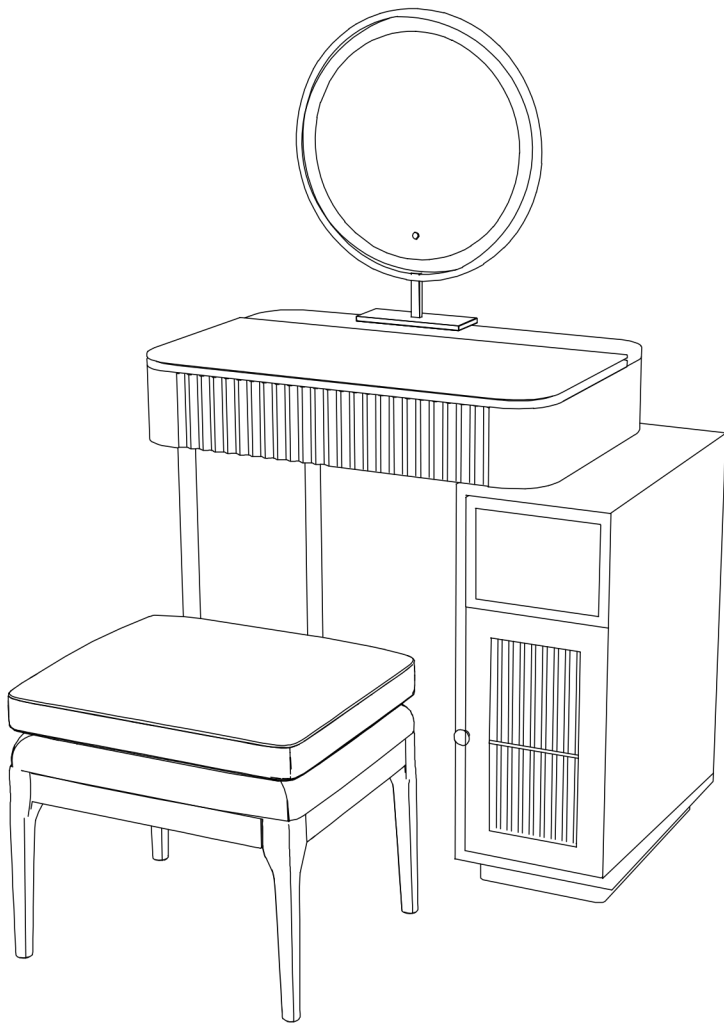



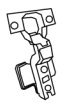



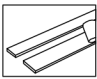

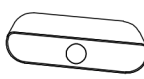


ASSEMBLY INSTRUCTION (STORAGE CABINETS ARE ON THE RIGHT) P1

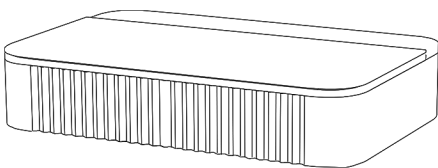
ITEM NO:FA139(AAA) RECOMMENDED INSTALLATION FOR TWO PEOPLE



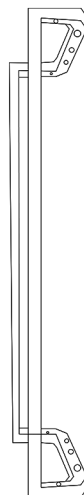
ACCESSORY DETAILS

Number	Description	Quantity
A 	3-in-1 screws	28
B 	3-in-1 buckle	28
C 	Lower plate support	4
D 	Door hinges	2
E 	Self-tapping screws	12
F 	Door pulls and screws	1 each
G 	Large flat screws	5
H 	Anti-slip rubber sticker	2
I 	Hole sticker	28
J 	LED sensor light (With USB charging cable)	2

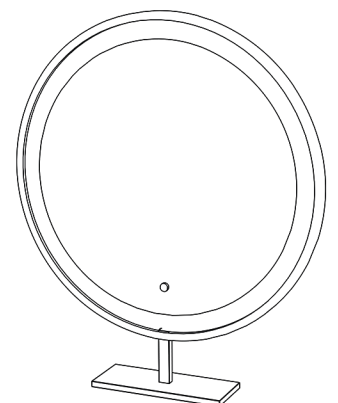
DRESSER COMPONENTS



Main Cabinet x1



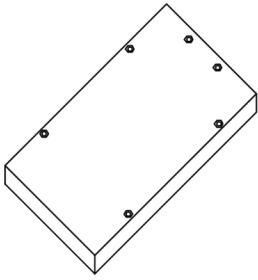
Stainless steel feet x1



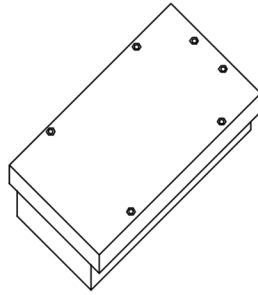
Mirror x1

STORAGE CABINET COMPONENTS

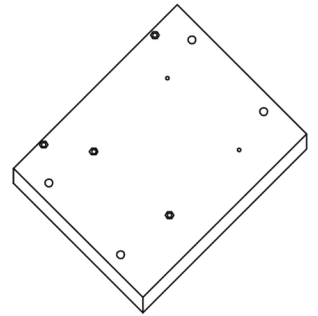
1 Top plate x1



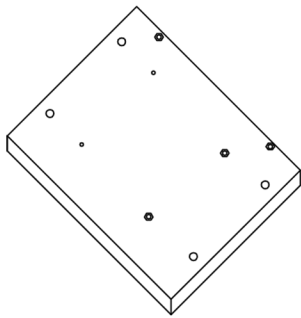
2 Base frame with base plate x1



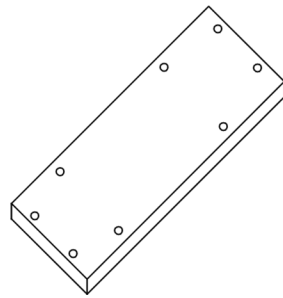
3 Left side plate x1



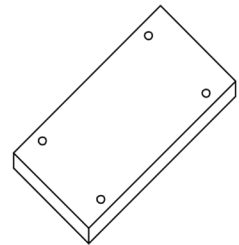
4 Right side plate x1



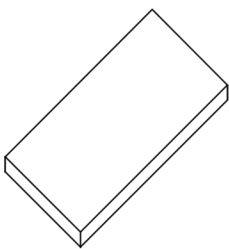
5 Back plate x1



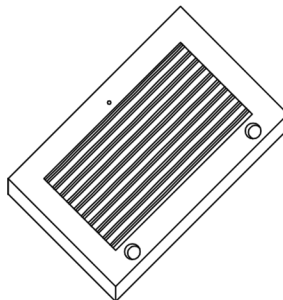
6 Upper support plate (fixed) x1



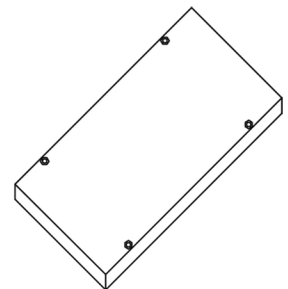
7 Lower support plate(movable) x1



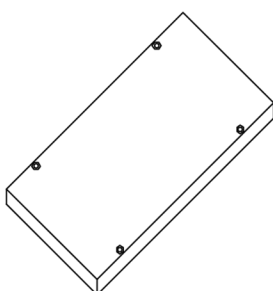
8 Doors x1



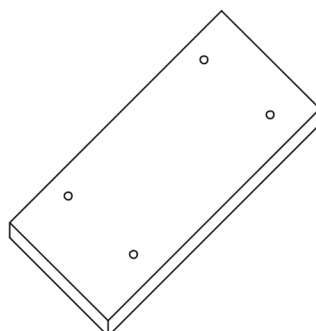
9 Inner box top plate x1



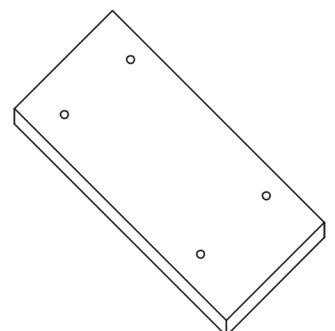
10 Inner box base plate x1



11 Inner box side plate x1

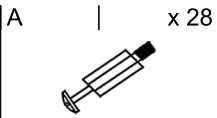
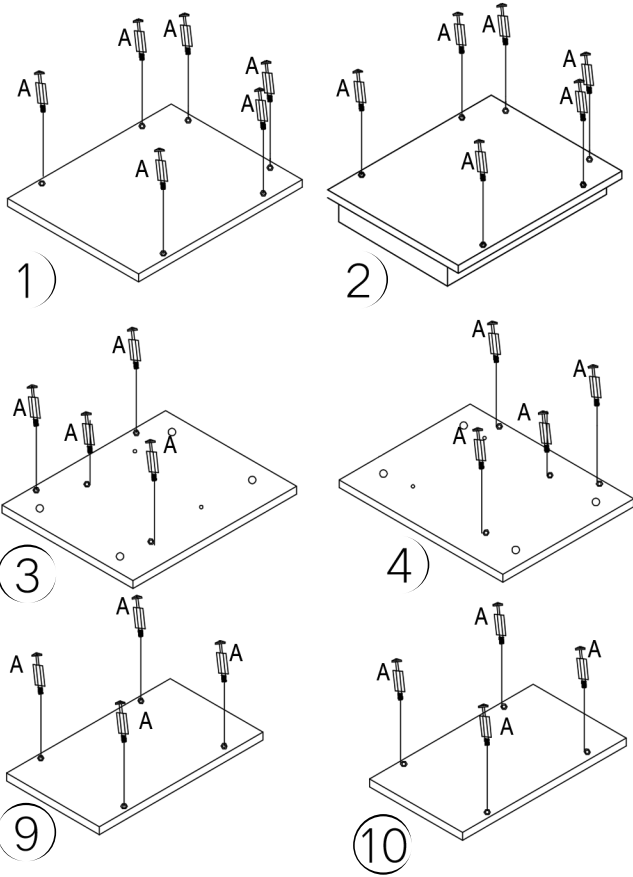


12 Inner box side plate x1

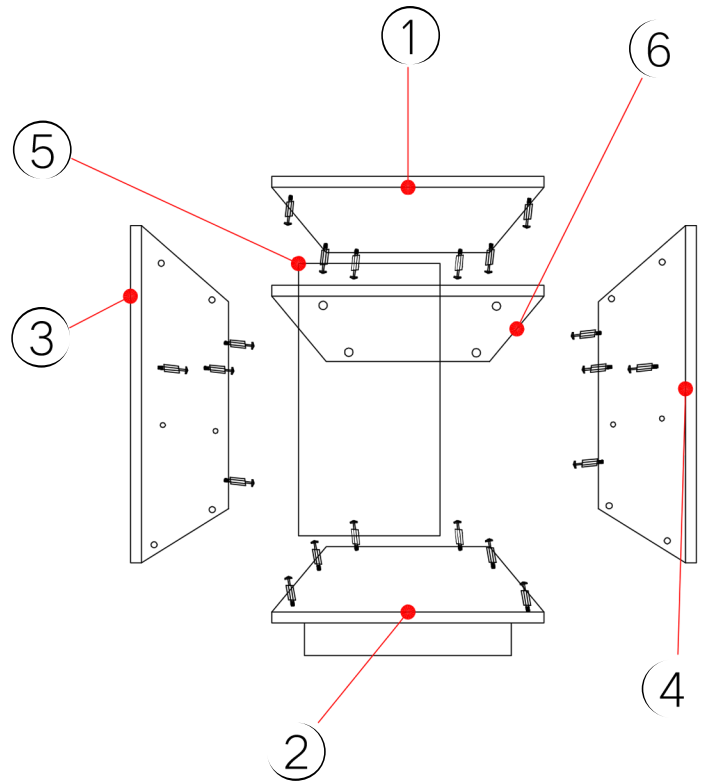


ASSEMBLY INSTRUCTION (STORAGE CABINETS ARE ON THE RIGHT) P3

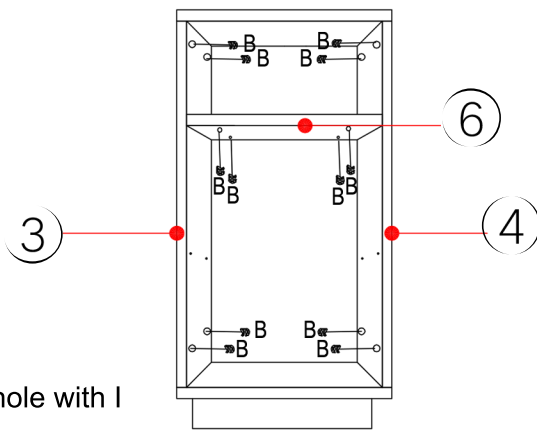
1 Install all A (3-in-1 screws) on the corresponding numbered plate



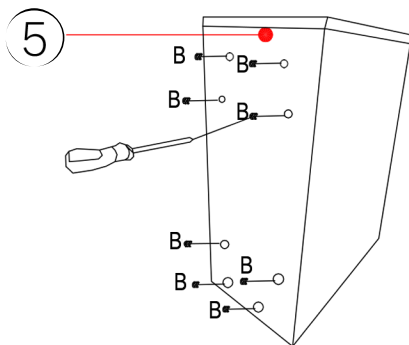
2 Assembly of plates 1~6



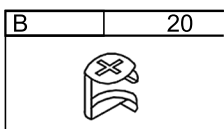
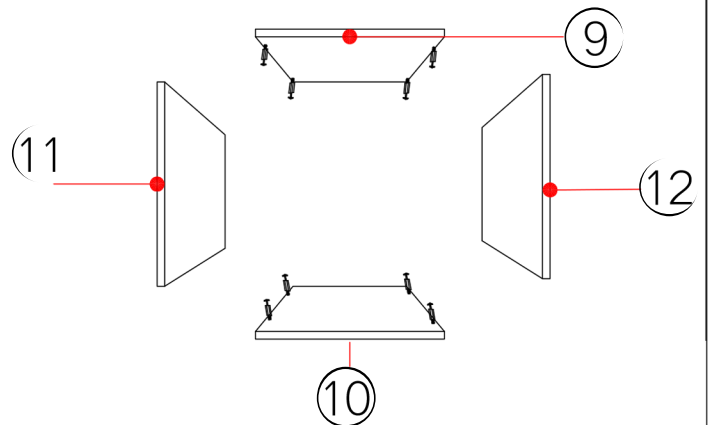
3 Use B (3-in-1 buckle) to fix



● Stick on the hole with I (hole sticker)

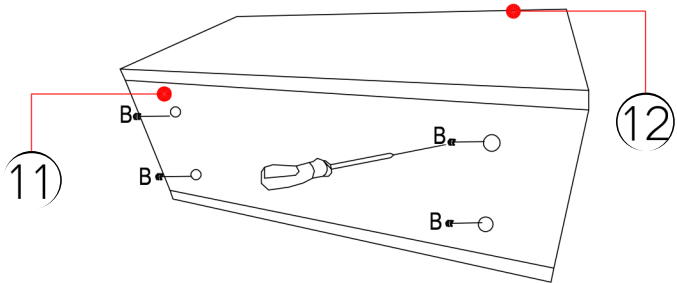


4 Assembly of plates 9~12

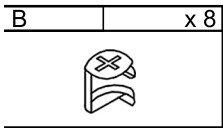


ASSEMBLY INSTRUCTION (STORAGE CABINETS ARE ON THE RIGHT) P4

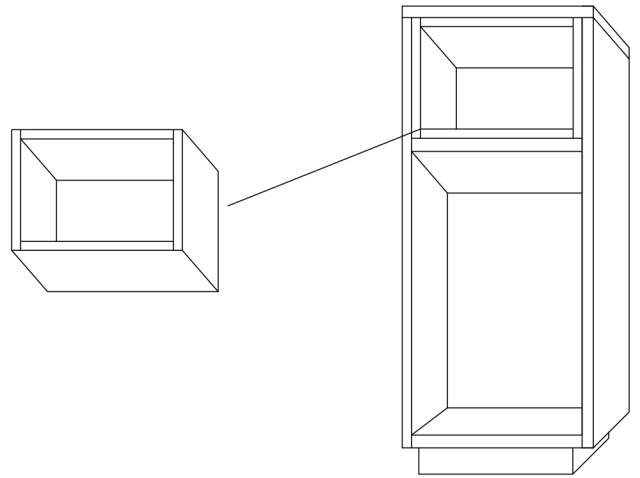
5 Use B (3-in-1 buckle) to fix



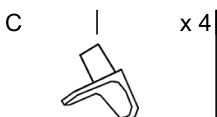
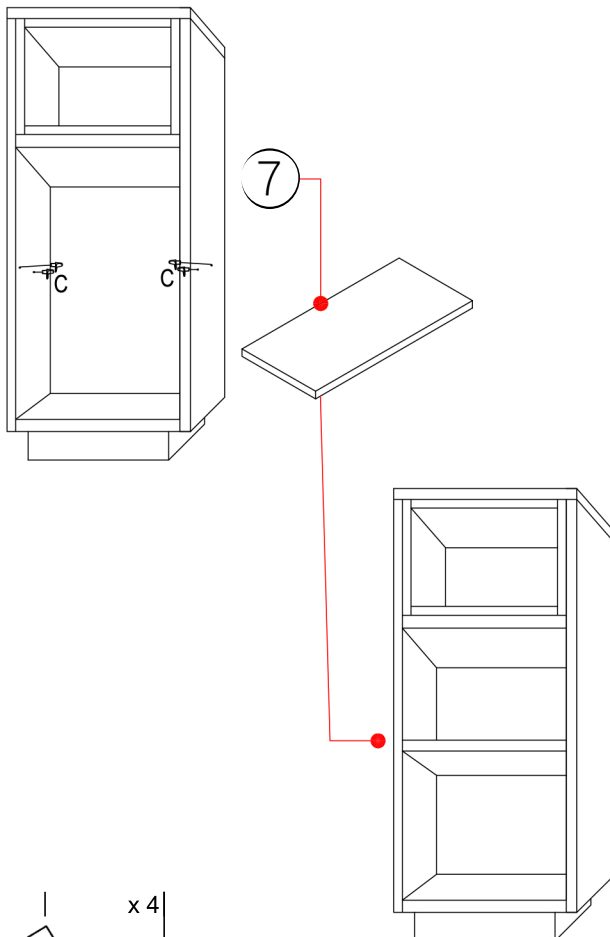
● Stick on the hole with I (hole sticker)



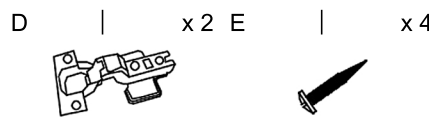
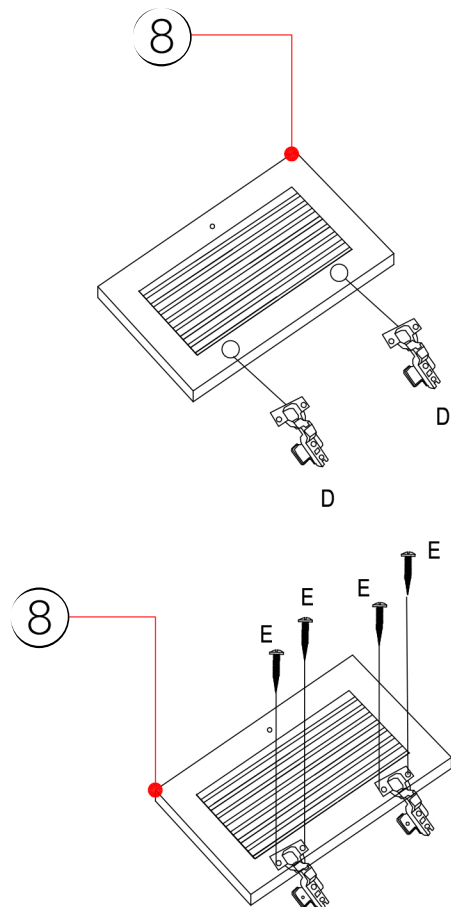
6 Place the inner box in the storage cabinet



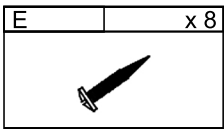
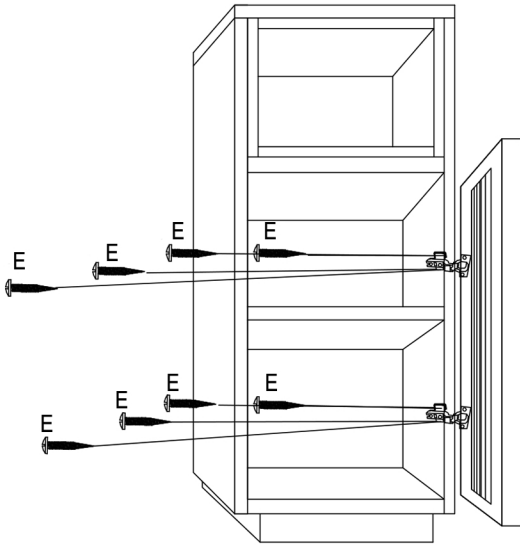
7 1. Installation C (lower panel support)
2. Assembly plate 7 (Lower support plate (movable))



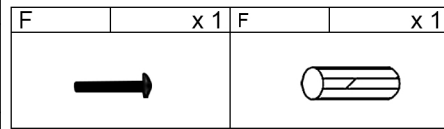
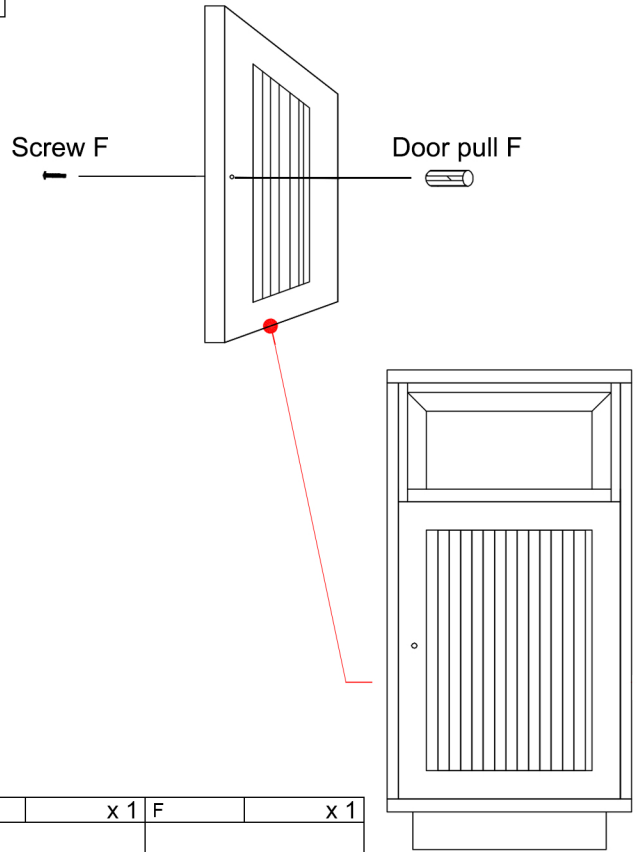
8 Installing D (Door hinges) on the door



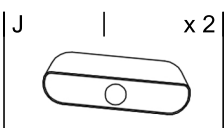
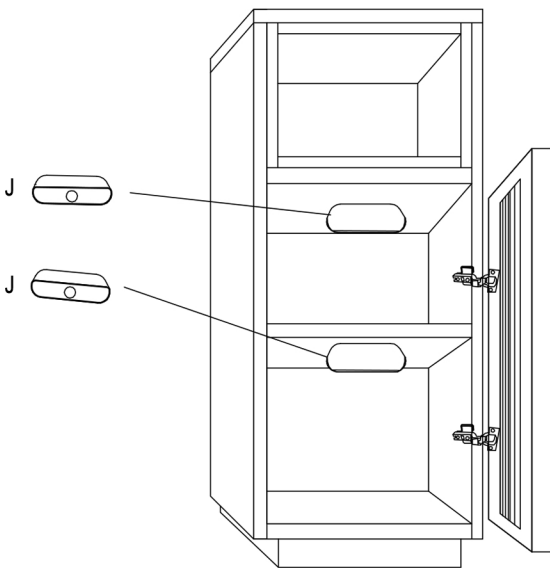
9 The door will be assembled on the storage cabinet, the corresponding position has the screw hole position of the door hinge posted, after installation, can be adjusted by the screws that come with the door hinge



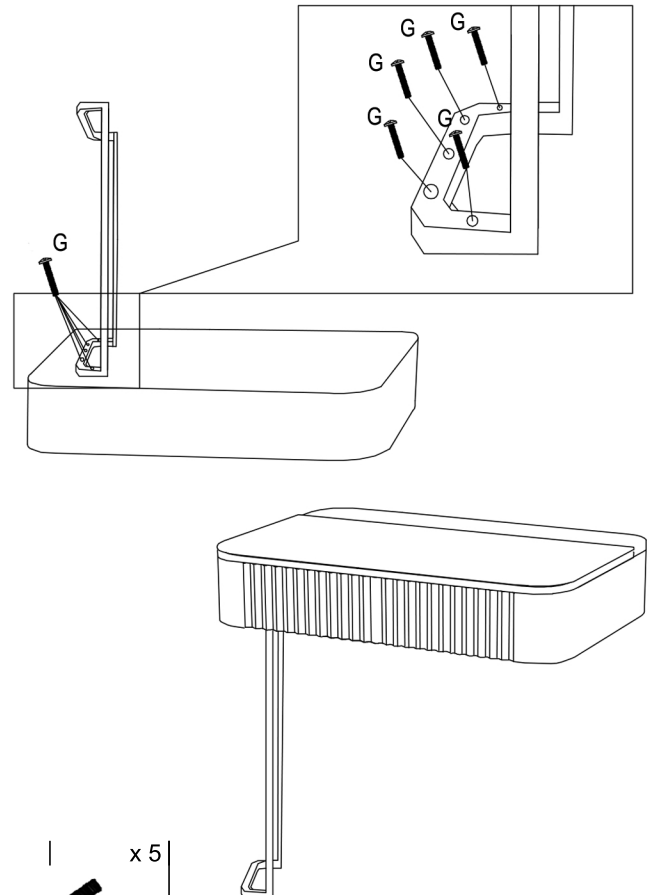
10 Assembly of door pulls



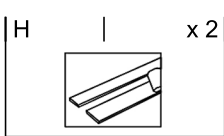
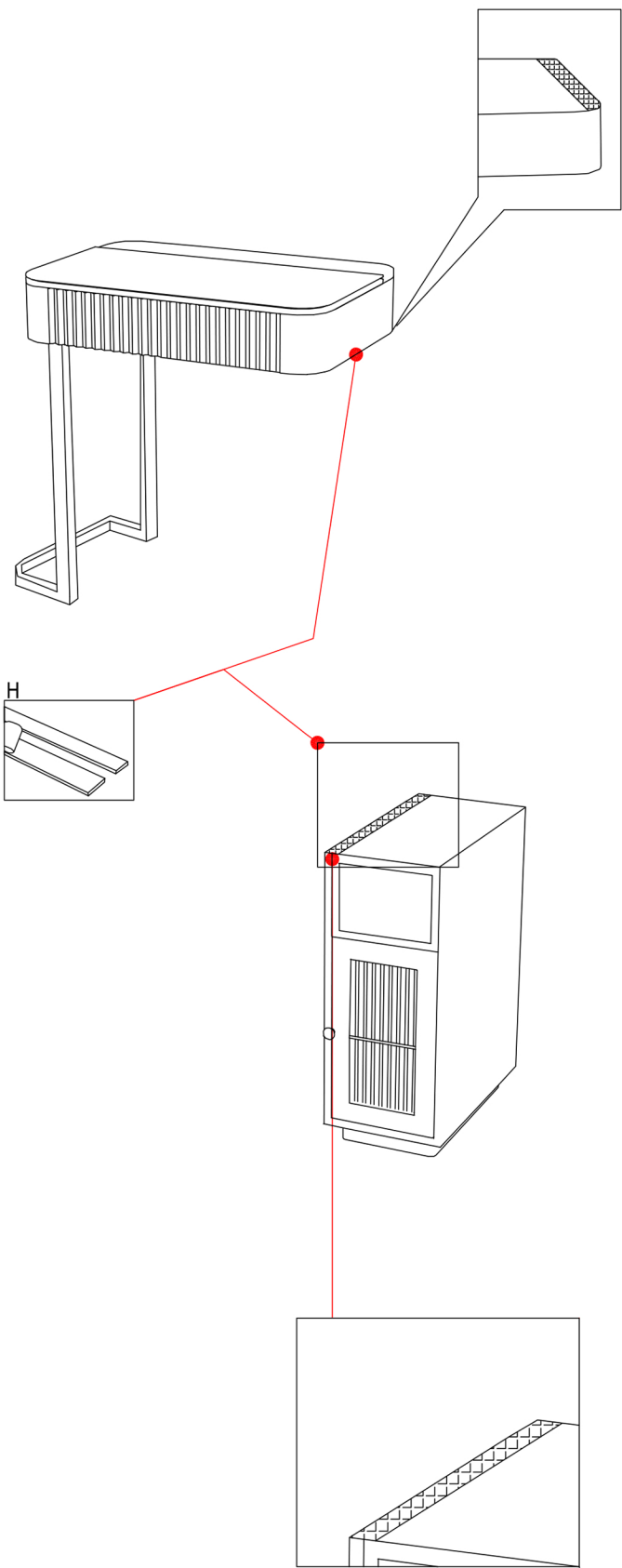
11 1. Installation of LED lights (peel off the adhesive backing paper and then stick it underneath the two laminates)
2. Can be taken out to charge when there is no power



12 Assembly stainless steel feet



13 Sticker anti-slip sticker (H), a piece of sticker on the leftmost side of the storage cabinet surface, and another piece of sticker on the rightmost side of the bottom of the main cabinet.



14 Combination completed
Adjustable height via screws on the bottom of the stainless steel feet

