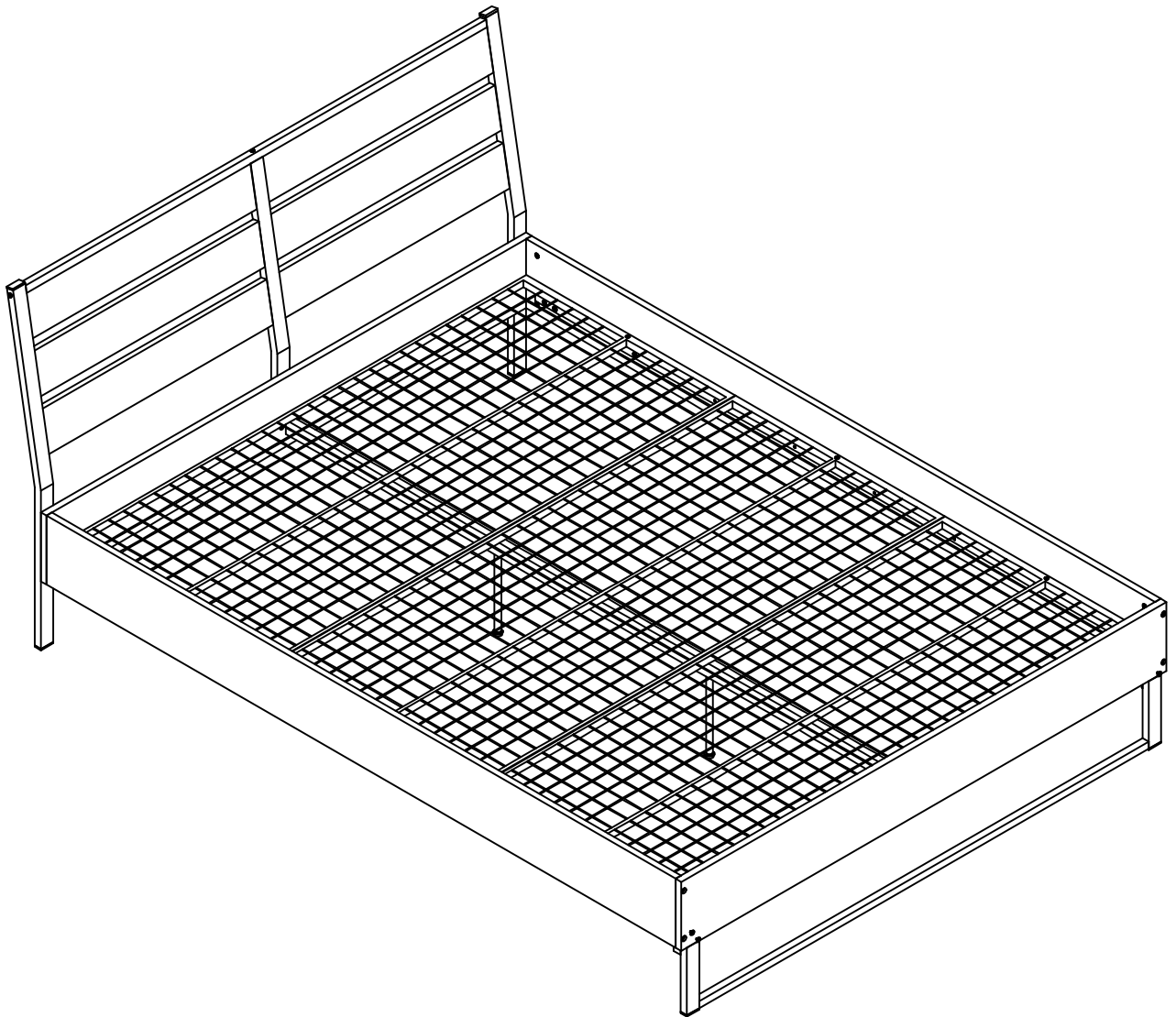


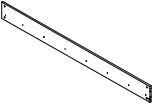
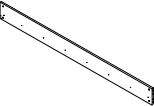
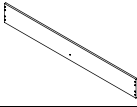
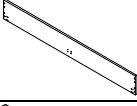
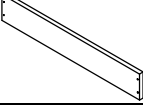
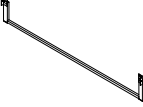




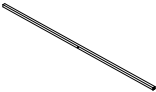
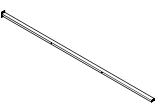
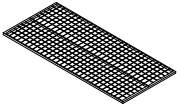
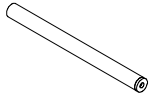
# ASSEMBLY INSTRUCTION

---

Thank you for purchasing the quality product. Be sure to check all packing material carefully for small parts which may have come loose inside the carton during shipment. Separate, identify and count all parts and metal hardware. Compare with all parts list to be sure all parts are present. If any part(s) are missing or damaged, please contact your local furniture dealer. For efficient and speedy service, please indicate the model number and code letter of part(s) needed.


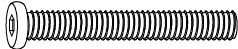



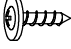
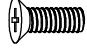


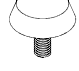




\*\* Do not fully tighten screws until fully assembled \*\*\*

COMPONENT PARTS			
DESCRIPTION	PART NAME	QTY(PCS)	
①	SIDE PANEL-RIGHT 	1	
②	SIDE PANEL-LEFT 	1	
③	HEADBOARD 	1	
④	FOOTBOARD 	1	
⑤	UPPER HEADBOARD 	6	
⑥	IRON FRAME OF BED END 	1	
⑦	IRON TUBE OF BED HEAD-RIGHT 	1	
⑧	IRON TUBE OF BED HEAD-LEFT 	1	
⑨	IRON TUBE OF BED HEAD-MIDDLE 	1	
⑩	IRON TUBE OF BED SIDE 	2	
⑪	IRON TUBE FOR UPPER HEADBOARD 	1	
⑫	SUPPORTIVE TUBE FOR BEDSTEAD 	1	
⑬	BEDSTEAD 	3	
⑭	STRENGTHENED PIPE FOR BEDSTEAD TUBE 	2	

## HARDWARE REQUIRED

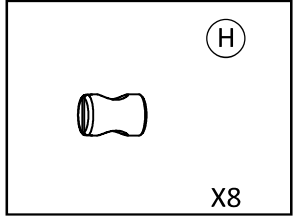
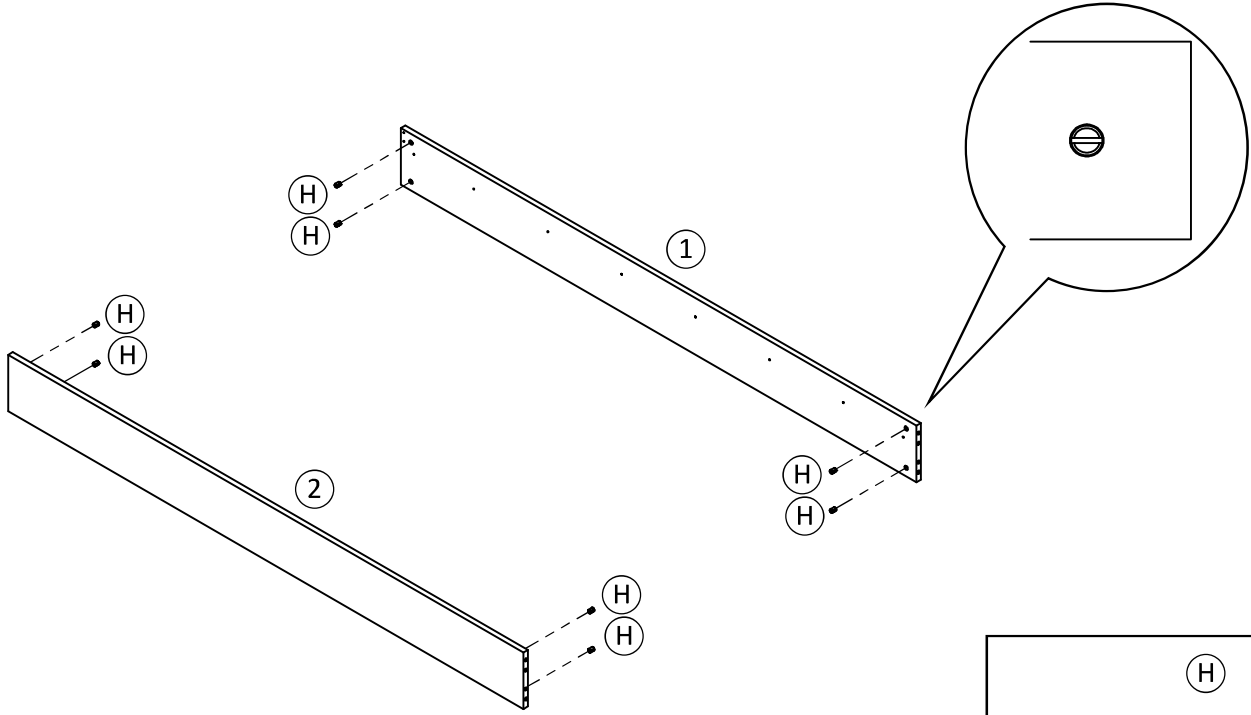
## **BOX:**

(A)		ALLEN BOLT	M8X80MM	4	PCS
(B)		ALLEN BOLT	M8X63MM	4	PCS
(C)		ALLEN BOLT	M6X63MM	6	PCS
(D)		PHILLIPS SCREW	M4X38MM	16	PCS
(E)		ALLEN BOLT	M6X35MM	6	PCS
(F)		PHILLIPS SCREW	M4X15MM	24	PCS
(G)		PHILLIPS SCREW	M6X14MM	16	PCS
(H)		CROSS HOLE NUT		8	PCS
(I)		WOODEN PEG		8	PCS
(J)		STUD		2	PCS
(K)		ALLEN WRENCH		1	PCS
(L)		ALLEN WRENCH		1	PCS

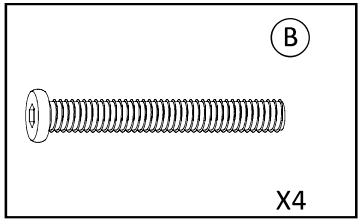
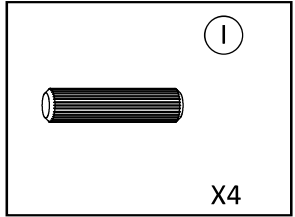
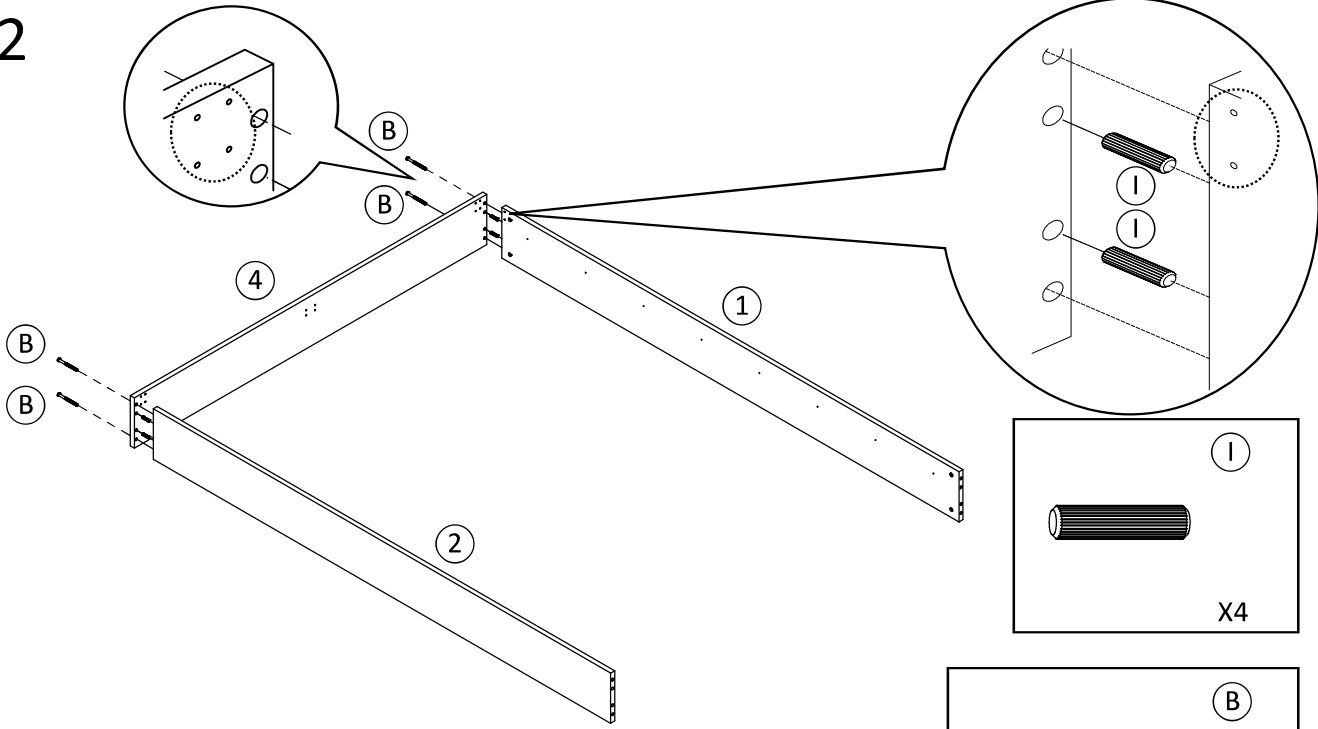
### Attention

\*\*\*Some number parts listed on the instruction sheet may not be in parts bag as they may already be assembled. Carefully check parts and packing materials prior to ordering replacements.

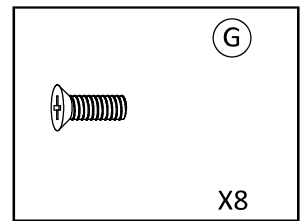
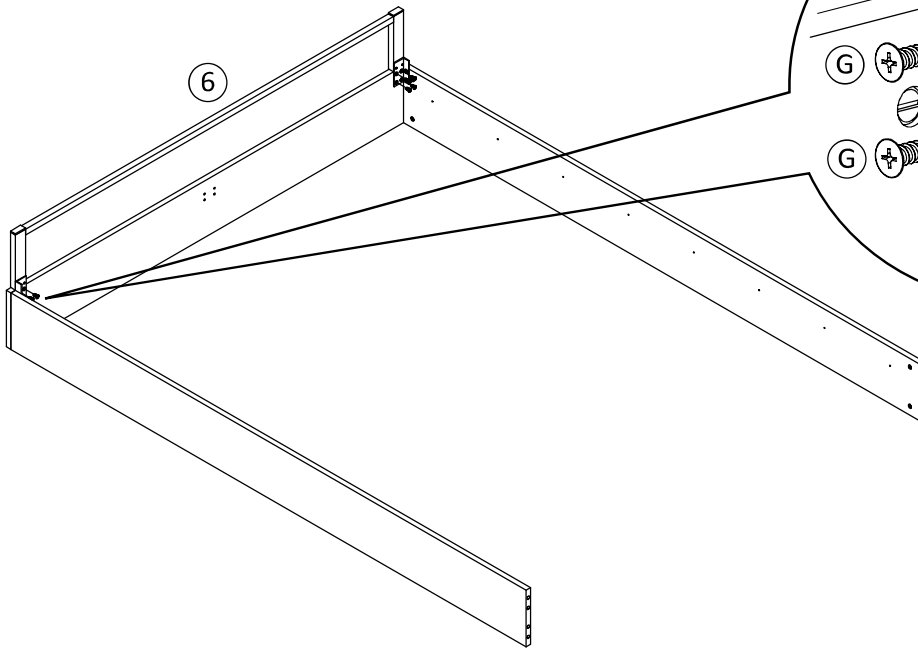
1



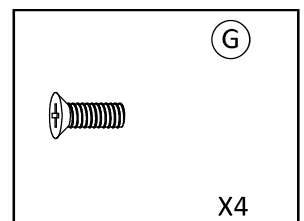
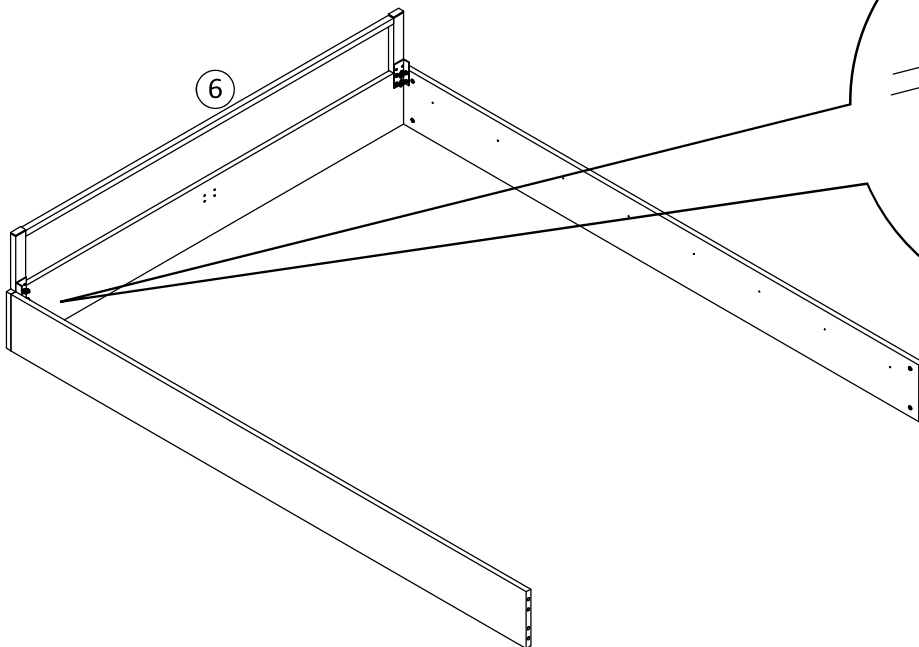
2



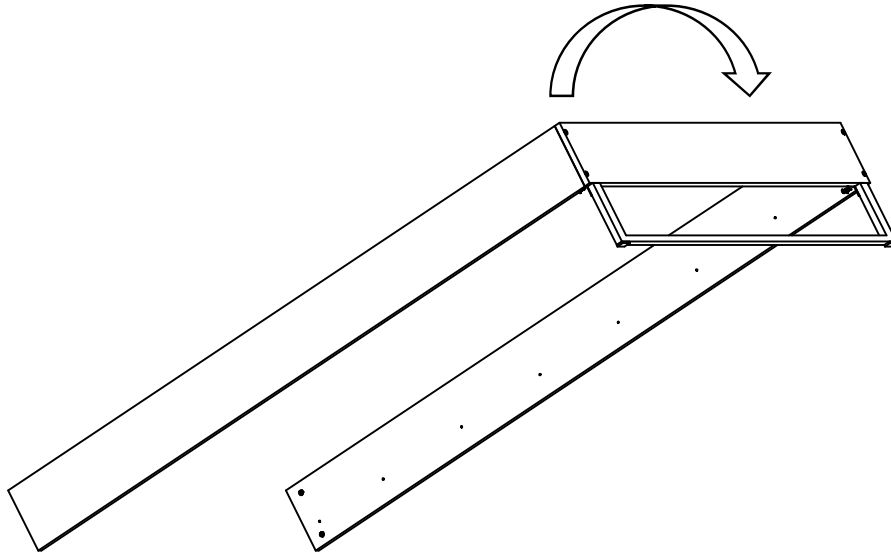
3



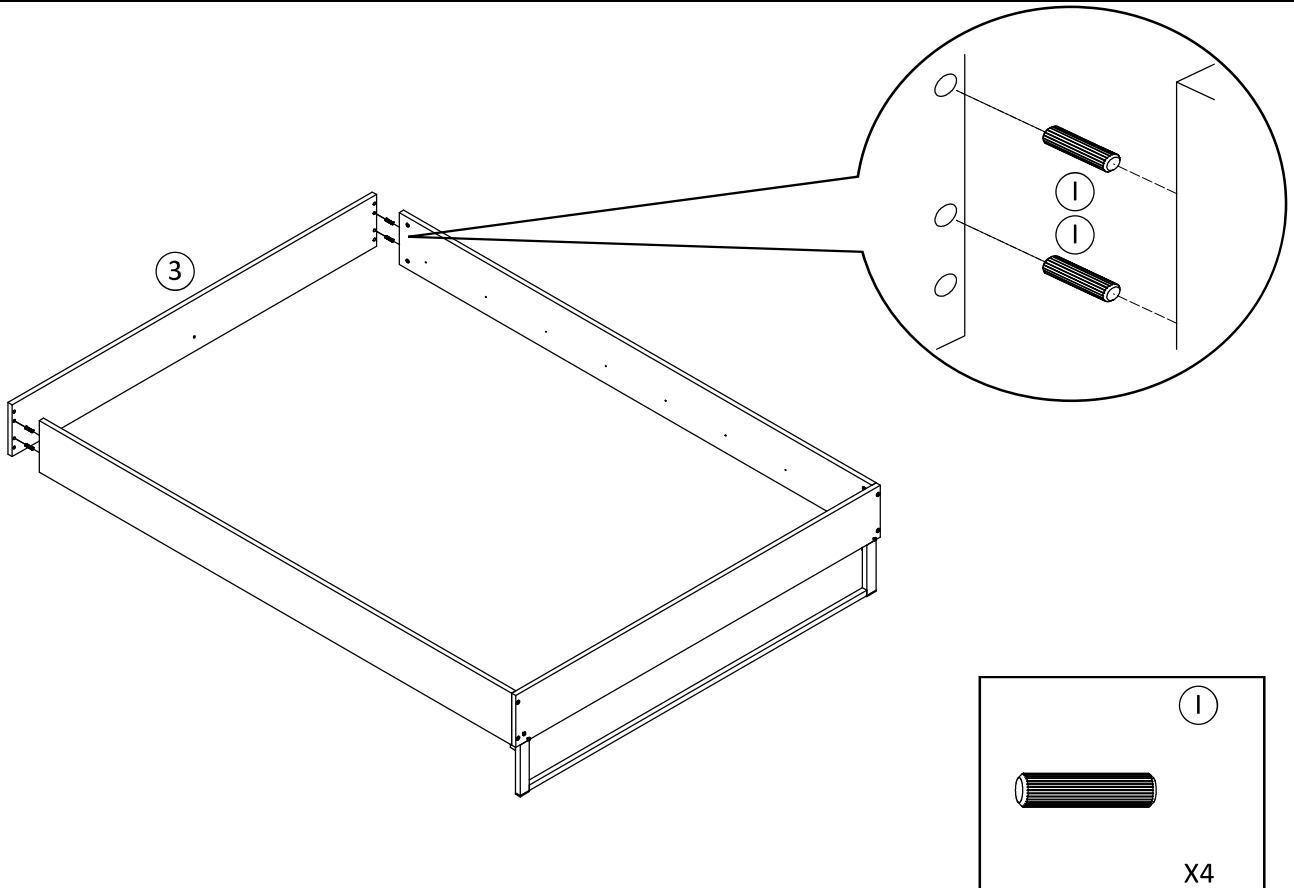
4



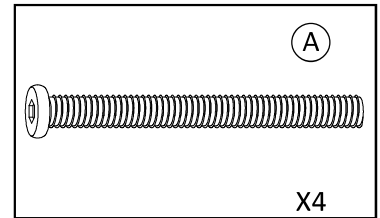
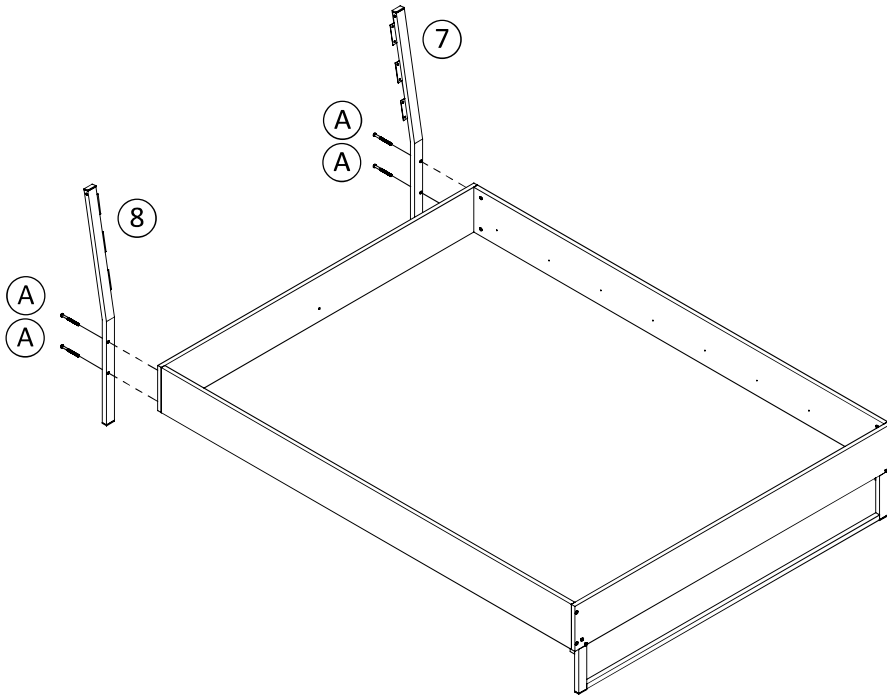
5



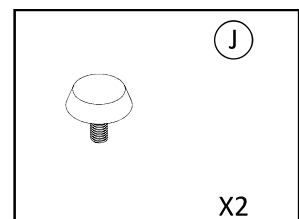
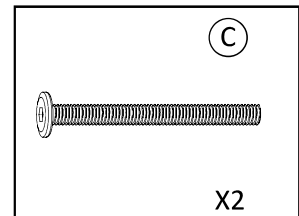
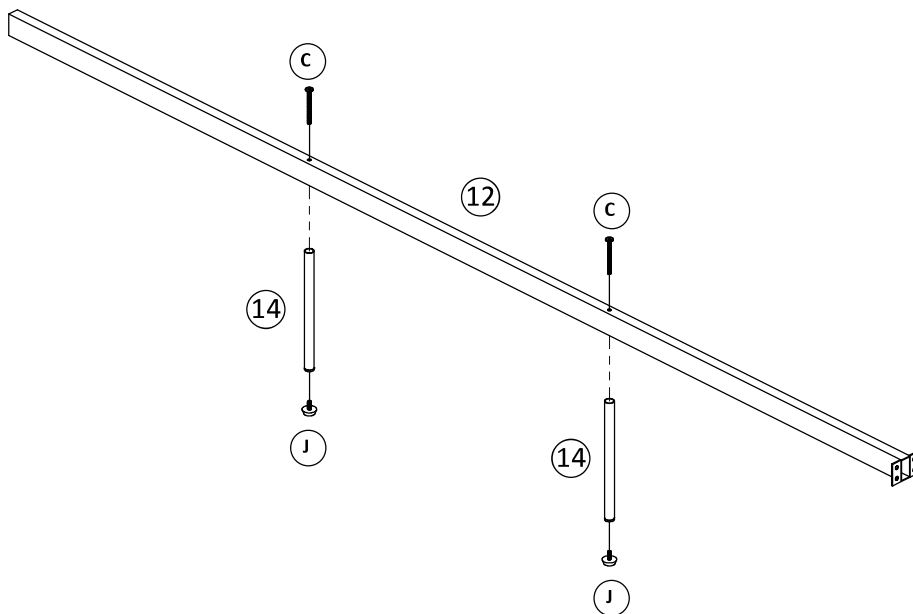
6



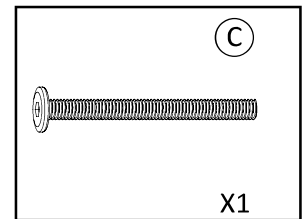
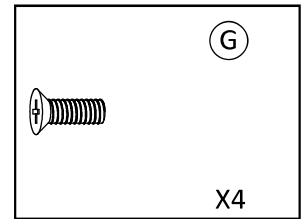
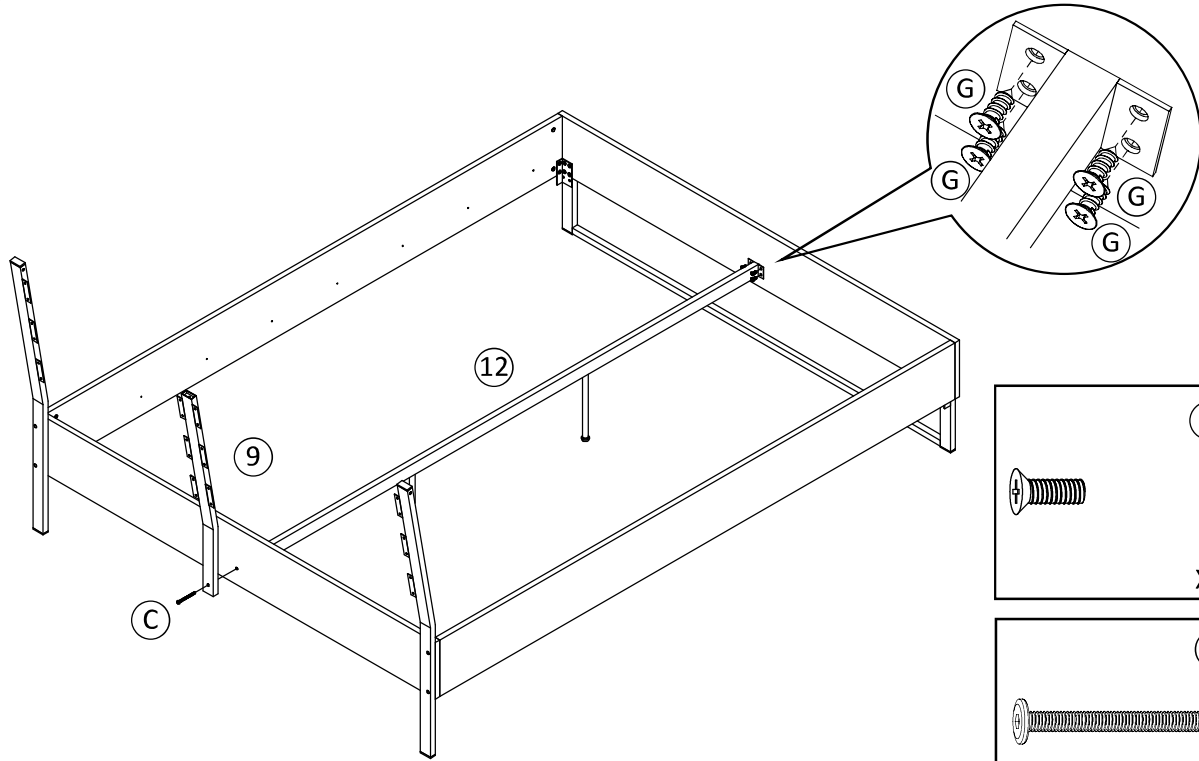
7



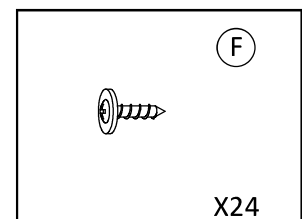
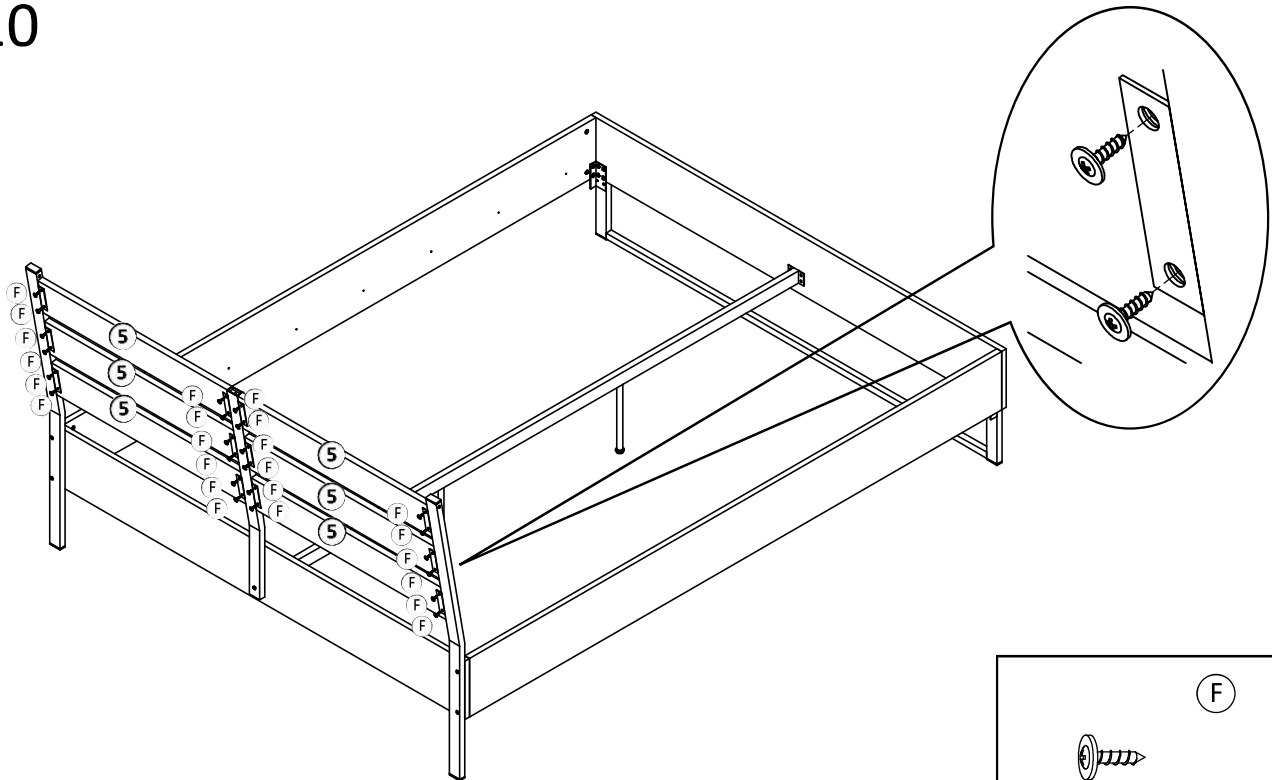
8



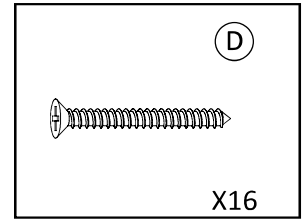
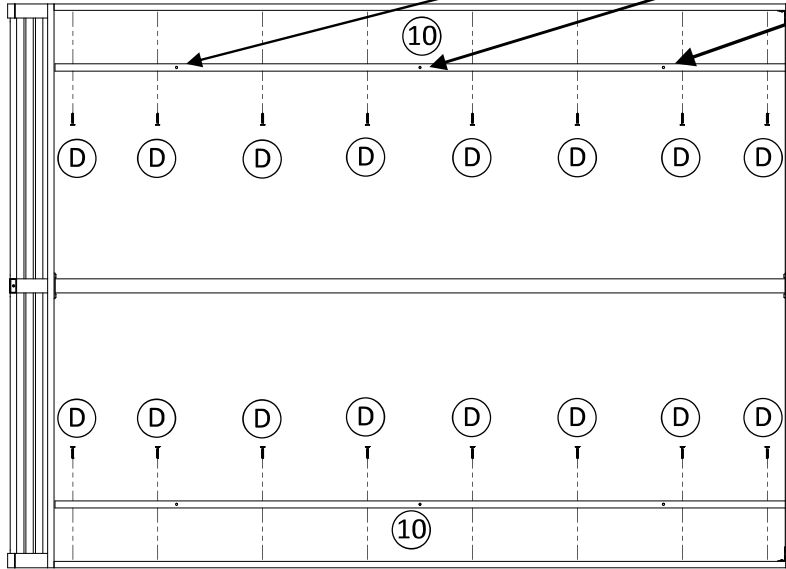
9



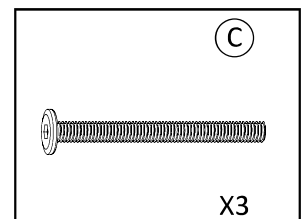
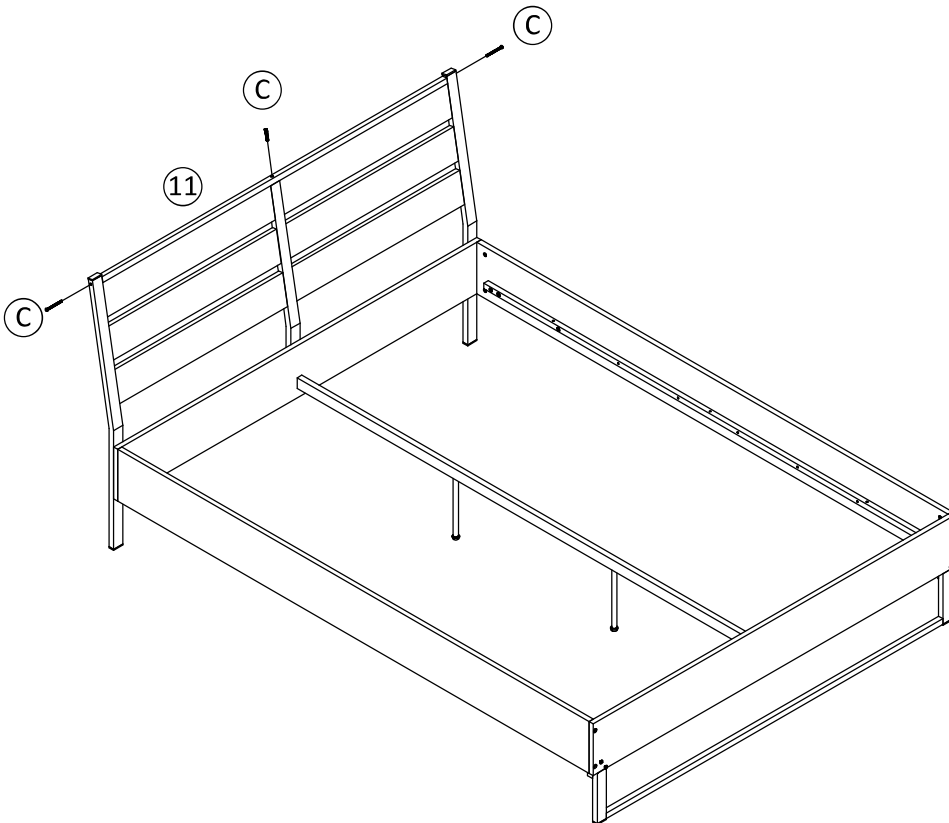
10



11



12



13

