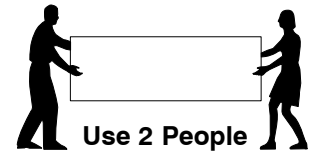
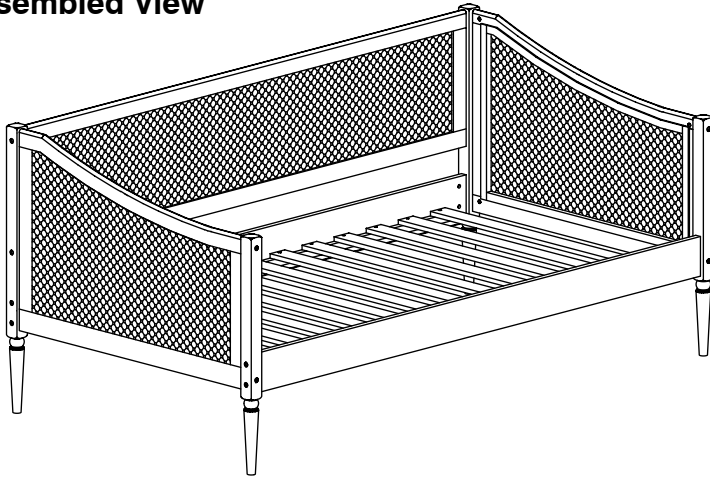


Daybed

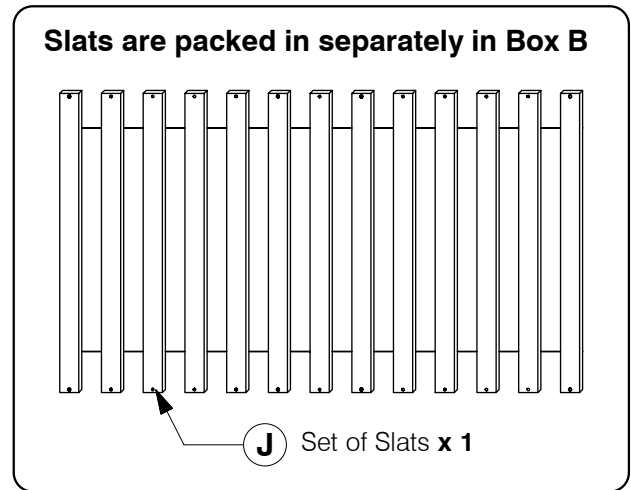
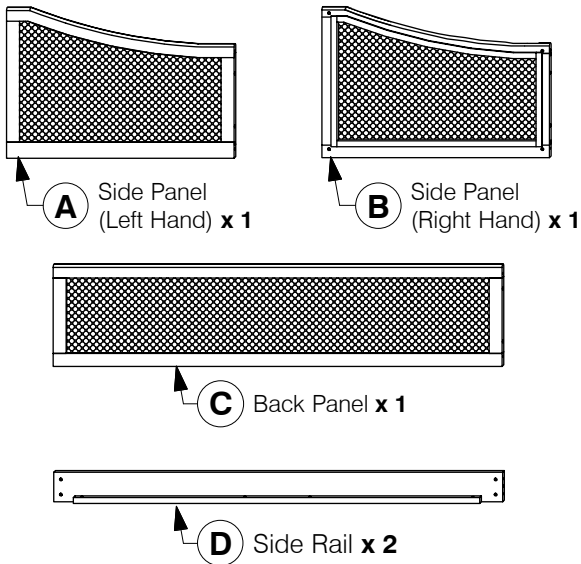
Assembly Instructions

1 Assembled View



Note: Do not assemble using power tools. This can cause the bolts to be overtightened

2 Parts in this Box

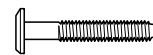


3 Hardware in this Box



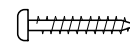
1 M6 x 90mm JCB
x 20

4 Barrel Nut x 20



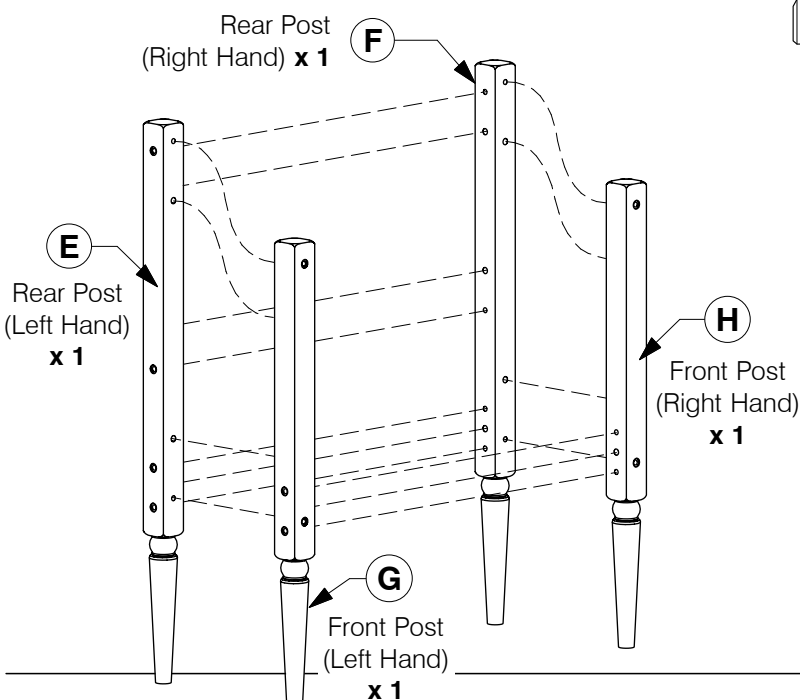
2 M6 x 40mm JCB
x 8

5 Wood Dowel (10 x 40mm)
x 16



3 Wood Screw (M4 x 32mm)
x 18

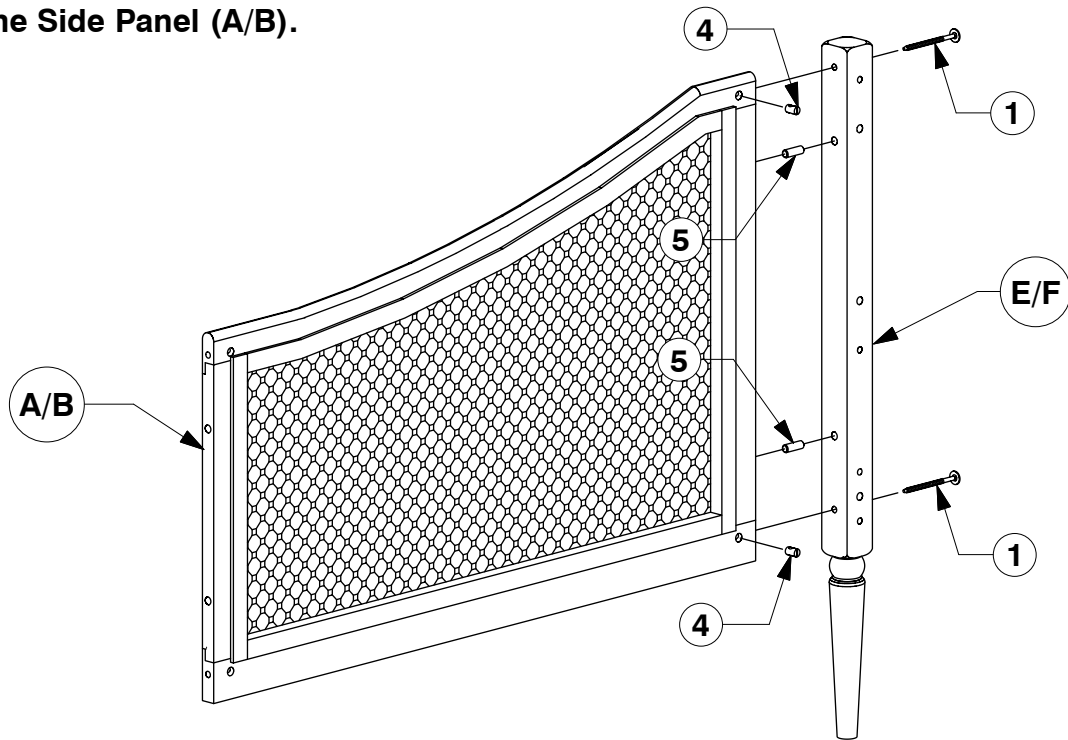
6 Allen Key
x 1



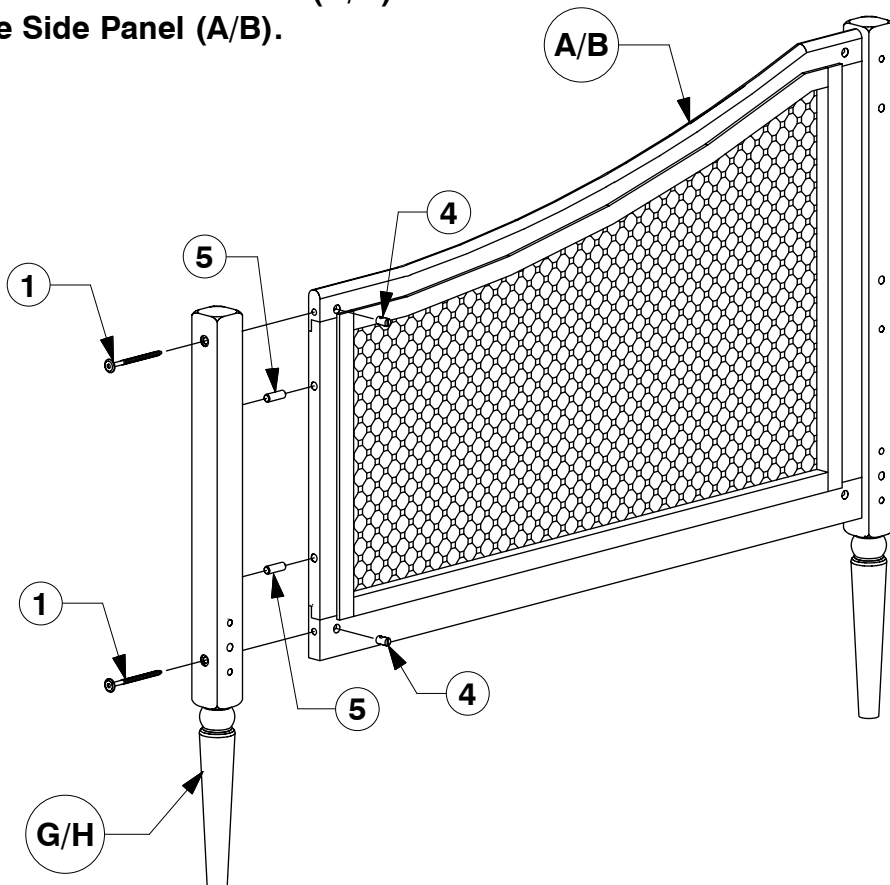
Daybed

Assembly Instructions

- 4** Assemble the Rear Post (E/F) to the Side Panel (A/B).



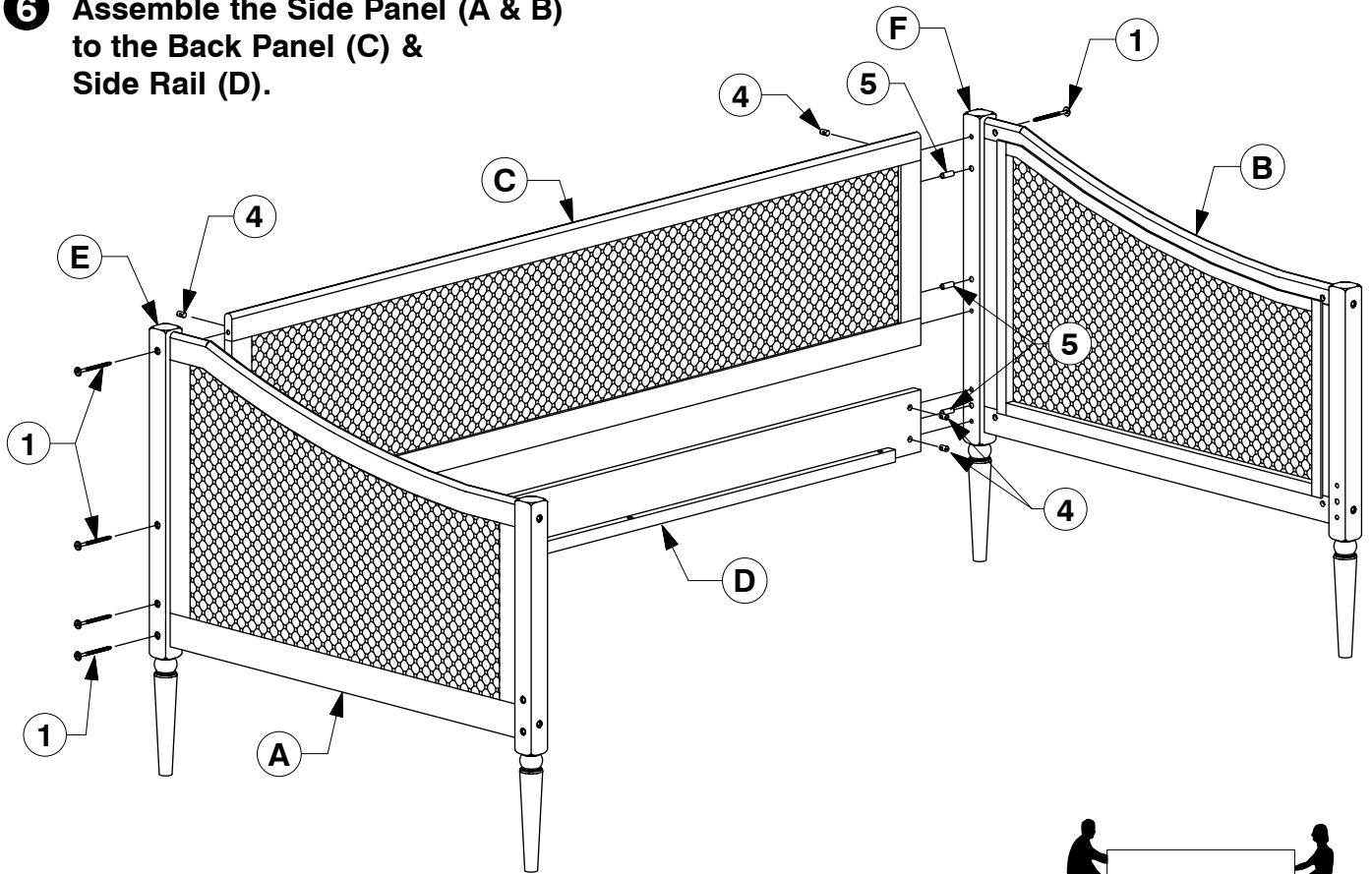
- 5** Assemble the Front Post (G/H) to the Side Panel (A/B).



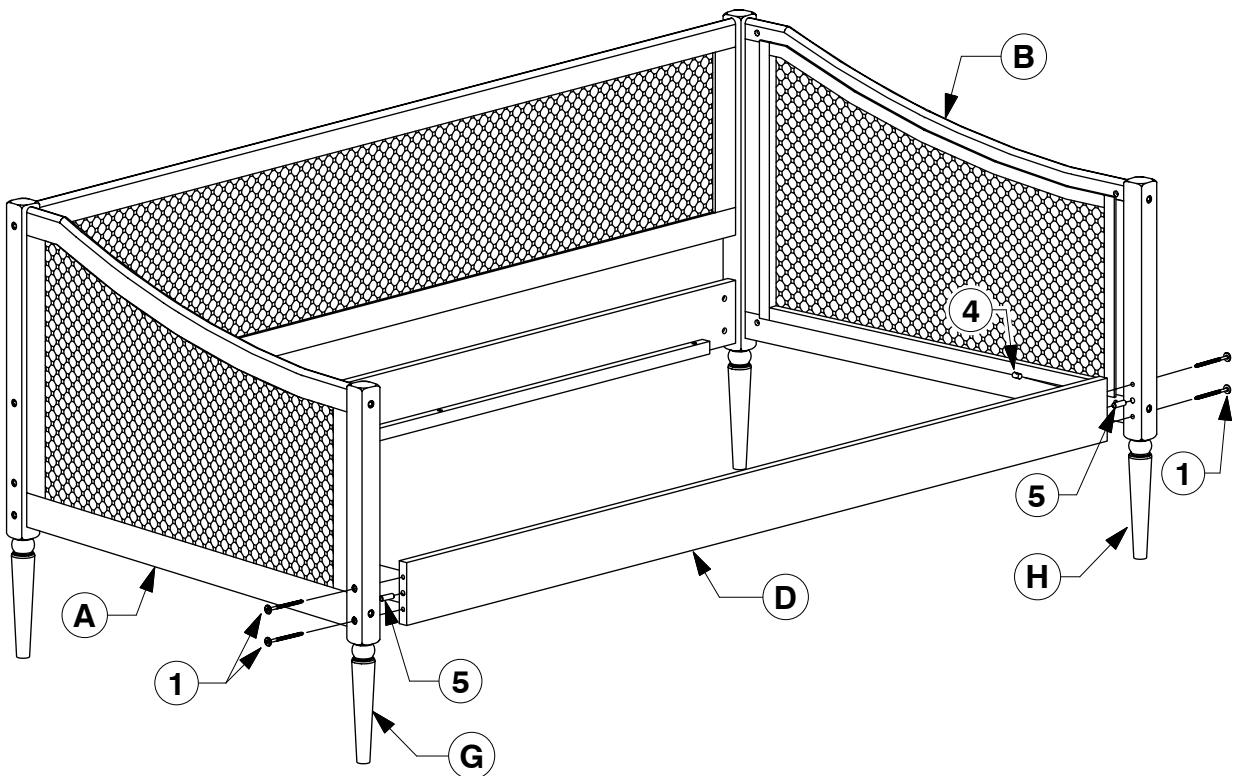
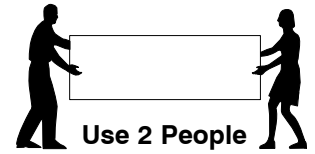
Daybed

Assembly Instructions

- 6** Assemble the Side Panel (A & B) to the Back Panel (C) & Side Rail (D).



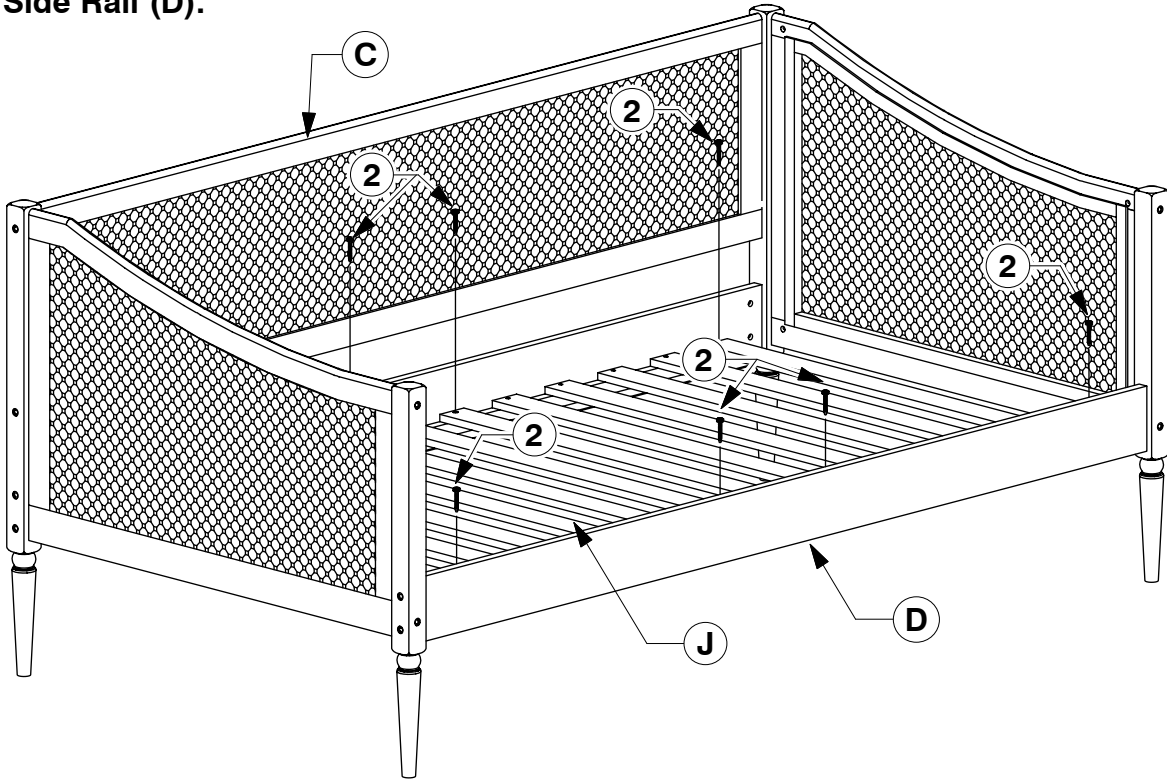
- 7** Assemble the Side Rail (D) to the Front Post (G & H).



Daybed

Assembly Instructions

- 8** Bolt the Set of Slats (J) between the Side Rail (D).



- 9** Screw the Set of Slats (J) between the Side Rail (D).

