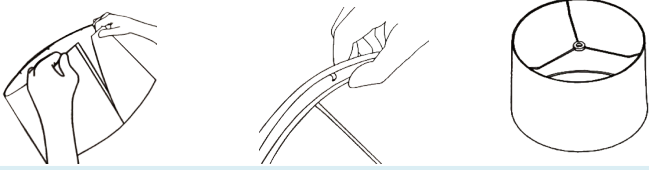


To better protect the lampshade from damage during transportation, it arrives rolled, and you may notice wrinkles or creases on the edges when you first put it up. Do not be alarmed; this is not a permanent issue or defect. Be prepared for the possibility that it may take several days or weeks for the lampshade to regain its natural shape.

## Please follow these guideline to make lampshade :

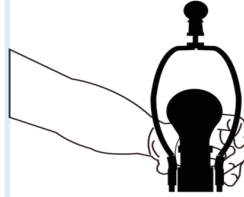
### First

Assemble the shade by attaching the sides together using Velcro. Align the frame with the edge of the lampshades and secure it in place using fasteners. Repeat the process for the second frame. Ensure that the frames are firmly attached and the lampshades are tightly stretched.



### Second

Install the harps onto the lamp base by positioning them over the sockets. Next insert the bulb into the socket and rotate it clockwise until it is securely in place. (bulbs are not included).



### Third

Once the lampshade is positioned correctly, screw the finial into place to hold it securely. (If the lamp shade is slanted, adjust the base of the finial to make it level).



1. Unpack all parts from cartons carefully.

2. Put frame (B) on the floor follow left image, then screw the tubes (C) into the frame (B) until tight.

3. Tube (C) and Tube (E) pass through MDF (D) and are screwed together until tight.

4. Tube (E) and Tube (G) pass through MDF (F) and are screwed together until tight.

5. Pull cord through MDF (B) and across the lamp socket (A) to the MDF (B) and screw (L) nut to tight the lamp socket (A) until tight.

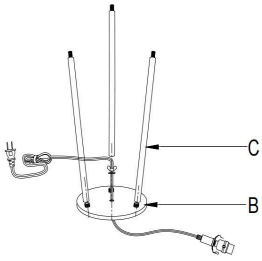
6. Place the harp (I) onto the saddle (H) of lamp socket.

7. Place the shade (J) onto the harp (I), then tighten the finial (K) into the harp (I) until tight.

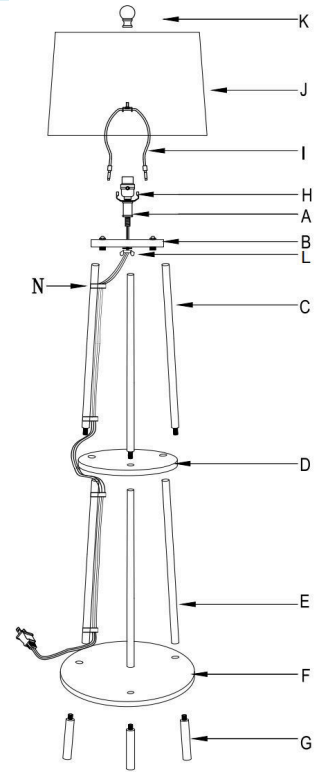
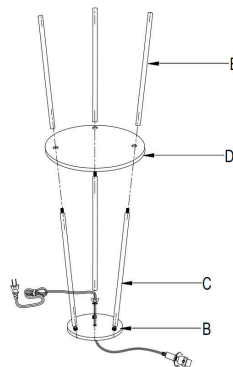
8. Clamp the wire by plastic snap (N) to hold the wire on tube (C) and tube (E).

9. Please use the attached balance kits to do inclination adjustment if the lamp body seemed to be slant after finished assemble.

1-2

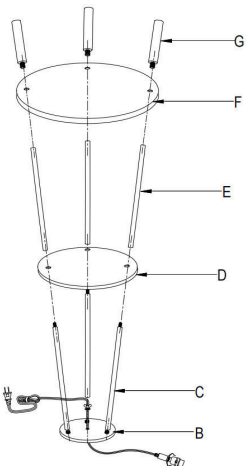


3



5-9

4



# 4 MODERN HOME



Please scan code for installation video

## CAUTION : Risk of fire

Please read all instruction carefully. Before you proceed to install , make sure that the power supply is turned off and remains off until installation is completed.



## PARTS INCLUDED

A	Lamp socket	X 1
C	Tube	X 3
B/D/F	MDF	X 3
E	Tube	X 3
G	Tube	X 3
H	Saddle	X 1
I	Harp	X 1
J	Shade	X 1
K	Finial	X 1
L	Nut	X 1
N	Plastic snap	X 6

Warning: If any special control devices are used with this fixture, follow the instructions carefully to assure full compliance with N.E.C. requirements. If there are any questions, contact a qualified electric contractor.

Warning: California Residents Proposition 65  
This product contains lead, a chemical known to the state of California to cause cancer and birth defects or other reproductive harm. Do not place the product in your mouth. Wash your hands after handling this product.

Caution: It is highly recommended to get an electrician to install this light. Please make sure to turn the electricity off at the main circuit breaker before beginning installation. All glass is fragile. Use care when handling glass component(s) and/or lamp(s).