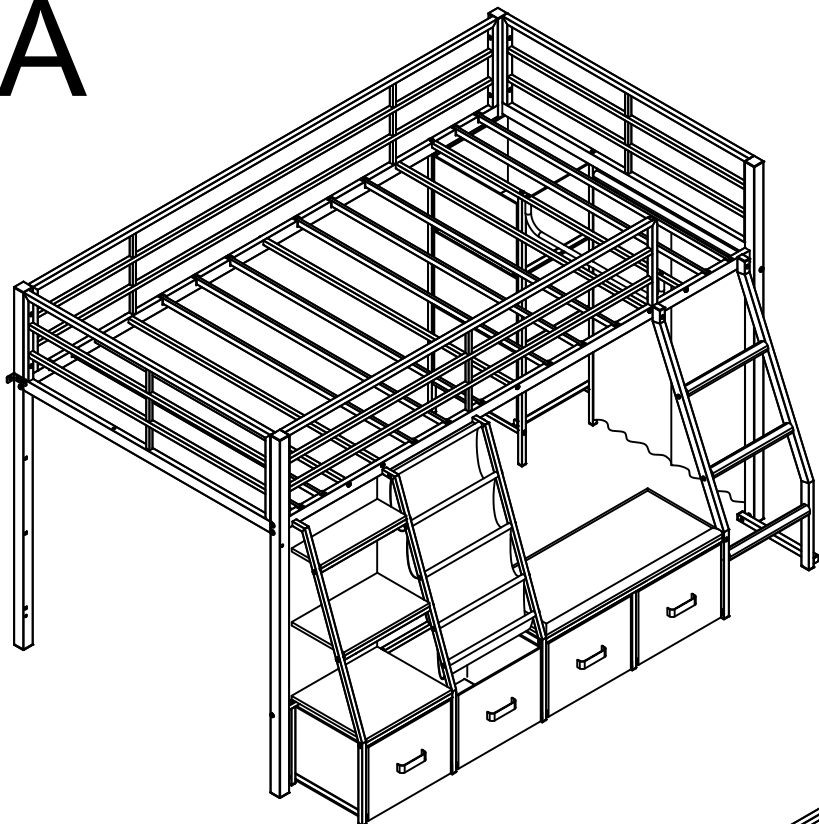
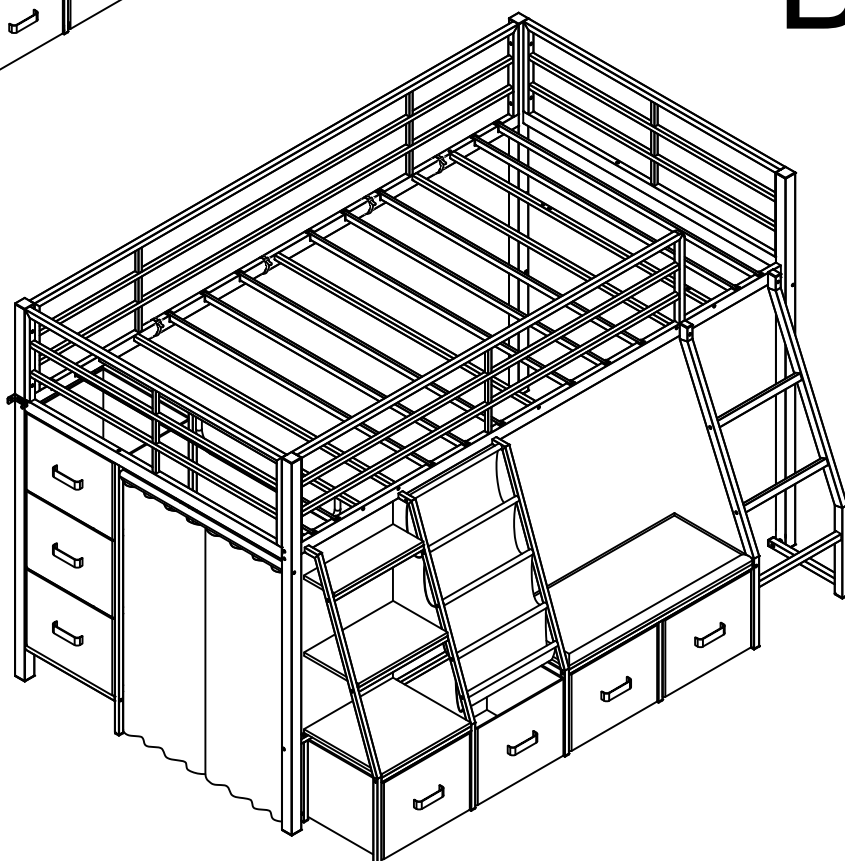


Loft Bed

A

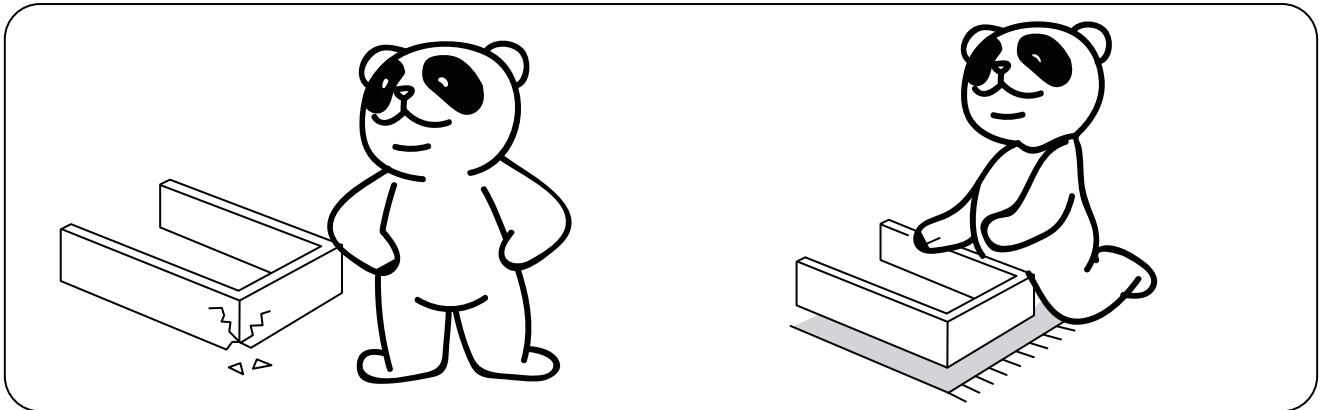
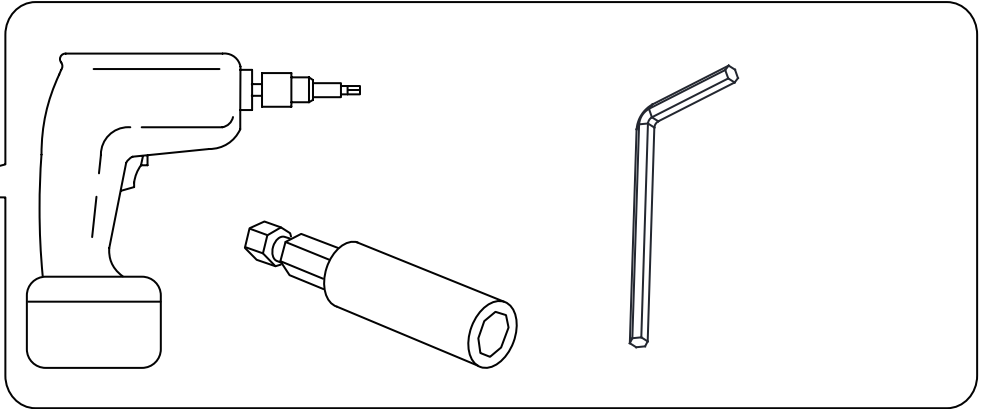


B

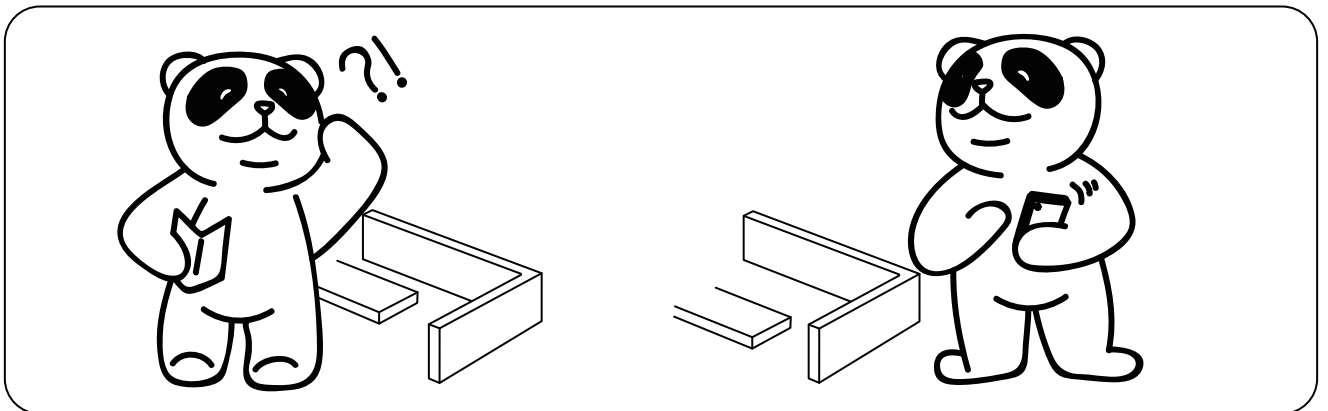


There are two ways to place the fabric drawer under this bed as indicated in steps one and two. Please assemble it according to your desired effect

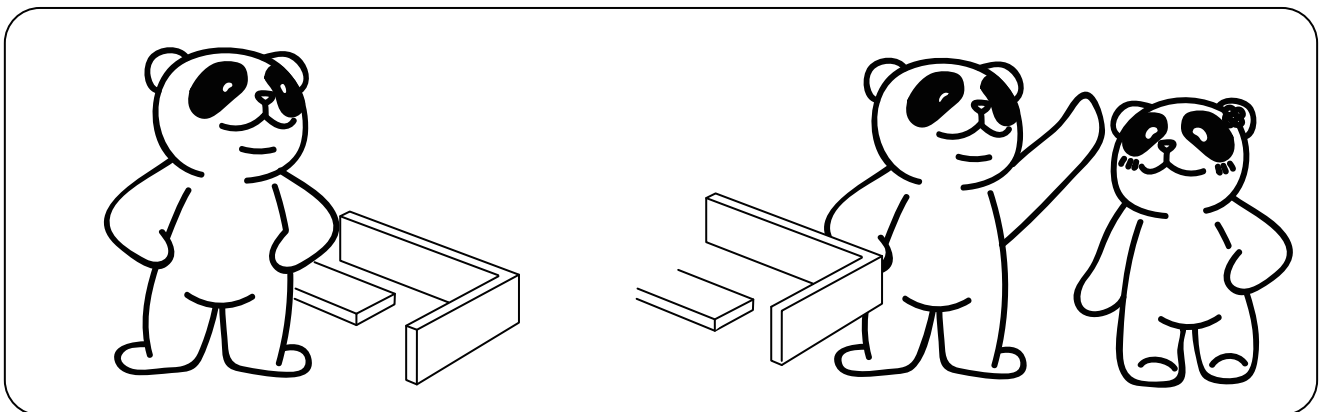
Version 1.0



Violent installation is prohibited



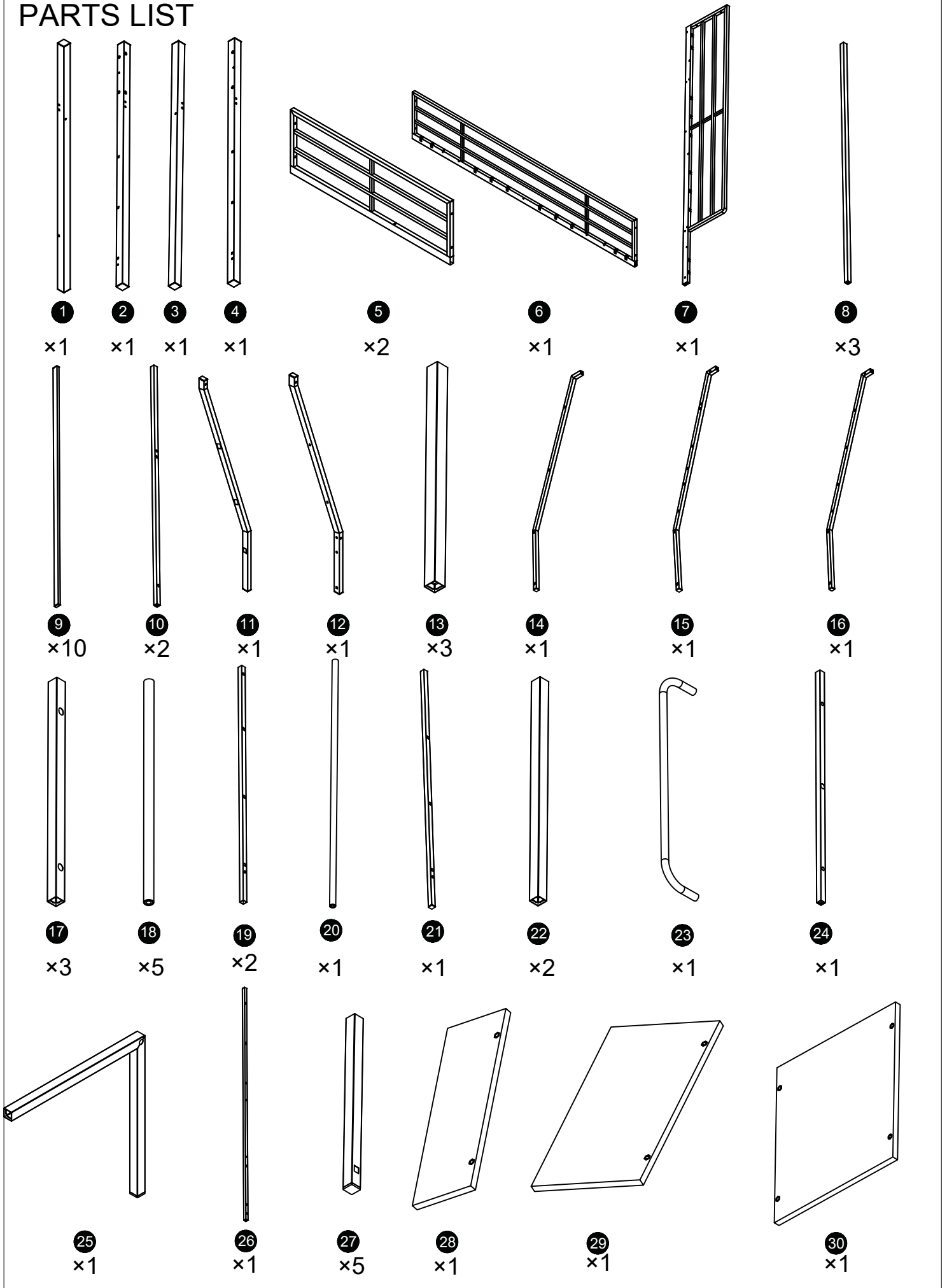
Please call if you need help



Multi-person cooperation is recommended

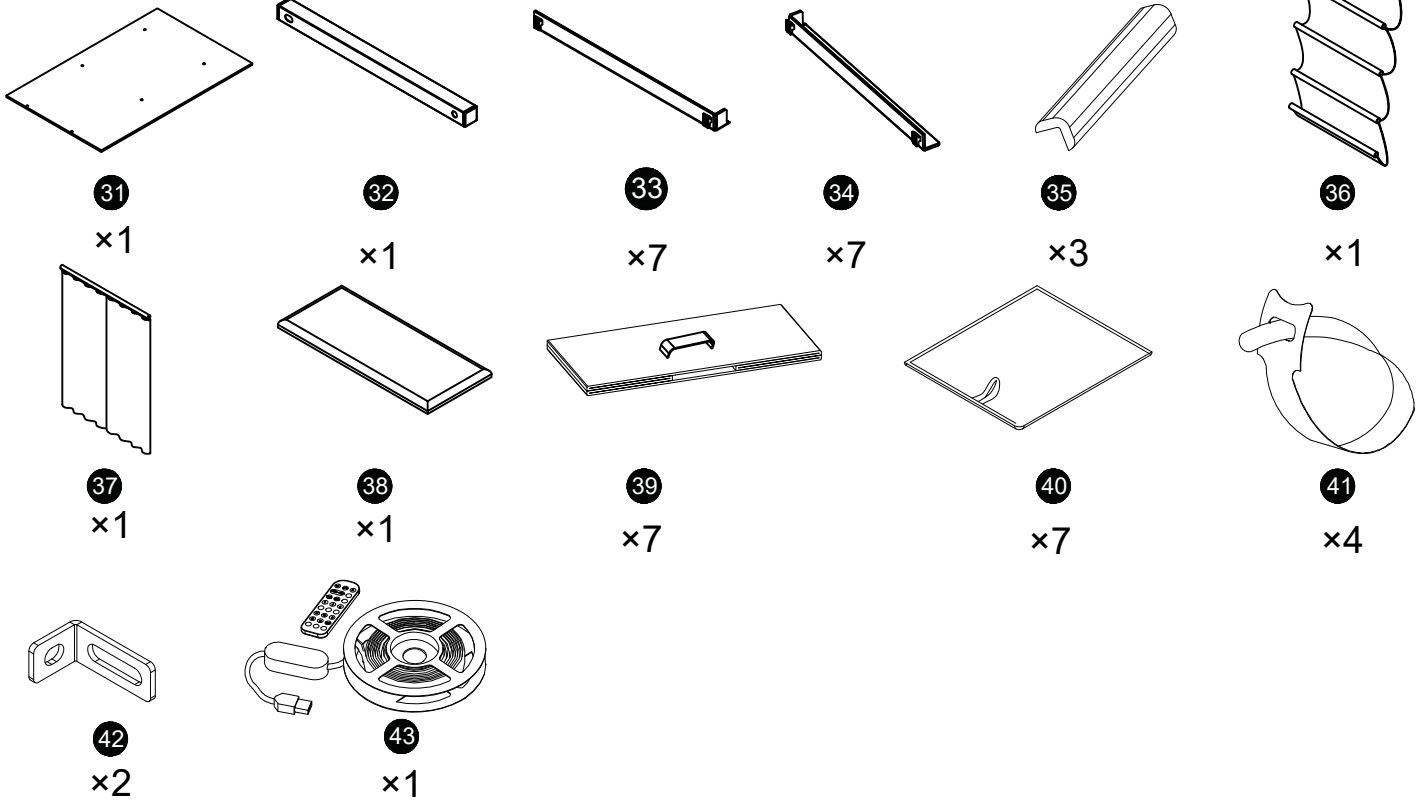
Install parts

PARTS LIST

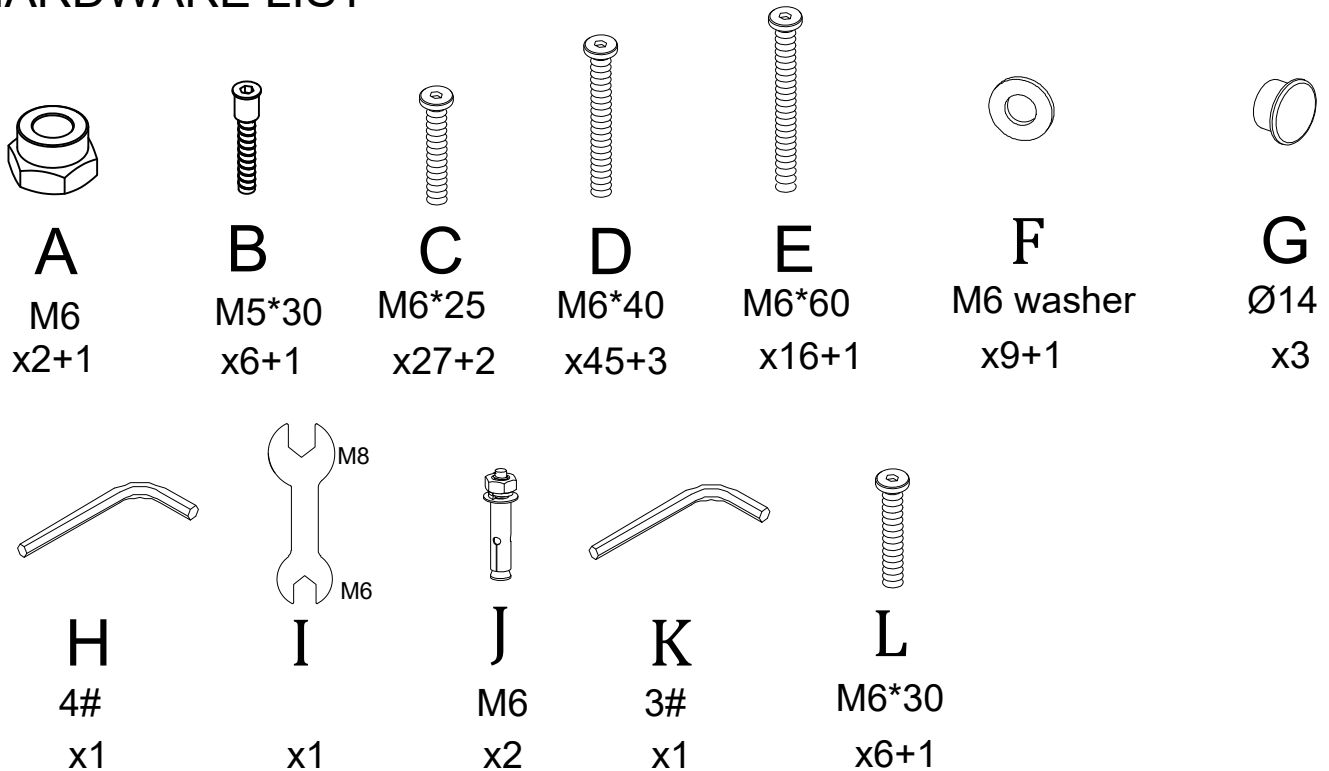


Install parts

HARDWARE LIST



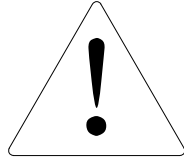
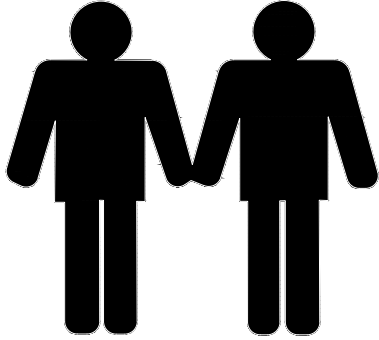
HARDWARE LIST



Note:

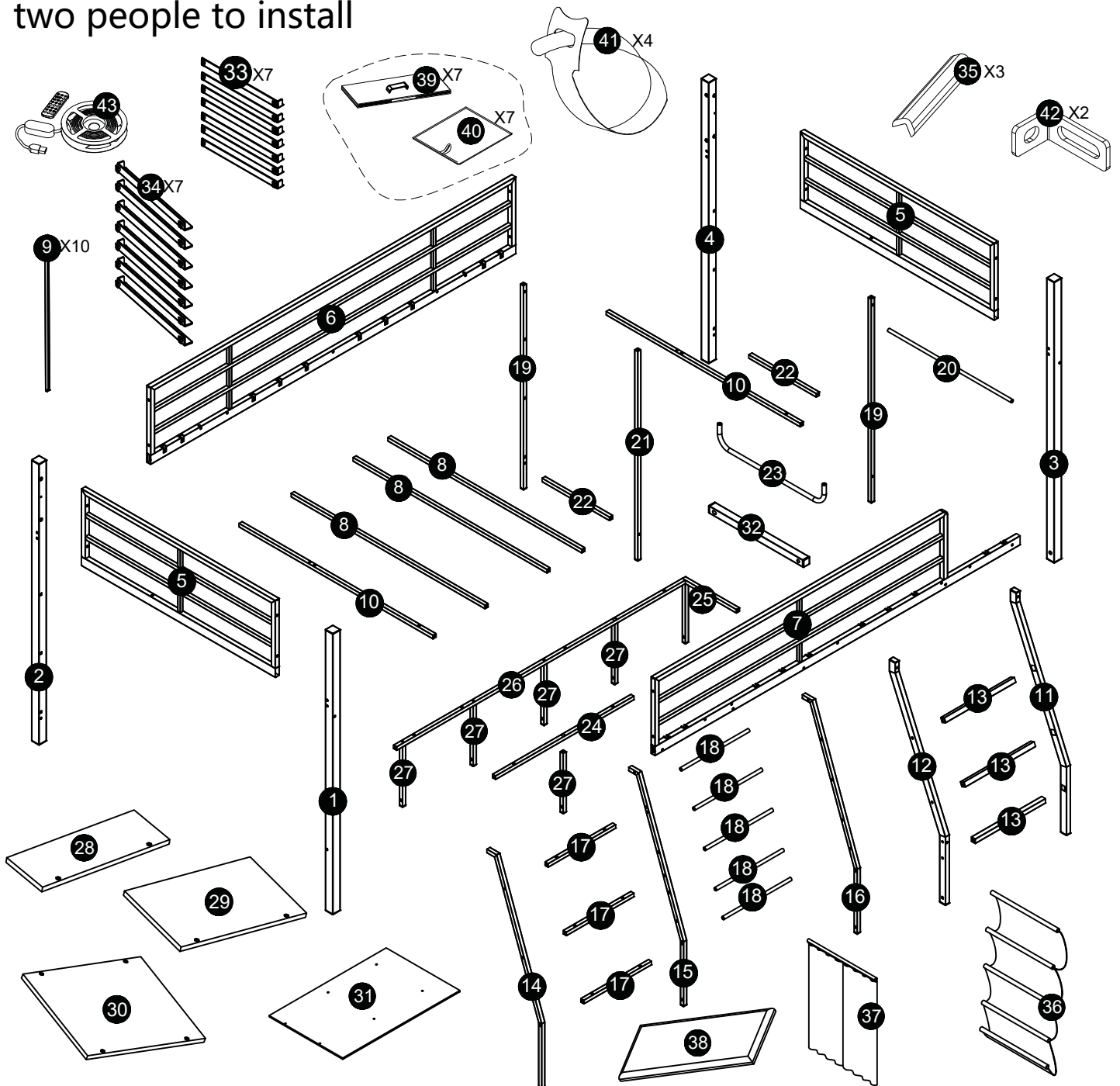
1, Should be assembled on flat ground to keep balance.

2. Before completing the installation, do not tighten the screws.

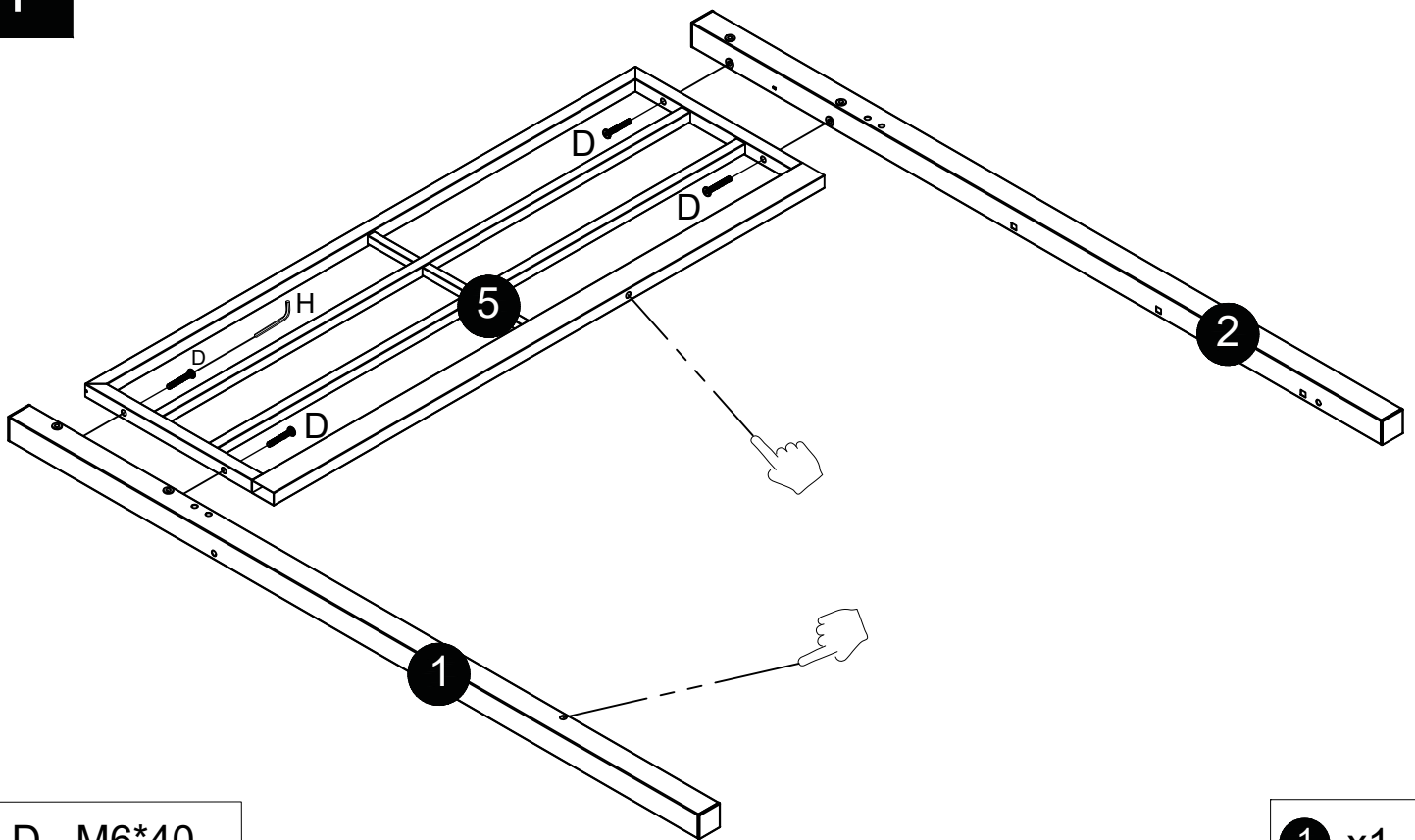


Before starting the assembly ,
you must read the whole manual
and follow the instructions .

It needs at least
two people to install



1



D M6*40

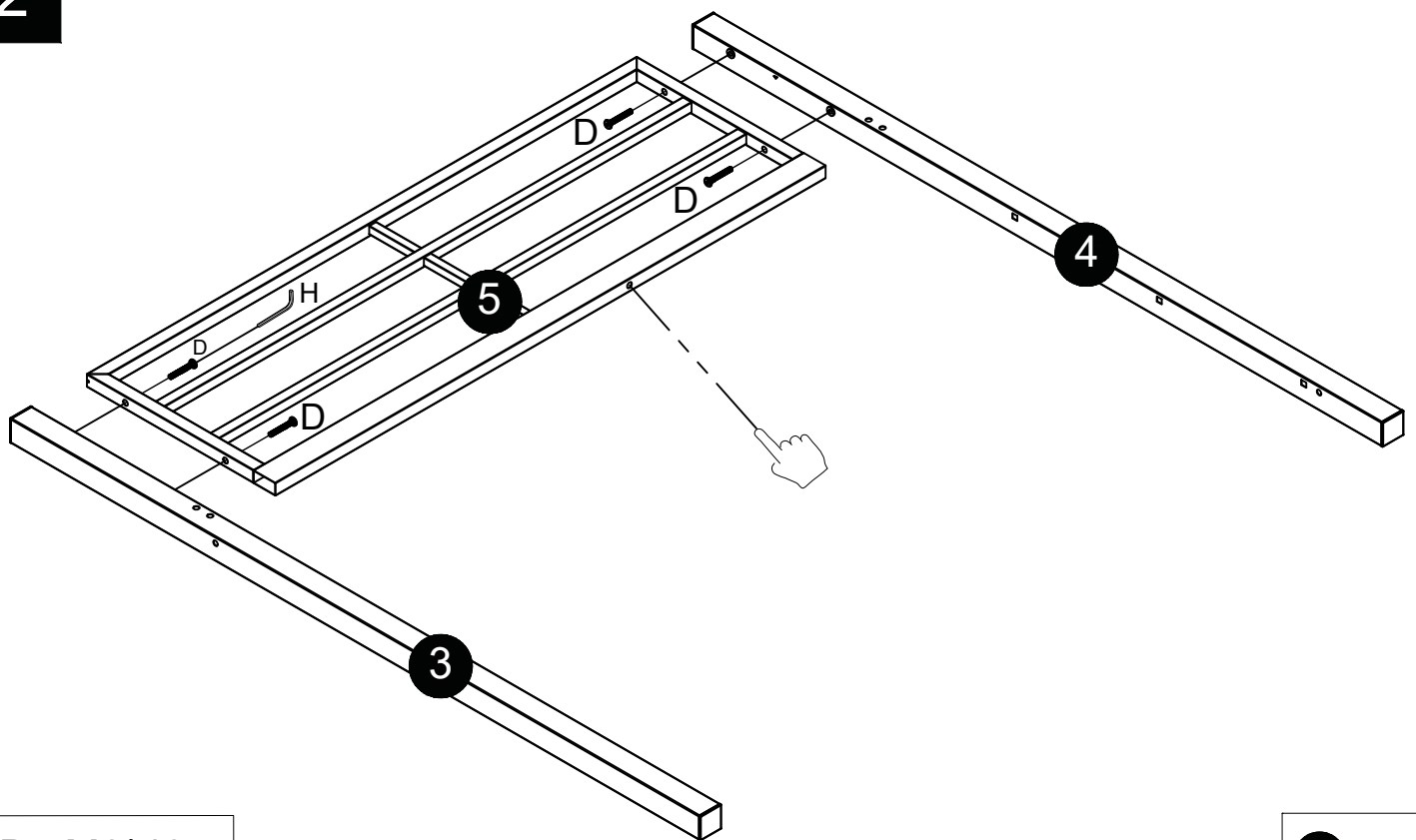
x4

1 x1

5 x1

2 x1

2



D M6*40

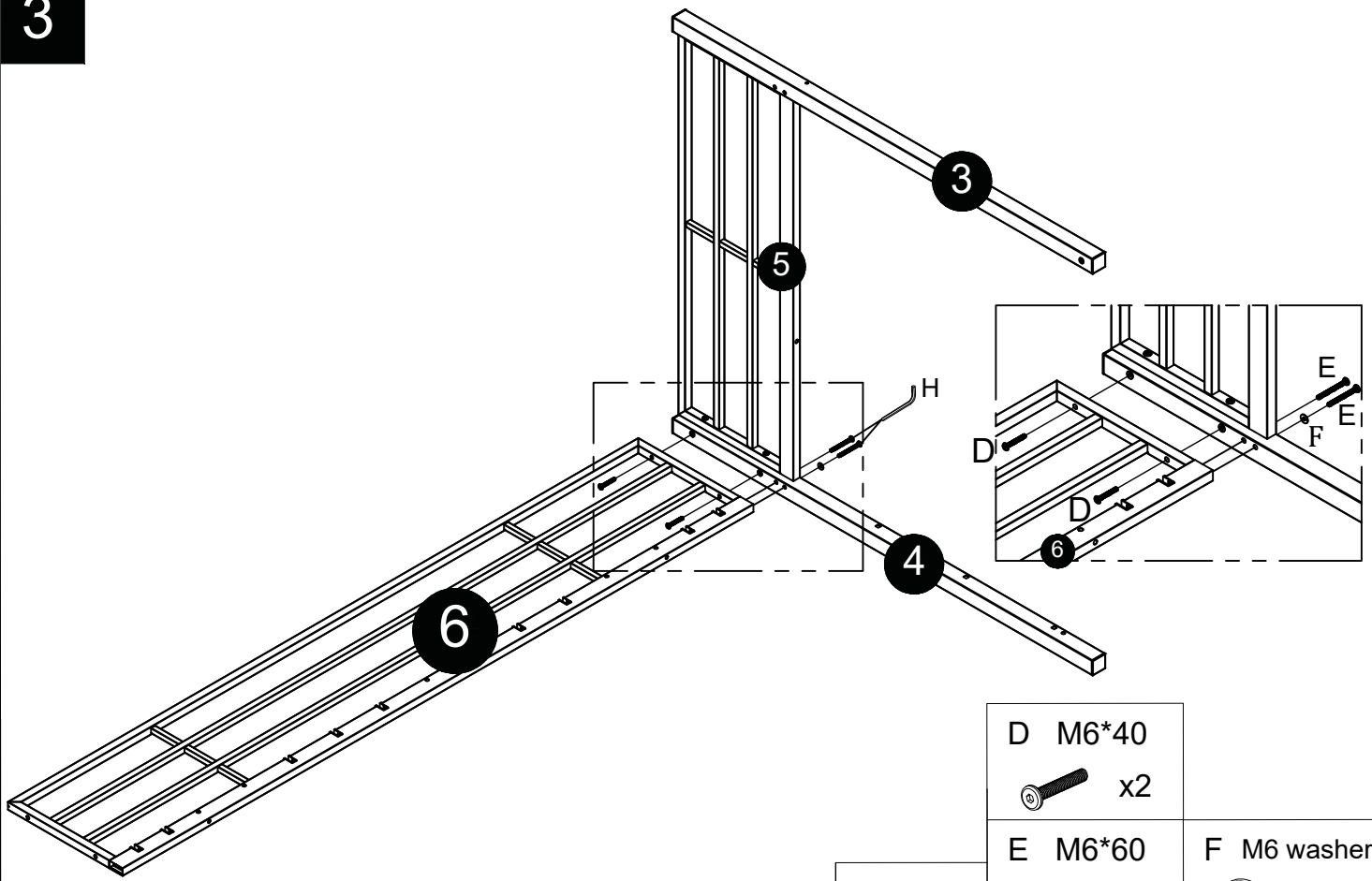
x4




3 x1

5 x1

4 x1

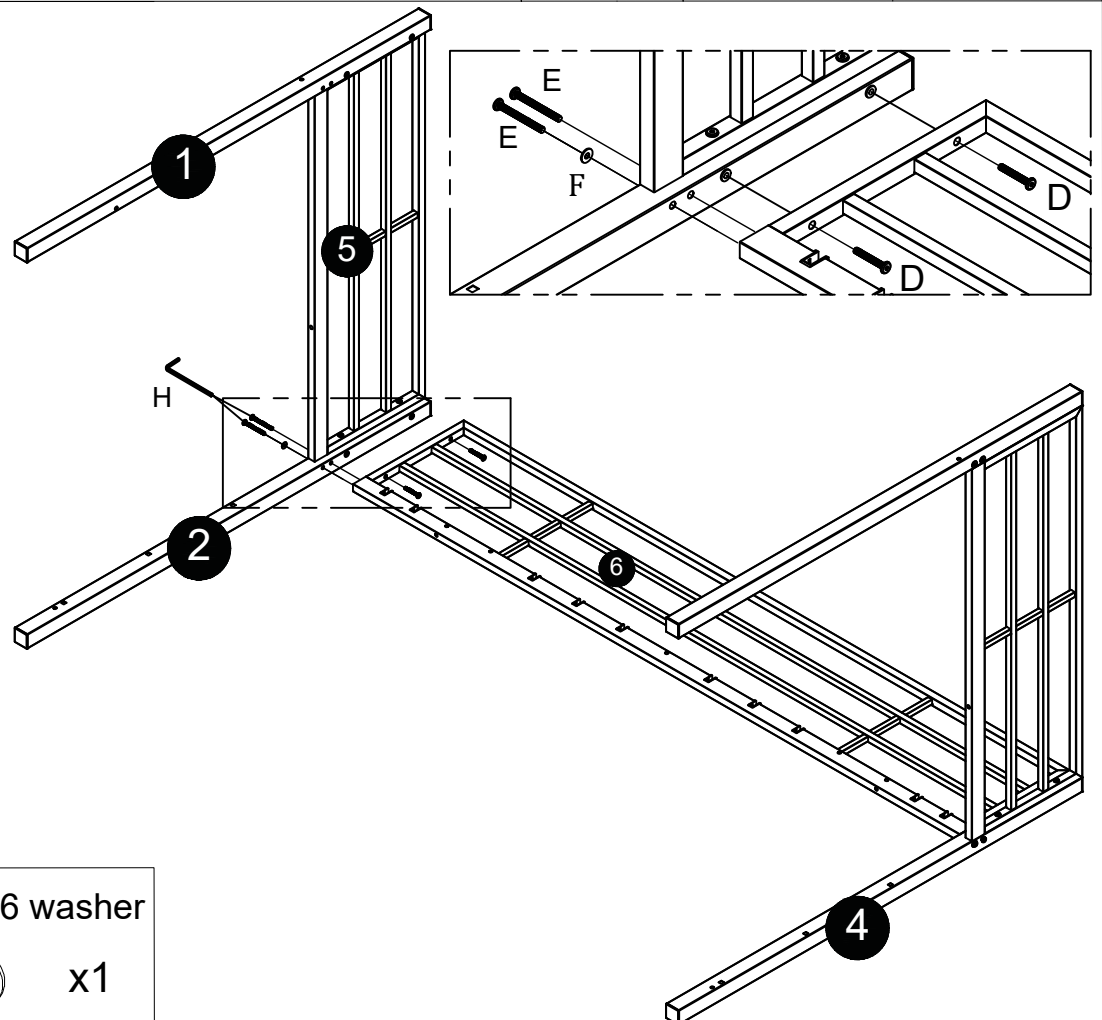
3



D	M6*40		
	x2		
E	M6*60	F	M6 washer
	x2		x1

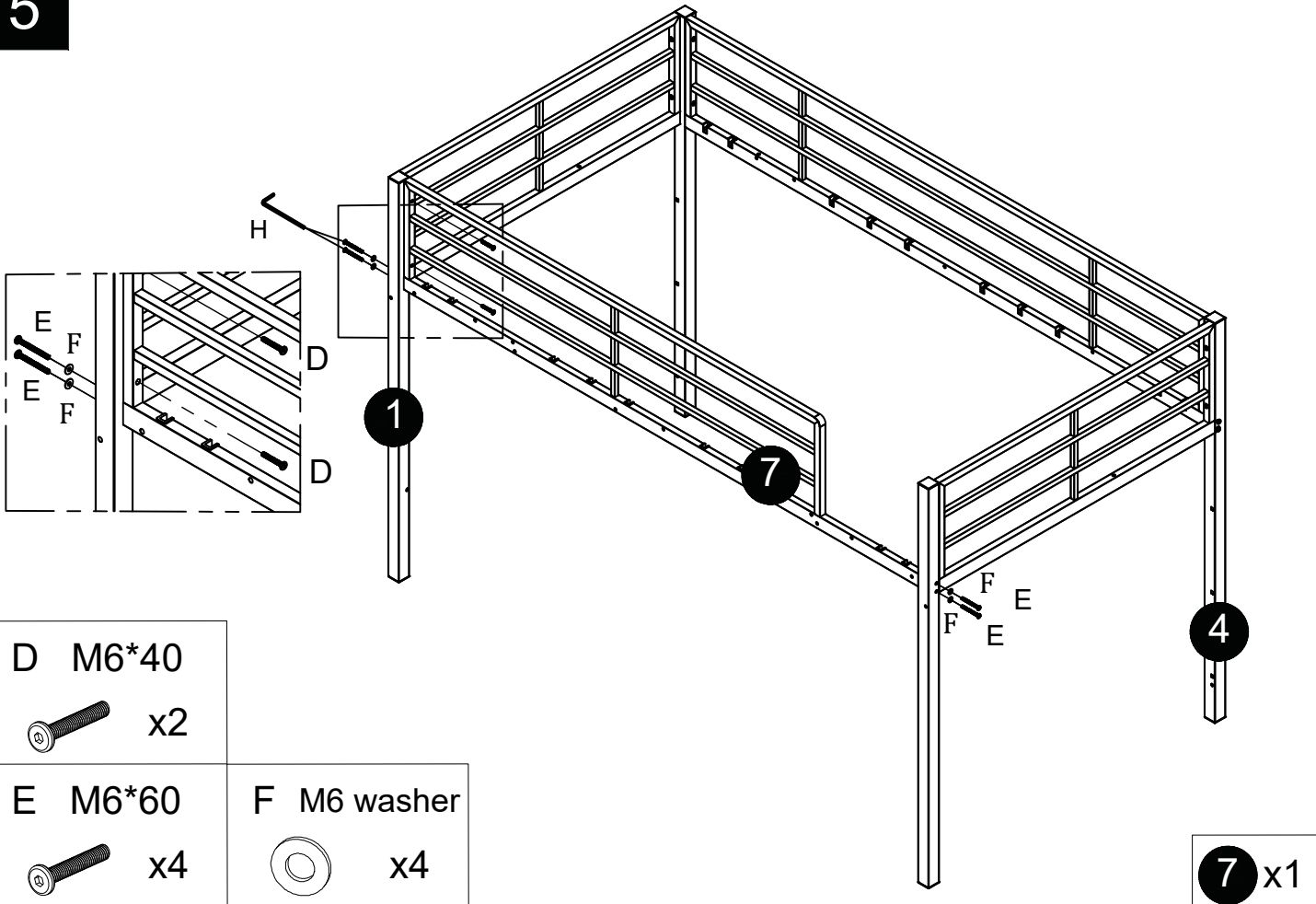
6 x1

4



D	M6*40		
	x2		
E	M6*60	F	M6 washer
	x2		x1

5



D M6*40



E M6*60

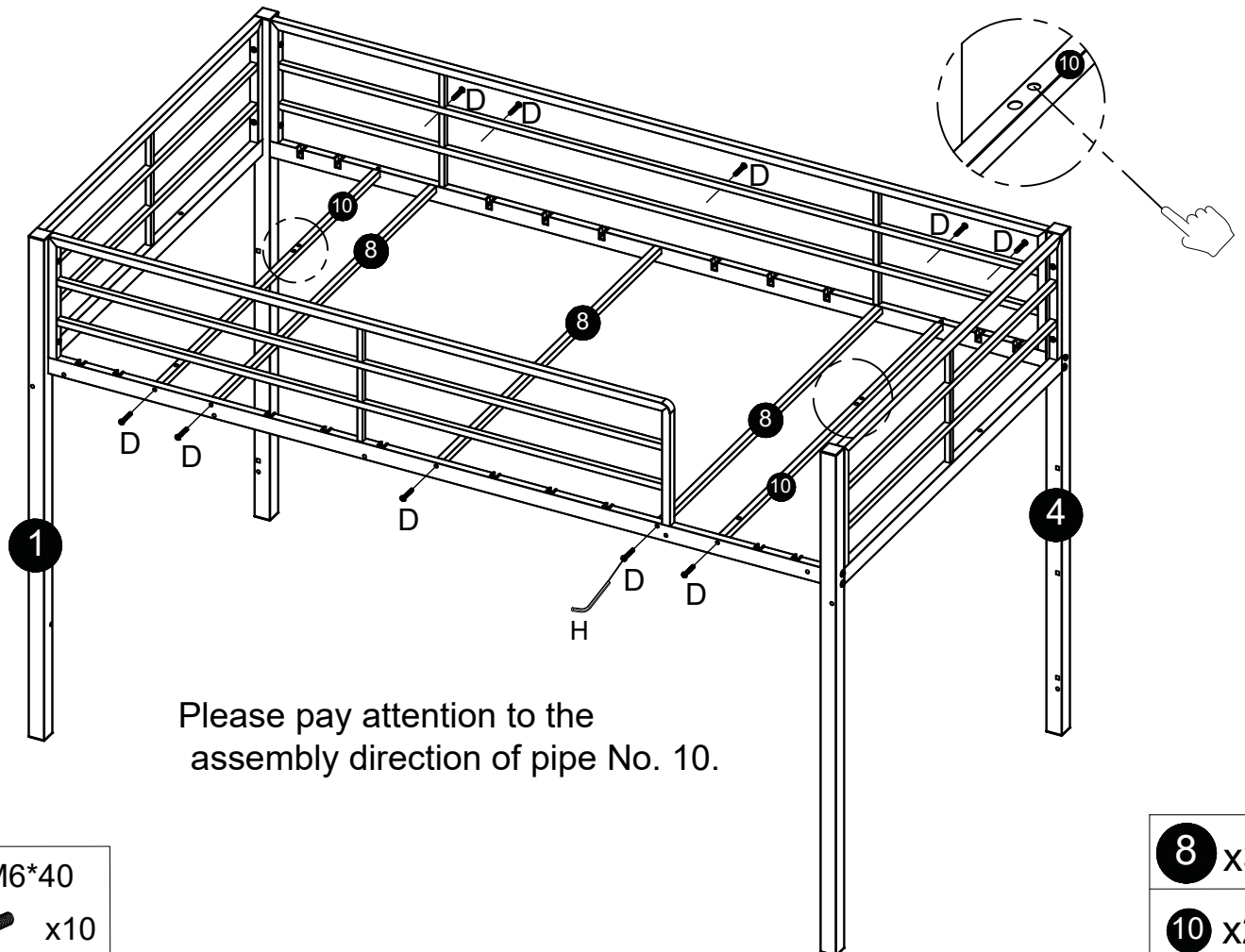


F M6 washer



7 x1

6



D M6*40

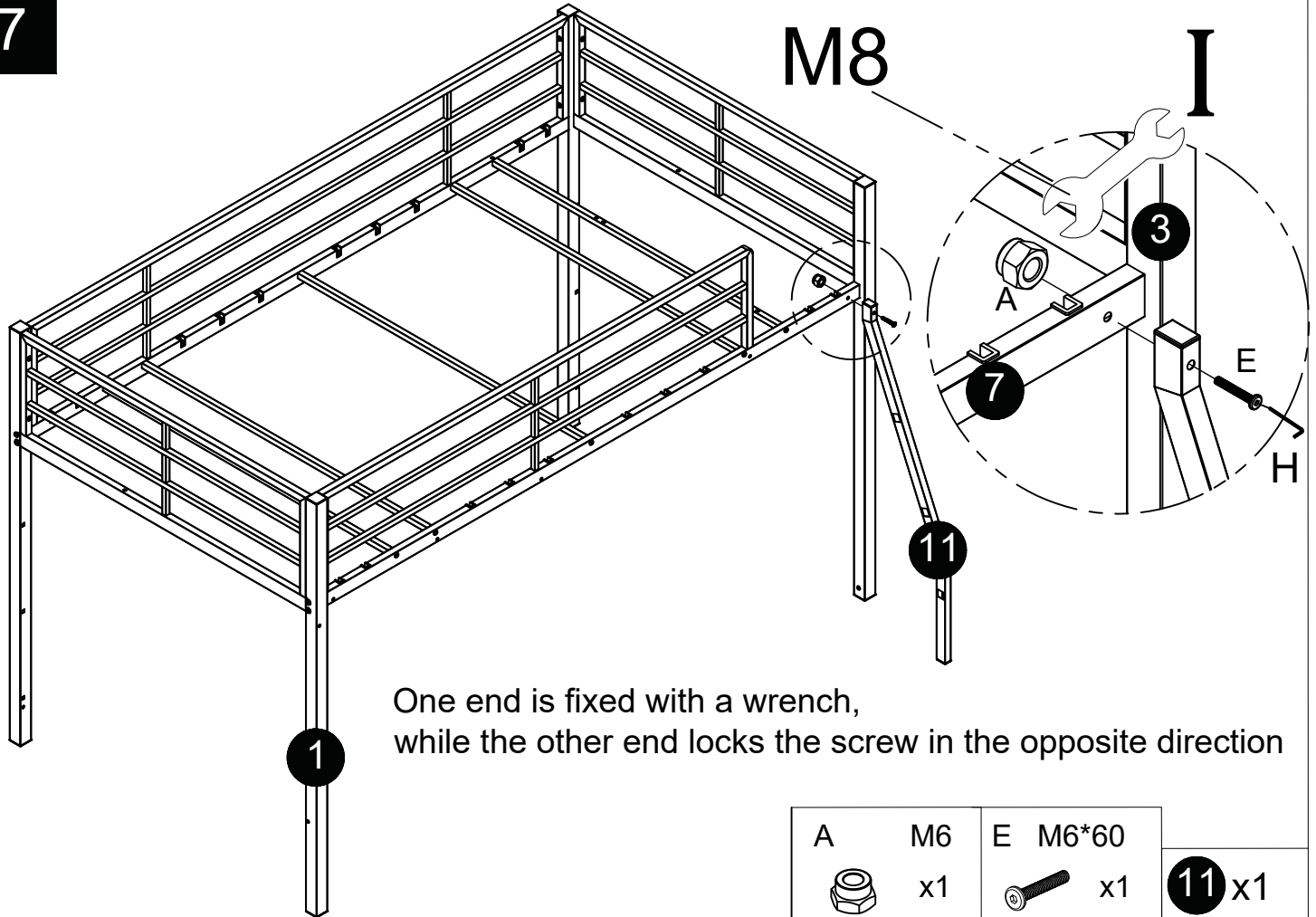


8 x3

10 x2

Please pay attention to the assembly direction of pipe No. 10.

7



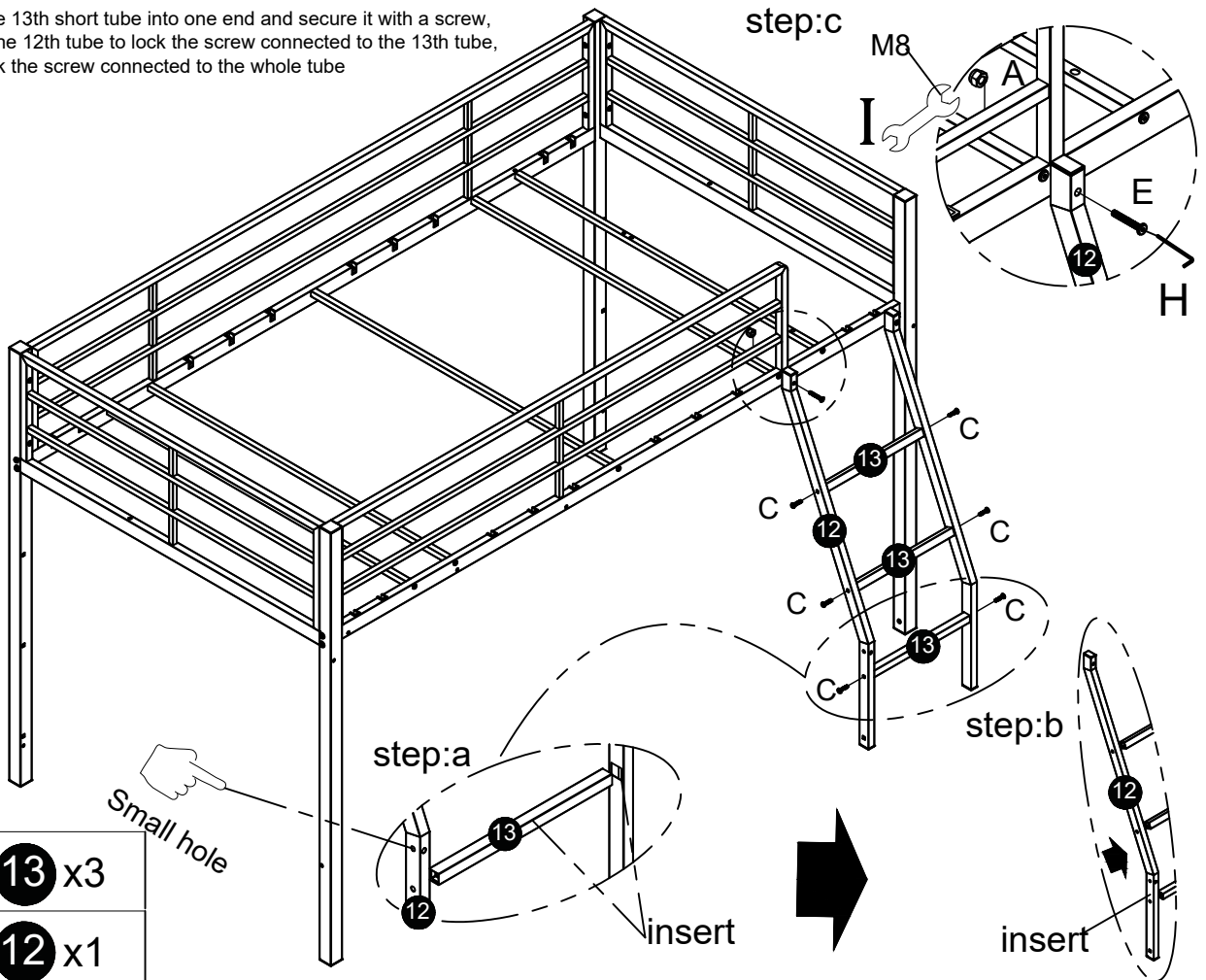
One end is fixed with a wrench, while the other end locks the screw in the opposite direction

A	M6	E	M6*60	11 x1
	x1		x1	

8

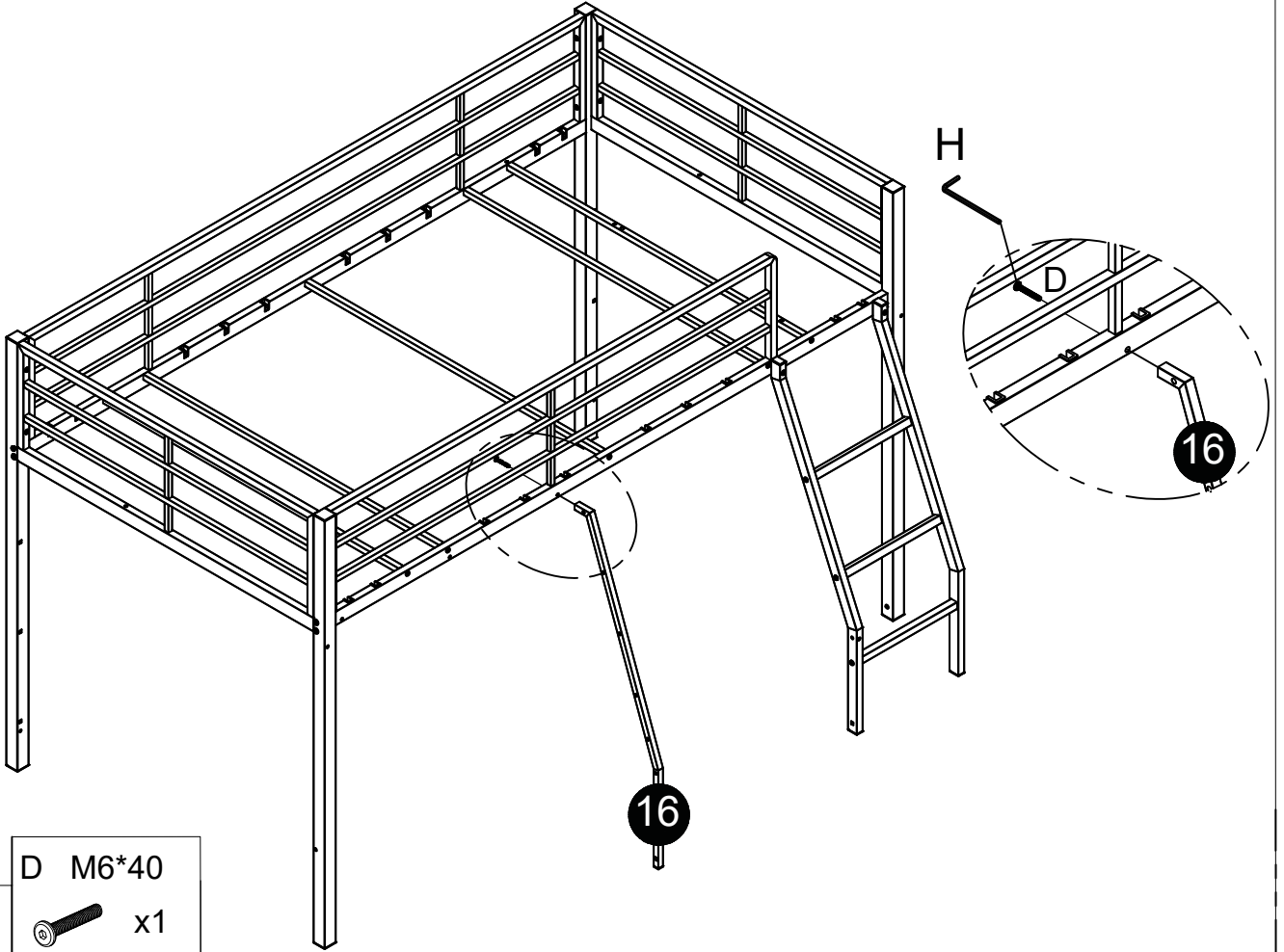
First, insert the 13th short tube into one end and secure it with a screw, then push in the 12th tube to lock the screw connected to the 13th tube, and finally lock the screw connected to the whole tube

step:c



A	M6	13 x3
	x1	
E	M6*60	12 x1
	x1	
C	M6*25	
	x6	

9

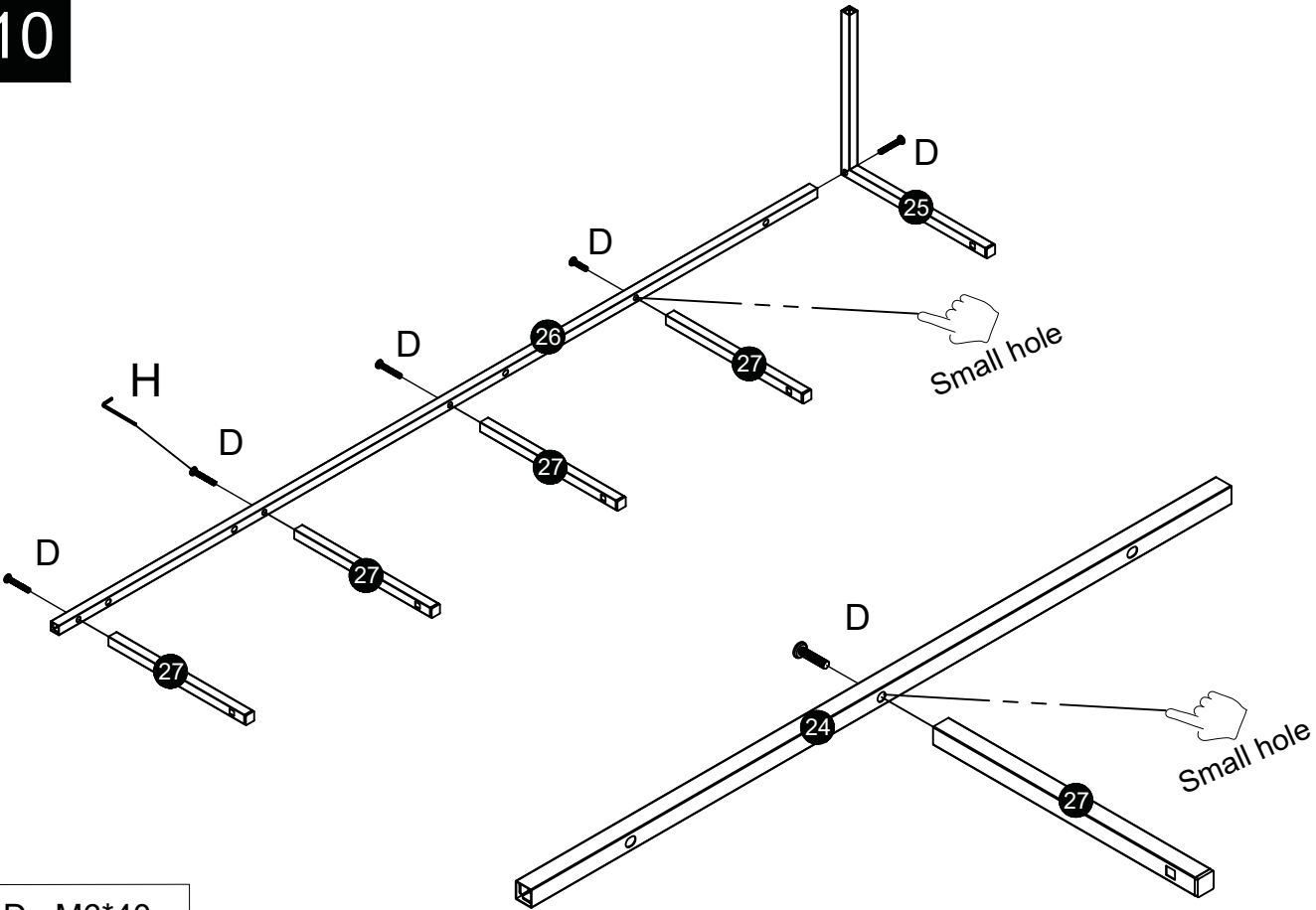


D M6*40

16 x1

x1

10

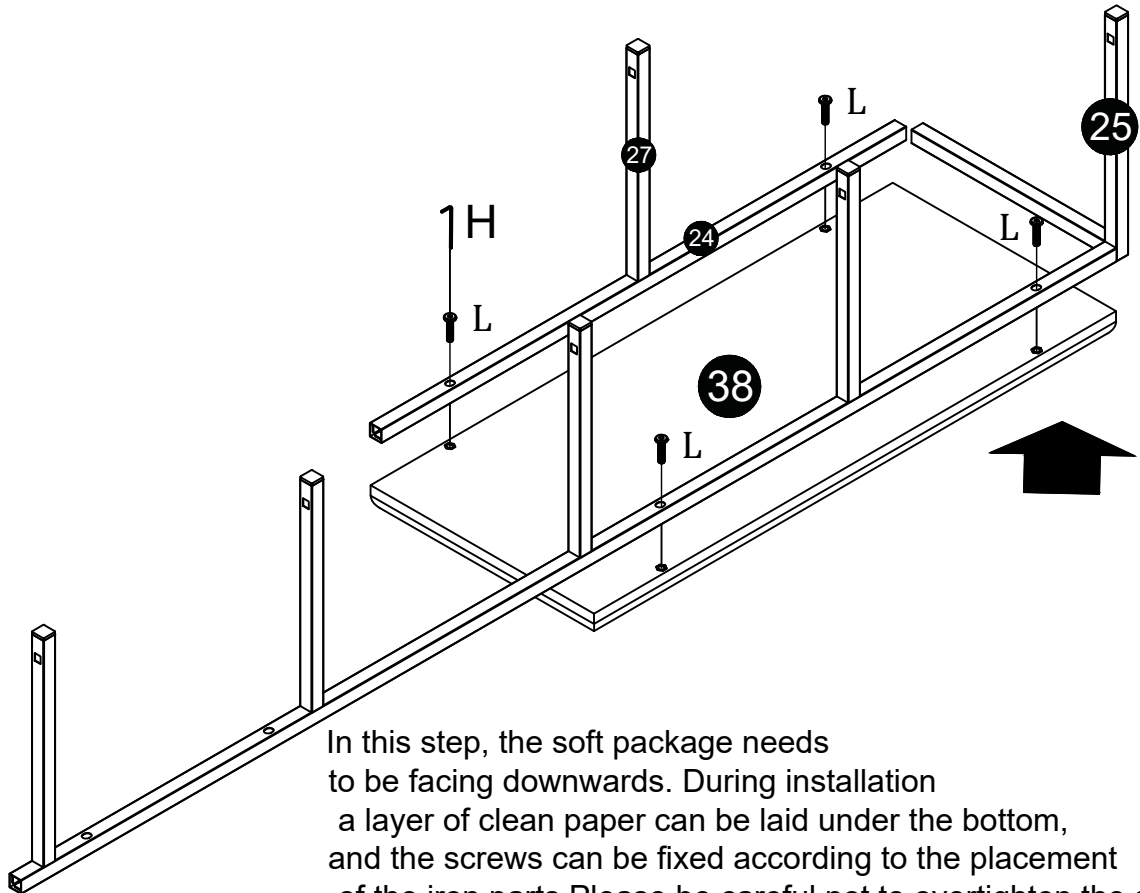


D M6*40

x6

- | | | | |
|-------|-------|-------|-------|
| 25 x1 | 26 x1 | 24 x1 | 27 x5 |
|-------|-------|-------|-------|

11



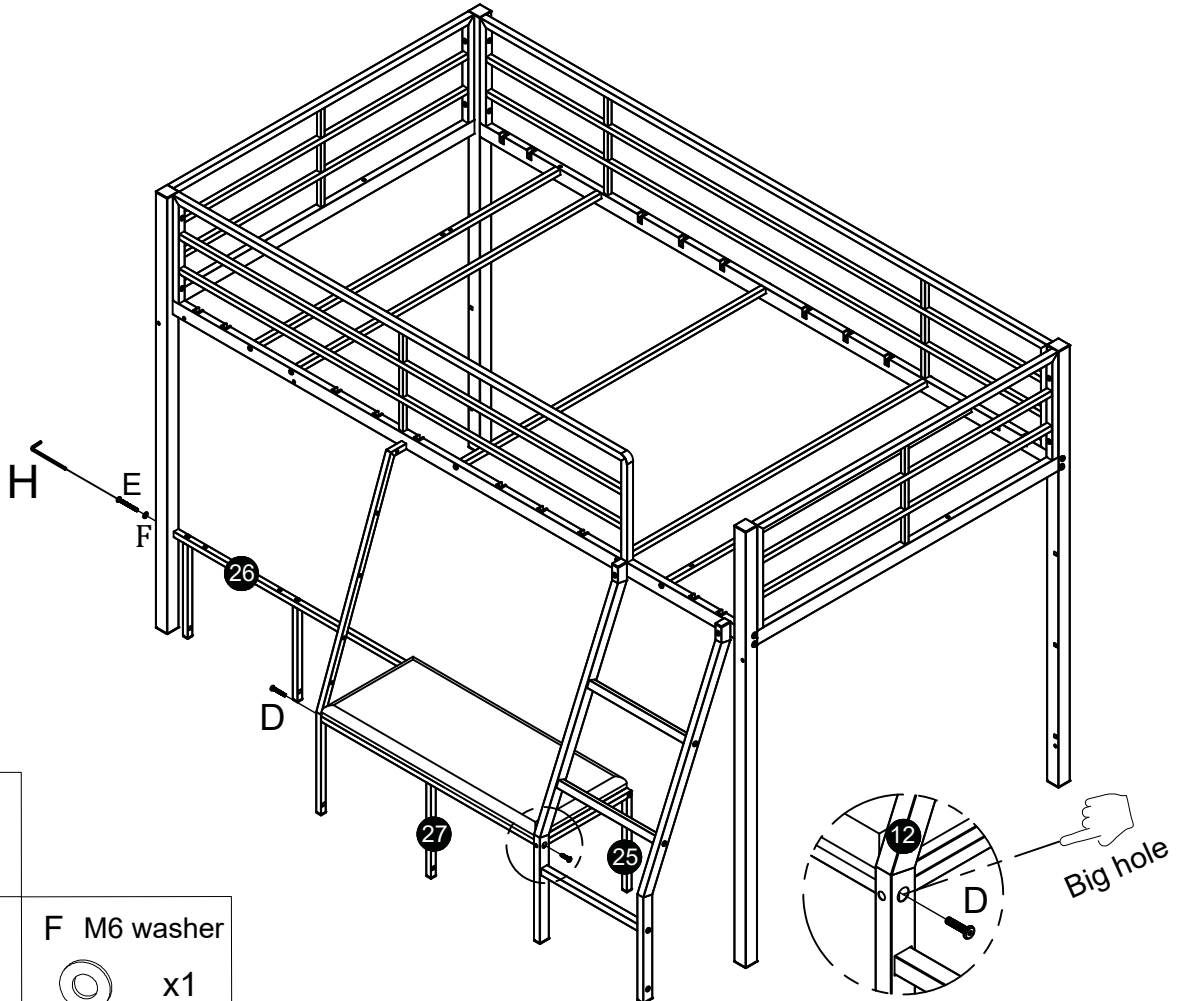
38 x1

L M6*30

x4

In this step, the soft package needs to be facing downwards. During installation a layer of clean paper can be laid under the bottom, and the screws can be fixed according to the placement of the iron parts. Please be careful not to overtighten the screws

12



E M6*60

x1

D M6*40

x2

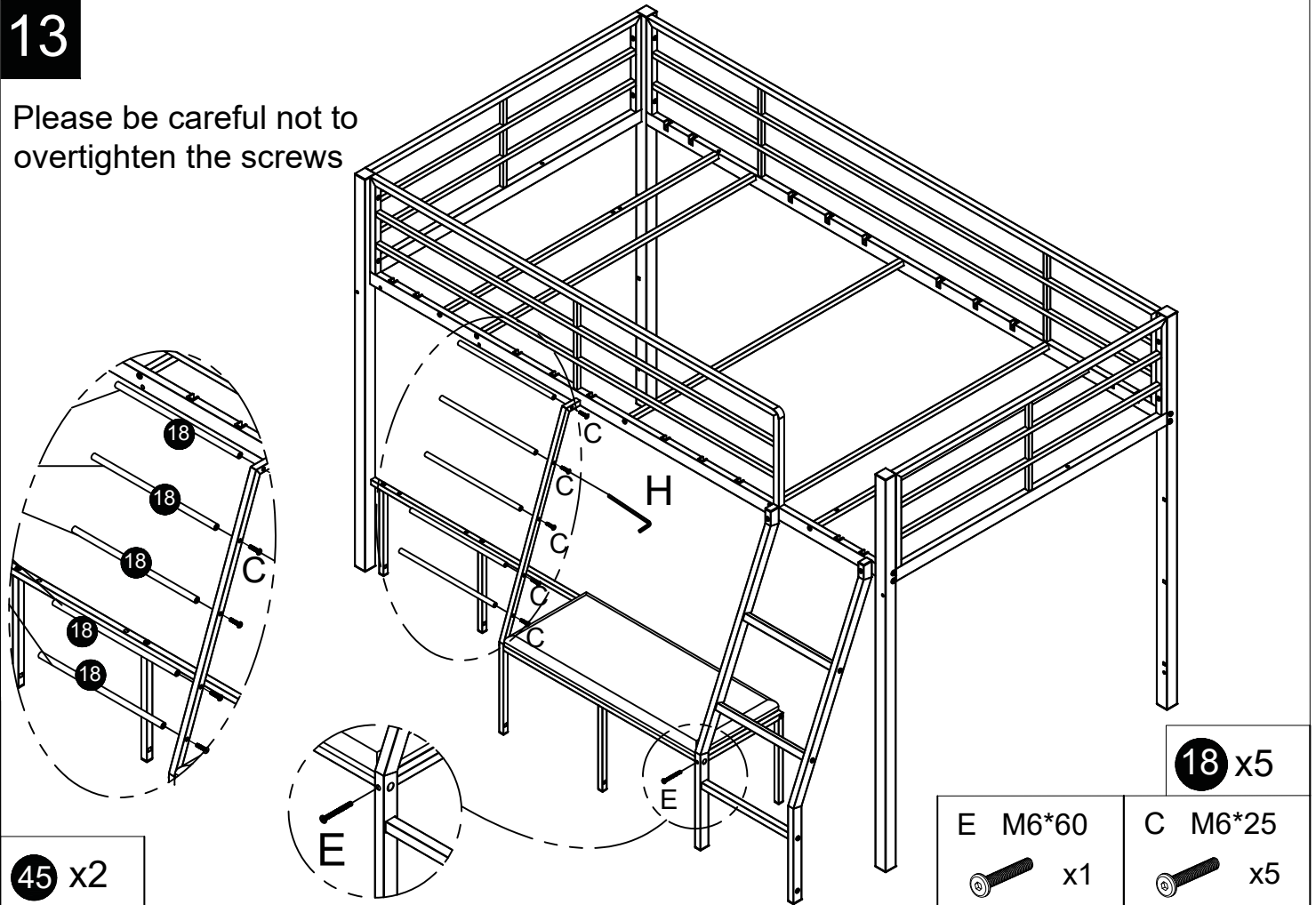
F M6 washer

x1

Big hole

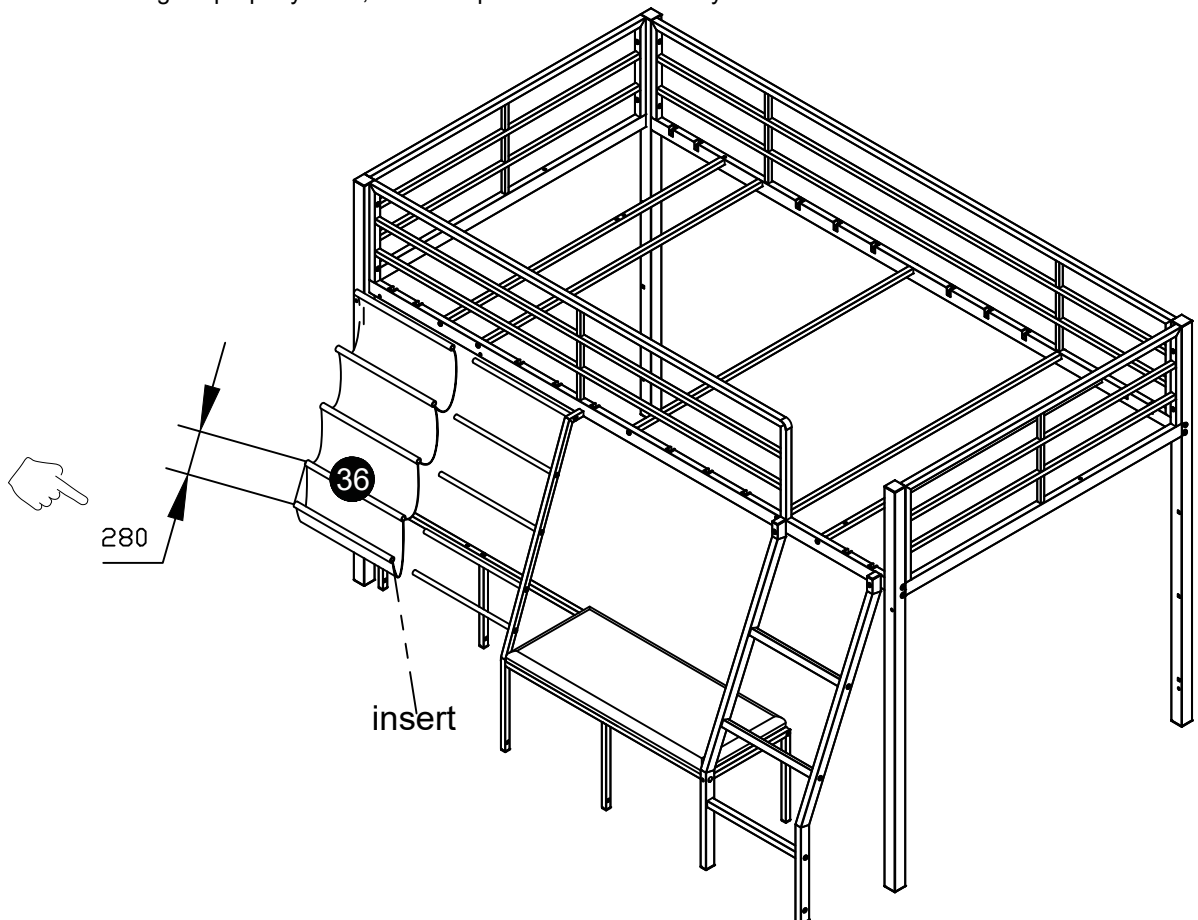
13

Please be careful not to overtighten the screws



14

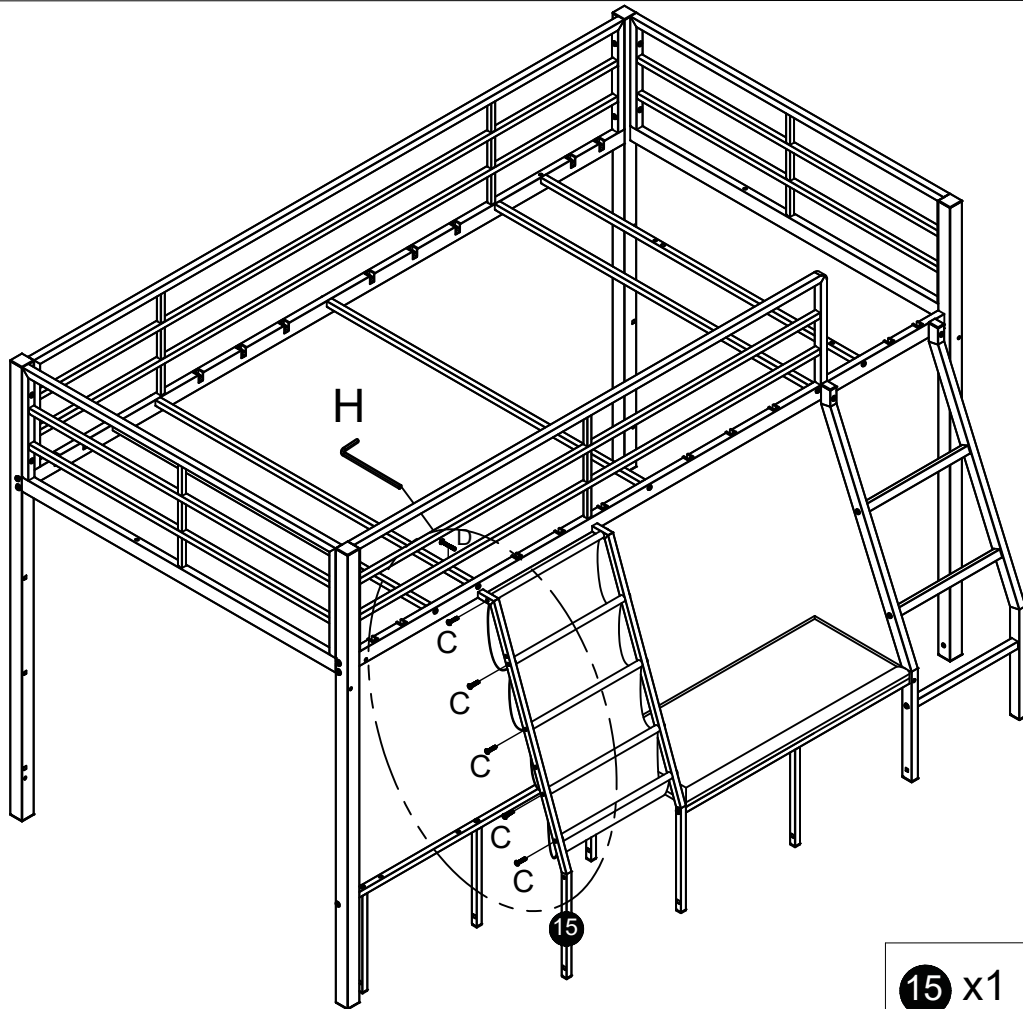
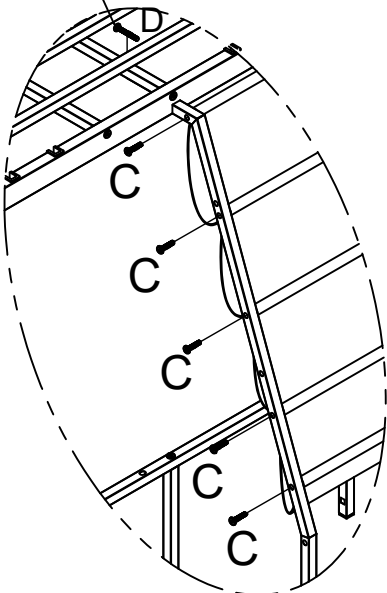
Please note that when installing the cloth bags, the gap at the bottommost layer is relatively small. The 280 dimension on the drawing is for reference only. During installation, ensure that each hole of the cloth bags is properly fitted, and then push them in uniformly for easier installation.



36 x1

15

H



D M6*40

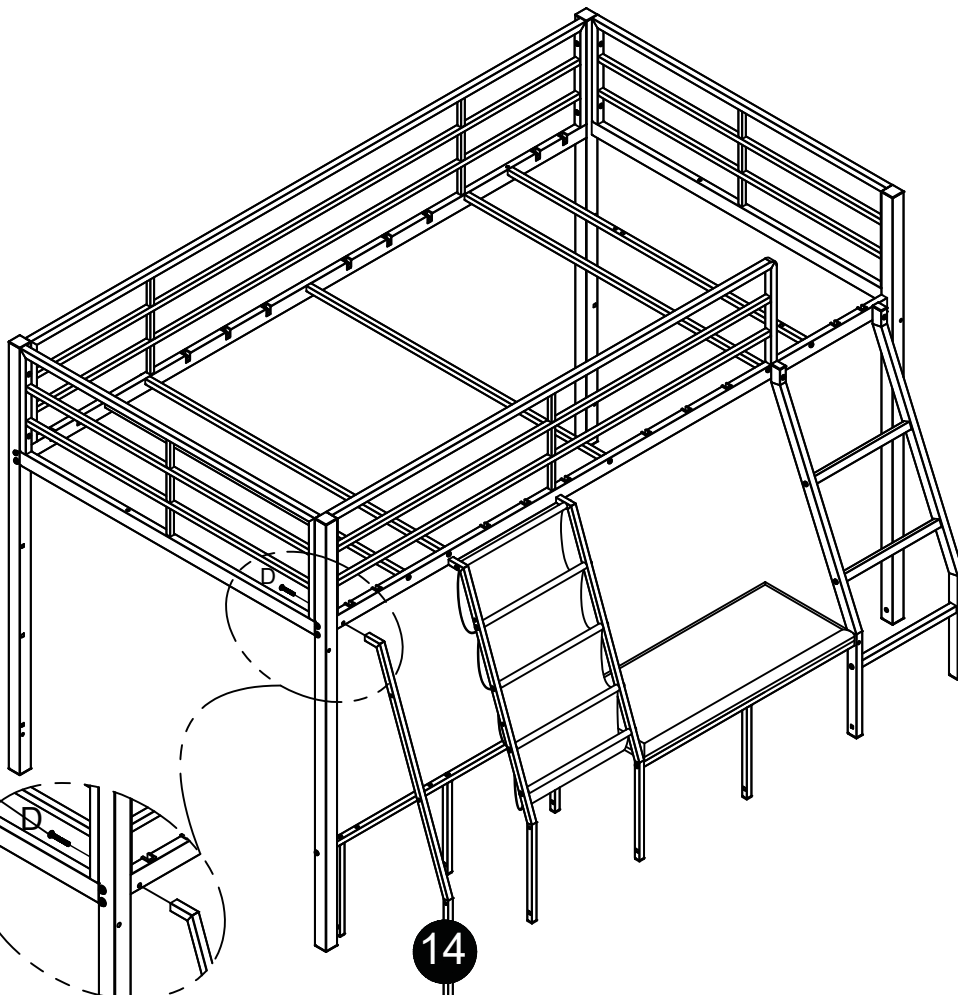
C M6*25



15 x1

16

H

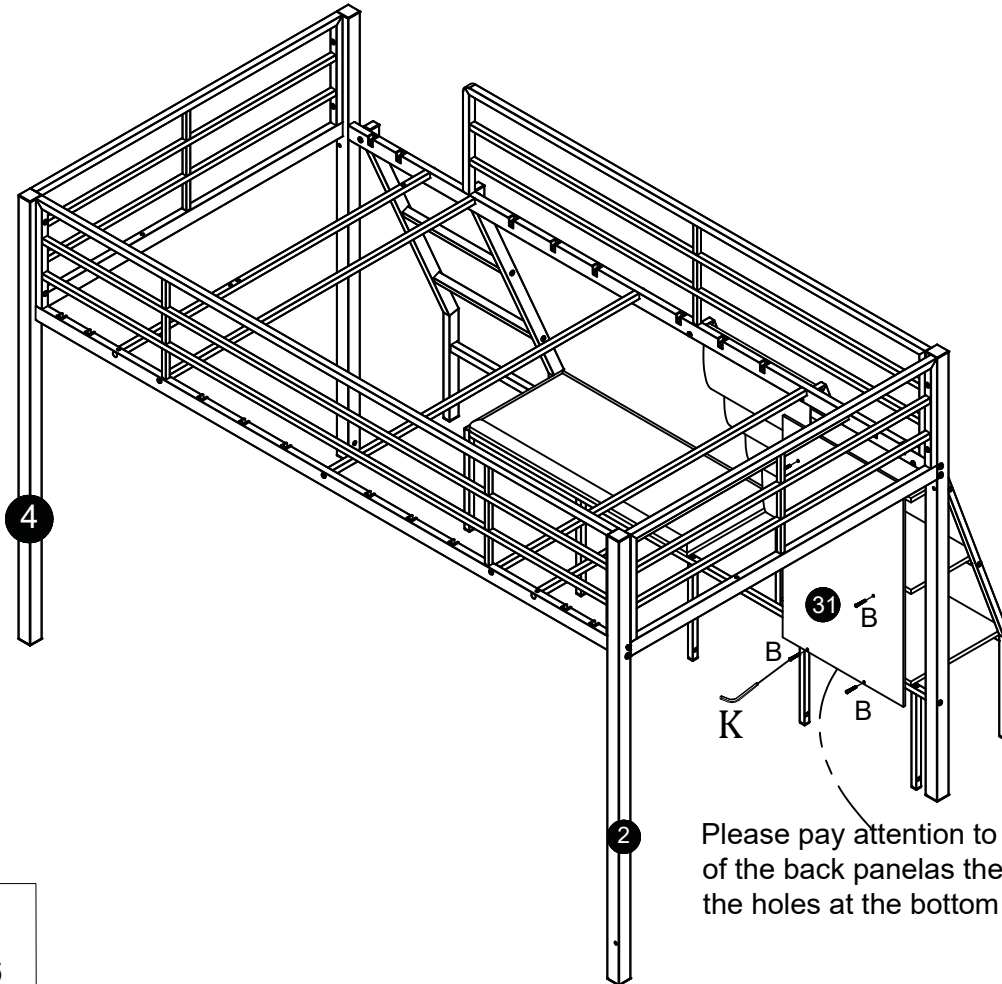


D M6*40



14 x1

19



Please pay attention to the direction of the back panels as the distance between the holes at the bottom is relatively small

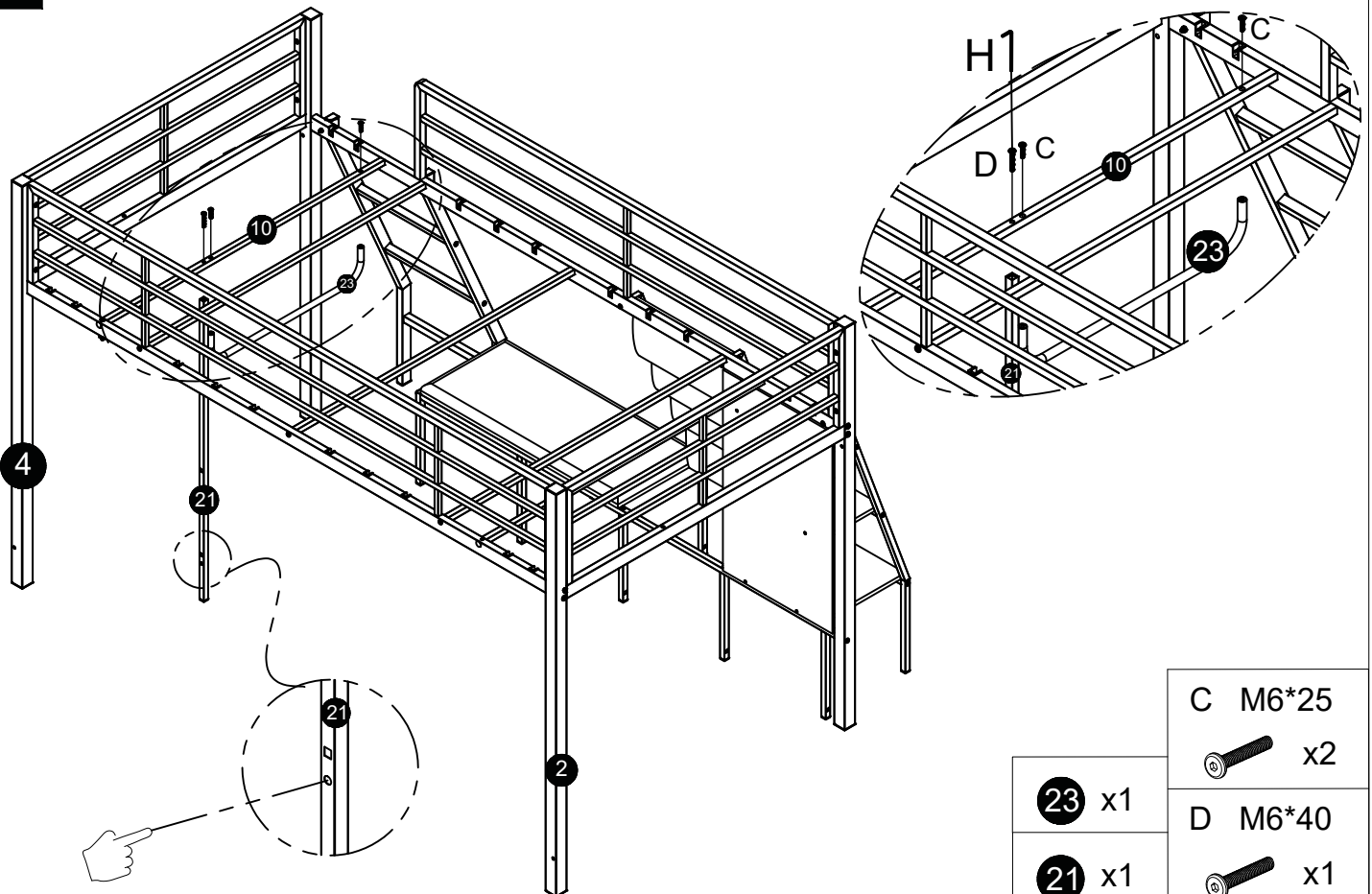
B M5*30

 x6

31 x1

20

Please note: If you want the fabric under the bed to be pulled to the bottom right of the bed, as shown in Figure A on the homepage, please follow the steps below to install it



C M6*25

 x2

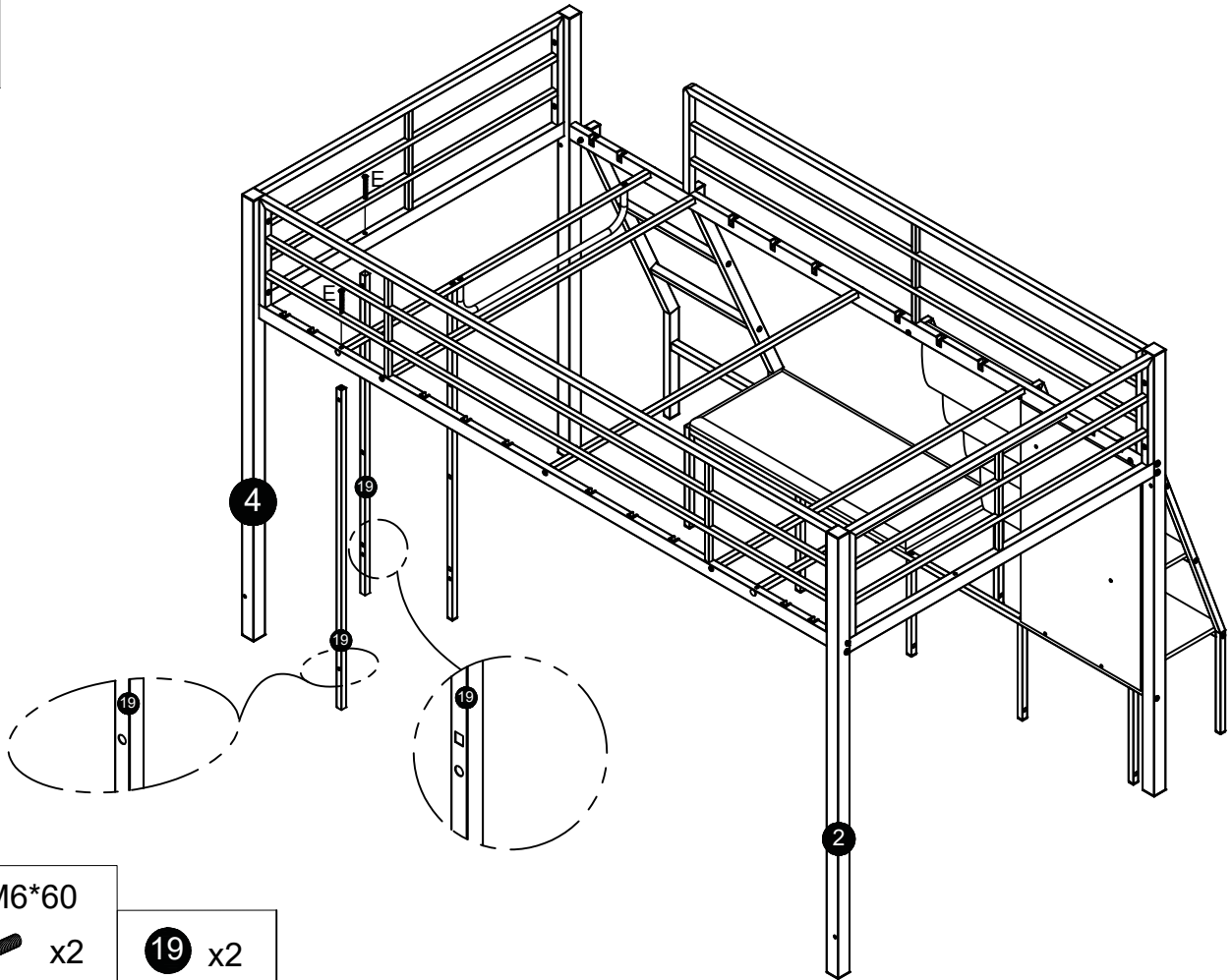
23 x1

D M6*40

21 x1

 x1

21



E M6*60

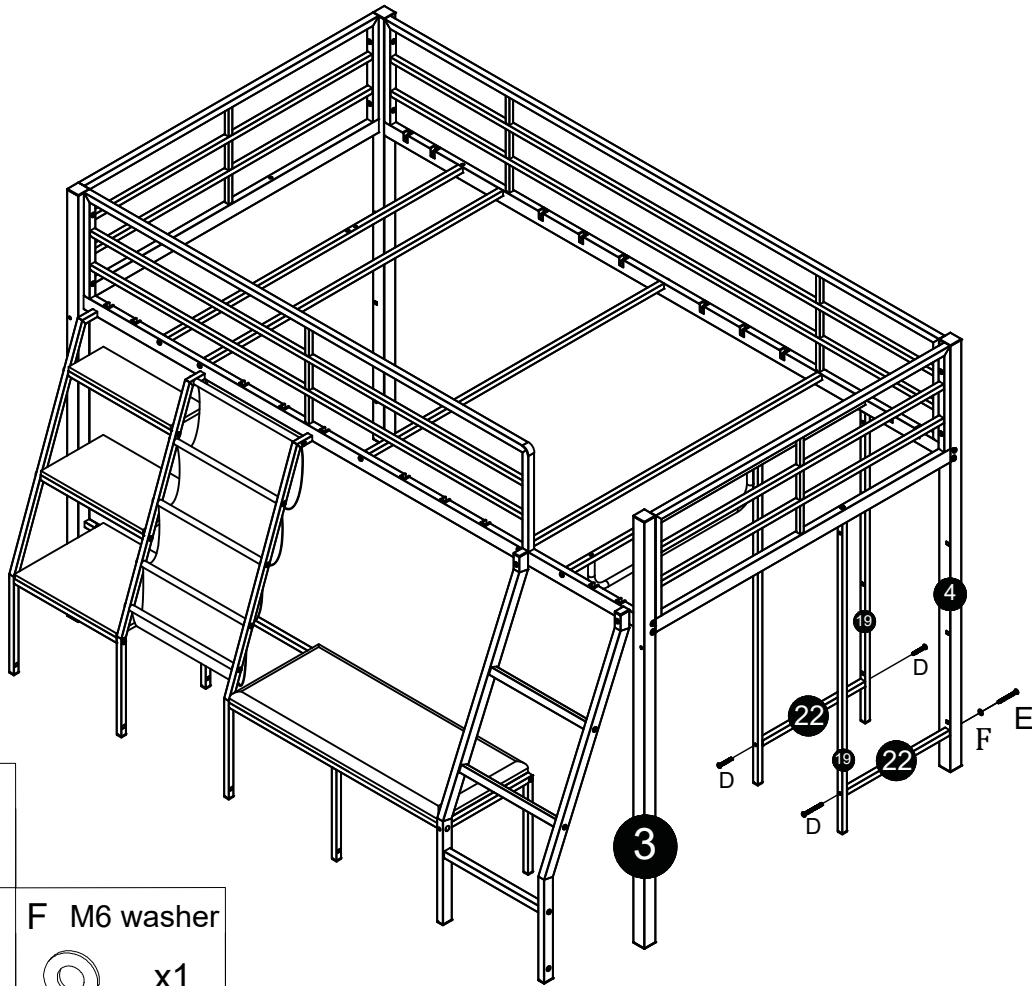


x2

19

x2

22



E M6*60



x1

D M6*40



x3

F M6 washer



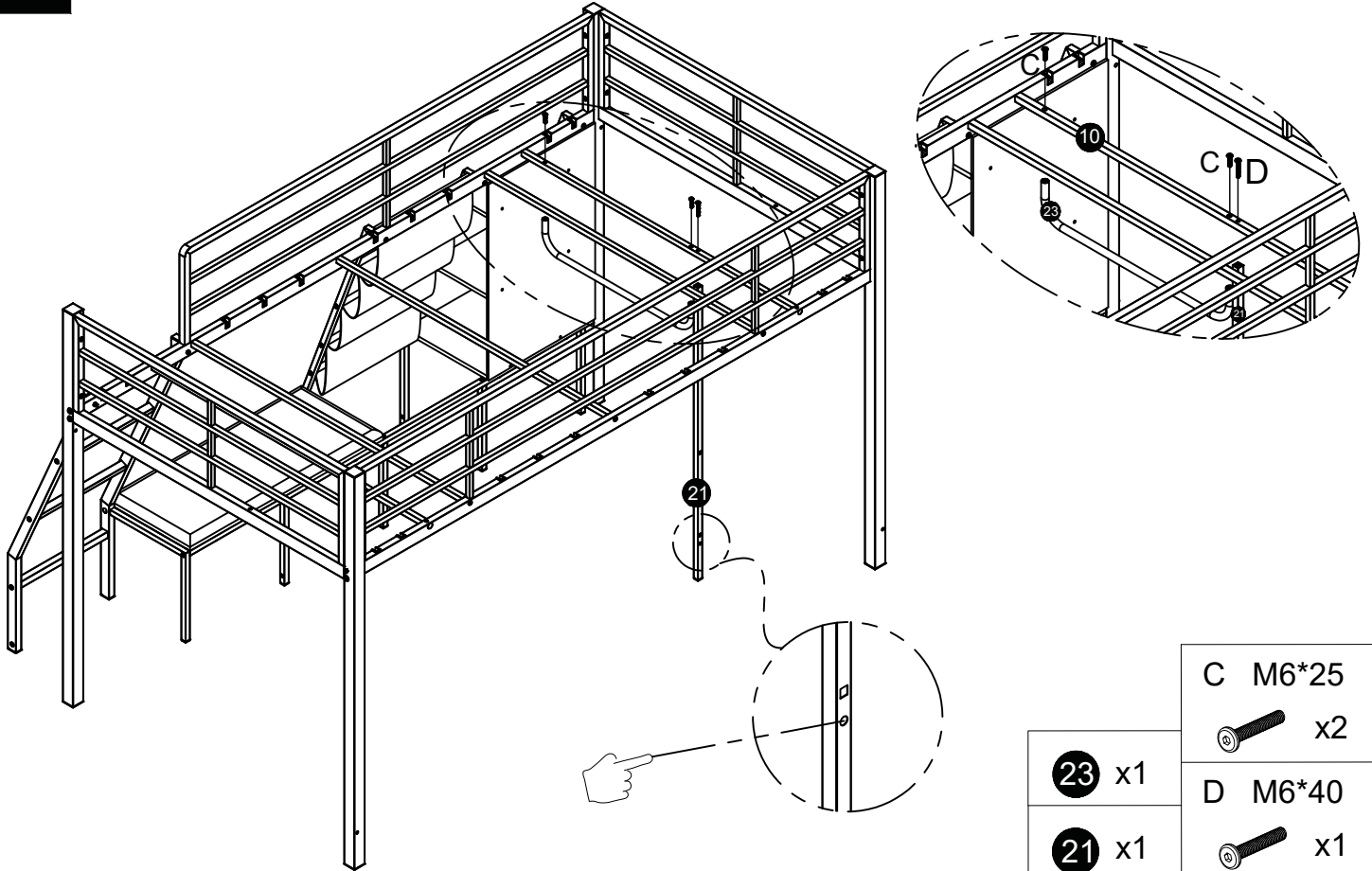
x1

22

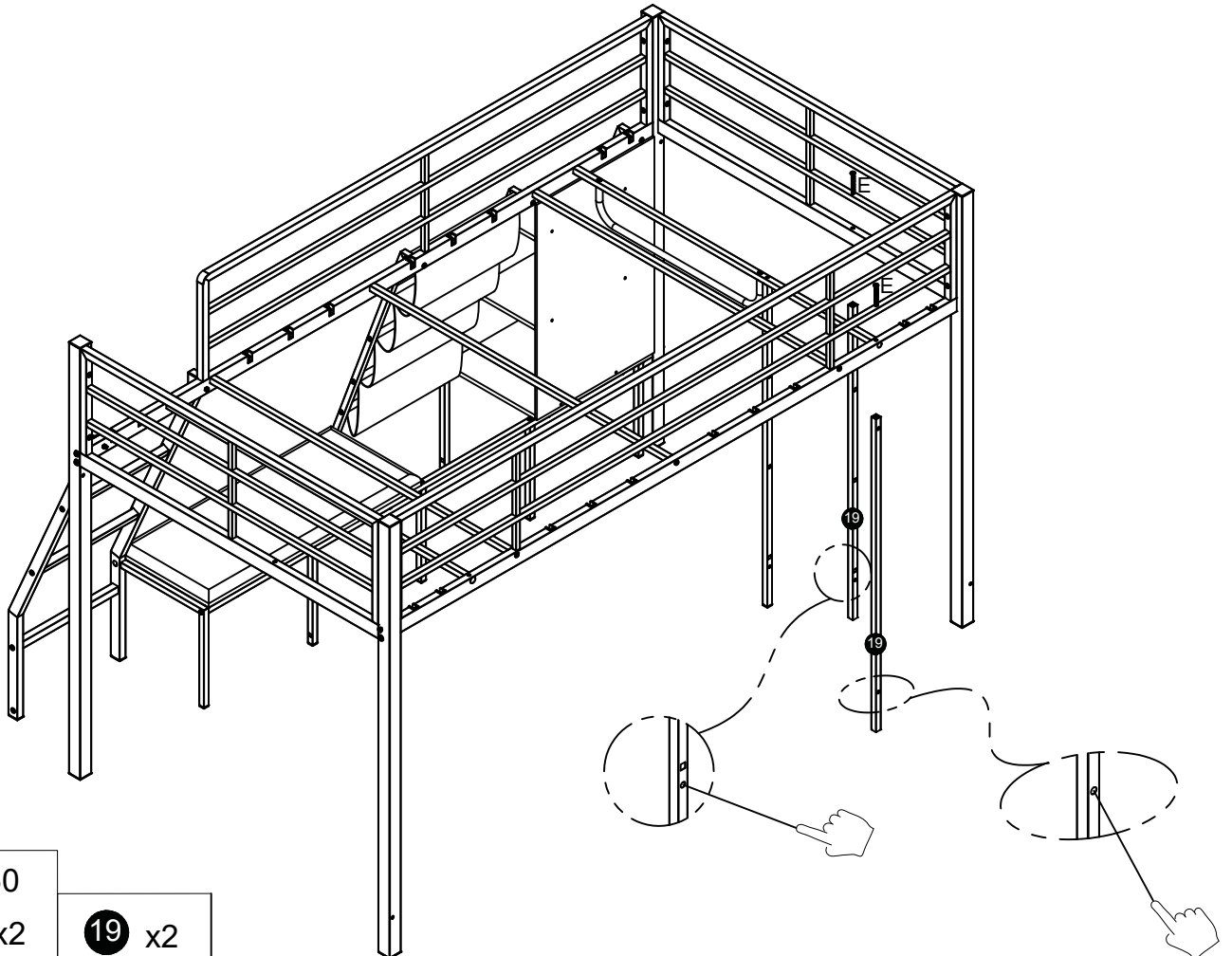
x2

23

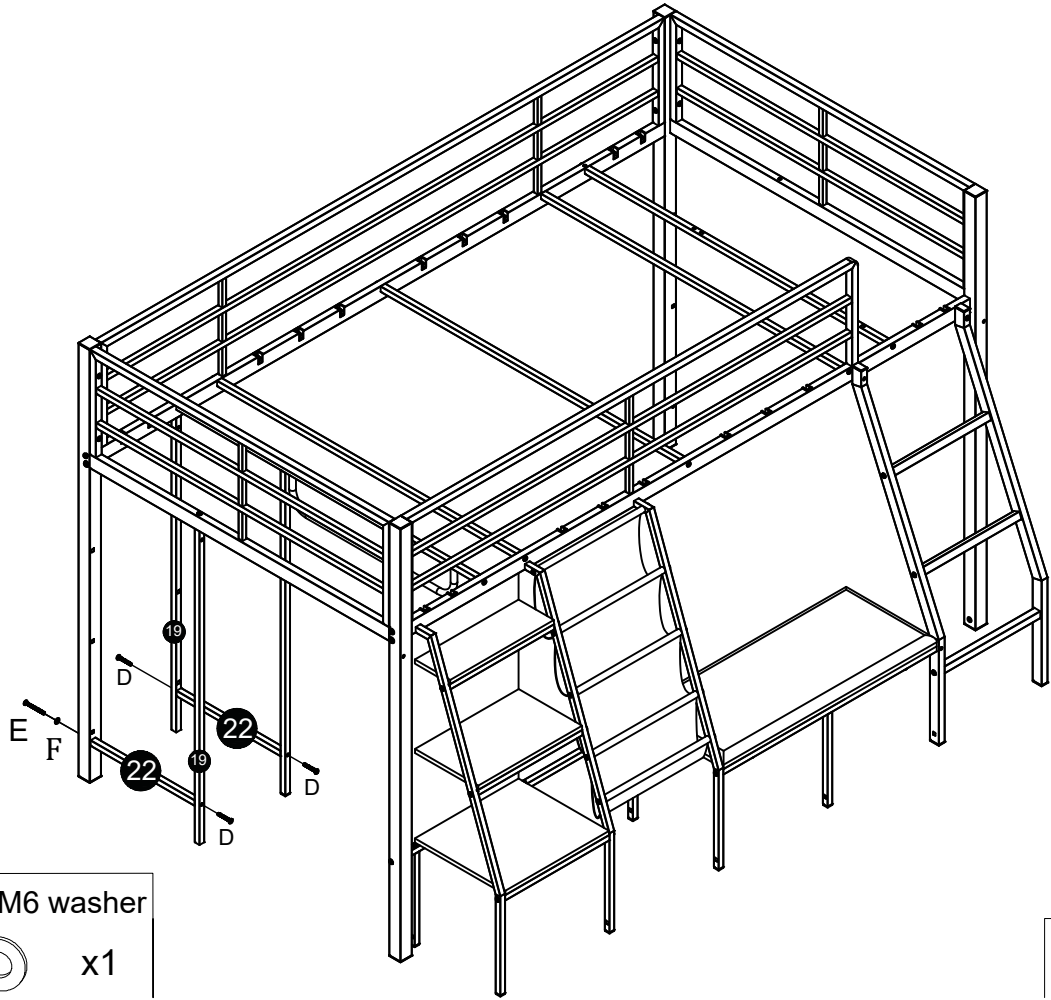
Please note: If you want the fabric under the bed to be pulled to the bottom left of the bed, as shown in Figure B on the homepage, please follow the steps below to install it



24



25



E M6*60



D M6*40



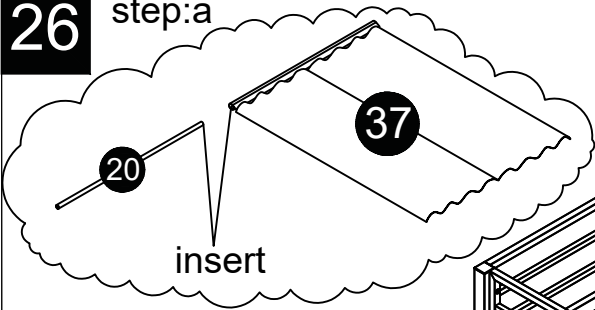
F M6 washer



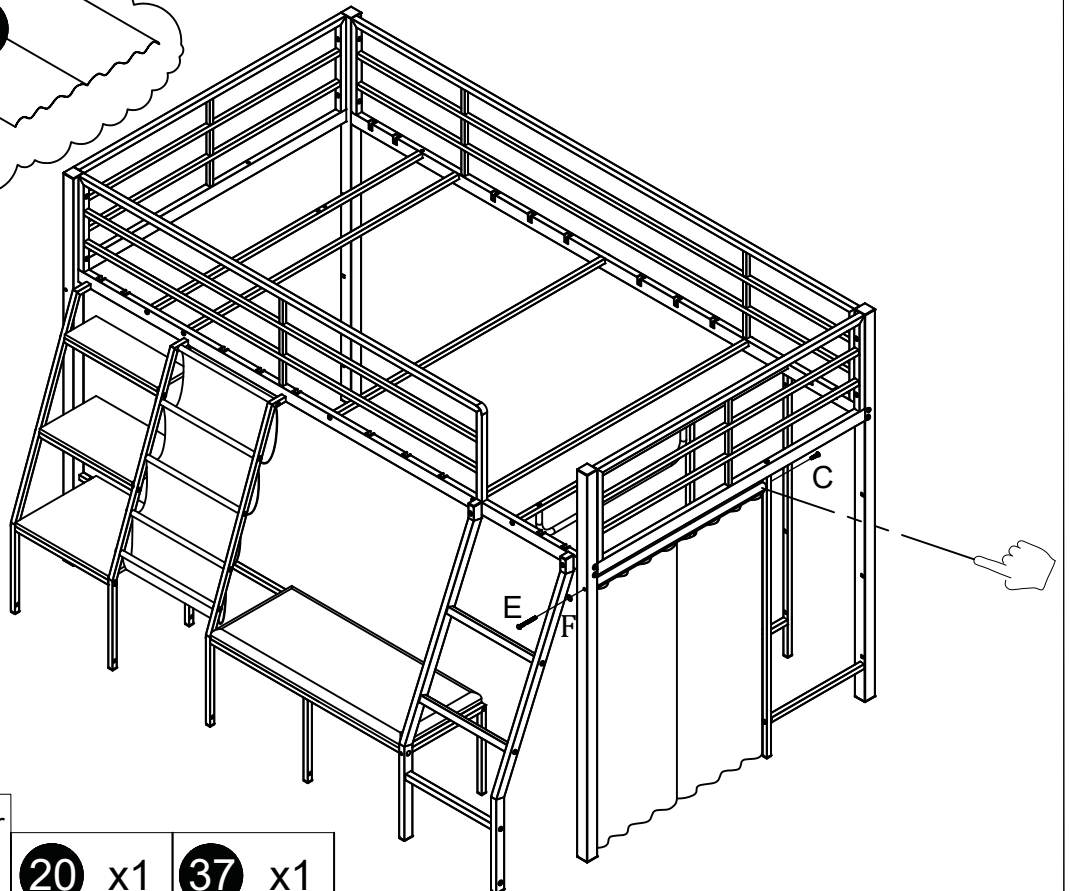
22 x2

26 step:a

At this step, install the curtains first and then arrange them according to your desired placement



step:b



E M6*60



C M6*25



F M6 washer

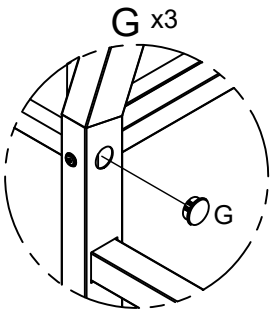
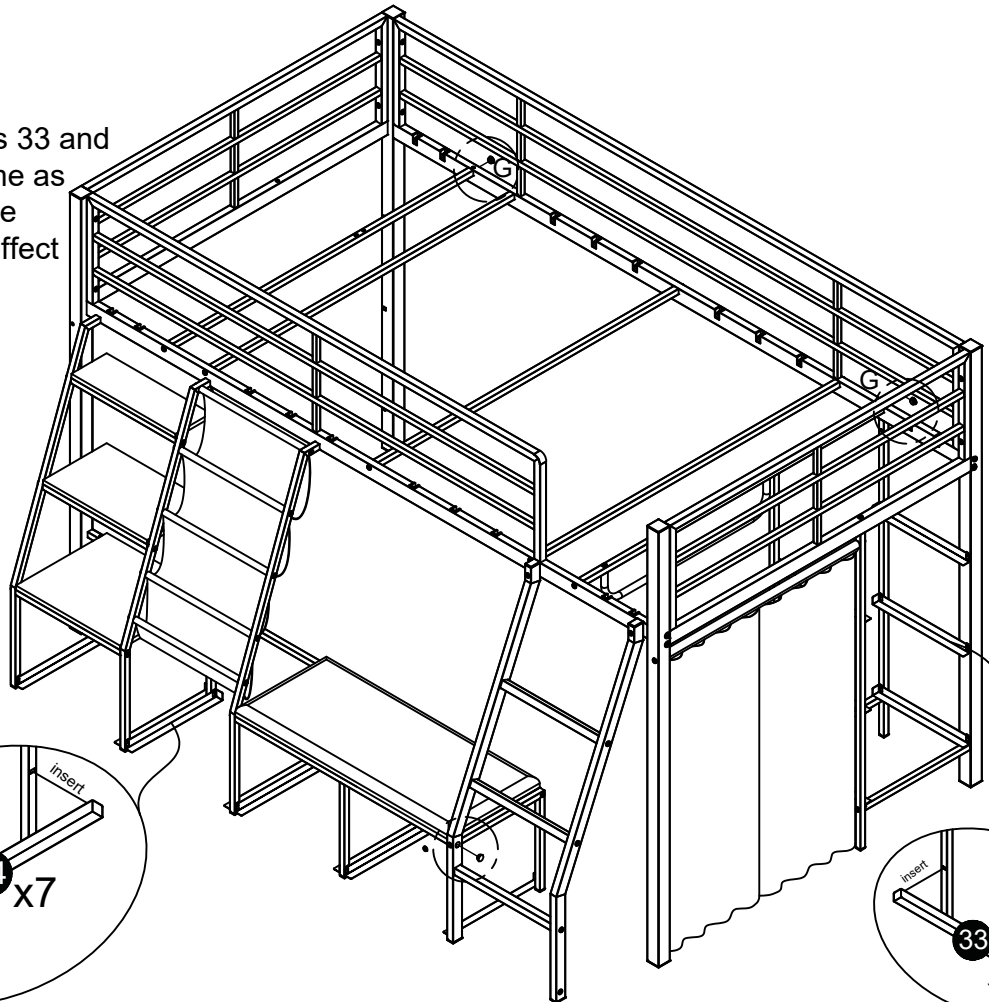


20 x1

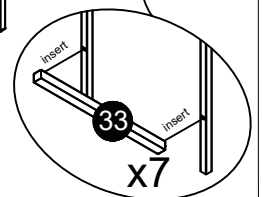
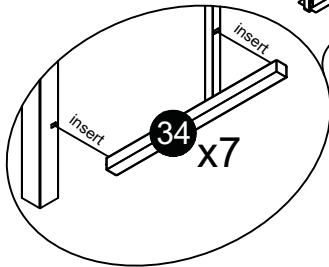
37 x1

27

The properties of numbers 33 and 34 in this step are the same as those in step 24. Assemble according to the desired effect

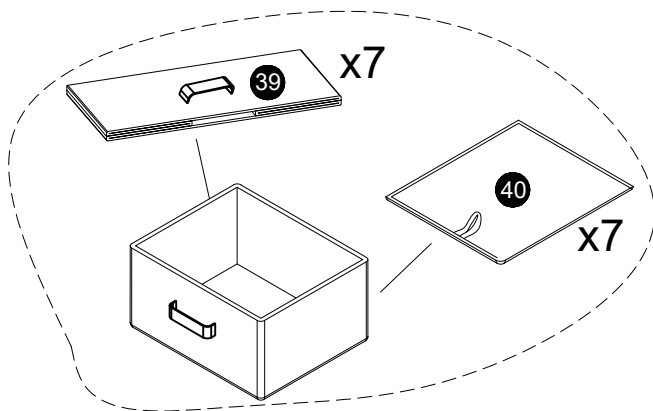


- G Ø14 x3
- 33** x7
- 34** x7

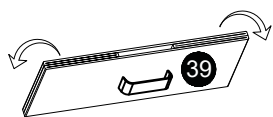


28

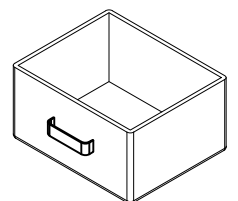
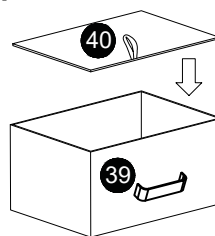
Please note that the color of the cloth tube and its base plate should always be the same.



Step:a

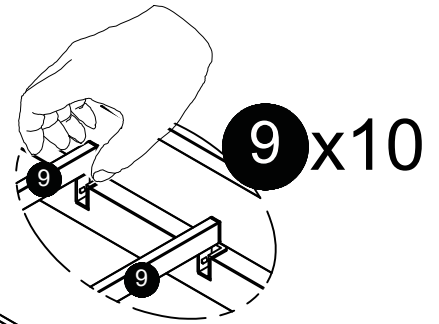
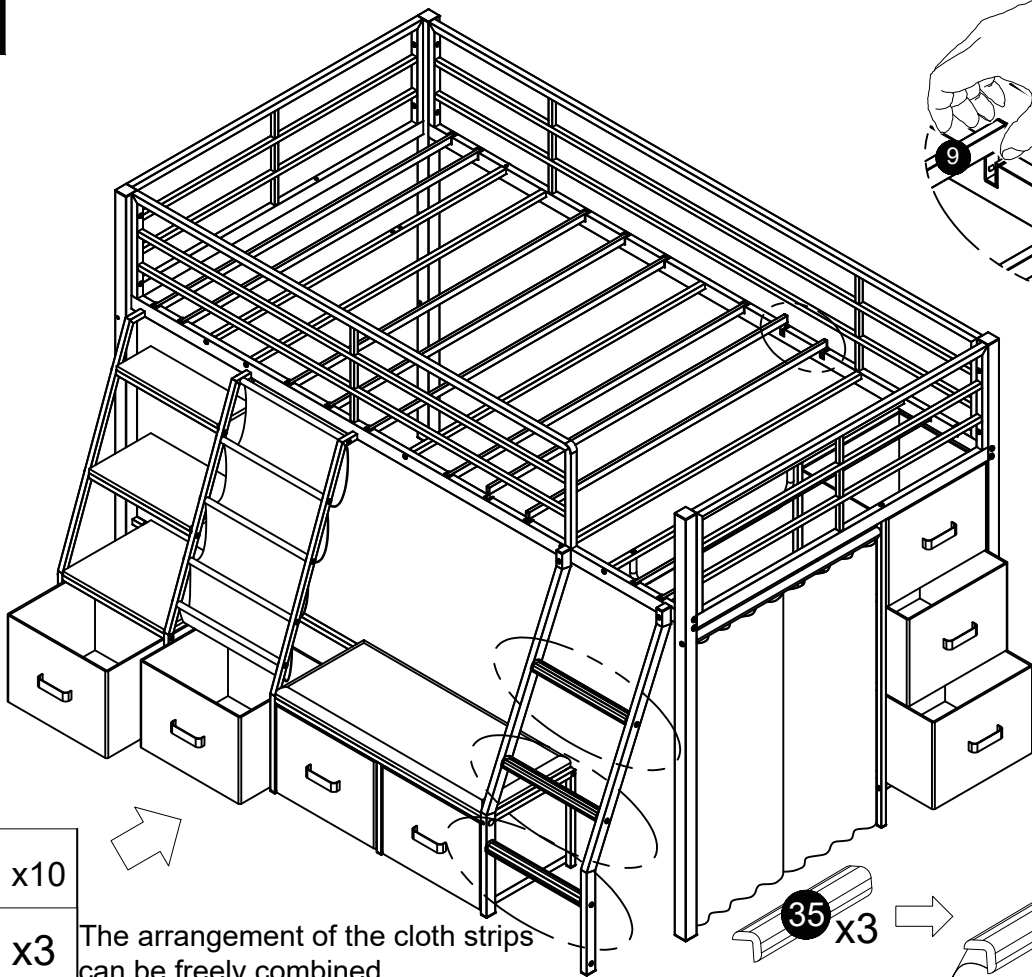


Step:b



- 39** x7
- 40** x7

29

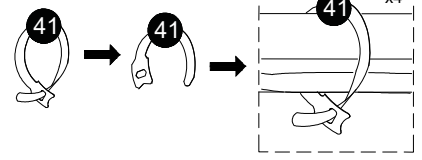
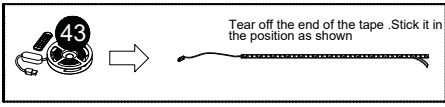
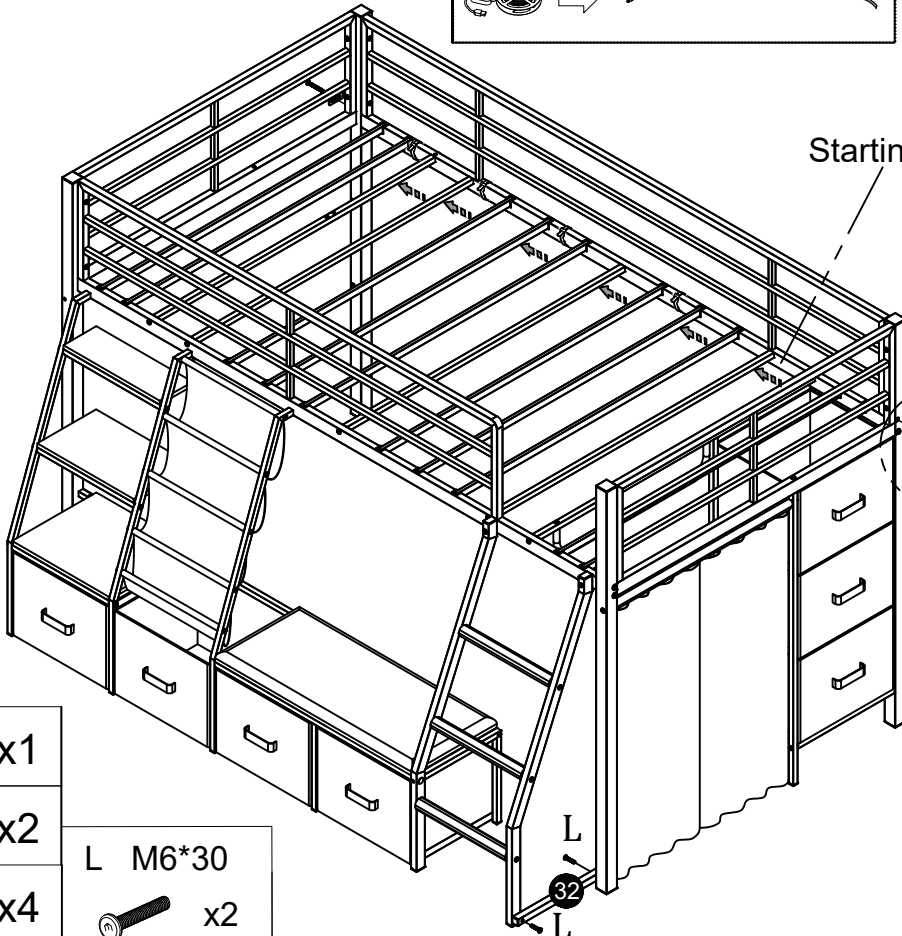


9 x10

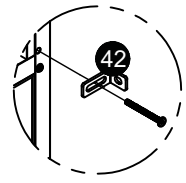
35 x3

The arrangement of the cloth strips can be freely combined.

30



Starting point of the light strip



For safety reasons, the iron sheet against the wall should be assembled as required in this step

32 x1

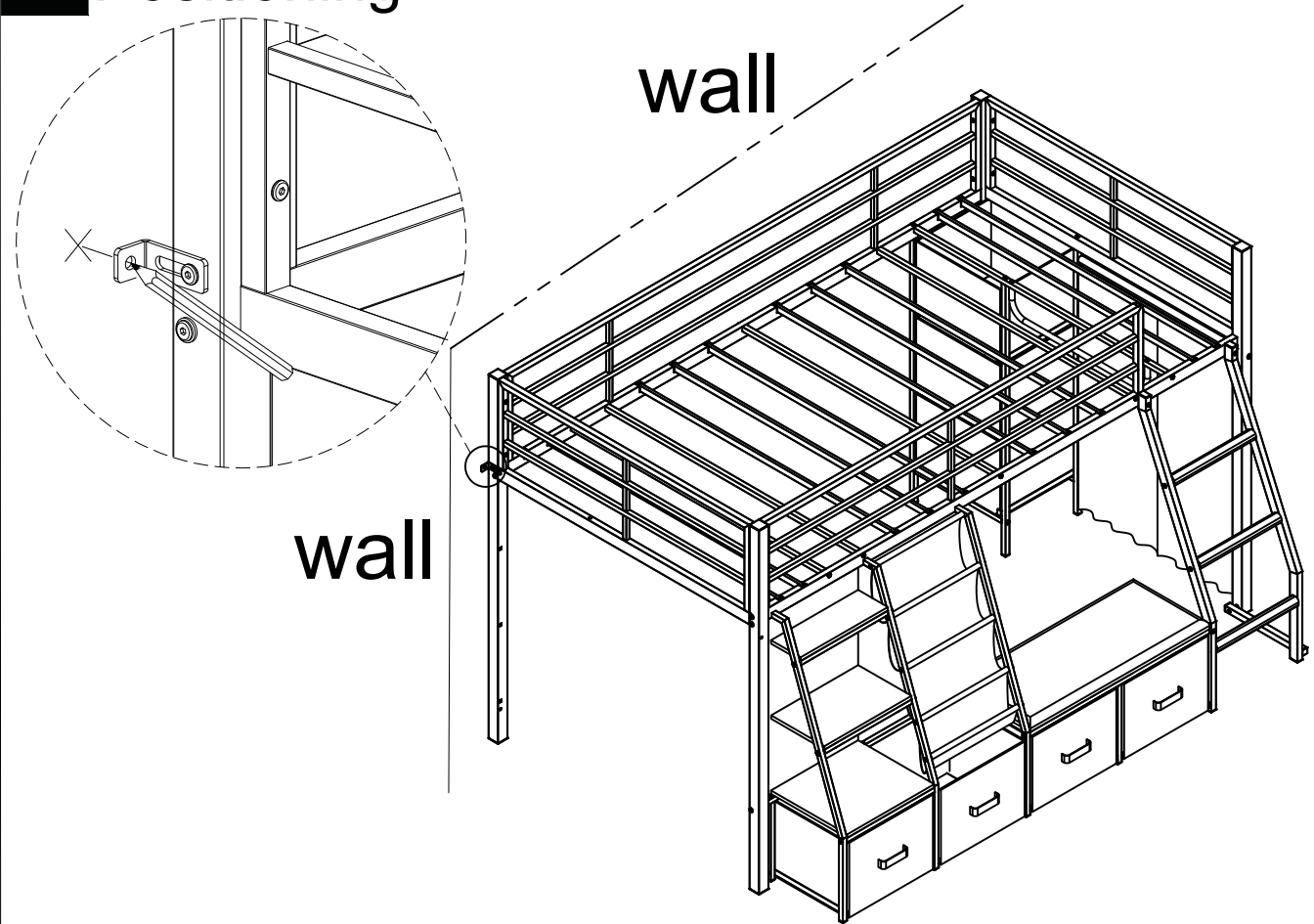
42 x2

41 x4

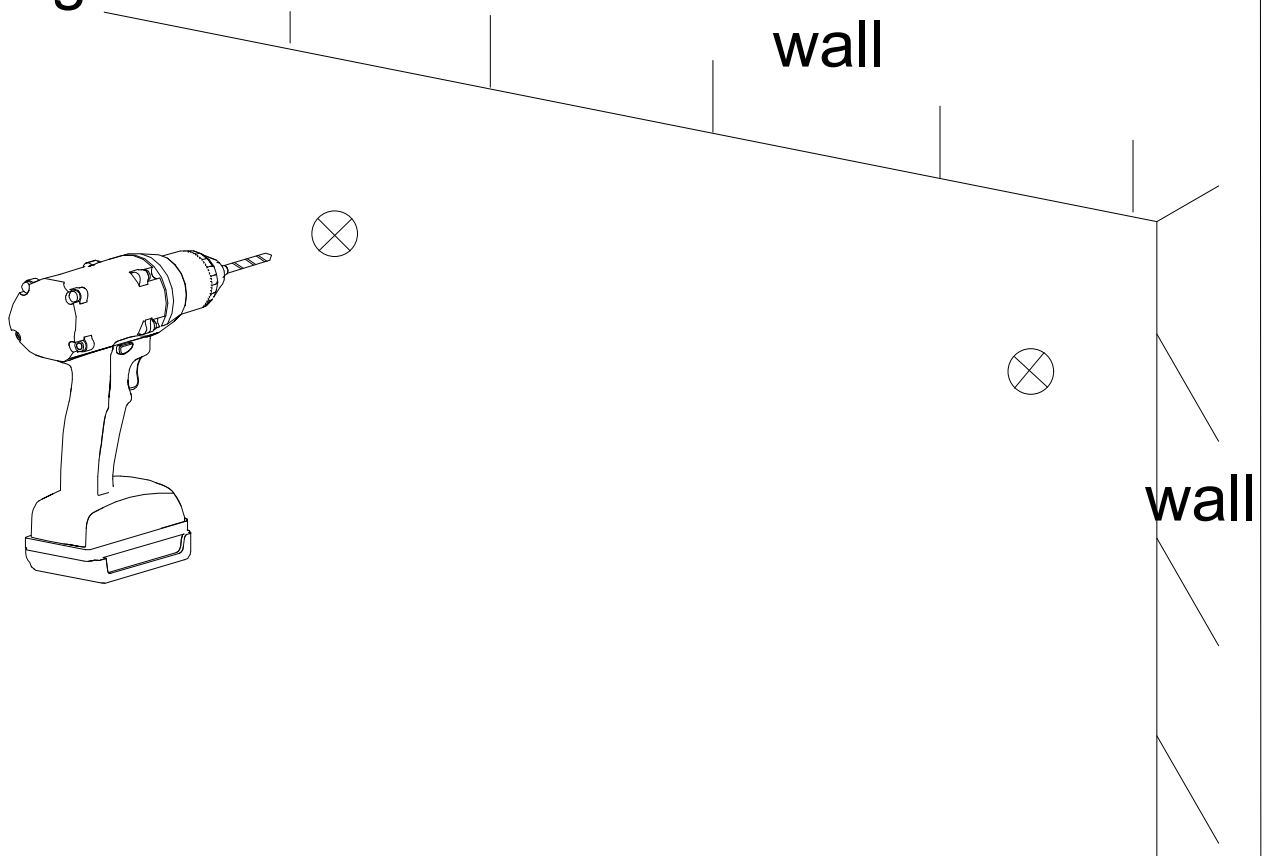
L M6*30

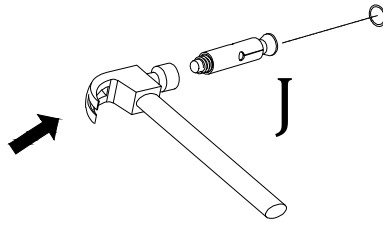
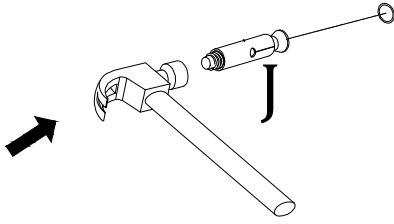
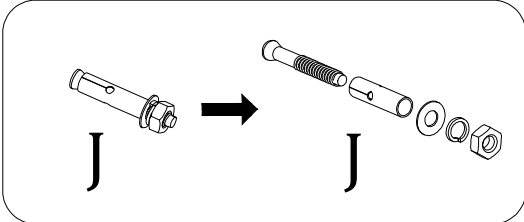


31 Positioning



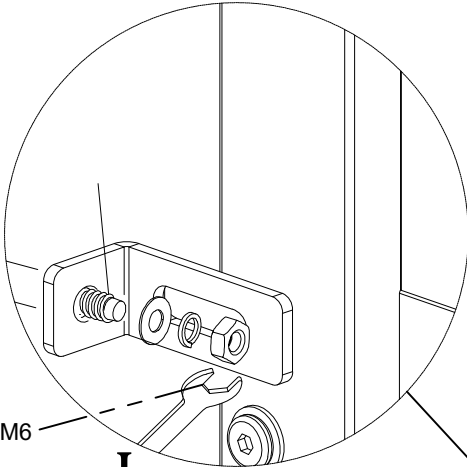
32 Drilling





wall

Please lock the expansion screw onto the wall.



M6

I

X2

wall

wall

