


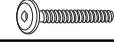

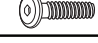




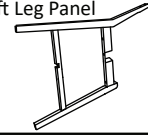
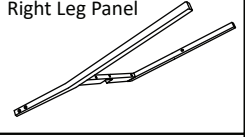
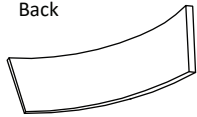
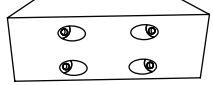
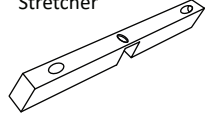

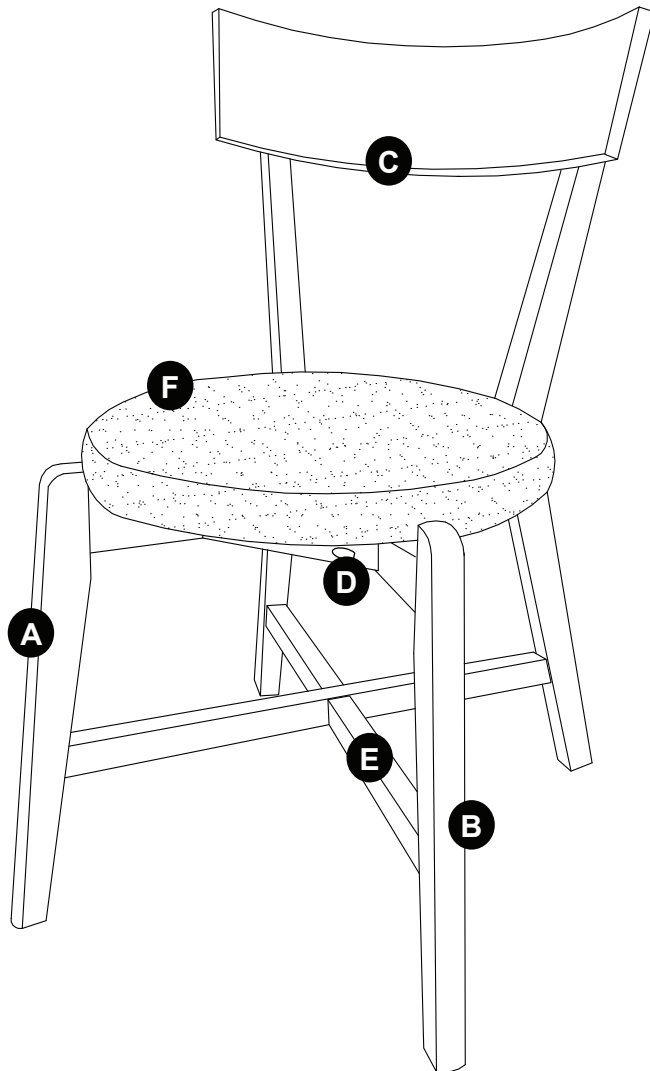


Wood Upholstered Dining Side Chair

Examine all packaging material for small parts that may have come loose during shipment. Periodic checks are recommended to insure that all components are in proper position, tight and free from damage. Keep this assembly instruction for future reference. Adult assembly is required. This product is designed for residential use only.

CODE	QTY	HARDWARE
1	1	M4 x 110mm Allen Wrench 
2	4	M6x 60mm JCBC Bolts 
3	2	M6 x 50mm JCBC Bolts 
4	4	M6 x 35mm JCBC Bolts 
5	4	M6 x 25mm JCBC Bolts 
6	1	M7 x 20mm JCBC Bolts 
7	10	1/4" Spring Washers 
8	6	M6 x 13mm Flat Washers 
9	1	M7 x 50mm ZB (10#) Hex Connecting Screws 
10	4	Ø14.5 x 9mm Wood Plugs 

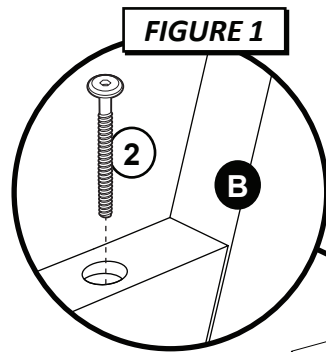
CODE	QTY	COMPONENTS	CODE	QTY	COMPONENTS
A	1	Left Leg Panel 	B	1	Right Leg Panel 
C	1	Back 	D	1	Corner Block 
E	1	Stretcher 	F	1	Cushion Seat 



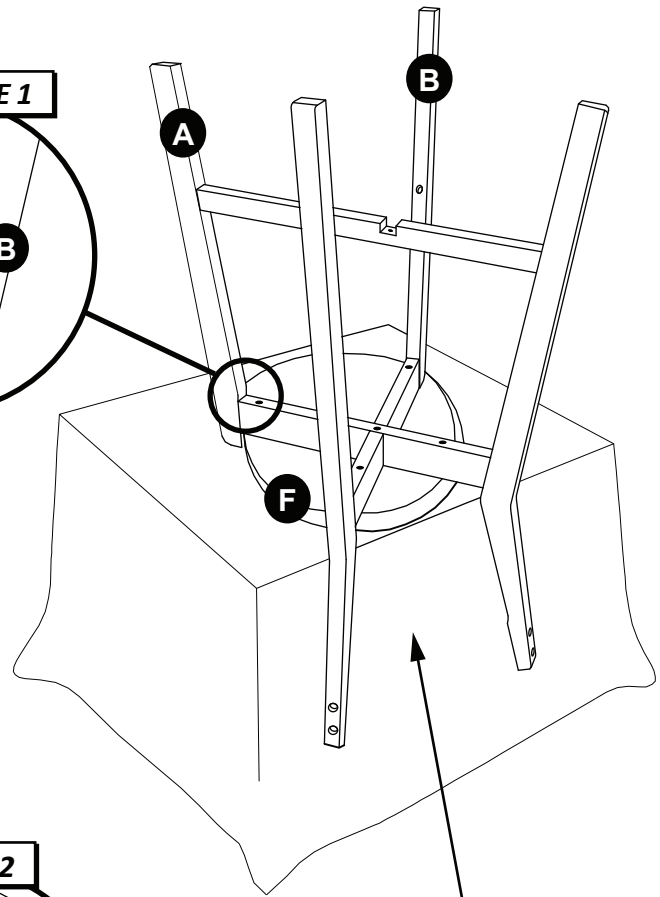
⚠ WARNING

- Do not let any sharp objects touch or rub the surface of the product.
- When assembling, do not let children play around the working area.
- Please confirm all parts are correct before starting the assembly process.
- Do not tighten all bolts and screws completely until the entire unit has been assembled and set up.
- Be careful if using power tools as they can over tighten screws and strip threads.

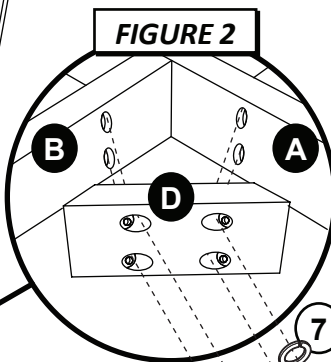
CARE & MAINTENANCE: The touch of a soft cloth is all the maintenance the finish will ever need. Please do not use harsh or abrasive cleaners for polishing, as they may cause damage to the finish. Periodic checks are recommended to make sure that all hardware is securely tightened.



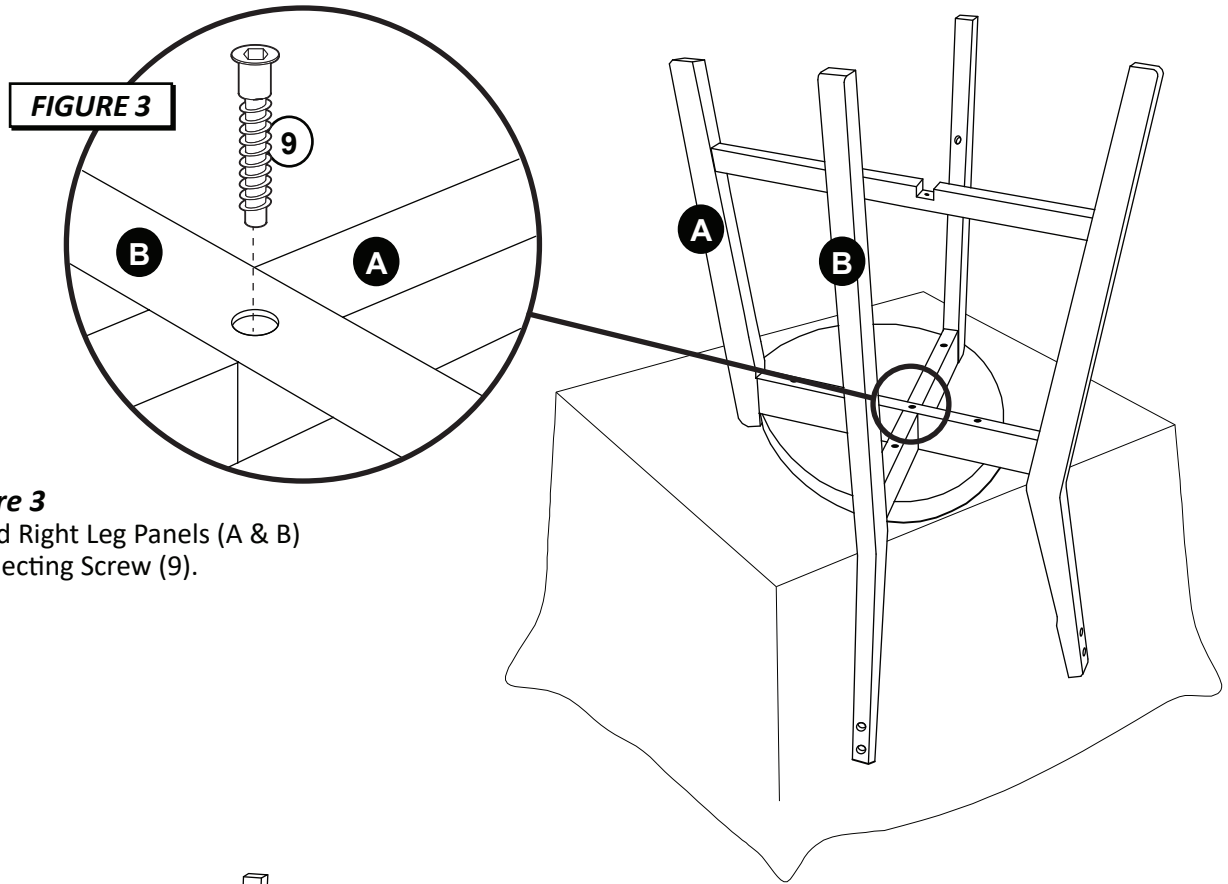
STEP 1 - Figure 1
Begin assembly by attaching Left and Right Leg Panels (A & B) to Seat (F) using 4 Bolts (2).



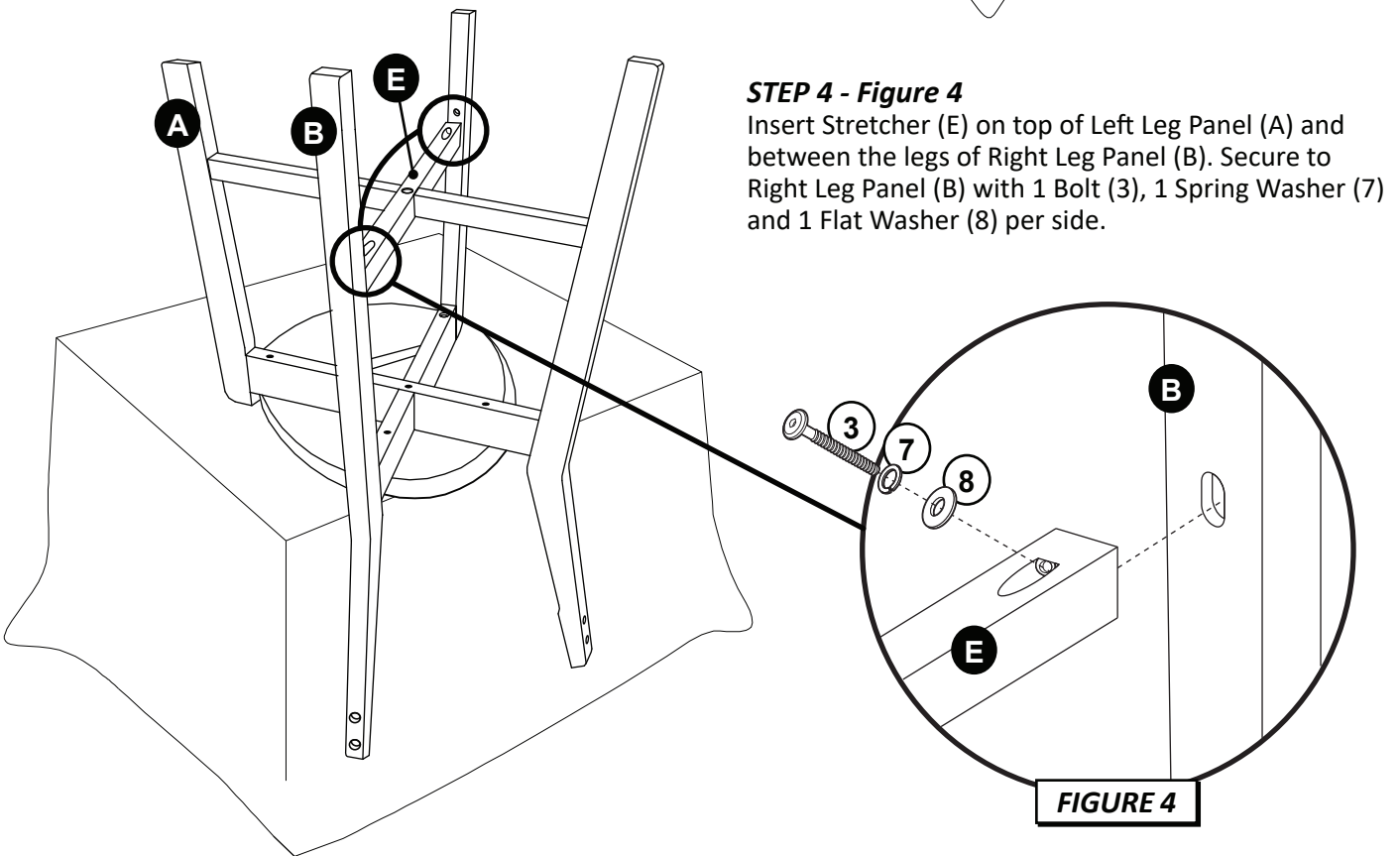
A flat, smooth, clean surface is recommended to use for assembly.



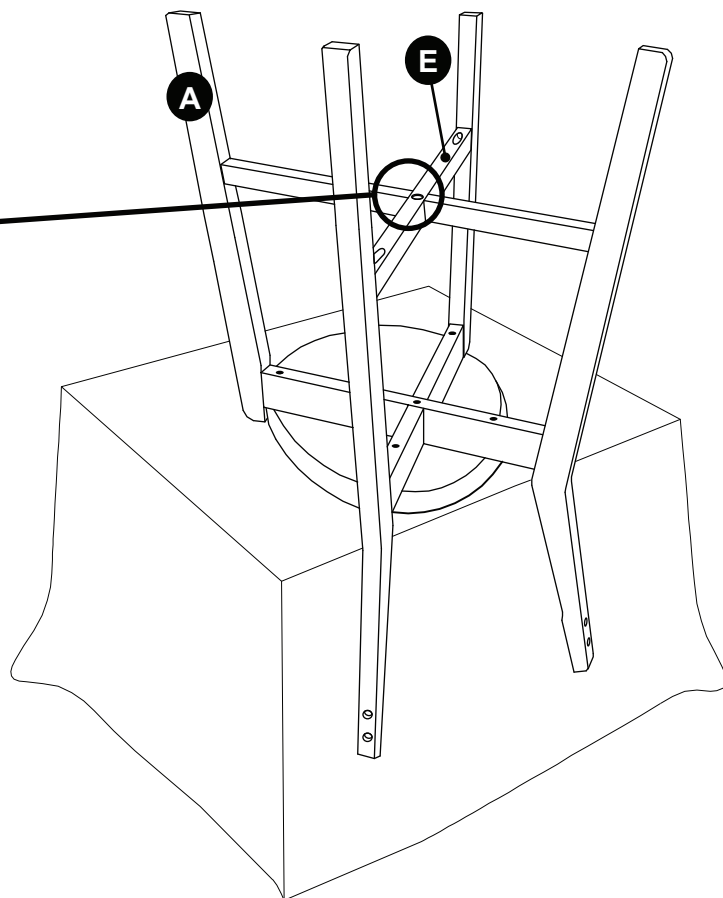
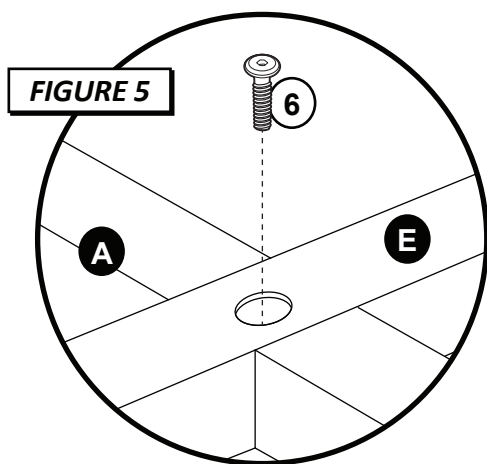
STEP 2 - Figure 2
Attach Corner Block (D) in between Left and Right Leg Panels (A & B) using 4 Bolts (4) and 4 Spring Washers (7).



STEP 3 - Figure 3
Secure Left and Right Leg Panels (A & B) with Hex Connecting Screw (9).



STEP 4 - Figure 4
Insert Stretcher (E) on top of Left Leg Panel (A) and between the legs of Right Leg Panel (B). Secure to Right Leg Panel (B) with 1 Bolt (3), 1 Spring Washer (7) and 1 Flat Washer (8) per side.



STEP 5 - Figure 5

Secure Stretcher (E) to Left Leg Panel (A) with 1 Bolt (6).

STEP 6 - Figure 6

Attach Back (C) to Left and Right Leg Panels (A & B) with 2 Bolts (5), 2 Spring Washers (7) and 2 Flat Washers (8) per panel. Tighten all bolts with Allen Wrench (1) provided. The assembly is now complete.

