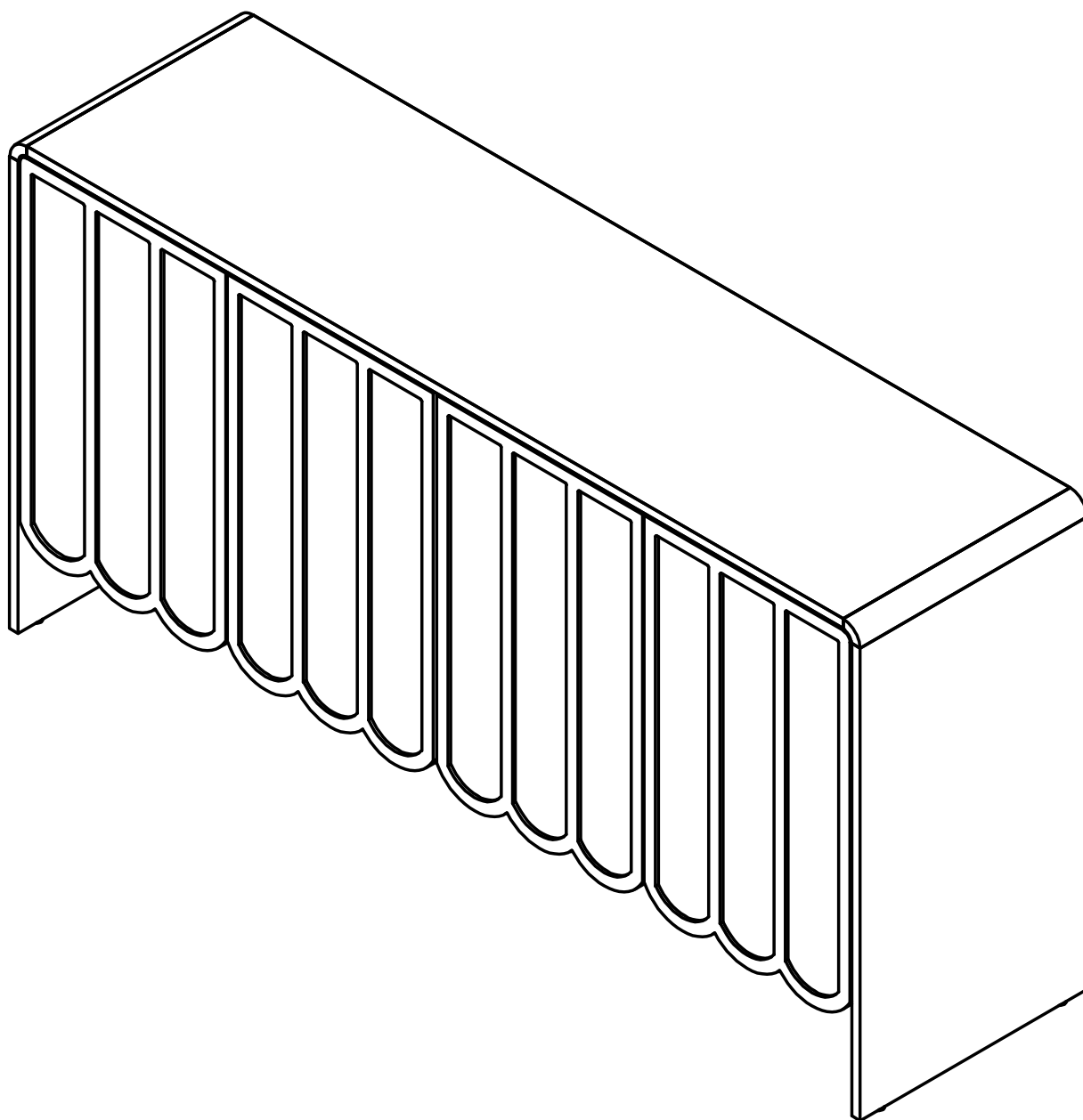


Installation instruction



Assembling

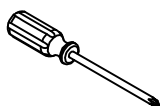
Estimated time for assembly



45 : 00

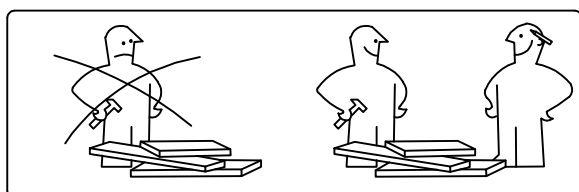
What you need

- Use the packaging carton as a working surface to prevent product damage during assembly
- Phillips head screwdriver



Weight Limitation


100 | **35**
 lbs table top lbs per

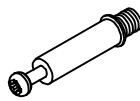


What' included

Code	Description	Qty
A	Cam Bolt M6X35MM	26
B	Cam Lock 15X12MM	26
C	Wooden Dowel M8X30MM	18
D	Screw M3.5X12MM	16
E	Screw M4X35MM	4
F	Anchor	2
G	The back button	16
H	Shelf Holder	8
I	Screw M3.5X14MM	62
J	Door Rebound Device	4
K	Door Rebound Device Holder	4
L	MATS	4
M	Nylon Strap	2
N	Hole Stickers	10
O	Adjustable foot pads	1
P	Hinge Medium bend	4
Q	Hinge Large bend	4

The Hardwares

A x 26



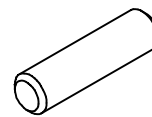
Ø6×35 mm

B x 26



Ø15×12 mm

C x 18



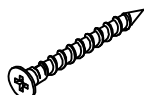
Ø8×30 mm

D x 16



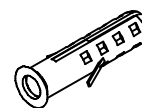
Ø3.5×12 mm

E x 4

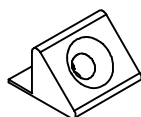


Ø4×35 mm

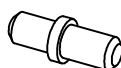
F x 2



G x 16



H x 8

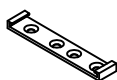


I x 62

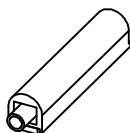


Ø3.5×14 mm

J x 4



K x 4



L x 4



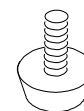
M x 2



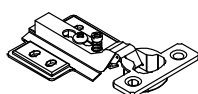
N x 10



O x 1



P x 4



Q x 4



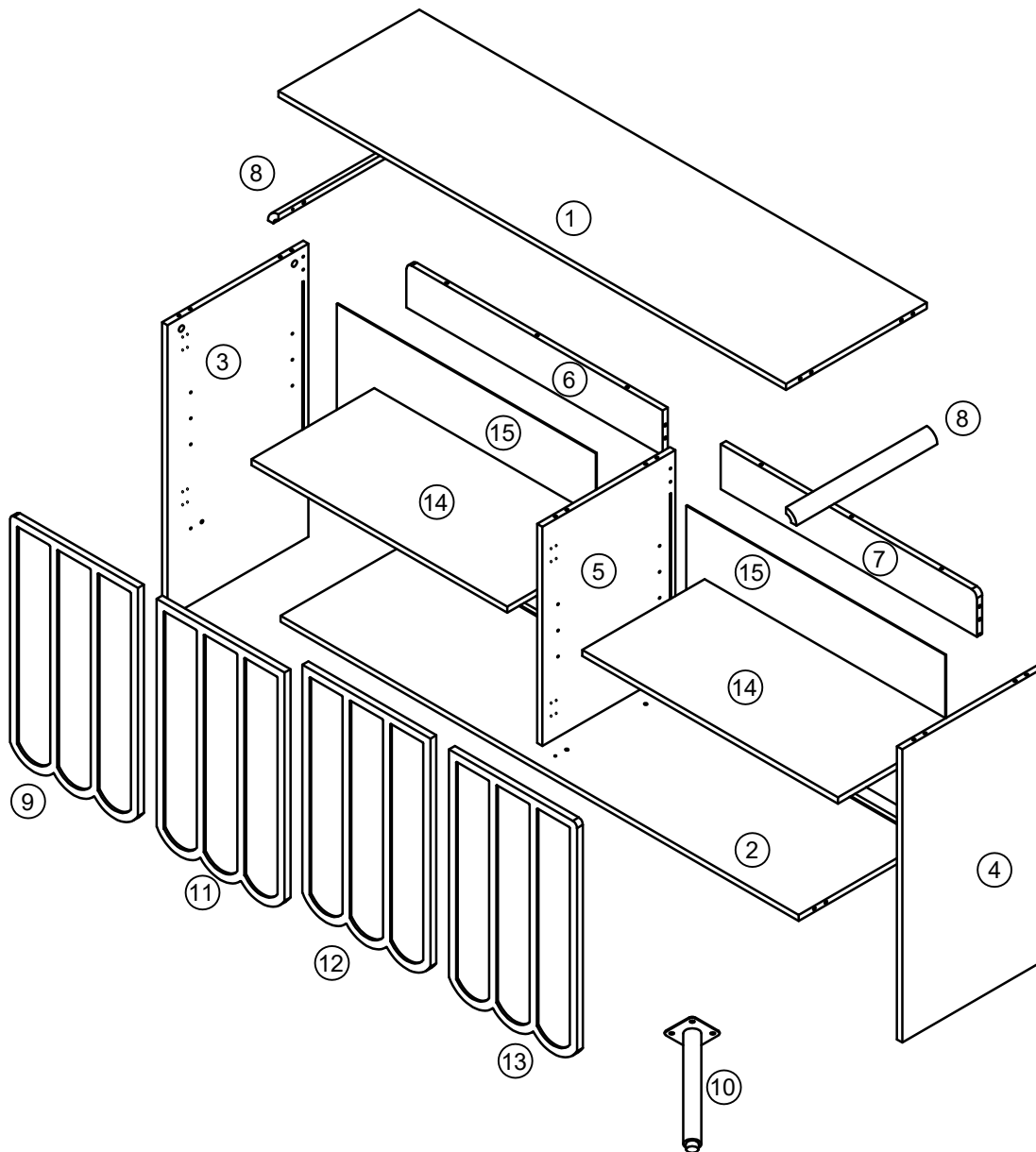
IMPORTANT:

1. Do not tighten bolts / screws completely until all bolts / screws are lined up and inserted into holes.
2. Do not over tighten screws and bolts to avoid stripping.
3. Please use hand tools to assemble this product. Do not use power tools.


Included Accessories

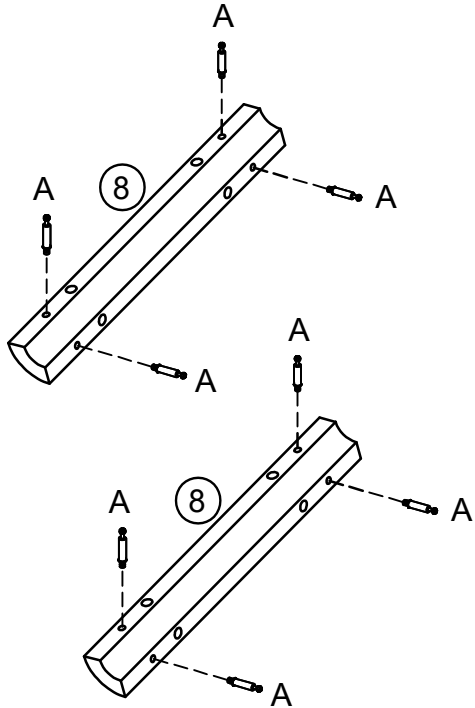
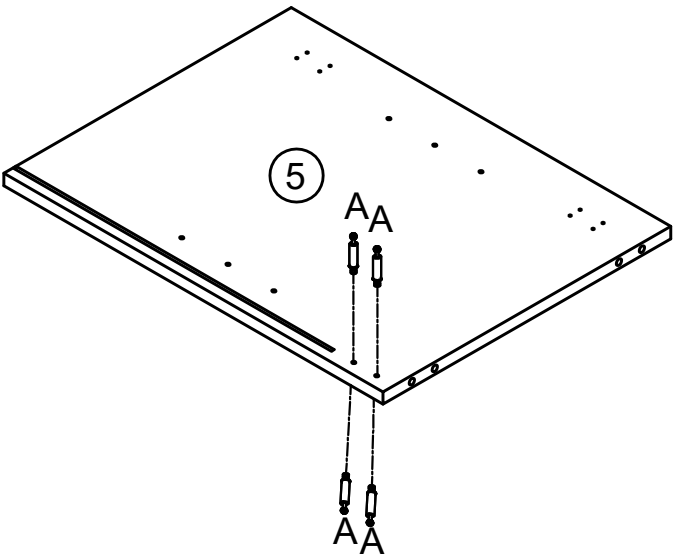
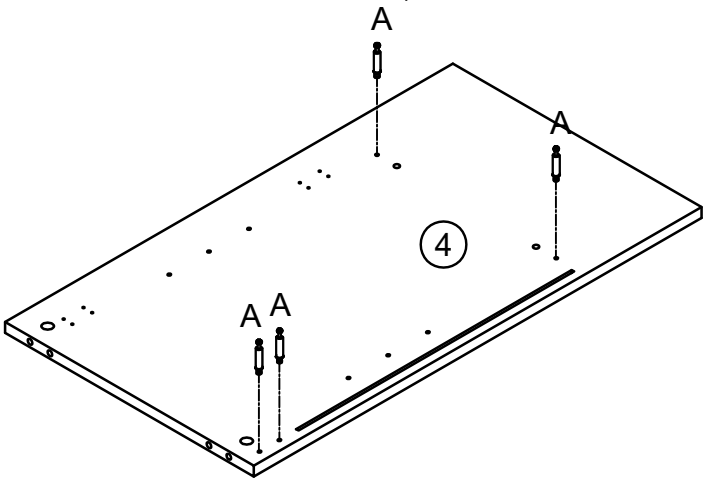
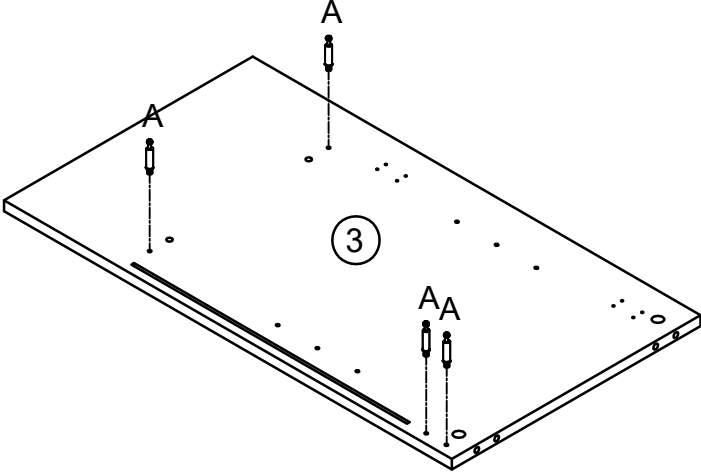
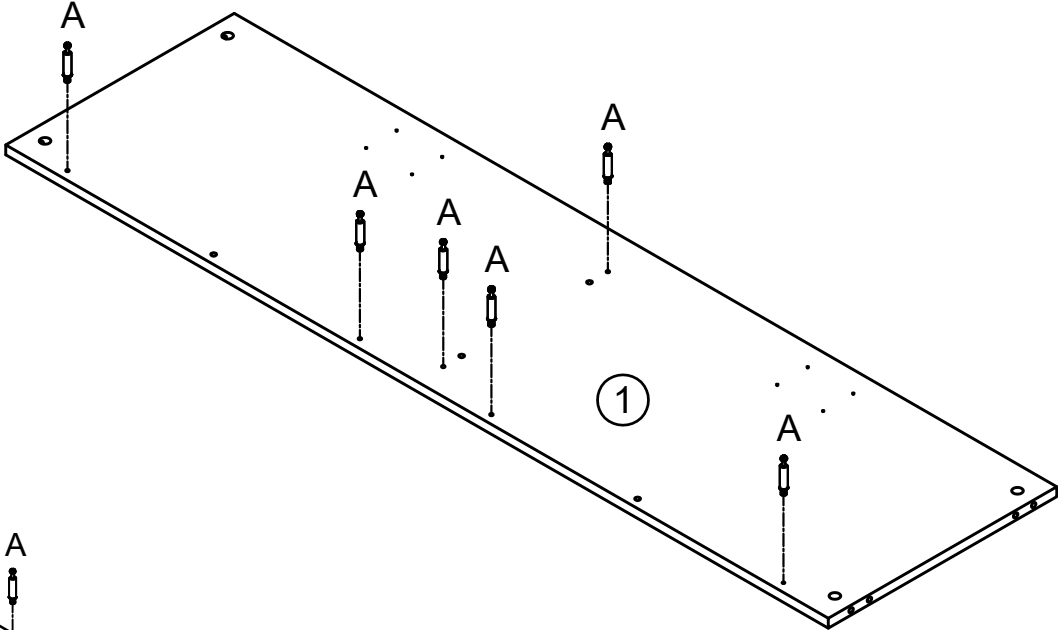
Code	Description	Qty
1	Cabinet panel	1
2	Bottom plate	1
3	Left side plate	1
4	Right side plate	1
5	Middle plate	1
6	Left back pull plate	1
7	Right back pull plate	1
8	Trim panel	2
9	Left door panel	1
10	Solid feet	1
11	Left door panel	1
12	Right door panel	1
13	Right door panel	1
14	Movable laminated plate	2
15	Back Panel	2

The Accessories

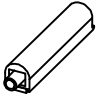
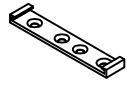






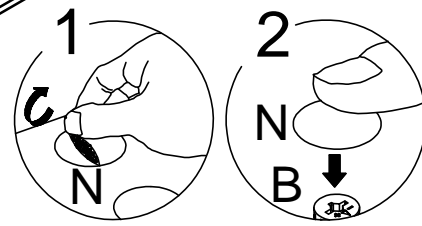
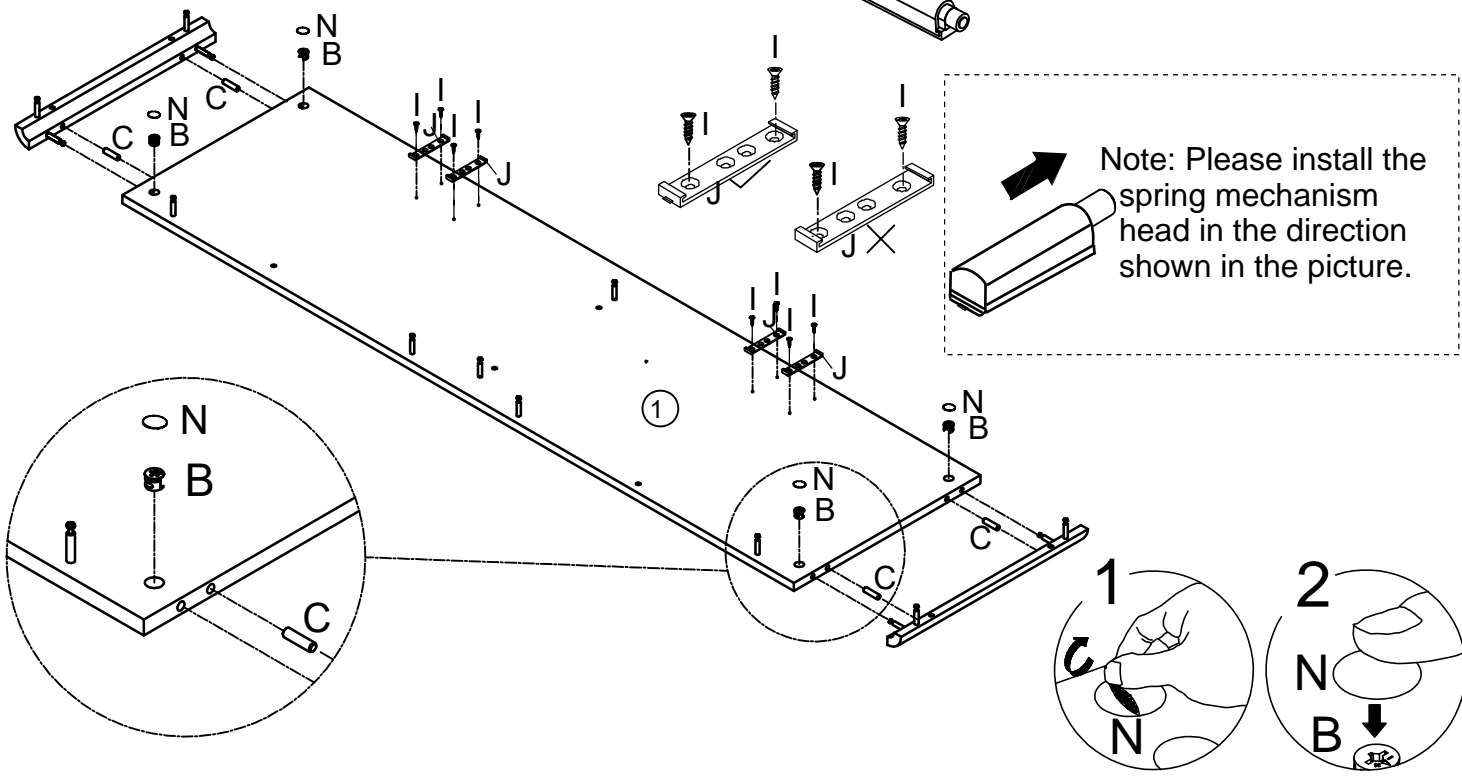
Step 1

A x 26

Ø6x35 mm



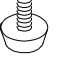
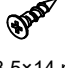
Step 2

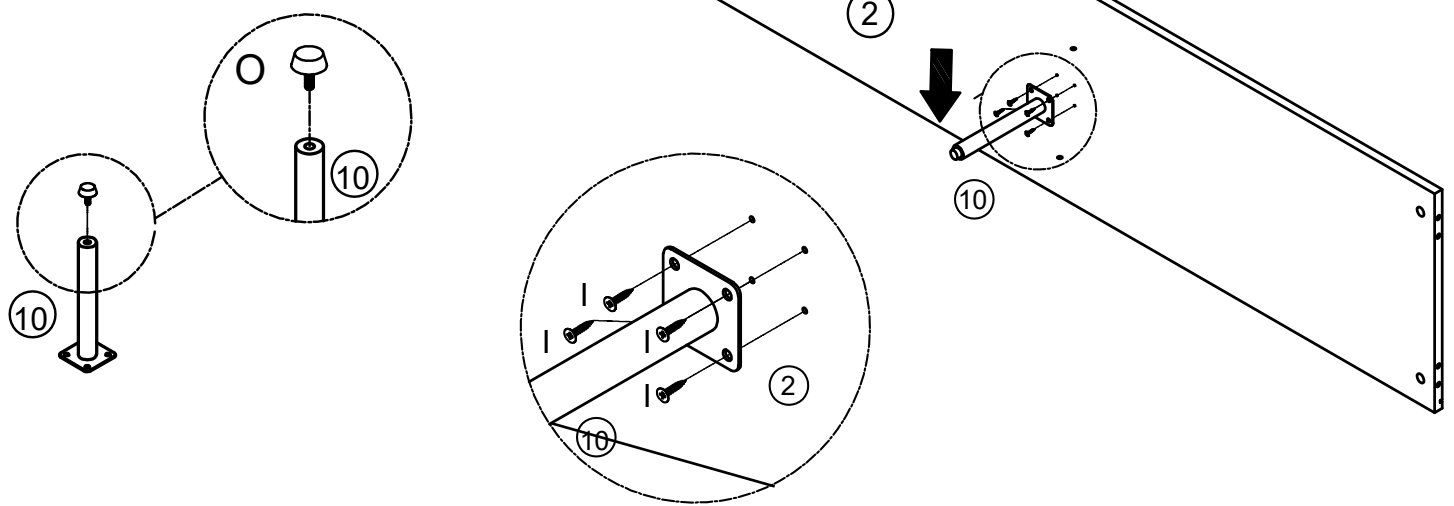
K x4 	J x4 	I x8 Ø3.5x14 mm 	C x4 Ø8x30 mm 	B x4 Ø15x12 mm 
				N x4 



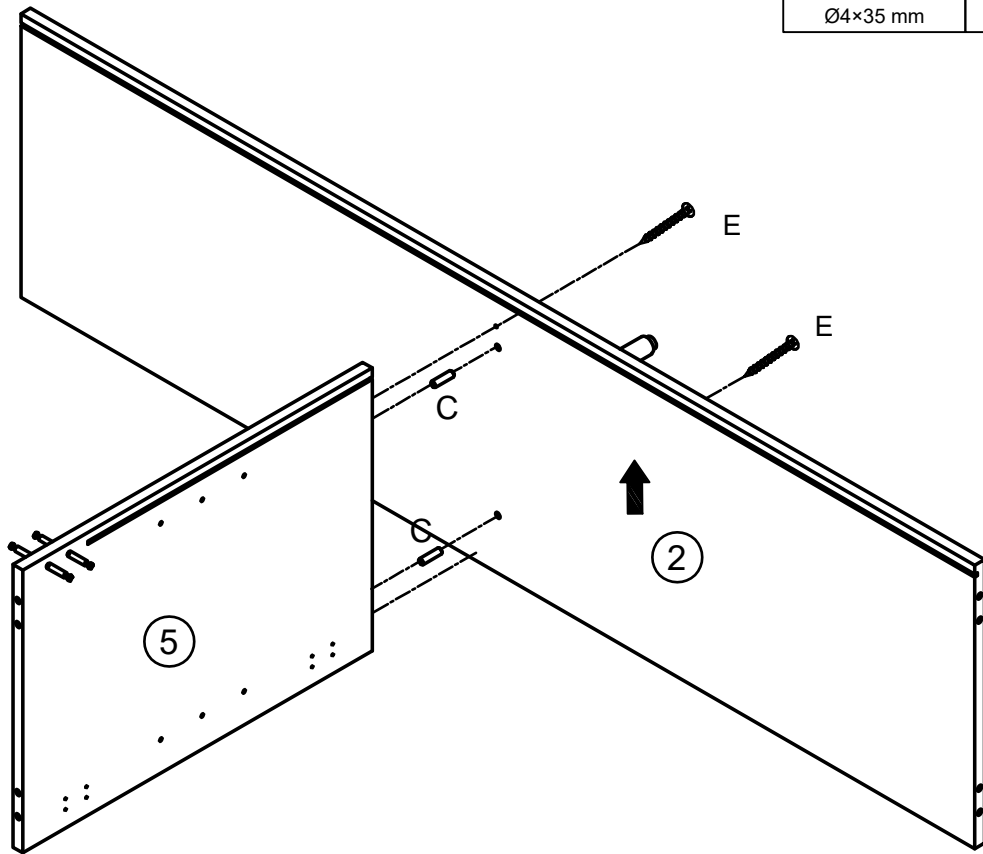
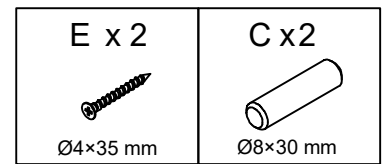
For beauty and safety.
Please attach N-hole stickers
at the end of this step.

Step 3

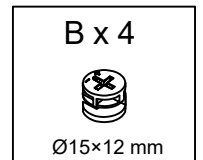
O x1 	I x4 Ø3.5x14 mm 
---	---



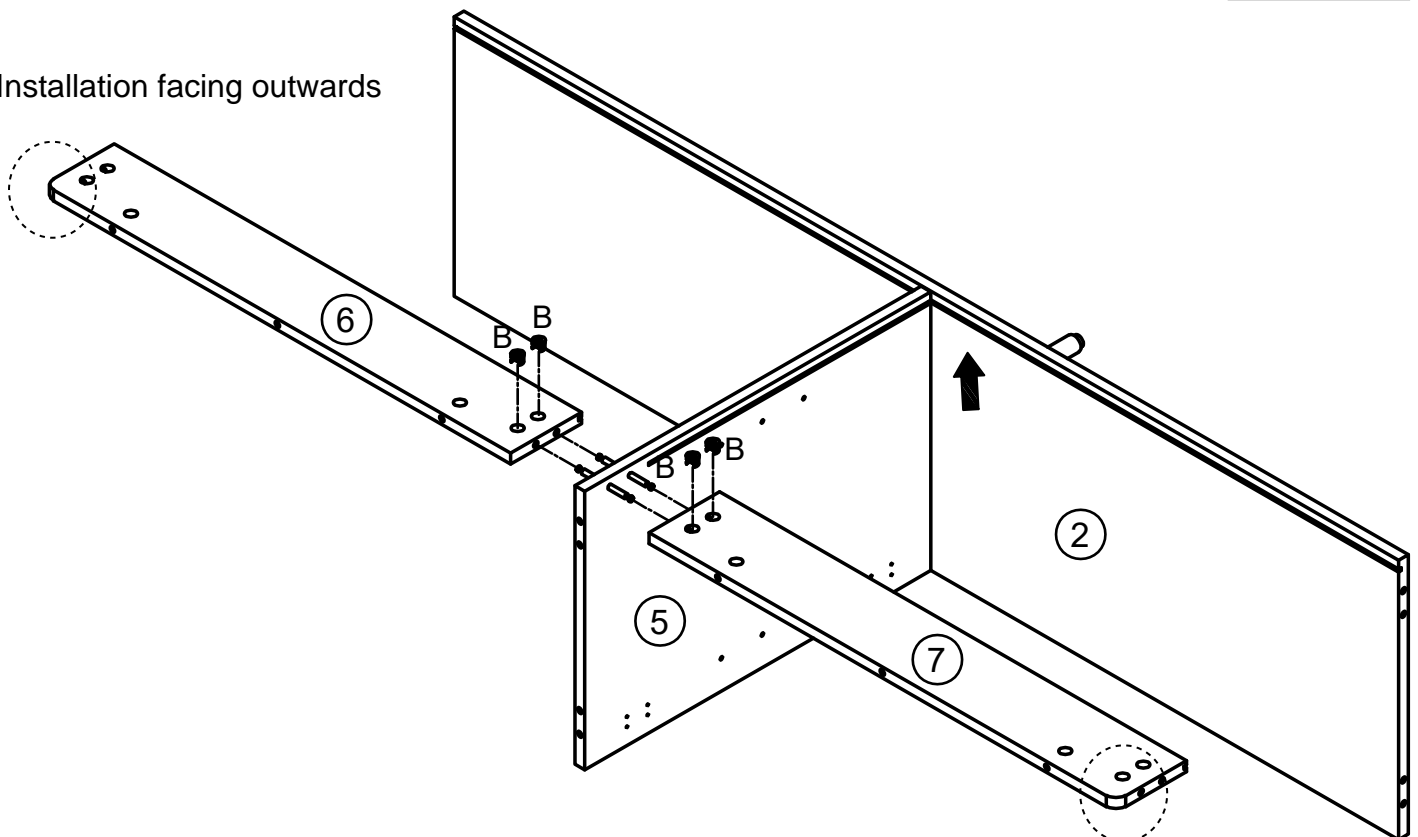
Step 4



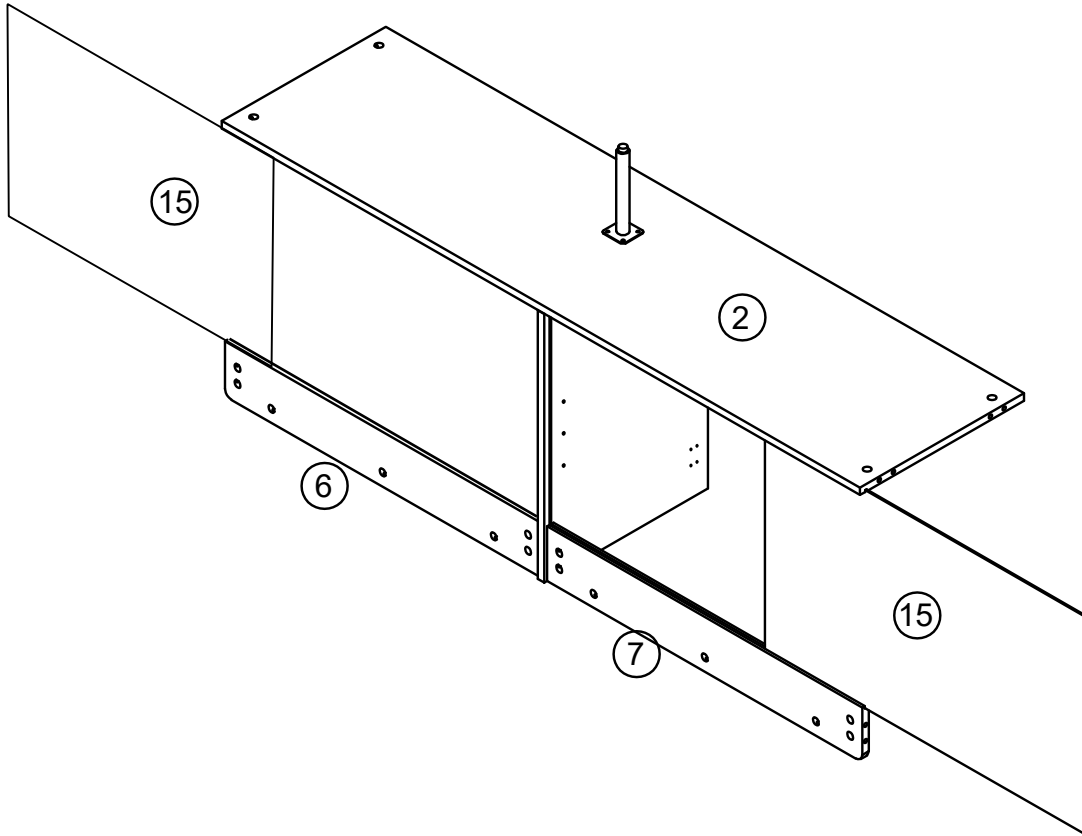
Step 5



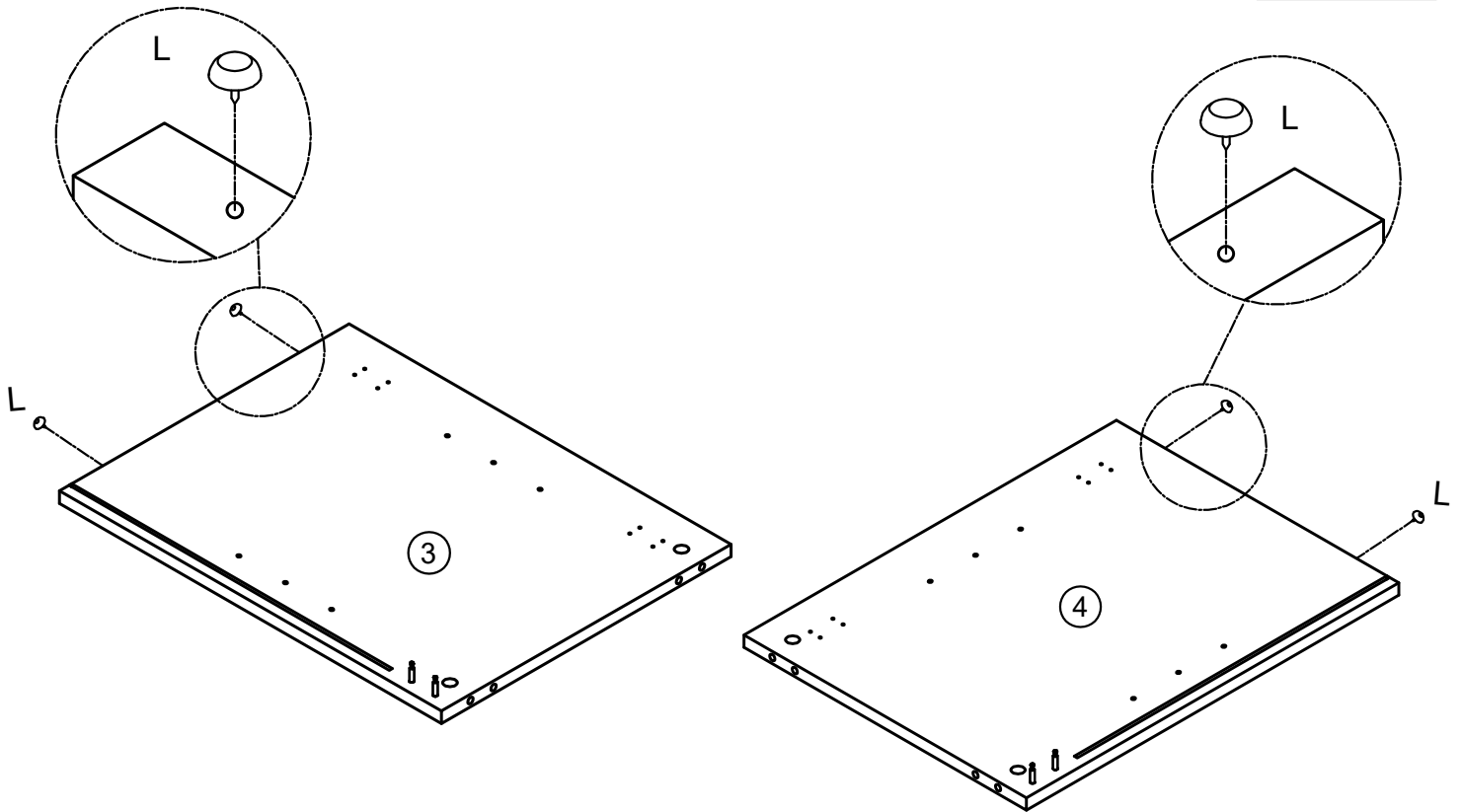
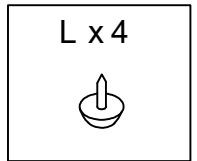
Installation facing outwards



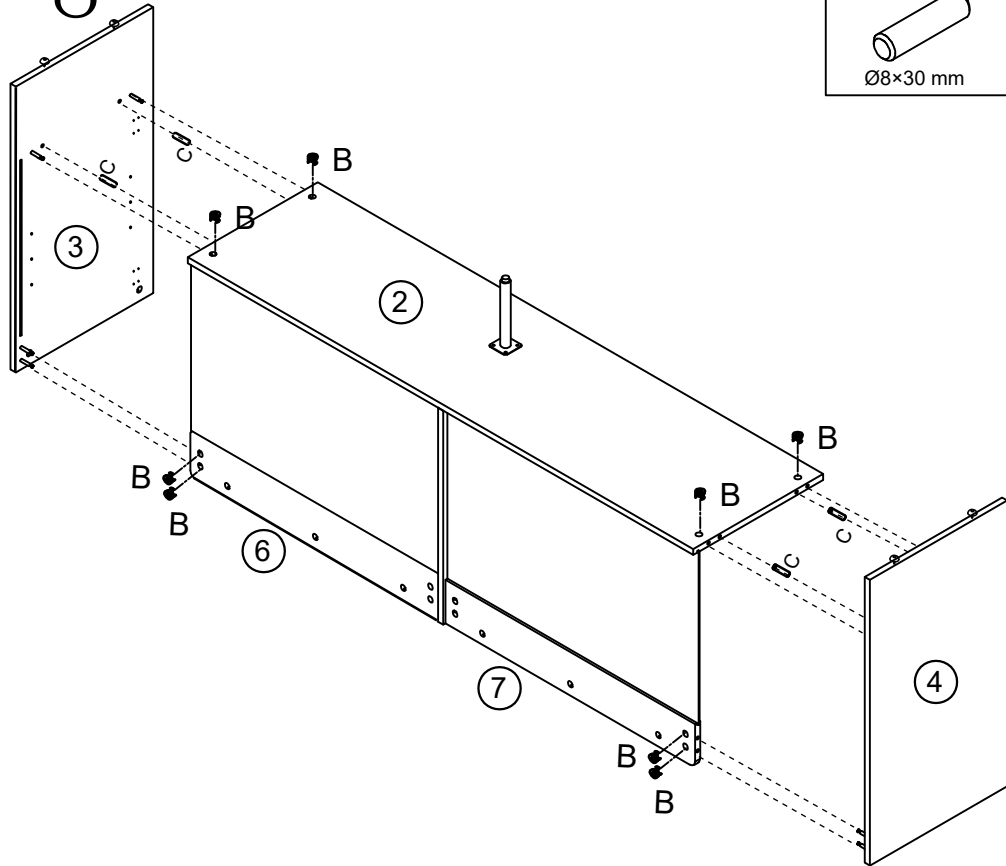
Step 6

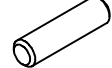



Step 7






Step 8

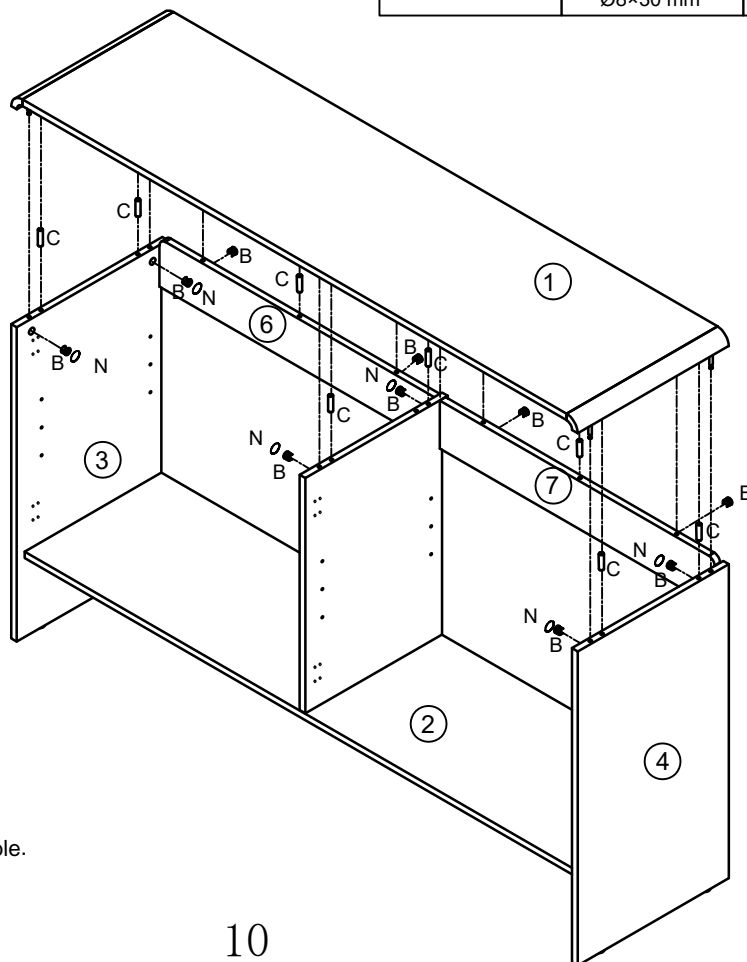
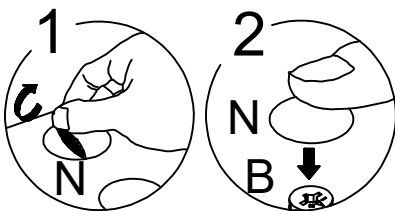


C x 4  Ø8x30 mm	B x 8  Ø15x12 mm
--	---

Step 9




N x 6 	C x 8  Ø8x30 mm	B x 10  Ø15x12 mm
---	--	--

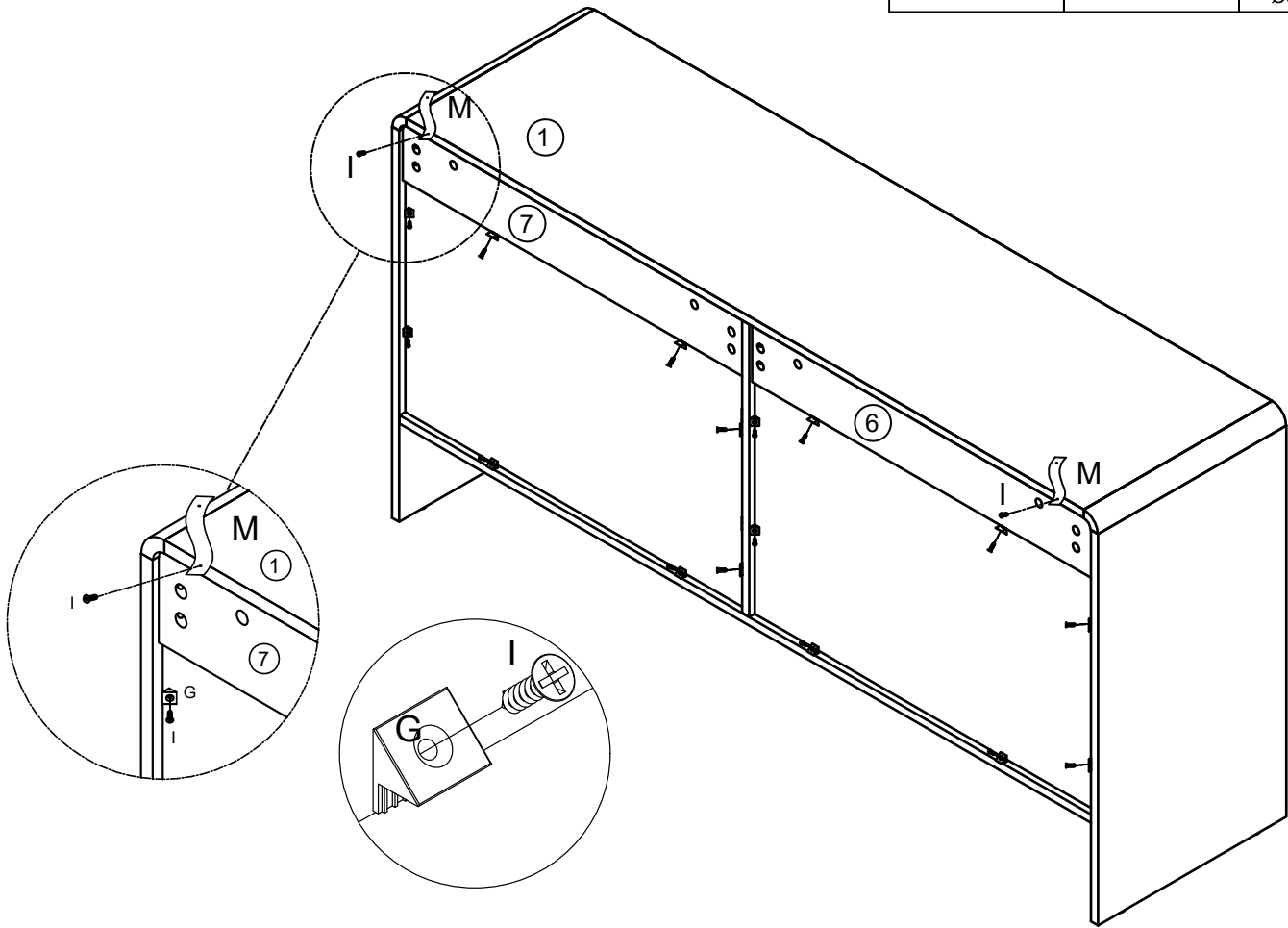
For beauty and safety.
Please attach four N-hole stickers
at the end of this step.




Two people work together to move the table.
Make sure you lift it off the ground.
Don't push and pull.

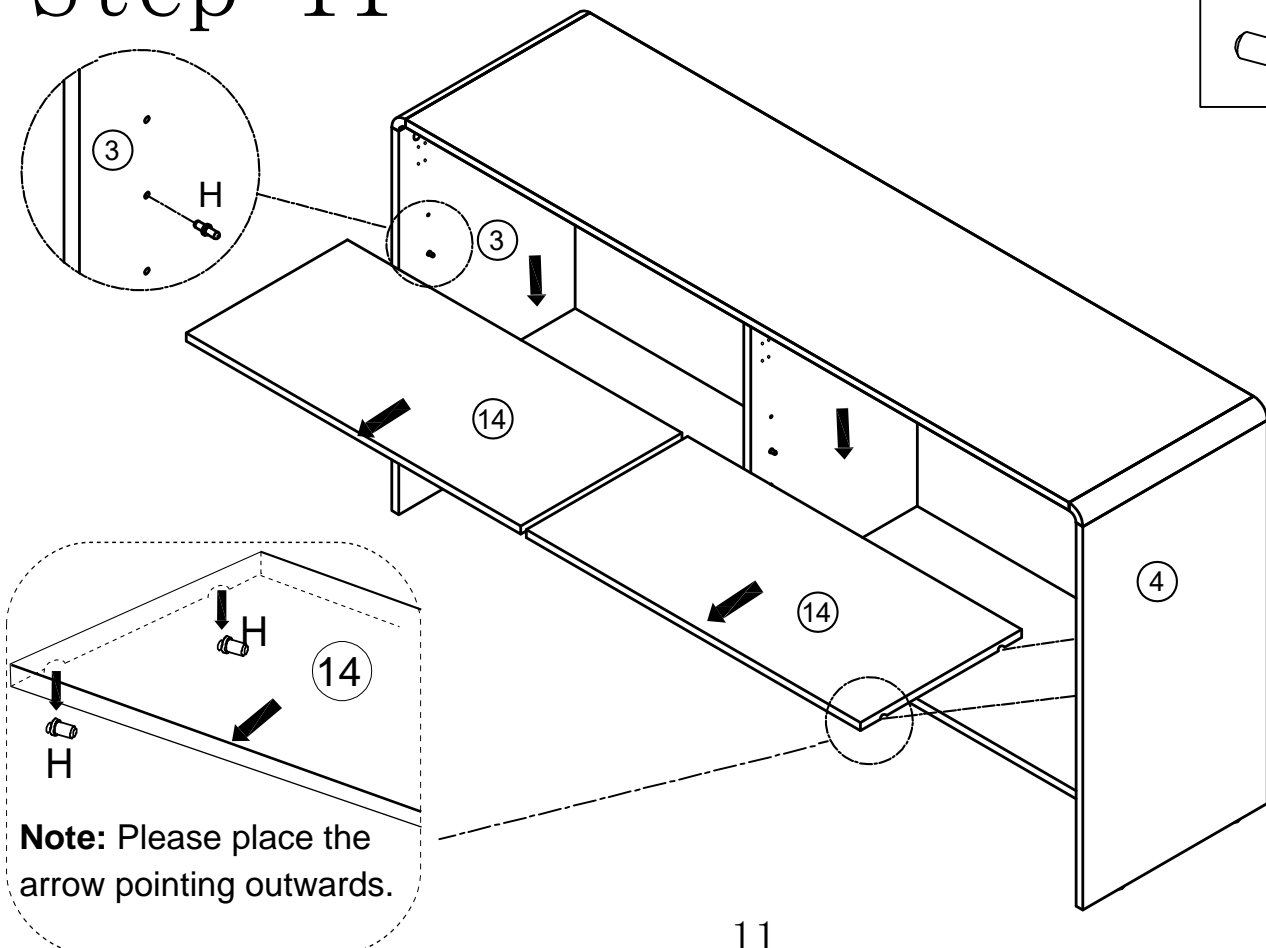
Step 10

M x 2 	G x 16 	I x 18  Ø3.5x14 mm
--	---	---





Step 11

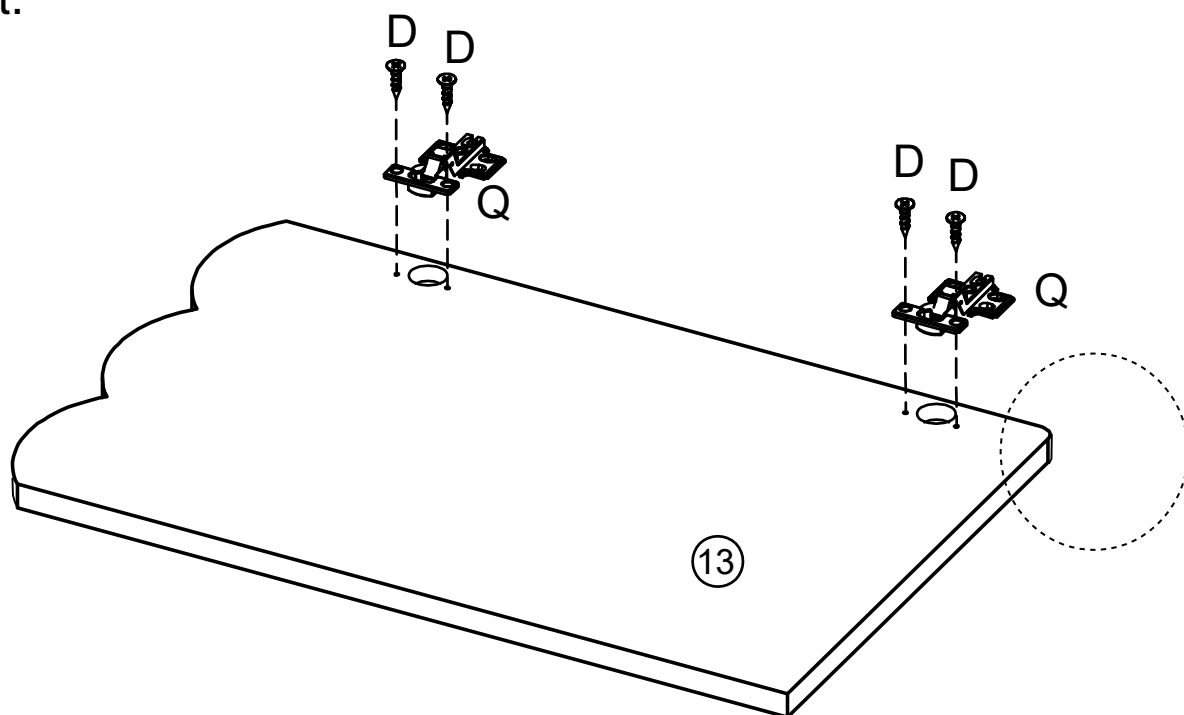
H x 8 
--



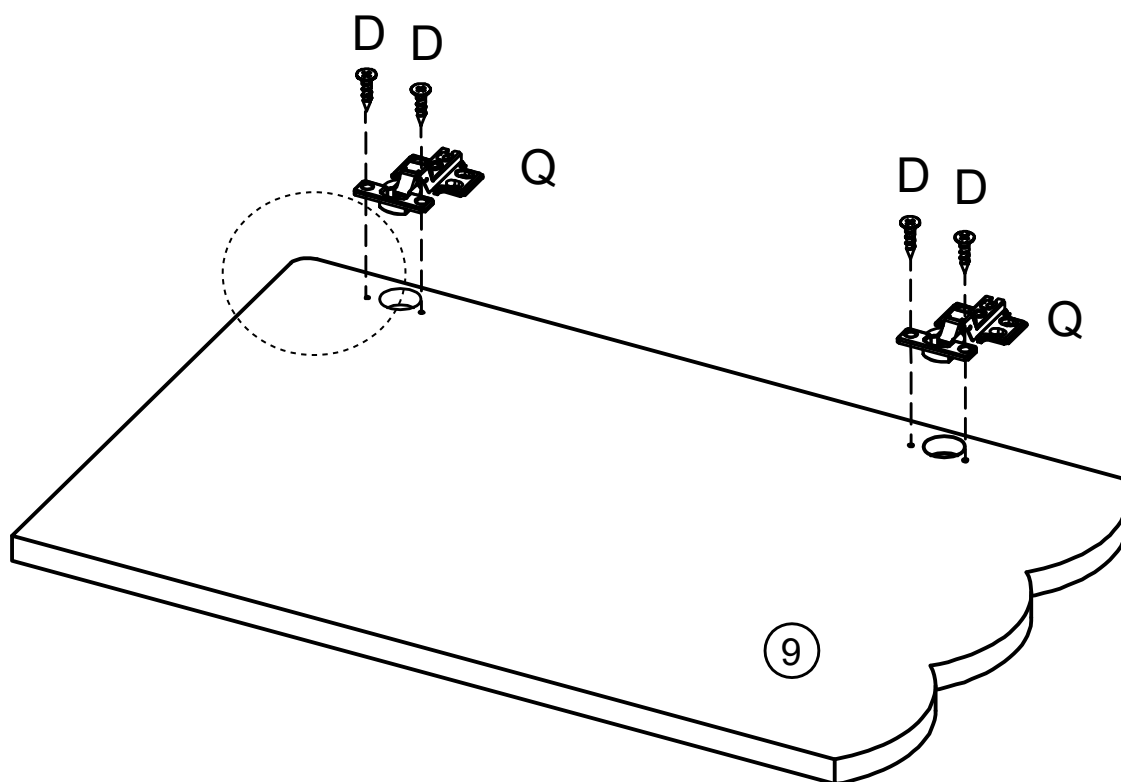
Step 11

Qx 4 	D x 8  Ø3.5x12 mm
---	--

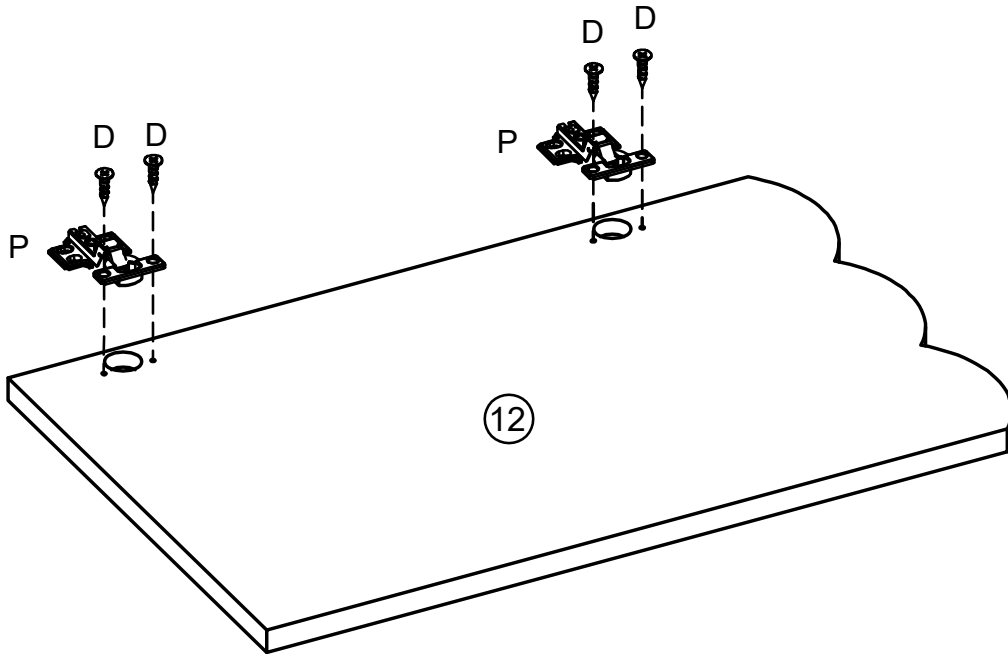
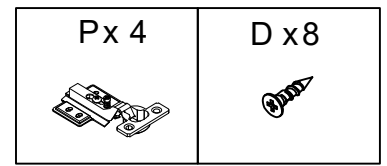
After completing this step,
please install Part 13 on the
right.



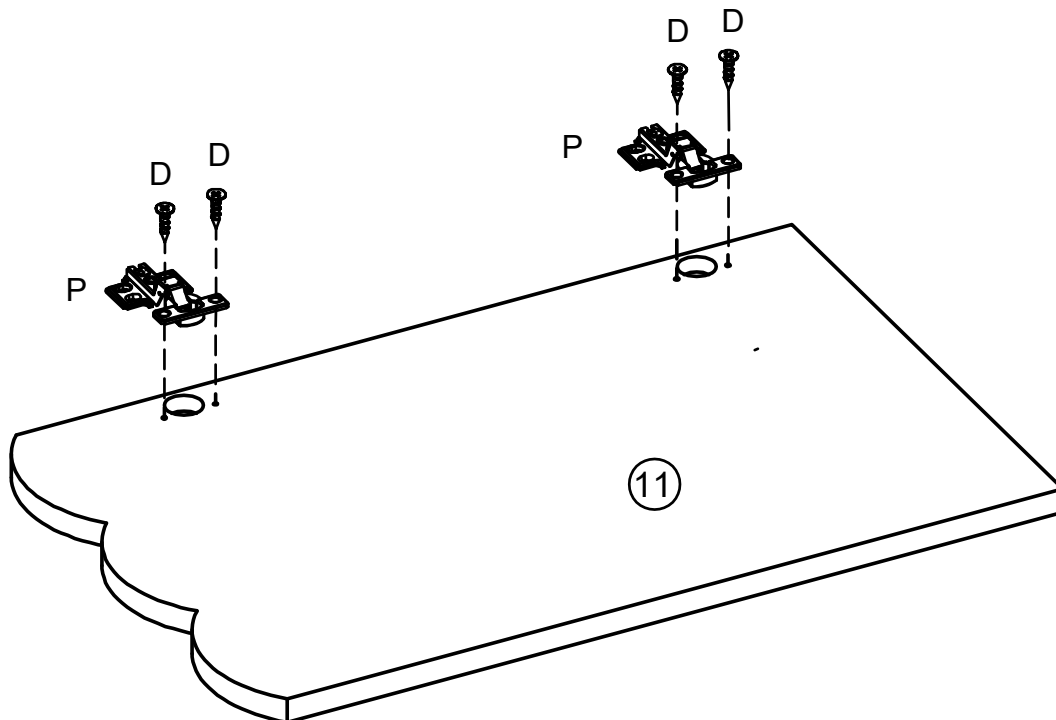
After completing this step,
please install Part 9 on the
left



Step 12



After completing this step,
please install Part 11 12 on the
middle.

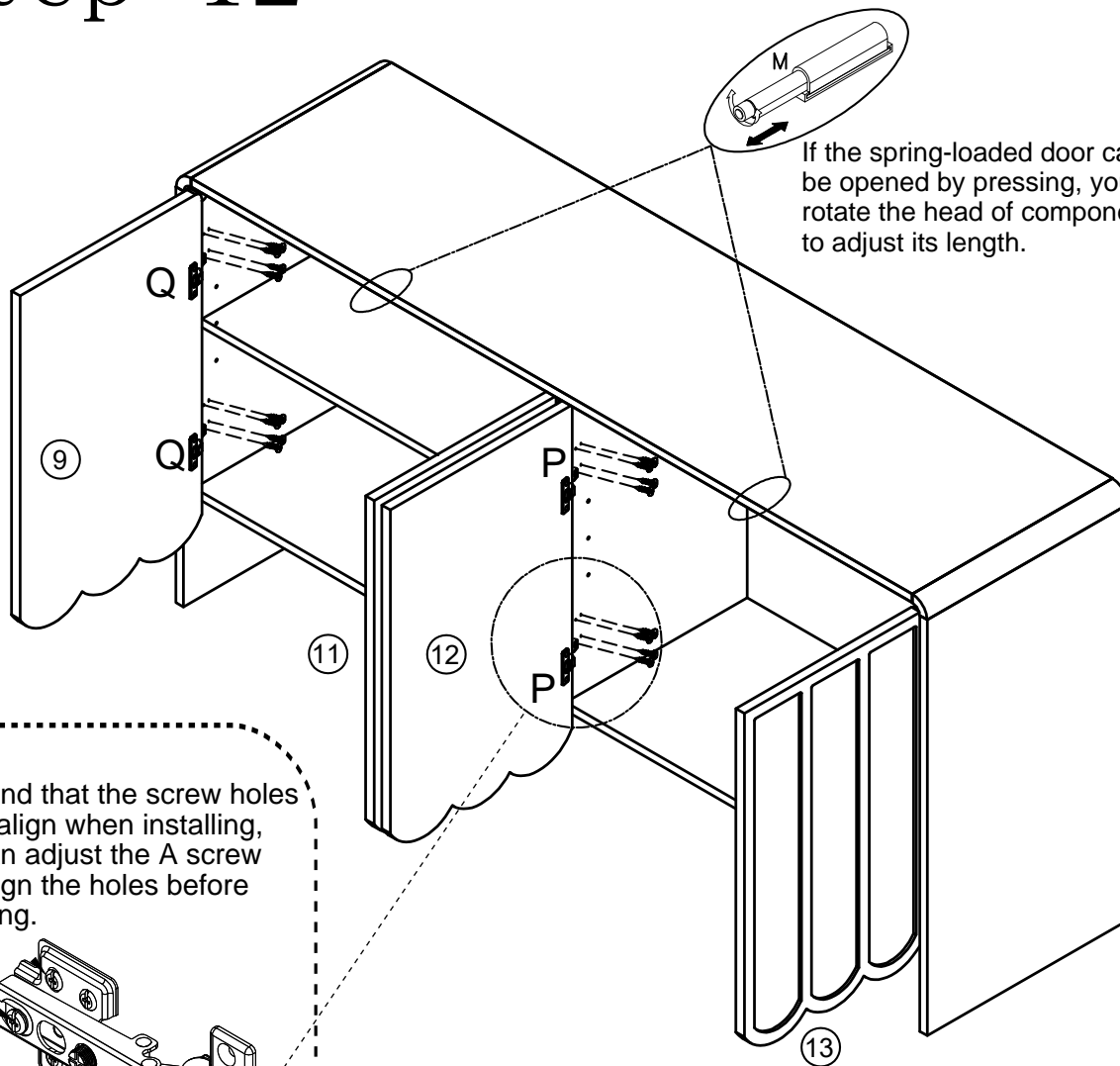


Step 12

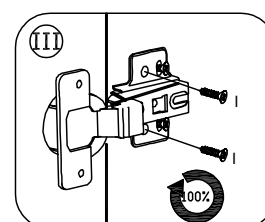
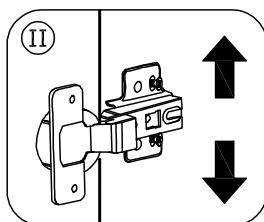
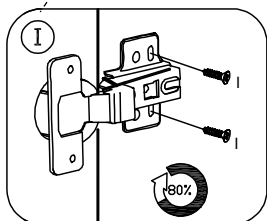
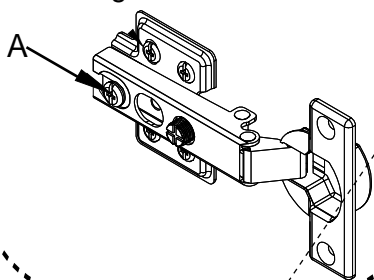
I x 32



Ø3.5x14 mm



If you find that the screw holes do not align when installing, you can adjust the A screw and align the holes before installing.



How do I get the two doors to align flat by adjusting the hinges?



01 Adjust the screws shown in Figure 1 to adjust the doors up and down.



02 Adjust the screws shown in Fig. 2 and pull the door back and forth so that it can be opened smoothly.





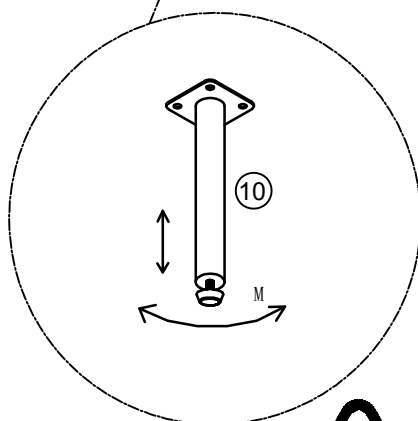
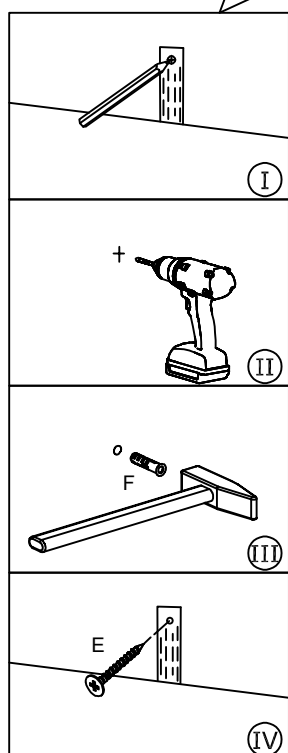
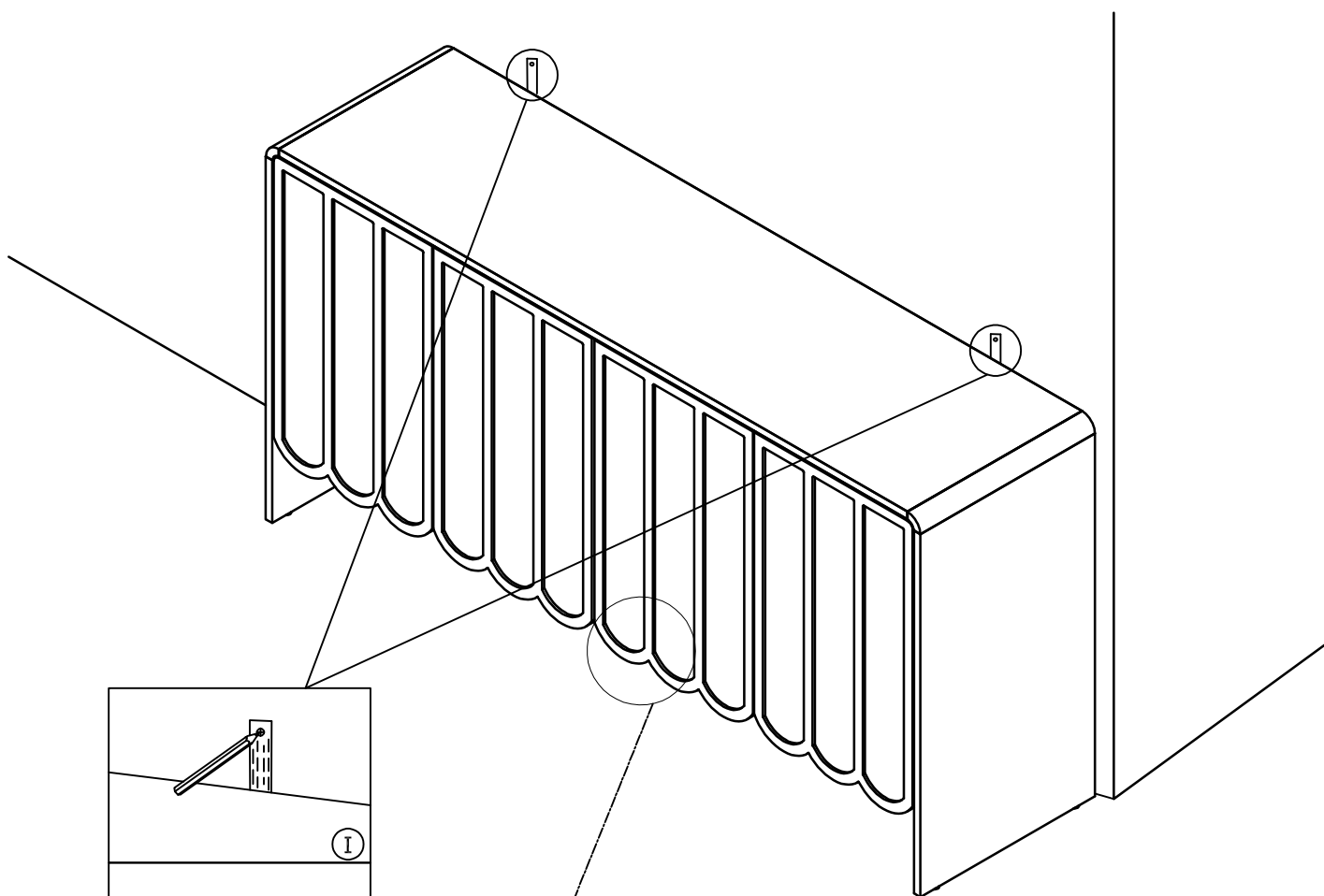
03 Adjust the screws shown in Figure 3 to adjust the door left and right to the right position.



04 After the adjustment is complete, install the remaining two screws to secure the door in place.

Step 13

Fx2 	Ex2  Ø4×35 mm
--	--



If the center position of the cabinet is too high or too low due to uneven bottom plates or other reasons, adjust the adjustable foot pads on feet ⑩ to adjust the upper and lower height

Step 14

