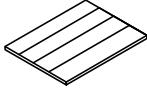
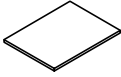
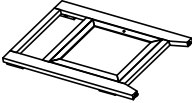
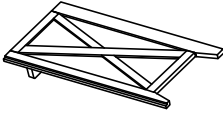
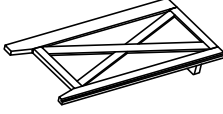
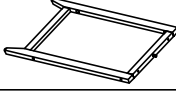
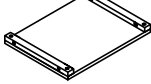
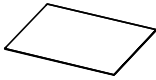
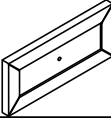
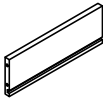
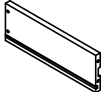
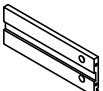
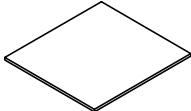







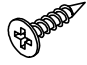
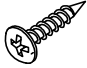


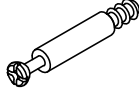

Assembly Instructions

PARTS LIST

No.	DESCRIPTION	FIGURE	QTY
A	TOP PANEL		1
B	SHELF		1
C	FRONT FRAME		1
D	RIGHT SIDE FRAME		1
E	LEFT SIDE FRAME		1
F	BACK FRAME		1
G	BOTTOM PANEL		1
H	BACK PANEL		1
I	FRONT DRAWER PANEL		1
J	BACK DRAWER PANEL		1
K	RIGHT DRAWER PANEL		1
L	LEFT DRAWER PANEL		1
M	BOTTOM DRAWER PANEL		1

Assembly Instructions

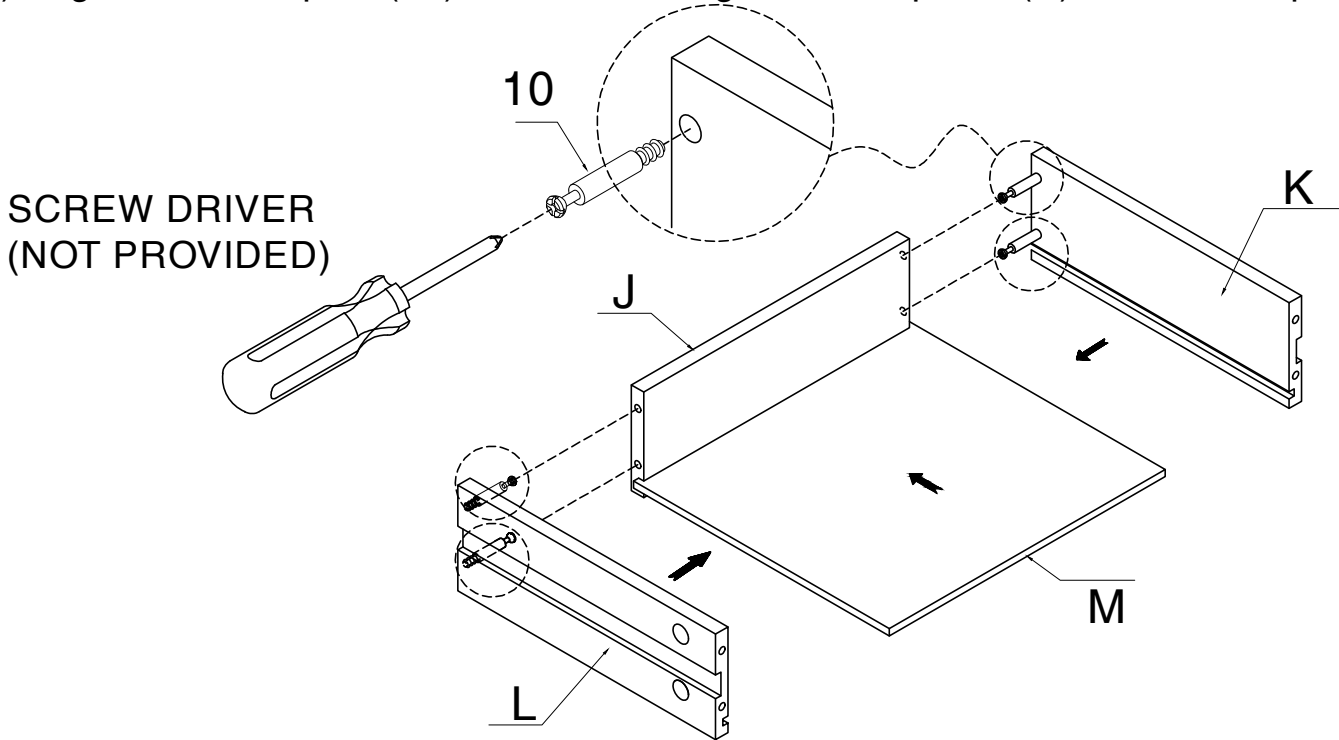
HARDWARE LIST

No.	DESCRIPTION	FIGURE	QTY
1	BOLT ($\frac{1}{4}$ "x35mm) SPRING WASHER, FLAT WASHER ($\frac{1}{4}$ "		12
2	ALLEN KEY 60x22x4mm		1
3	HANDLE KNOB		2
4	$\frac{5}{32}$ "x20mm SCREW (FOR HANDLE KNOB)		2
5	SHELF SUPPORT		4
6	M3 x 12mm WOODEN SCREW (FOR BACK PANEL)		14
7	M4 x 25mm WOODEN SCREW (FOR TABLE TOP)		4
8	Ø10 x 30mm WOODEN DOWEL		2
9	MINIFIX CAM		8
10	MINIFIX PIN		8
11	GLUE		1

Assembly Instructions

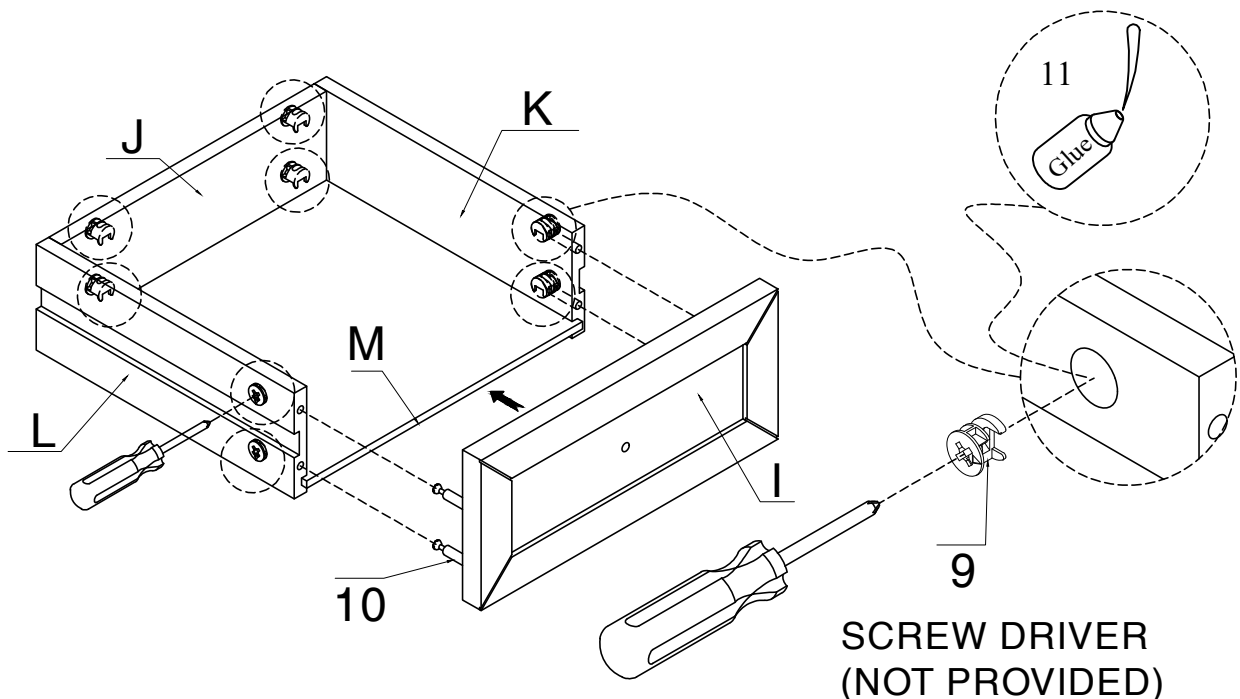
STEP 1:

- 1). Place all parts on a flat, protected surface.
- 2). Place bottom drawer panel (M) into back drawer panel (J) channel.
- 3). Tighten minifix pins (10) into holes of right drawer panel (K), left drawer panel (L).



STEP 2:

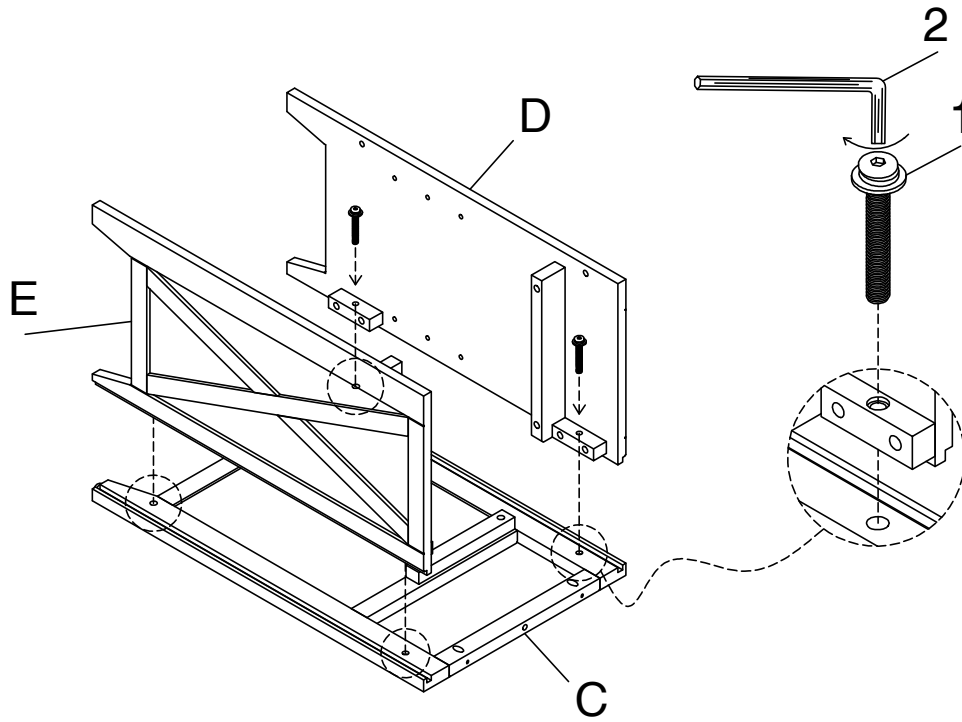
- 1). Tighten minifix pins (10) into holes of front drawer panel (I).
- 2). Put glue into the holes of back drawer panel (J), left drawer panel (L) and right drawer panel (K).
- 3). Insert minifix cams (9) into holes of back drawer panel (J), left drawer panel (L) and right drawer panel (K).
- 4). Set the arrow of minifix cams (9) toward the nut slot. Tighten all minifix cams (9).



Assembly Instructions

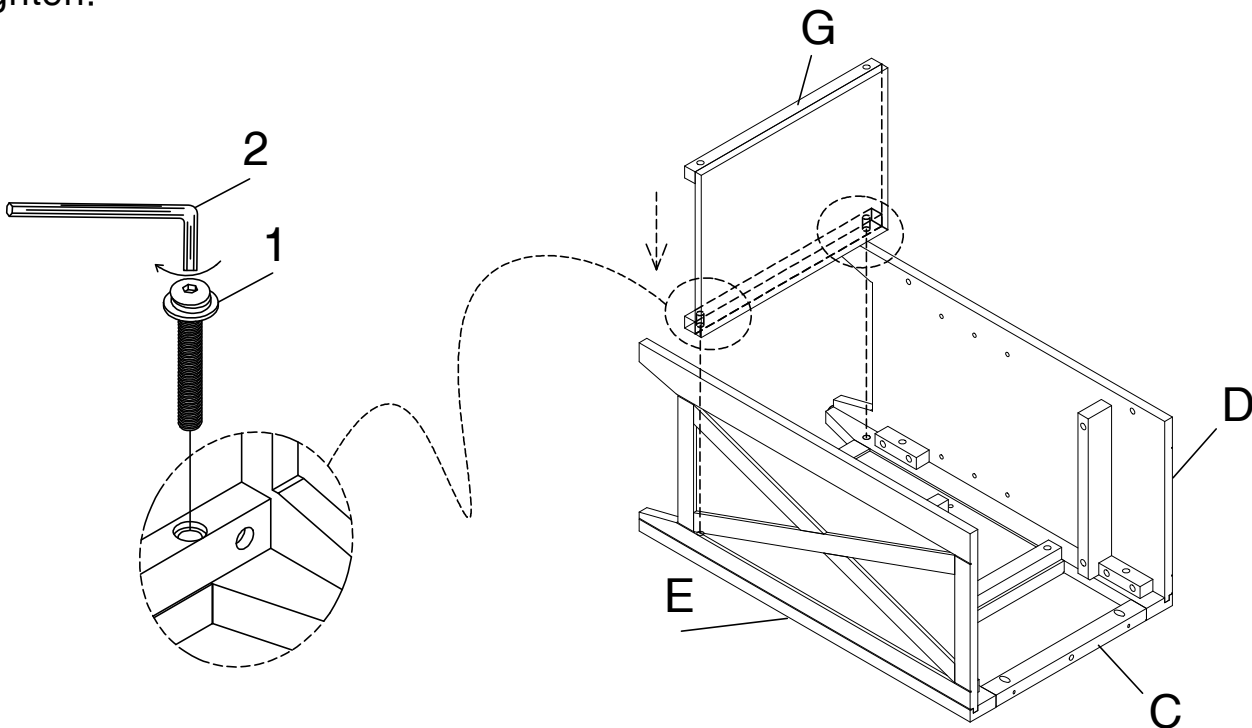
STEP 3:

- 1). Place front frame (C) upside down on a flat, protected surface.
- 2). Align the holes of left side frame (E) and right side frame (D) along to holes of front frame (C). Insert bolts (1) and tighten with allen key (2).



STEP4:

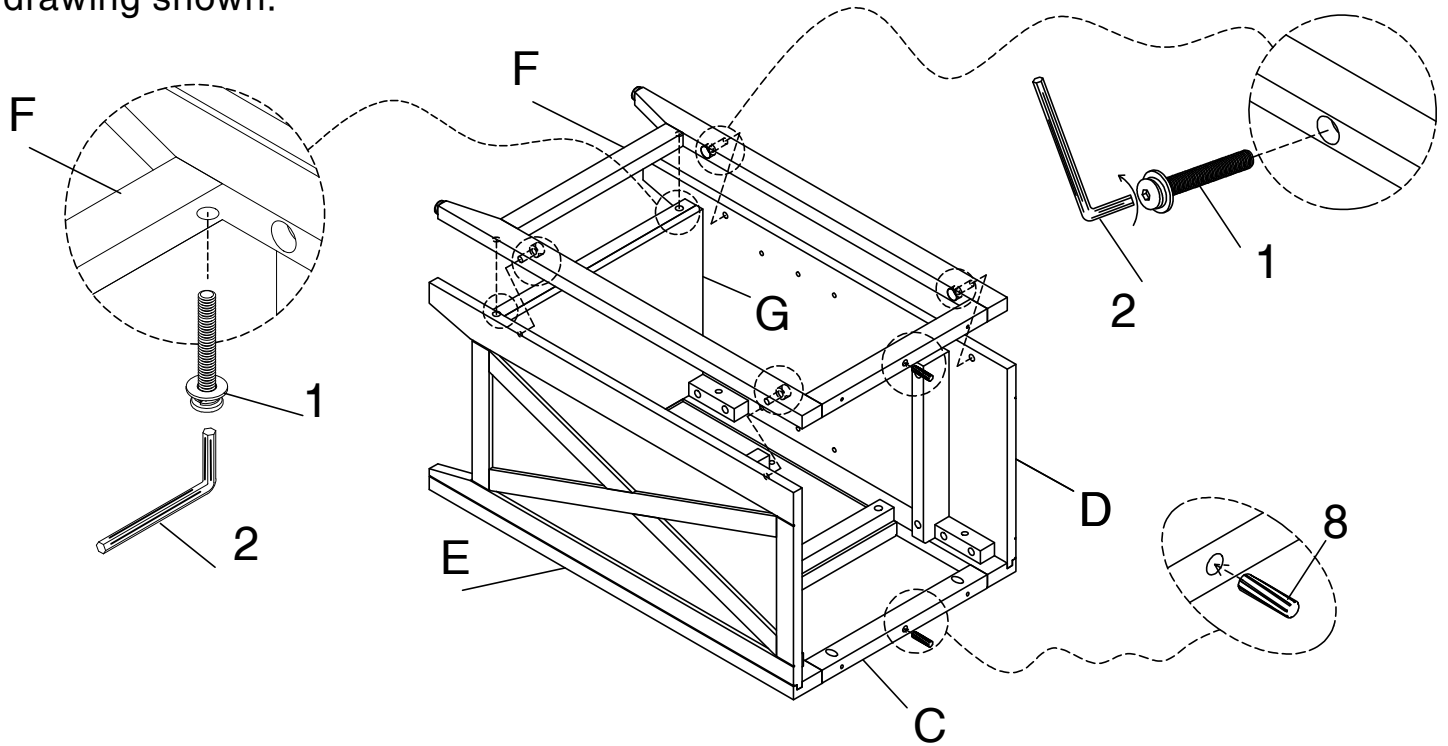
- 1). Place bottom panel (G) to front frame (C) by using bolts (1) and allen key (2) to tighten.



Assembly Instructions

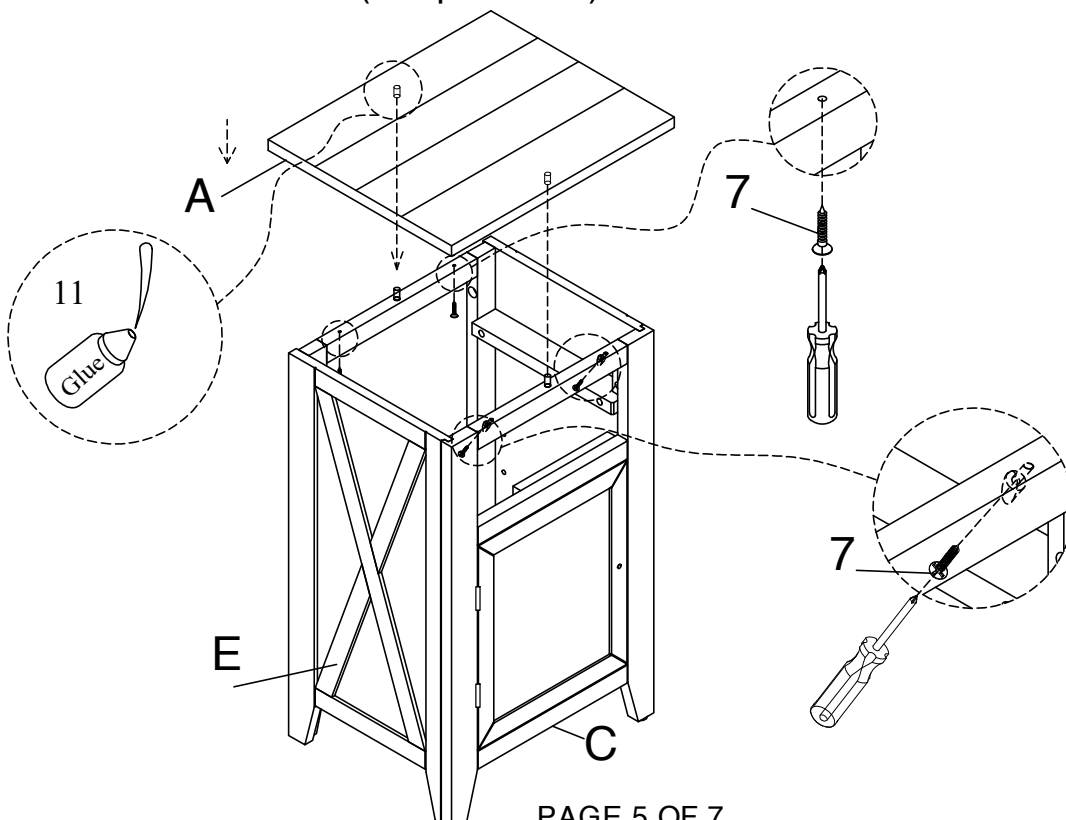
STEP 5:

- 1). Well align holes of back frame (F) to holes of bottom panel (G), right side frame (D) and left side frame (E) by using bolts (1) and allen key (2) to tighten.
- 2). Insert wooden dowels (8) into holes of front frame (C) and back frame (F) tightly per drawing shown.



STEP 6:

- 1). Turn the assembled unit from the step 5 upright on a flat, protected surface.
- 2). Attach holes of top panel (A) to the wooden dowels (8). Insert screws (7) and tighten with screw driver (not provided).

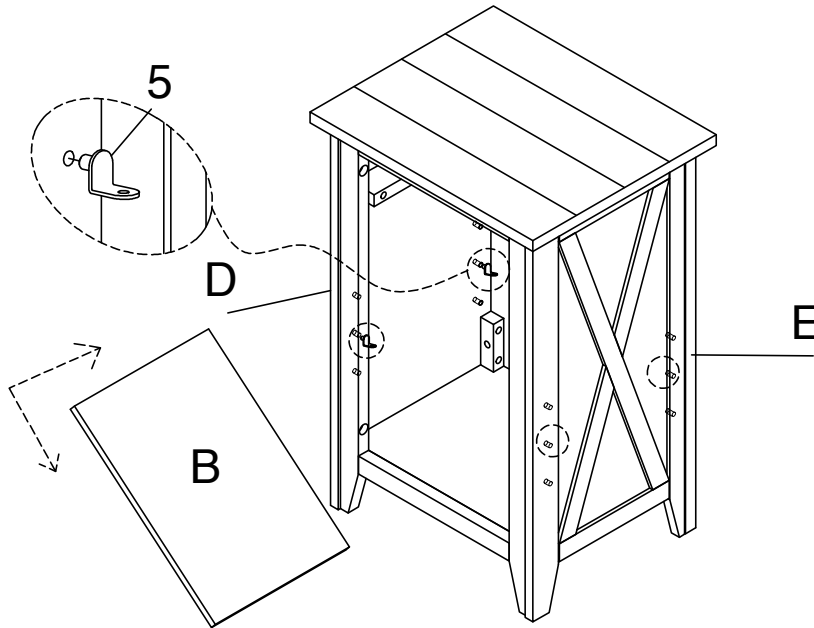


SCREW DRIVER
(NOT PROVIDED)

Assembly Instructions

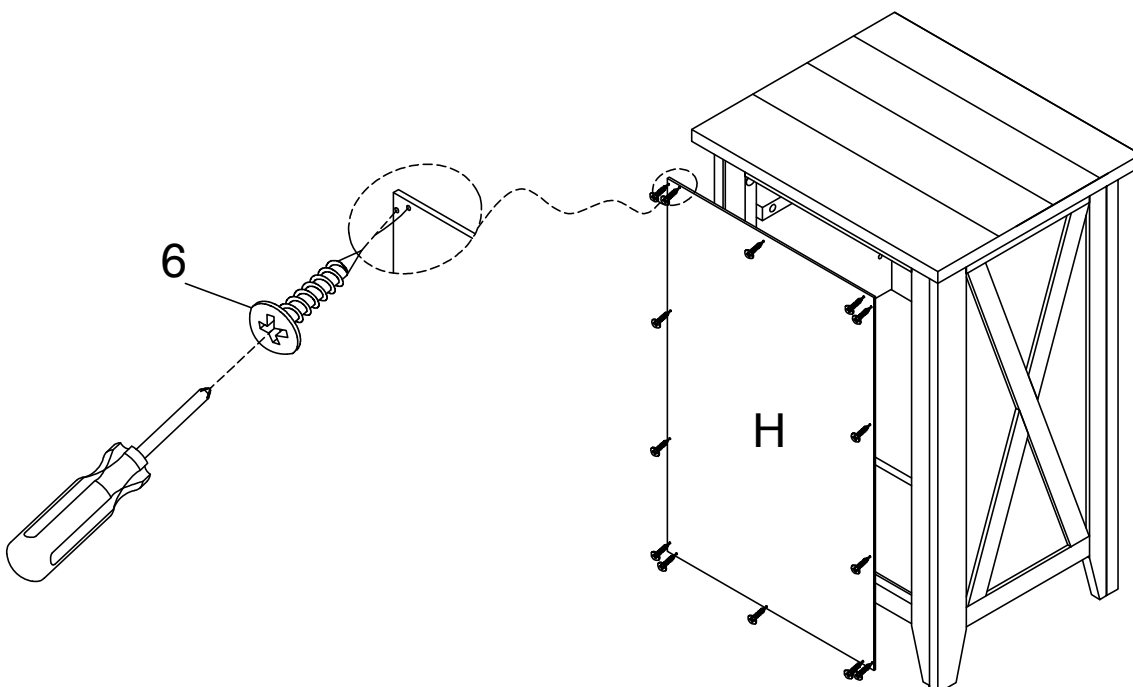
STEP 7:

- 1). Insert shelf support (5) to available holes of left side frame (D) and right side frame (E).
- 2). Put shelf (B) on the shelf support (5).



STEP 8:

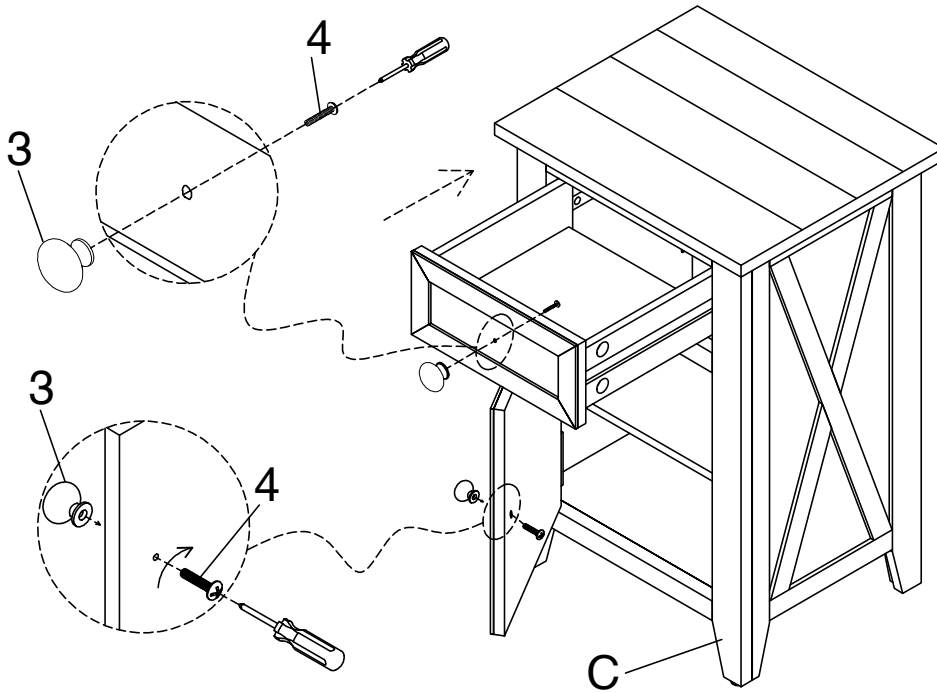
- 1). Connect back panel (H) at the back by using screws (6) and screw driver (not provided) to tighten.



Assembly Instructions

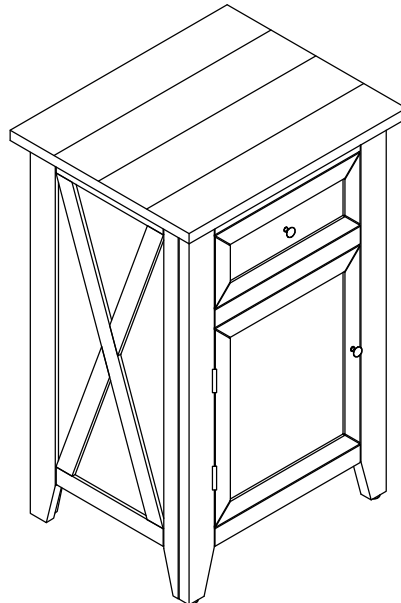
STEP 9:

- 1). Attach handle knobs (3) to front drawer panel (I) and door. Insert screws (4) per drawing shown below and tighten with screw driver (not provided).
- 2). Put the assembled drawer into night stand.



STEP 10:

- 1). Night stand is ready for use.



IMPORTANT NOTE:

- PLACE ALL WOODEN PARTS ON A CLEAN AND SMOOTH SURFACE TO AVOID SCRATCHING.
- KINDLY FOLLOW THE ASSEMBLY INSTRUCTION STEP BY STEP.
- WE RECOMMEND THAT YOU PERIODICALLY TIGHTEN ALL BOLTS/SCREWS. PLEASE MAKE SURE ALL BOLTS/SCREWS ARE PLACED IN THEIR PROPER POSITION AND ARE TIGHTENED SECURELY TO ENSURE YOUR SAFETY.
- WEIGHT RESTRICTION: TOP 40LBS, DRAWER 20LBS, SHELF 20LBS.
- DO NOT SIT, STAND OR CLIMB ON THE NIGHT STAND.
- NOT FOR COMMERCIAL USE.