

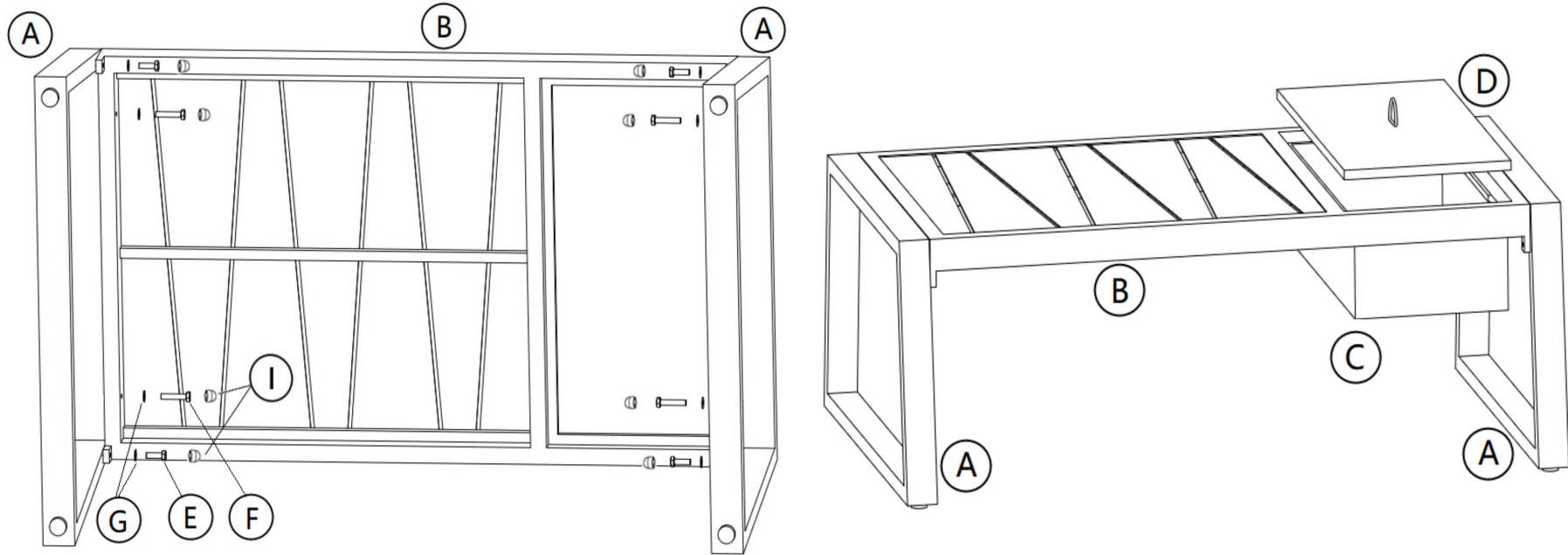
Table ASSEMBLY INSTRUCTIONS

Step 1: Remove all protective materials and assemble on a flat surface.

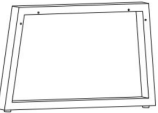
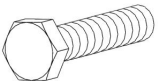
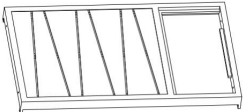
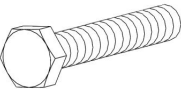

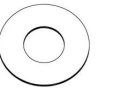

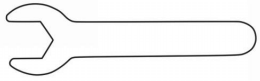

Step 2: Identify all parts packed in the carton against parts list.

Step 3: Use the Bolt E、 F and Washer G to assemble with Table leg A and Table board B.

Step 4: Put the Ice bucket C in Table board B,cover the ice bucket.



PARTS LIST

A	Table leg		2	E	Bolt M6x20mm		4
B	Table board		1	F	Bolt M6x50mm		4
C	Ice bucket		1	G	Washer		8
D	Ice bucket cover		1	H	Hex wrench		1
I	Plastic cap		8				