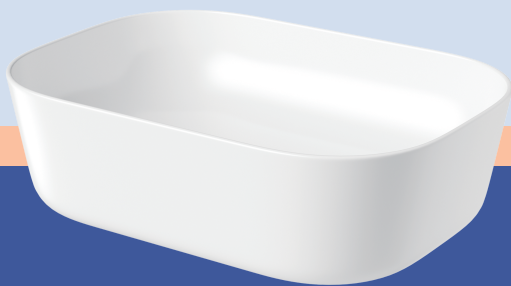


Installation Guide

BATHROOM VESSEL SINK



Tools and Materials



Safety Glasses



Tape Measure



Construction Adhesive



Pencil



Drill



Sealant

Plus:

- (1) Hole Saw
- (2) Utility Knife
- (3) Towel
- (4) Acetone/Denatured Alcohol

Parts List:

- Eridanus Vessel Sink

Prior to Installation



Read the following instructions carefully before you begin this installation:

- Due to the handmade construction, dimensions of the actual product might vary by up to 1/4 inch from the nominal specifications. Please refer to the actual product received prior to installation.
- Observe all local plumbing and building codes.
- Shut off the hot and cold water supplies.
- Make sure the plumbing under the sink is in good condition and that there are no leaks or other problems that could cause issues during installation.
- Unpack the new sink and inspect it for damage. Afterward, return the sink to its protective carton until the installation begins.
- When using tools like wrenches or screwdrivers, be sure to use them properly to avoid self-injury and damage to the sink or other parts.
- Two people are recommended to move and install the sink.

Sink with overflow

- Requires a drain with overflow
- Line up the overflow with the hole in the drain
- Place the rubber gasket directly under the basin
- Apply a thin layer of sealant to create a watertight seal

Sink without overflow

- Requires a drain without overflow

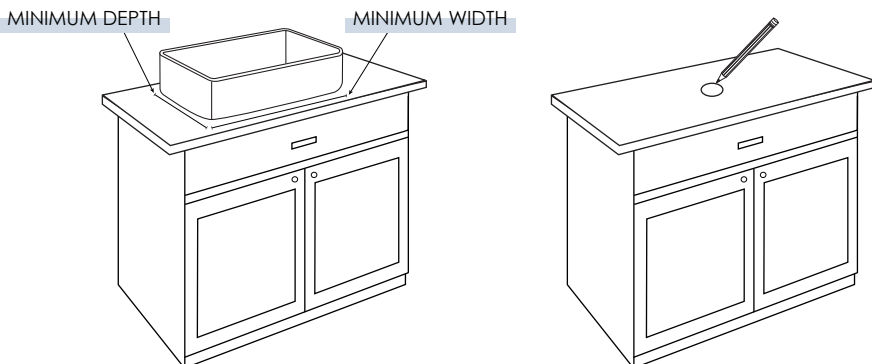
Installation Procedures



STEP I. Select the suitable countertop according to the size of the vessel sink model purchased, choose the location where you want to install the sink, place the vessel sink on the countertop, and confirm the size.

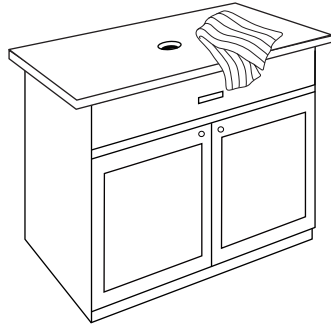
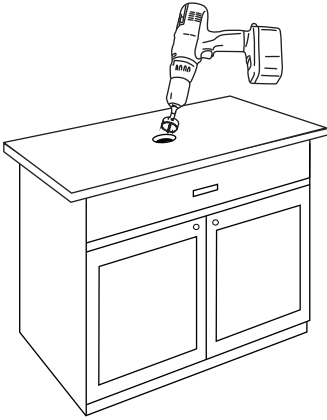
NOTE Please pay attention to reserving adequate clearance for subsequent installation of faucets and other accessories.

STEP II. Mark the drain hole on the countertop with a pencil.



STEP III. Use a hole saw to drill the marked drain hole.

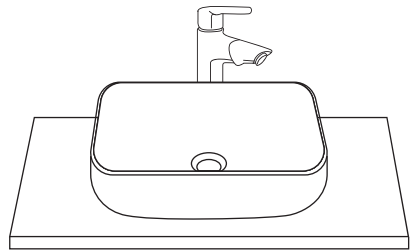
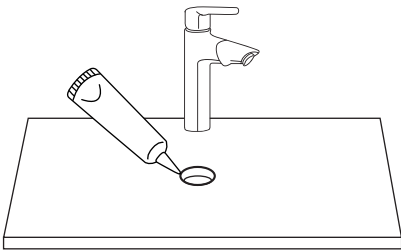
STEP IV. Clean the countertop after drilling to keep the countertop clean and dry.



STEP V. Apply sealant to the joint between vessel sink and countertop.

STEP VI. Place the sink coated with sealant on the countertop gently, making sure it is centered over the drain hole. Press down firmly on the sink to ensure a tight seal between the sink and the countertop.

NOTE It's recommended to apply extra sealant around the base of the sink to get a strengthening effect. Let the sink stand for 24 hours, and make sure that there is a watertight seal at the drain connection.



NOTE Use acetone or denatured alcohol to remove any excess sealant immediately after application.

Care and Cleaning

A vitreous china bathroom sink is a popular and durable choice for many homeowners. Eridanus vitreous china bathroom sinks are meticulously handcrafted with fine materials and have undergone strict quality inspections. With proper maintenance and care, Eridanus sinks will keep in new condition and function well for an extended period of time.

Do's



- ✓ **Cleaning the sink regularly:** Use a mild detergent or cleaning solution and a soft cloth or sponge to wipe down the sink. Avoid using abrasive cleaners or scrubbers as they can scratch the surface of the sink.
- ✓ **Remove stains promptly:** If you notice any stains on the sink, it's important to remove them promptly. Use a cleaning solution specifically designed to remove the type of stain you're dealing with. For example, use a rust remover for rust stains and a hard water stain remover for hard water stains.
- ✓ **Keep the sink dry:** After using the sink, make sure to wipe it dry with a clean towel or cloth. Standing water can cause water spots and mineral buildup, which can be difficult to remove.
- ✓ **Use a drain strainer:** Use a drain strainer to prevent hair, soap, and other debris from clogging the drain. A clogged drain can lead to water damage and other problems.

Don'ts



- ✗ **Avoid using harsh chemicals:** Harsh chemicals such as bleach, ammonia, or acid-based cleaners can damage the surface of the sink. Avoid using these chemicals and opt for a mild cleaning solution instead.
- ✗ **Avoid placing heavy objects on the sink:** Vitreous china is a durable material, but it can still crack or chip if heavy objects are placed on it. Avoid placing heavy objects on the sink and use a separate surface for storing items such as hair dryers or curling irons.
- ✗ **Avoid hitting it with hard objects or dropping heavy items on it.**
- ✗ **Avoid direct contact with sharp and metallic objects.**



Soft Cloth



Mild Detergent



Plastic Scraper

By following these tips, you can keep your vitreous china bathroom sink in great condition for many years to come. Regular maintenance and care will help to prevent damage and keep the sink looking its best.