
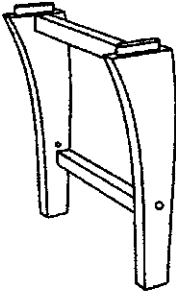
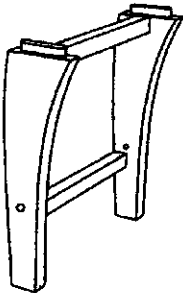
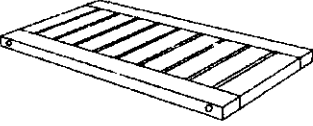
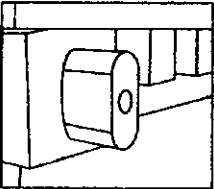
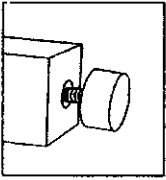
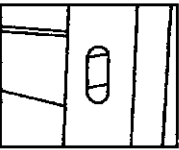
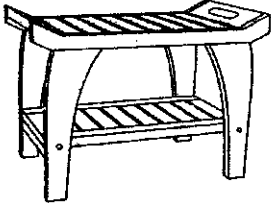


ASSEMBLY INSTRUCTIONS
TRANQUILITY Benches Part Number- DT156,124

Recommendations & Precautions - Prior To Assembly Completely Read These Instructions

Unpack, inspect & identify all components & assembly materials. Assemble on flat, soft level surface to avoid marring the wood.
 We advise using the shipping box top as convenient assembly surface.
 Align each piece so that it is next to its matching color on adjoining piece.
 Check all mortise & tenon, joints for proper fit before assembly.

Parts List A. Stool Seat B. Leg bar C. Right leg D. Left leg	Provided Hardware Galvanised Steel Hardware (8 Pcs)	Tools Included Allen Wrench (1 Pc)
 <p align="center">A</p>	 <p align="center">C</p>	 <p align="center">D</p>
 <p align="center">B</p>	 <p align="center">Tenon</p>	<p align="center">Thank You!</p> <p>Thank you for ordering from DecoTeak™. We know you have many choices in today's wired world. We take pride in our products and quality, and hope you will find our products to your satisfaction. In appreciation please use the following special offer on your next order.</p> <p align="center">\$10 OFF YOUR NEXT ORDER</p> <p align="center">Valid only at :</p> <p align="center">www.decoteak.com</p> <p align="center">Please use coupon code : DT-RC-10</p> <p align="center">Not Valid for wholesale purchases, or to be combined with other offers.</p>
 <p align="center">Adjustable Feet Rubber</p>	 <p align="center">Mortise</p>	
<p>Tenon and Mortise is a carpentry technique used for hundreds of years to provide additional stability and strength to joints.</p> 		

Additional Assembly Instructions & Tips

Important Additional Assembly Instructions:

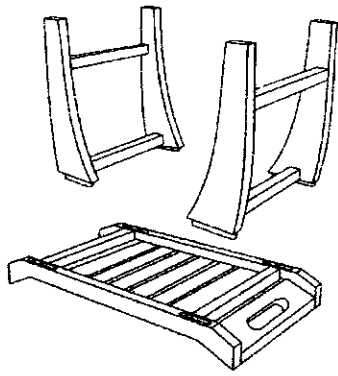
1. First, completely assemble the stool without adding any hardware, to make sure the pieces fit together properly
2. Place one side of the chair (Part C) on a soft surface, with the mortise joints facing up.
3. Insert the tenon of the top (Part A) and the shelf (Part C) into the mortises of the leg.
4. Place the opposite side of the leg (Part D) on the partially assembled Chair Frame (A,B,C).
5. Carefully, move the stool into the upright position. Check that the mortise and tenon joints are all properly joined and aligned.
6. Once everything is aligned, secure all components with the provided hardware, using the pre-drilled holes.
7. First loosely tighten each bolt until all bolts are inserted, then fully tighten each bolt one by one.

Please immediately report any missing hardware or assembly issues to the manufacturer, not to your re-seller.

Deco Teak- email : sales@decoteak.com

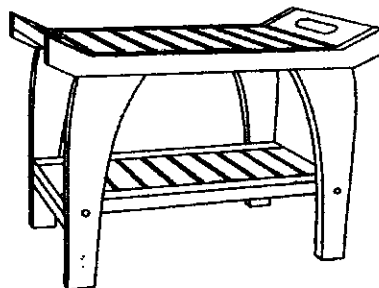
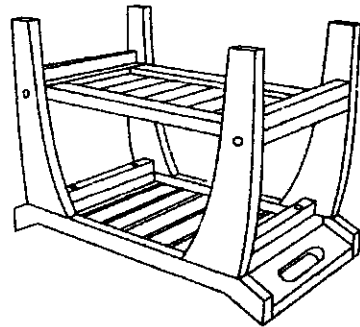
Tel : 888-965-0070

Thank you for your purchase. Your satisfaction is important to us ! If you are happy with this product, please honour us with your positive feedback from the channel that you purchased our product from.



Align matching colors so they are next to their corresponding assembly part.

Make sure all tenon and mortise joints fit snug.
Only use pressure or a rubber mallet to apply pressure.
Do not use a hammer directly against the wood.



Do not fully tighten bolts until all are applied.
Tighten each bolt when all bolts are attached you may go back and fully tighten each bolt one by one.