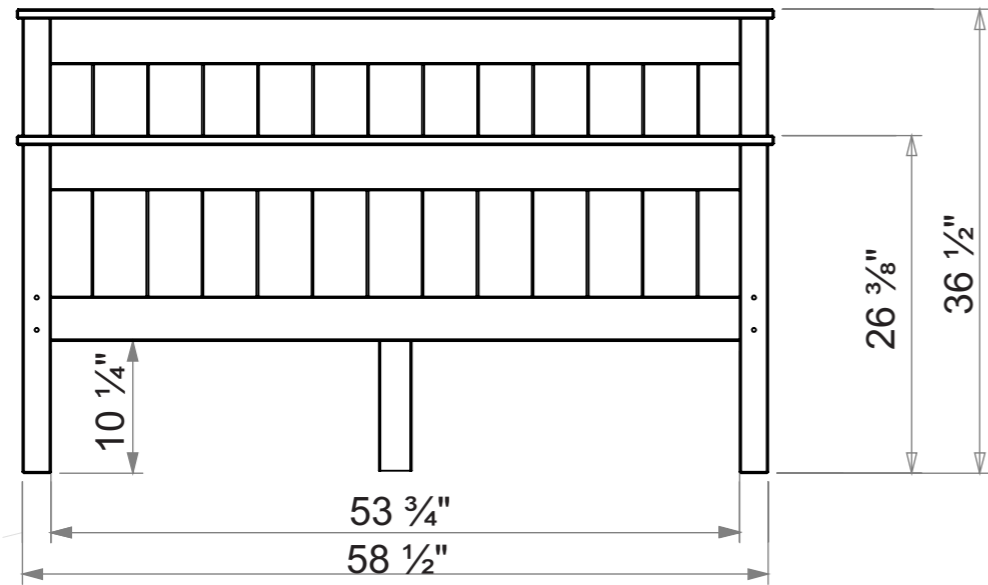
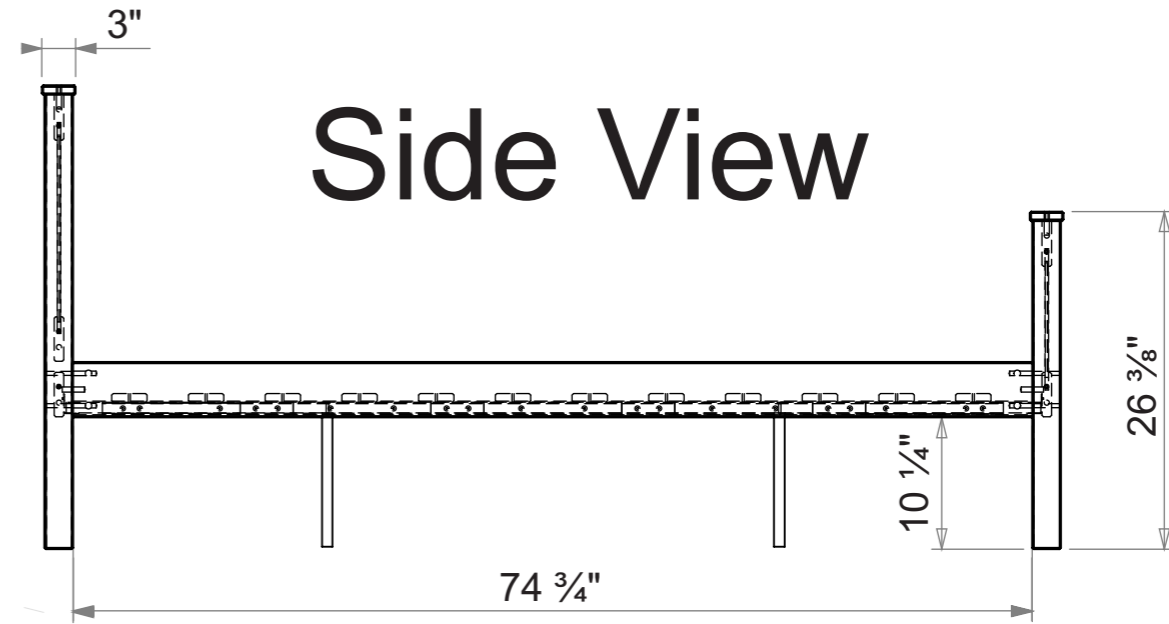


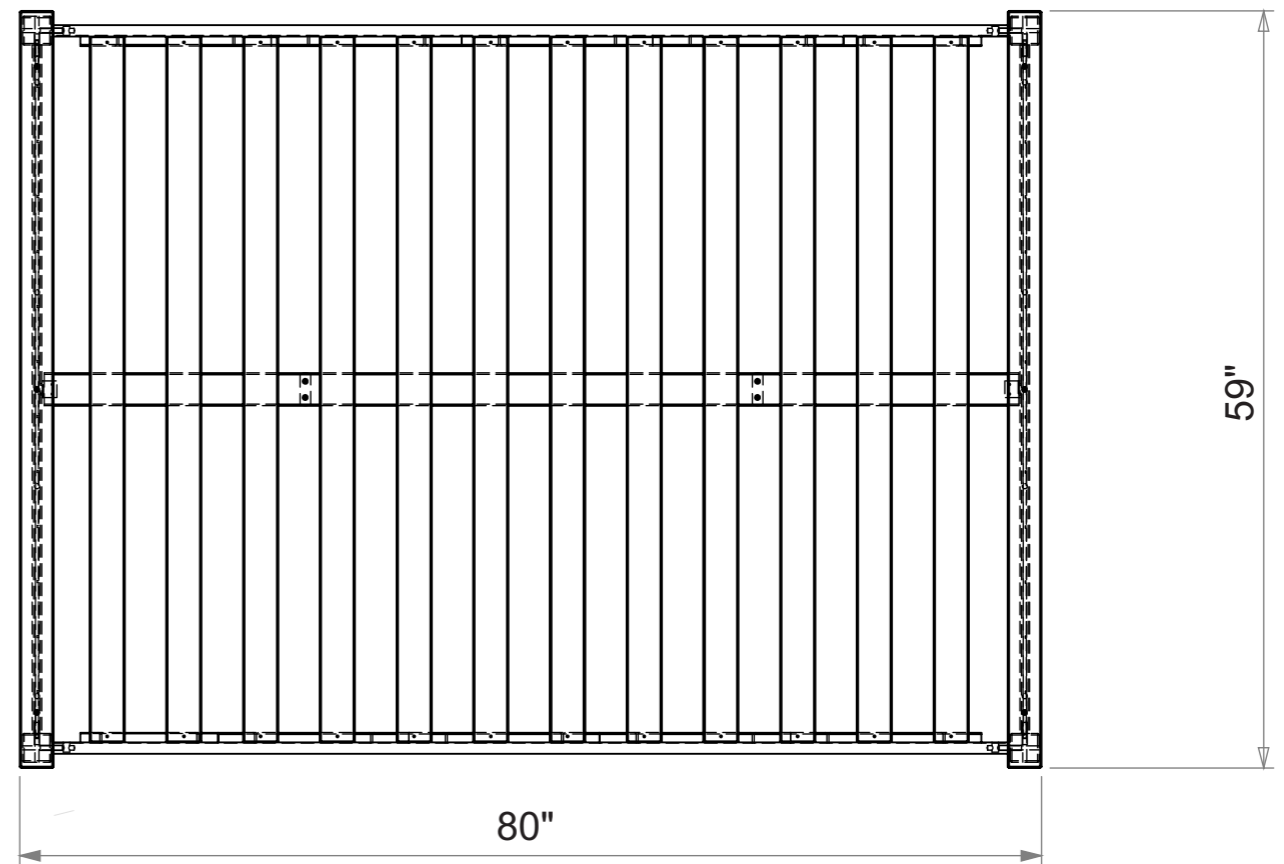
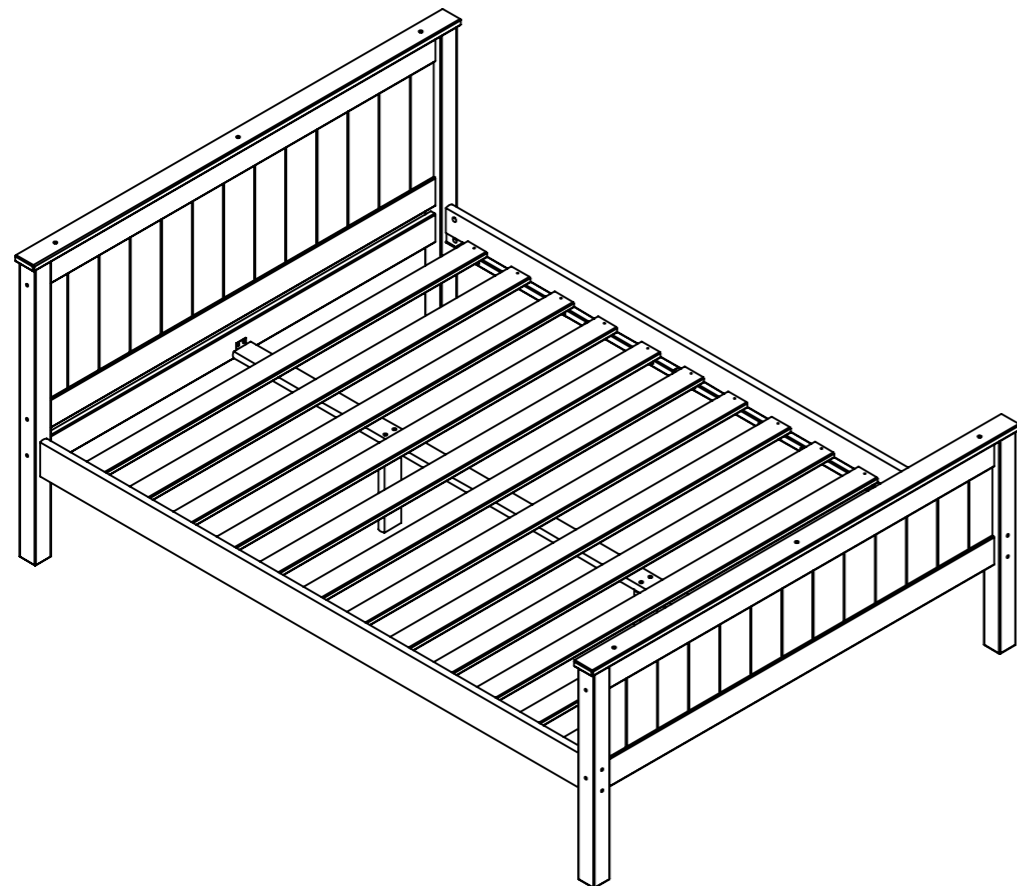
Full Bed



Frontal View



Side View



Top View