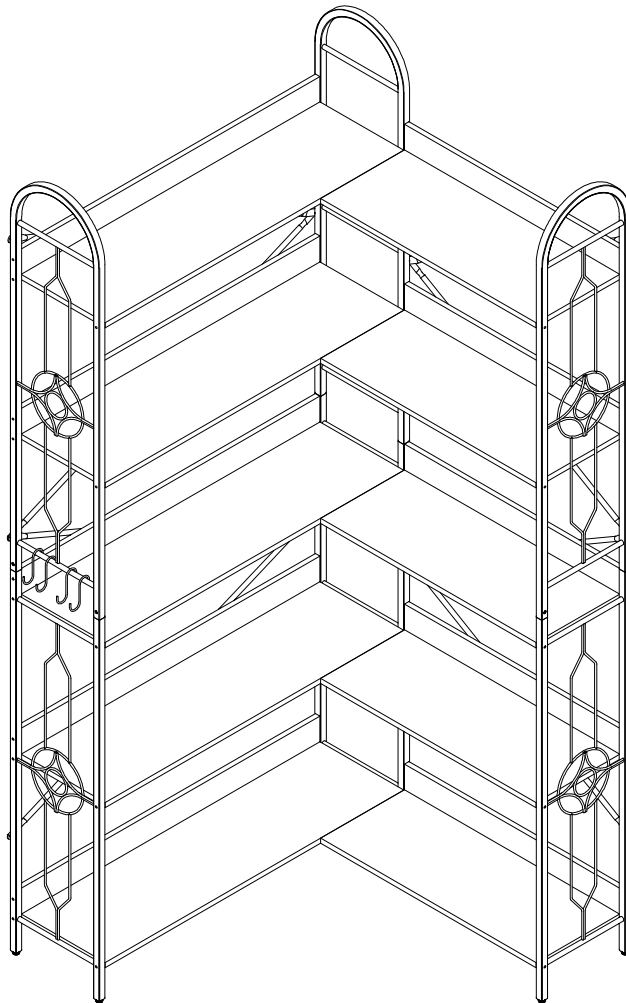
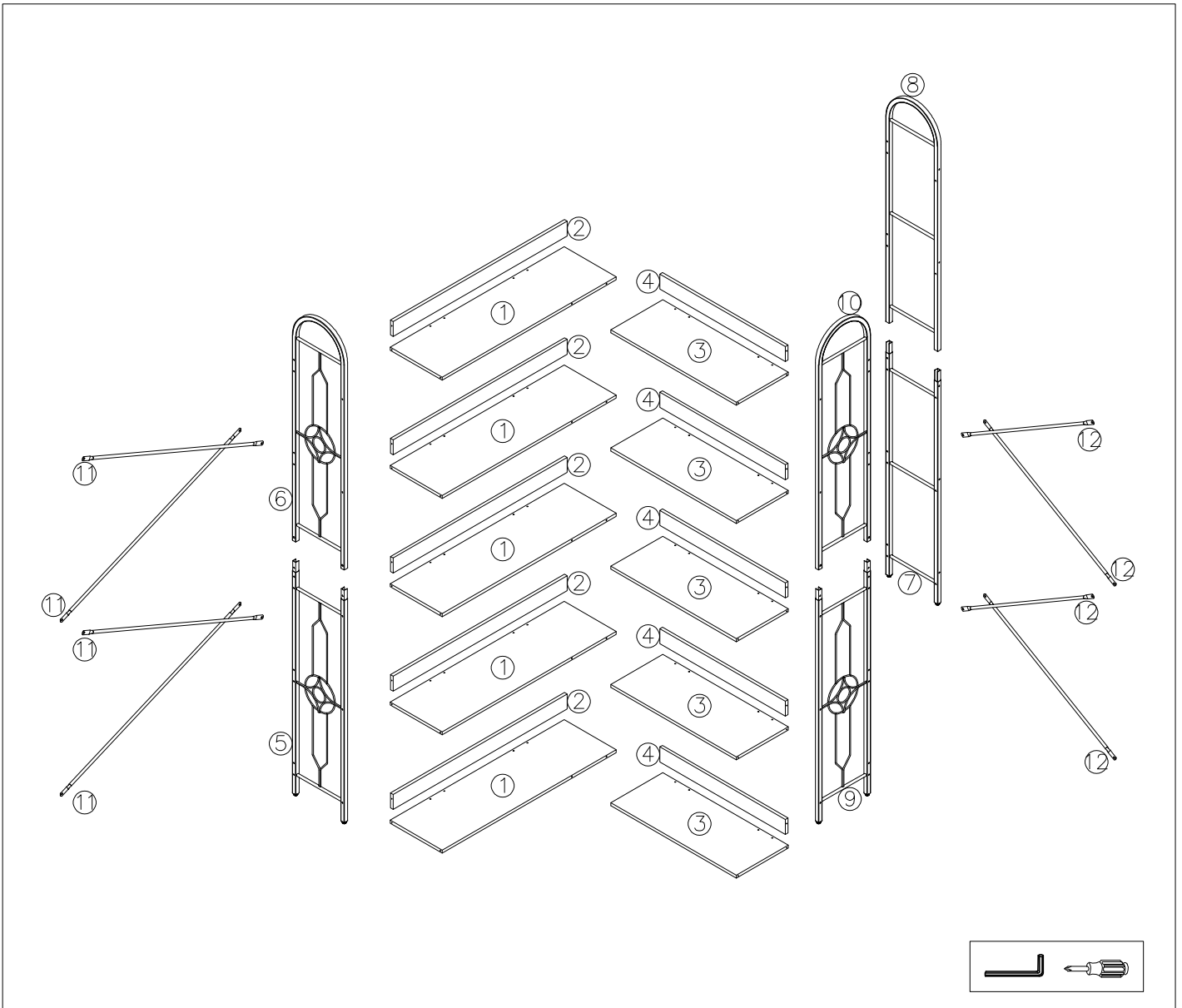



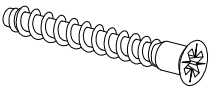
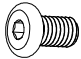
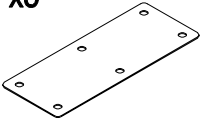

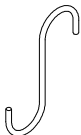
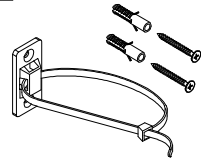


# Five layers with iron Angle frame



**GAUTION:** When tightening the screws , tighten sequentially.  
Do not tighten any screws fully and then towards the next one.  
When every part is OK , then tighten all the screws.

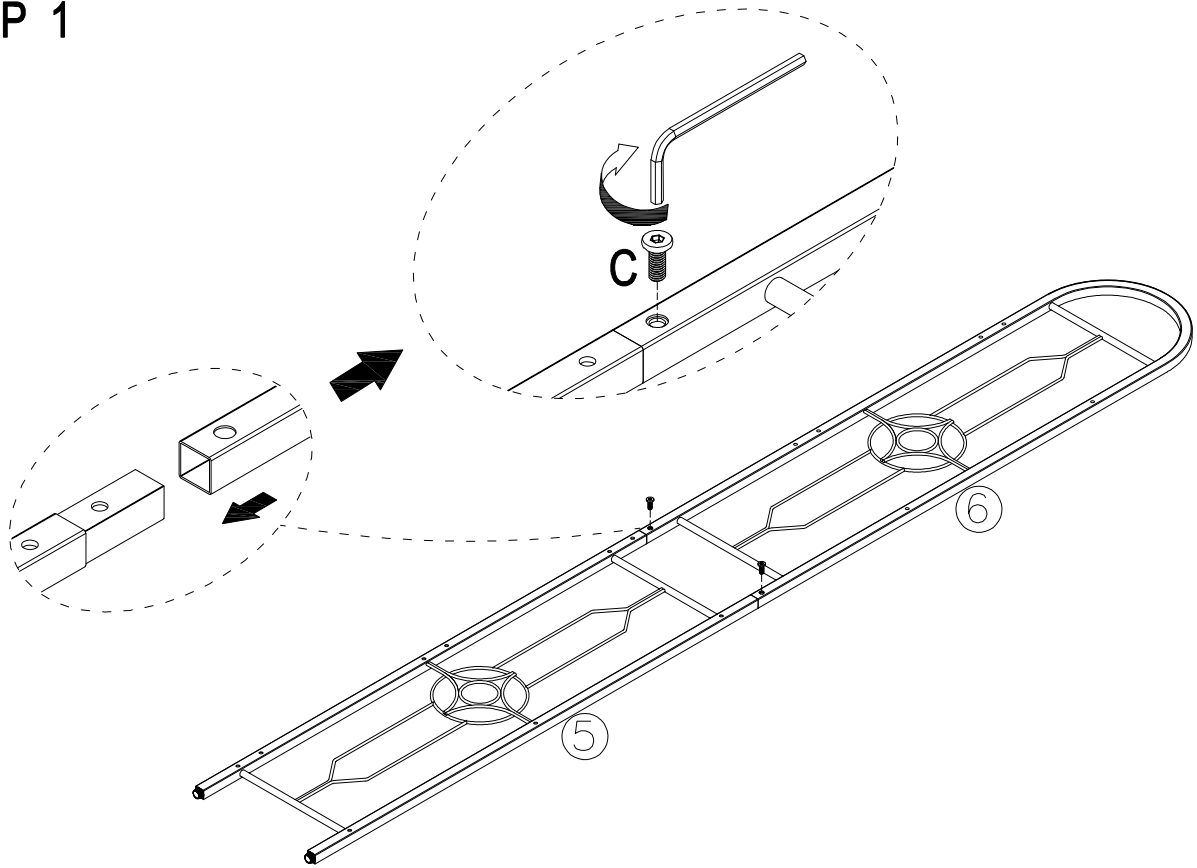
# ASSEMBLY INSTRUCTIONS



<p><b>A</b> x30+2</p>  <p>Ø6*30mm</p>	<p><b>B</b> x70+2</p>  <p>Ø5*38mm</p>	<p><b>C</b> x16+2</p>  <p>M6*12mm</p>	<p><b>D</b> x5</p>  <p>120*48*0.8mm</p>	<p><b>E</b> x30+2</p>  <p>Ø4*10mm</p>
<p><b>F</b> x4</p> 	<p><b>G</b> x2</p> 			

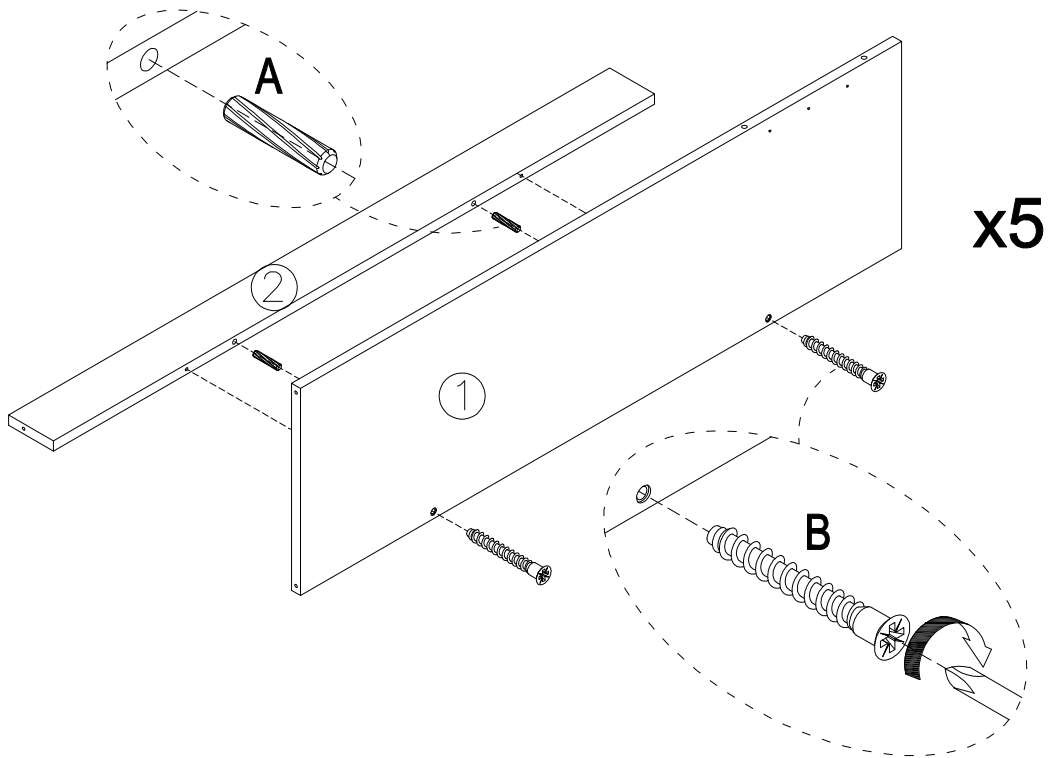
# INSTALLATION INSTRUCTION

## STEP 1



 C x2

## STEP 2

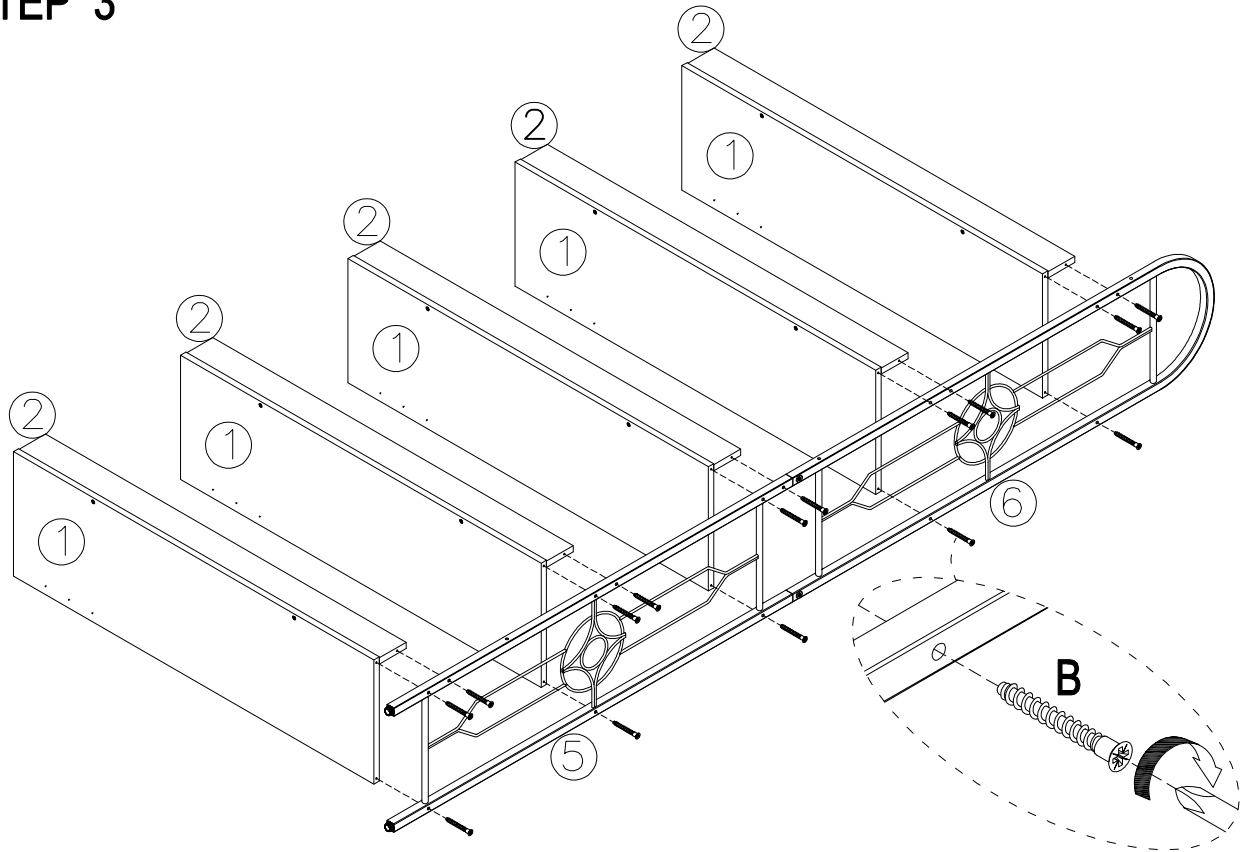


 A x10

 B x10

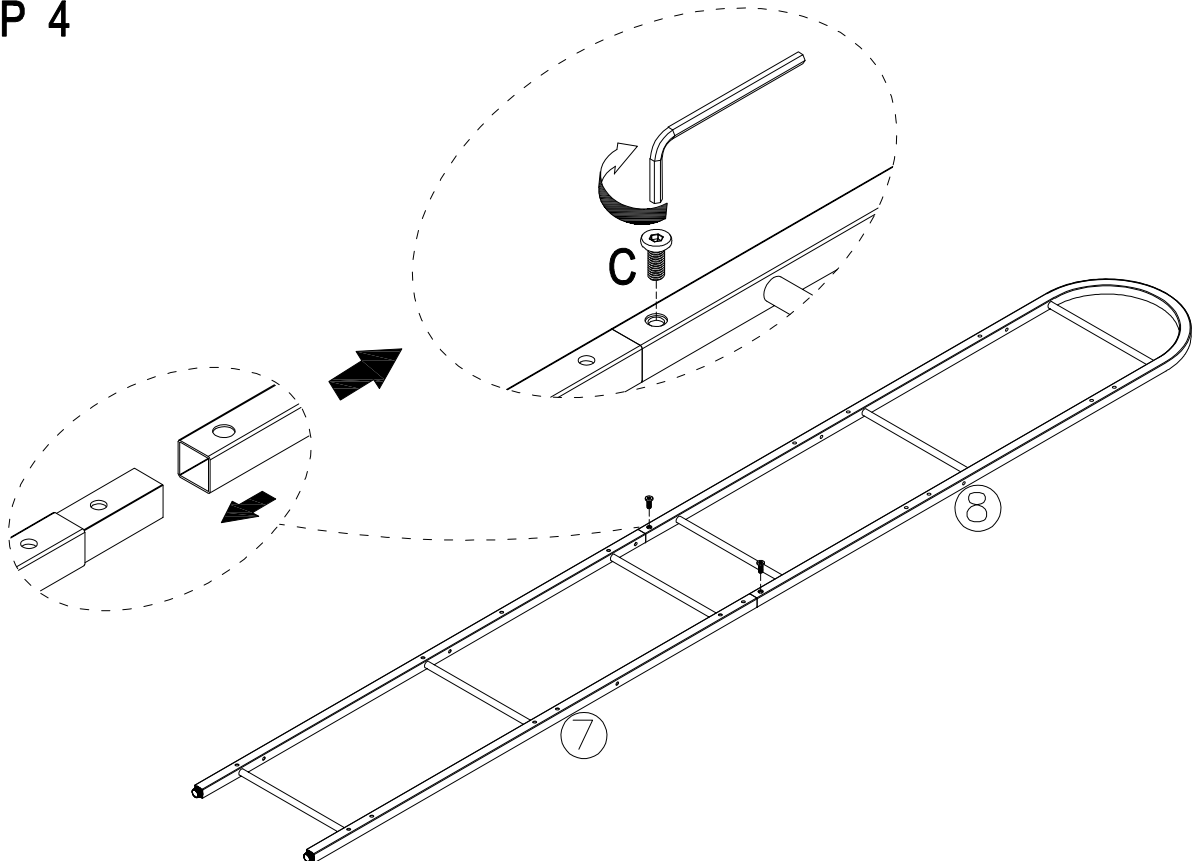
# INSTALLATION INSTRUCTION


## STEP 3



 B x15

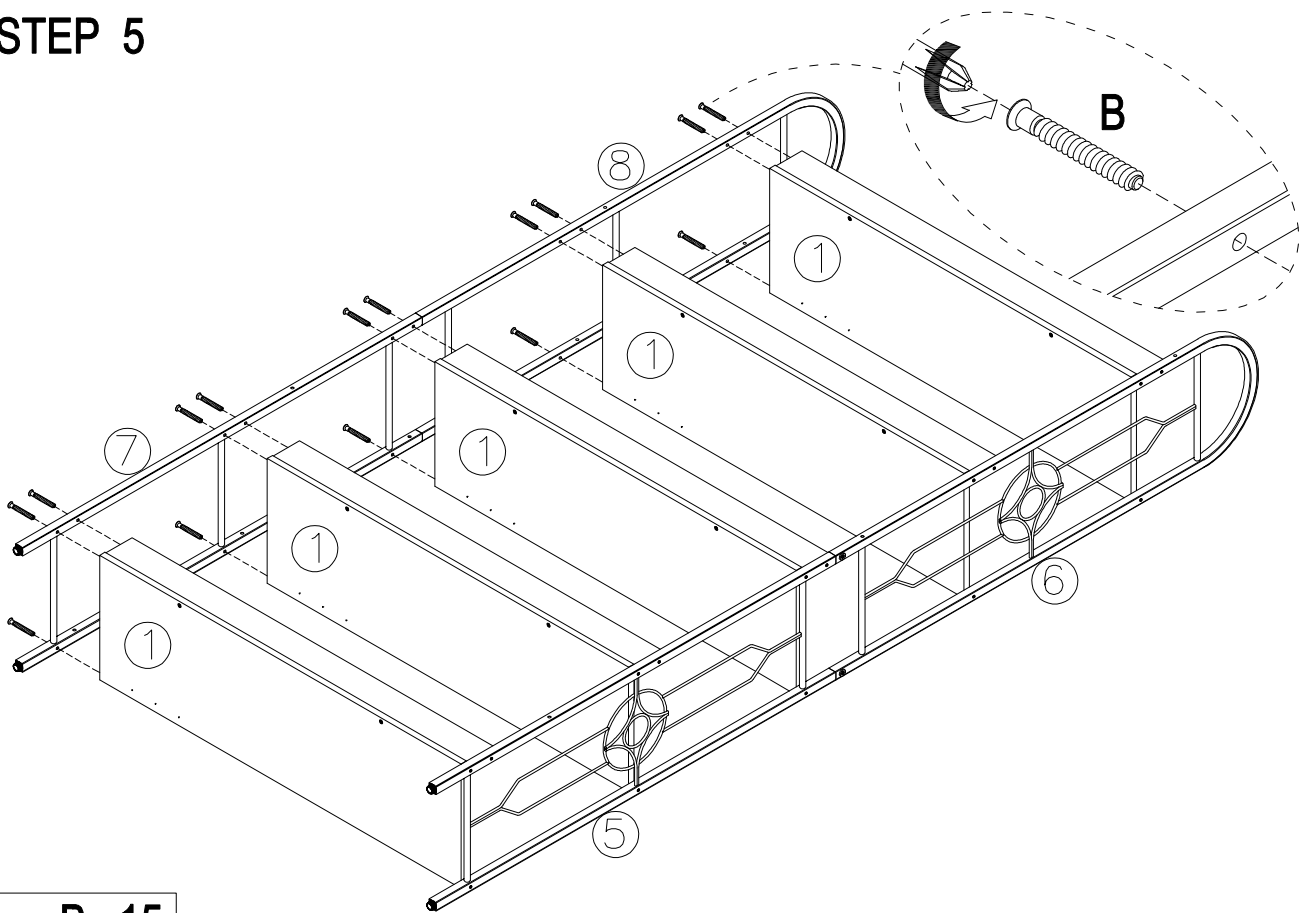
## STEP 4



 C x2

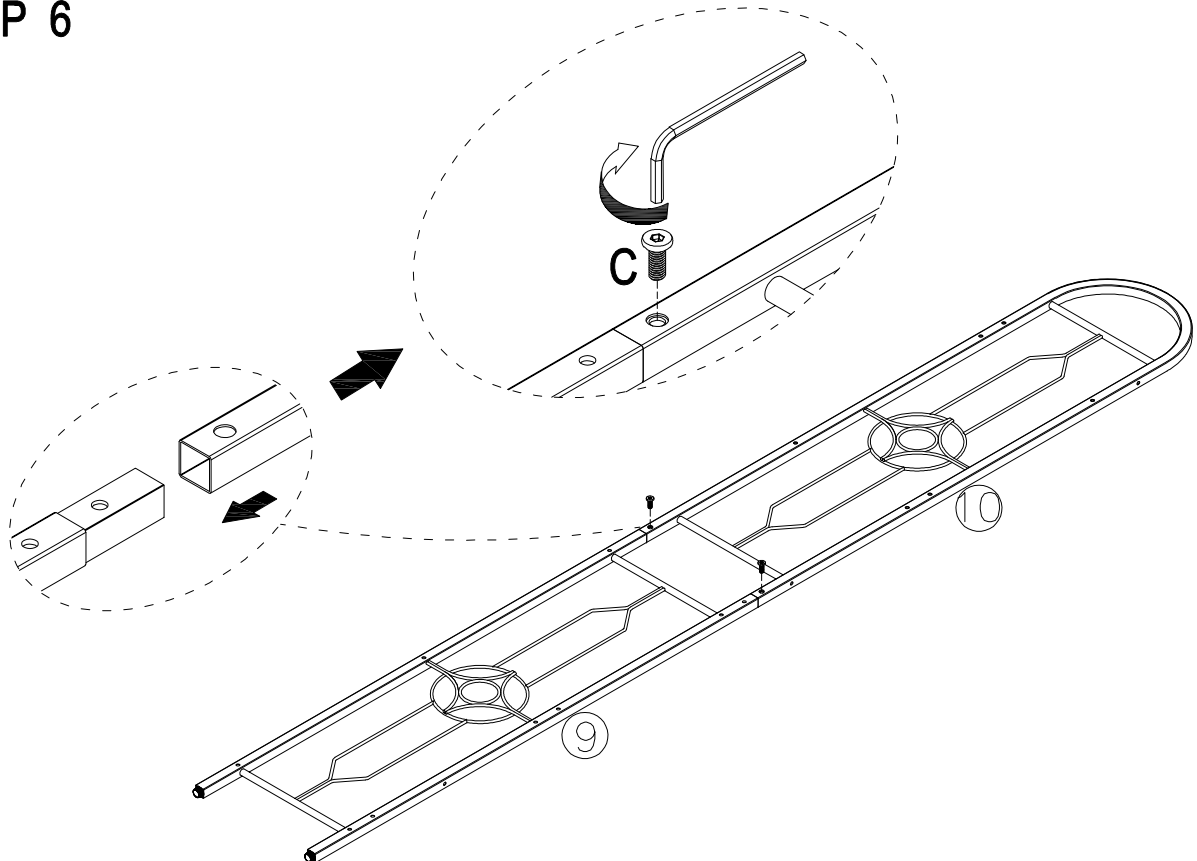
# INSTALLATION INSTRUCTION

## STEP 5



 B x15

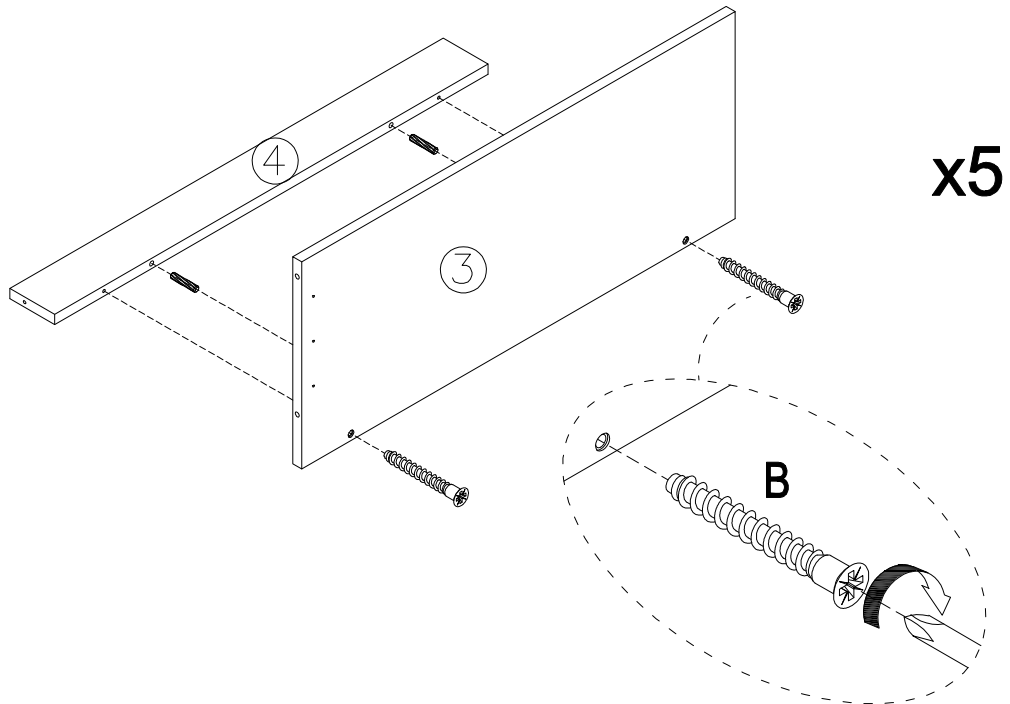
## STEP 6



 C x2

# INSTALLATION INSTRUCTION

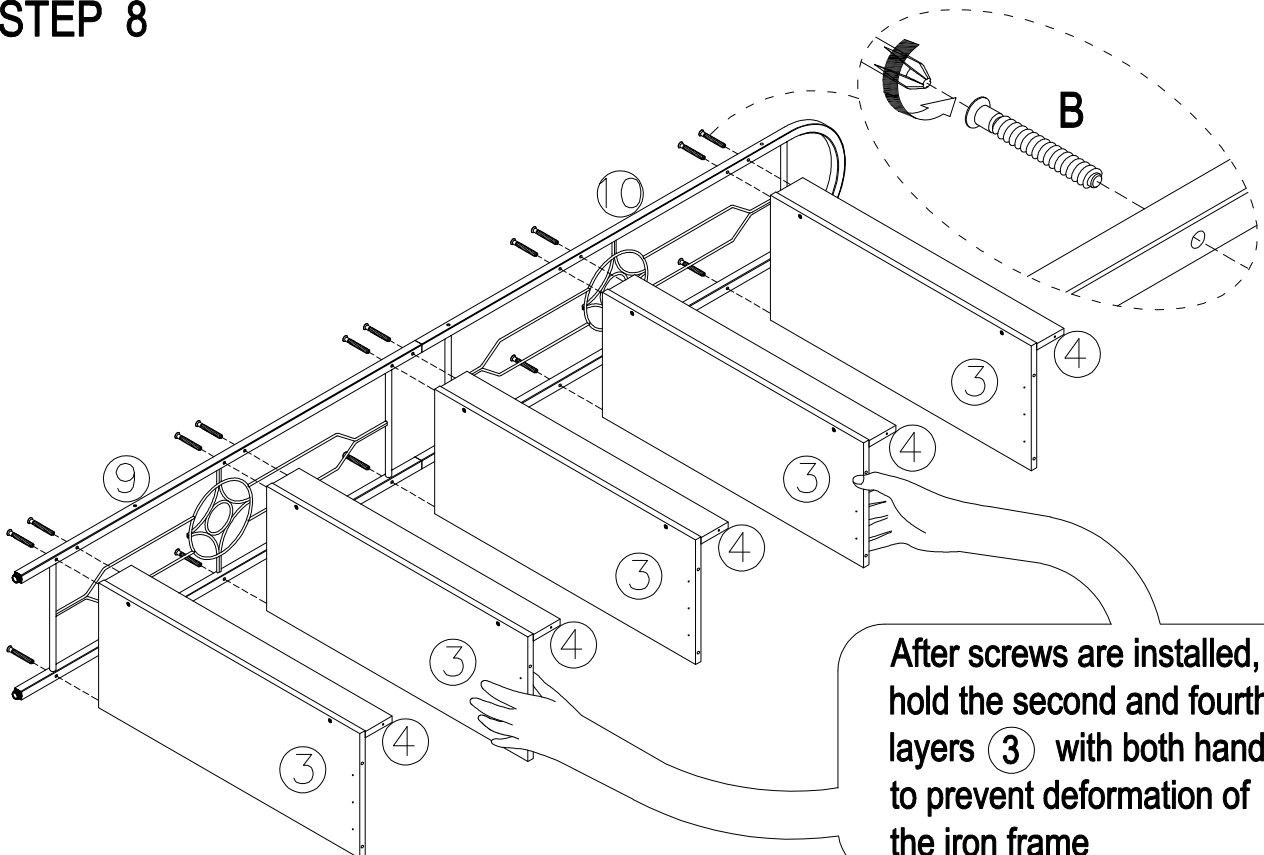
## STEP 7



 A x10

 B x10

## STEP 8

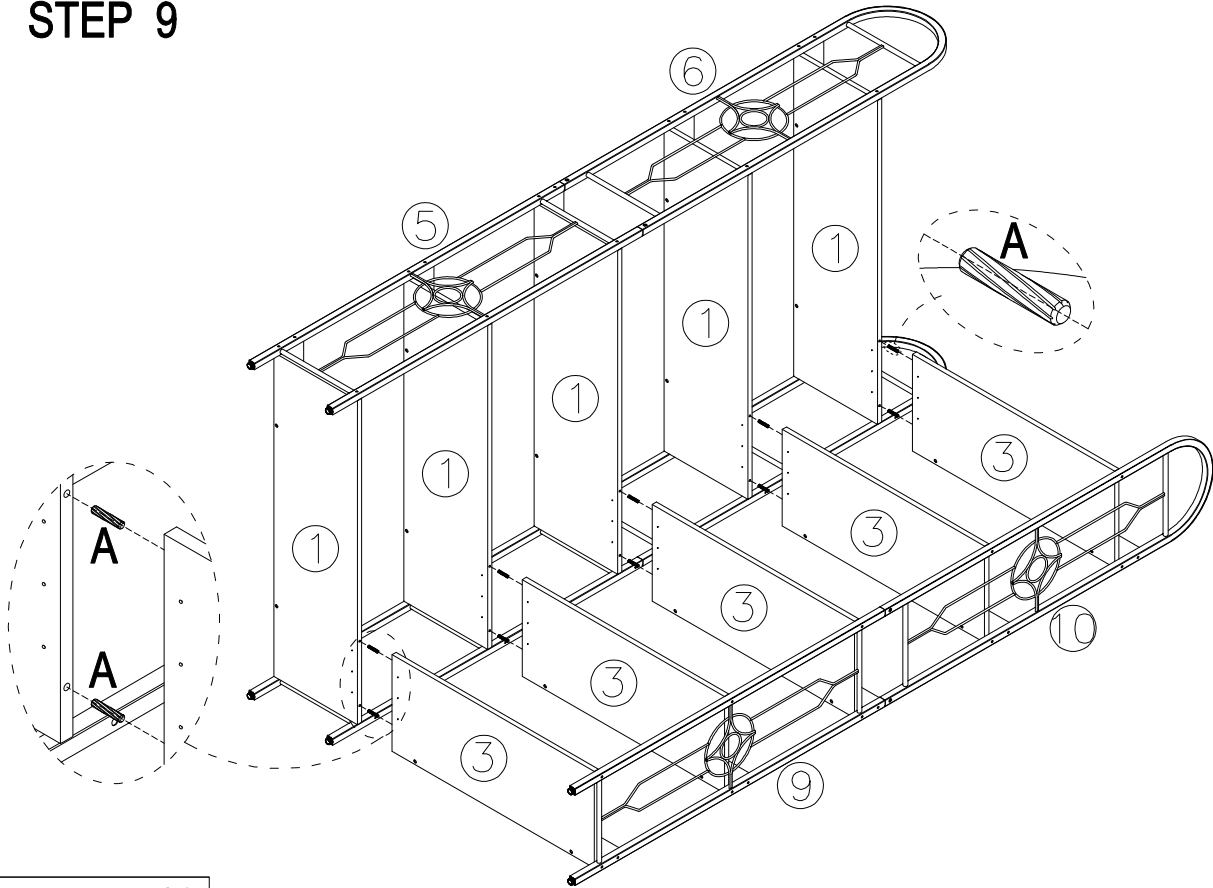


 B x15

After screws are installed, hold the second and fourth layers (3) with both hands to prevent deformation of the iron frame

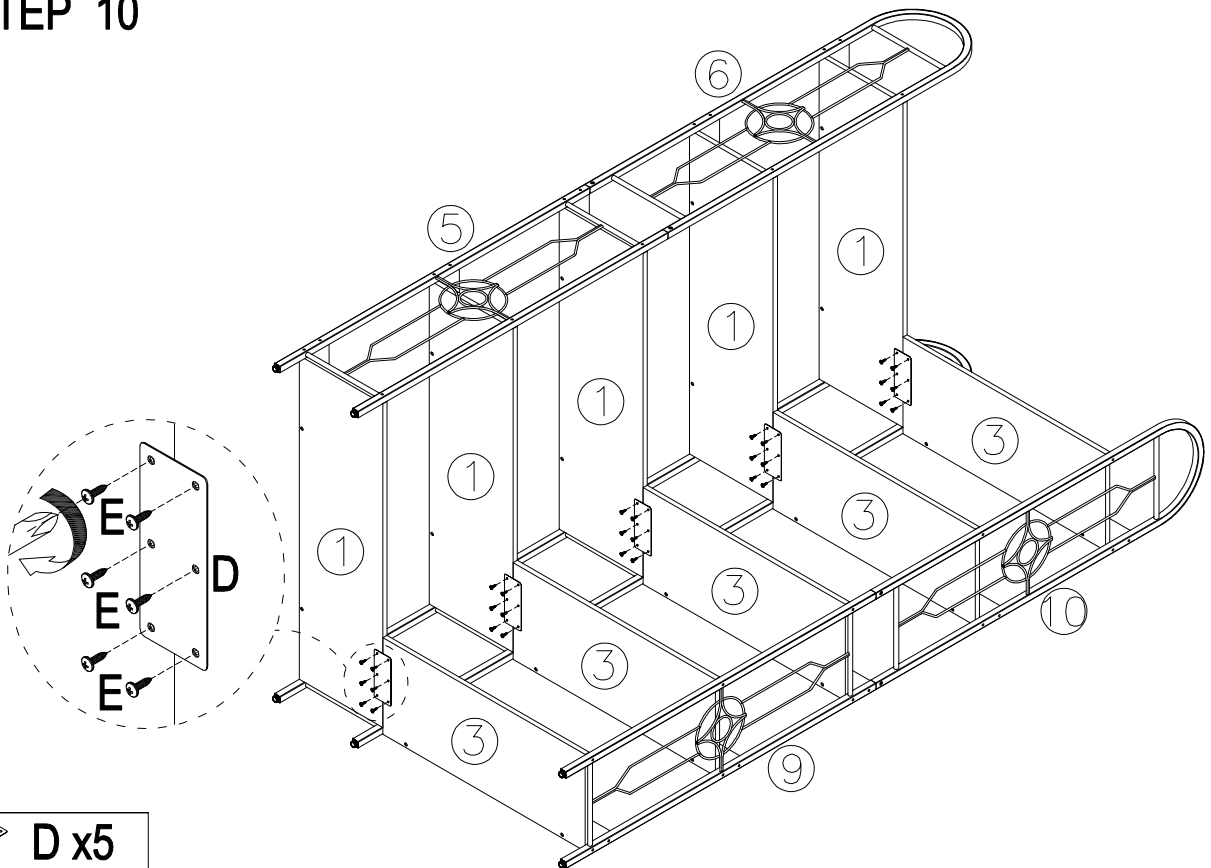
# INSTALLATION INSTRUCTION

## STEP 9



 A x10

## STEP 10

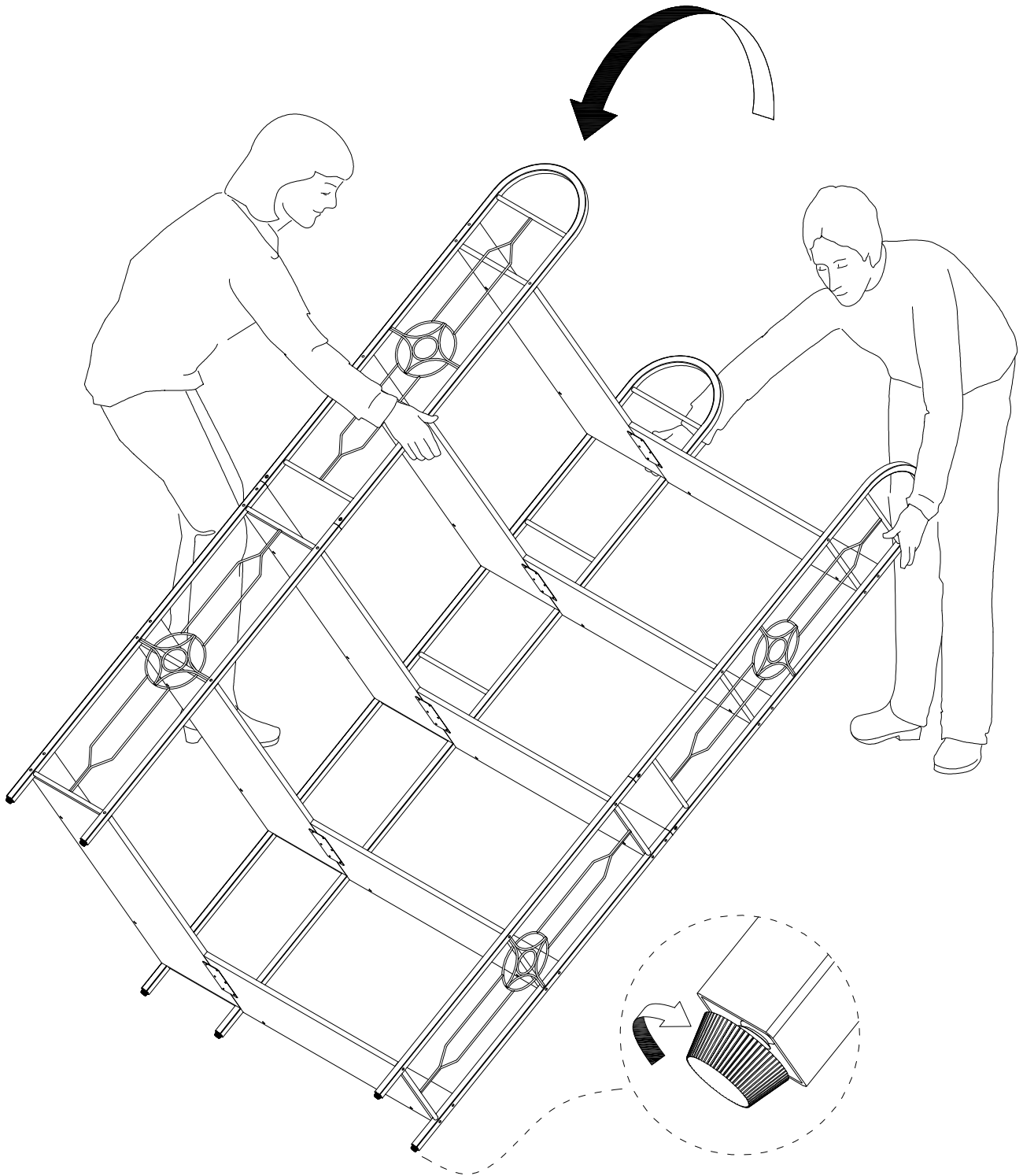


 D x5

 E x30

# INSTALLATION INSTRUCTION

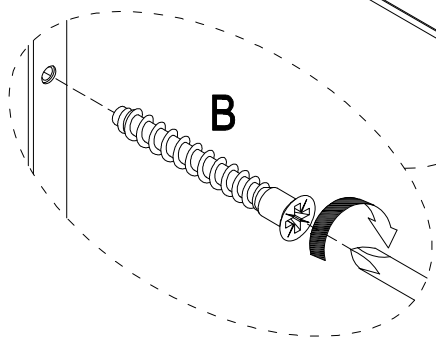
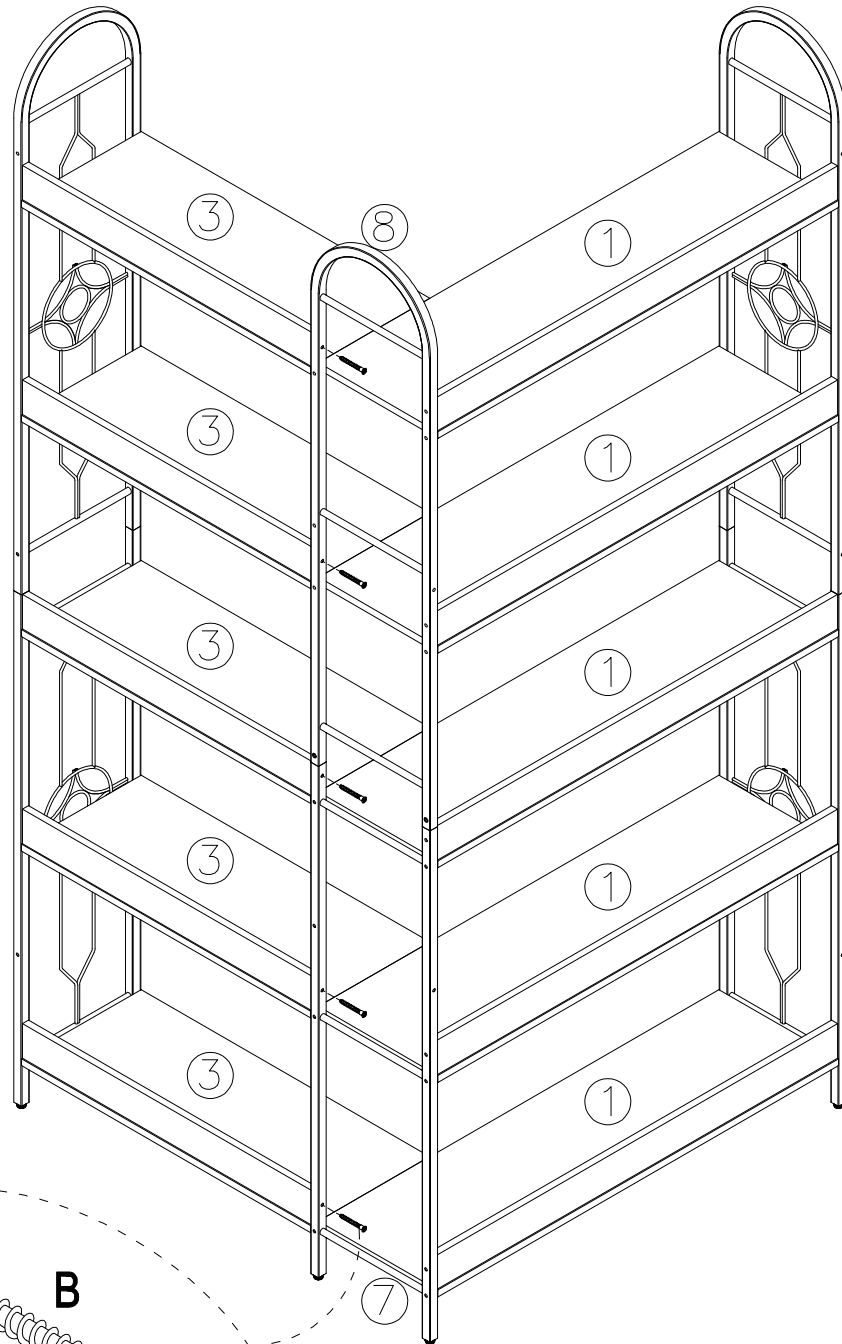
## STEP 11



Please adjust the adjusting foot before lifting the corner frame.

# INSTALLATION INSTRUCTION

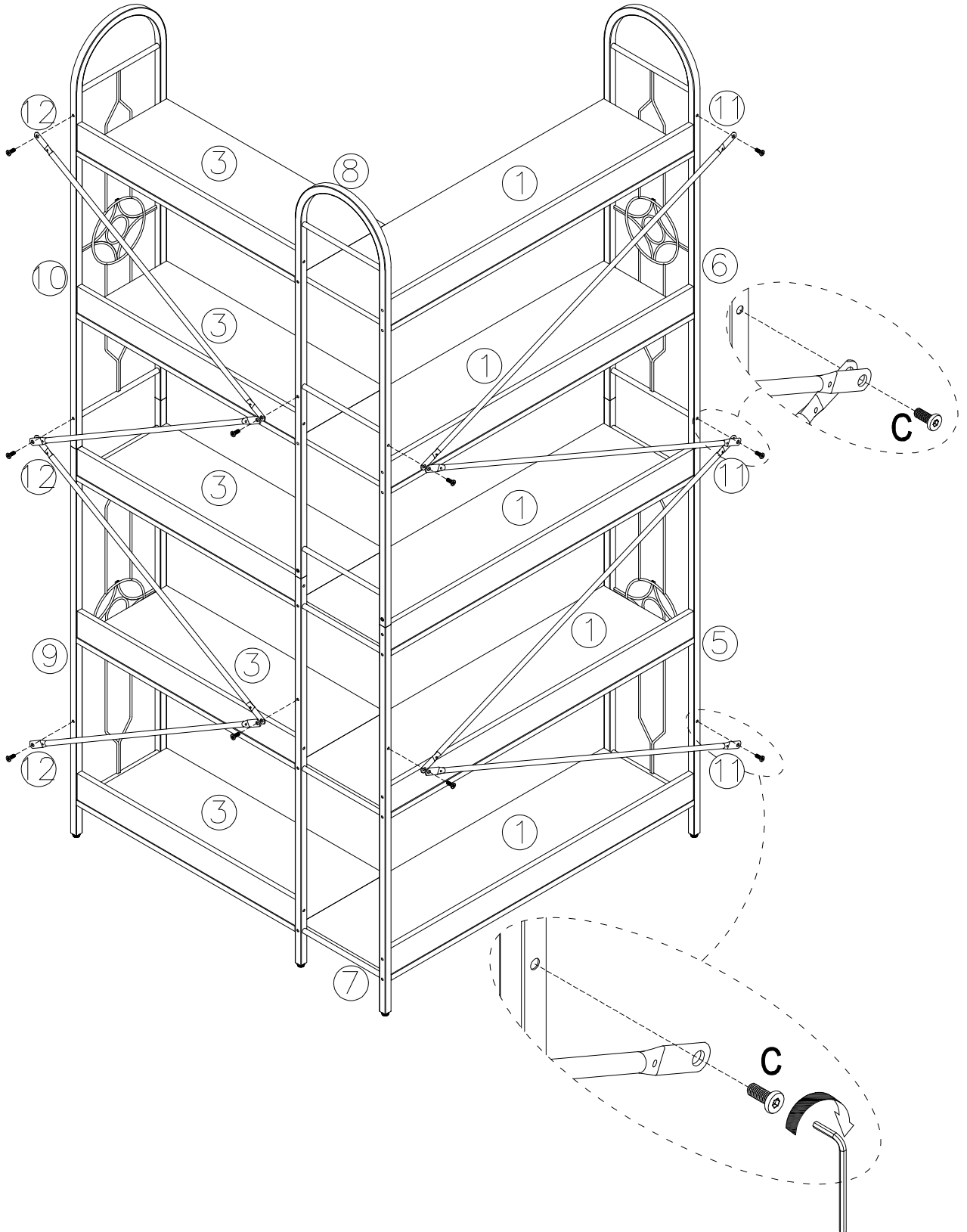
## STEP 12



 B x5

# INSTALLATION INSTRUCTION

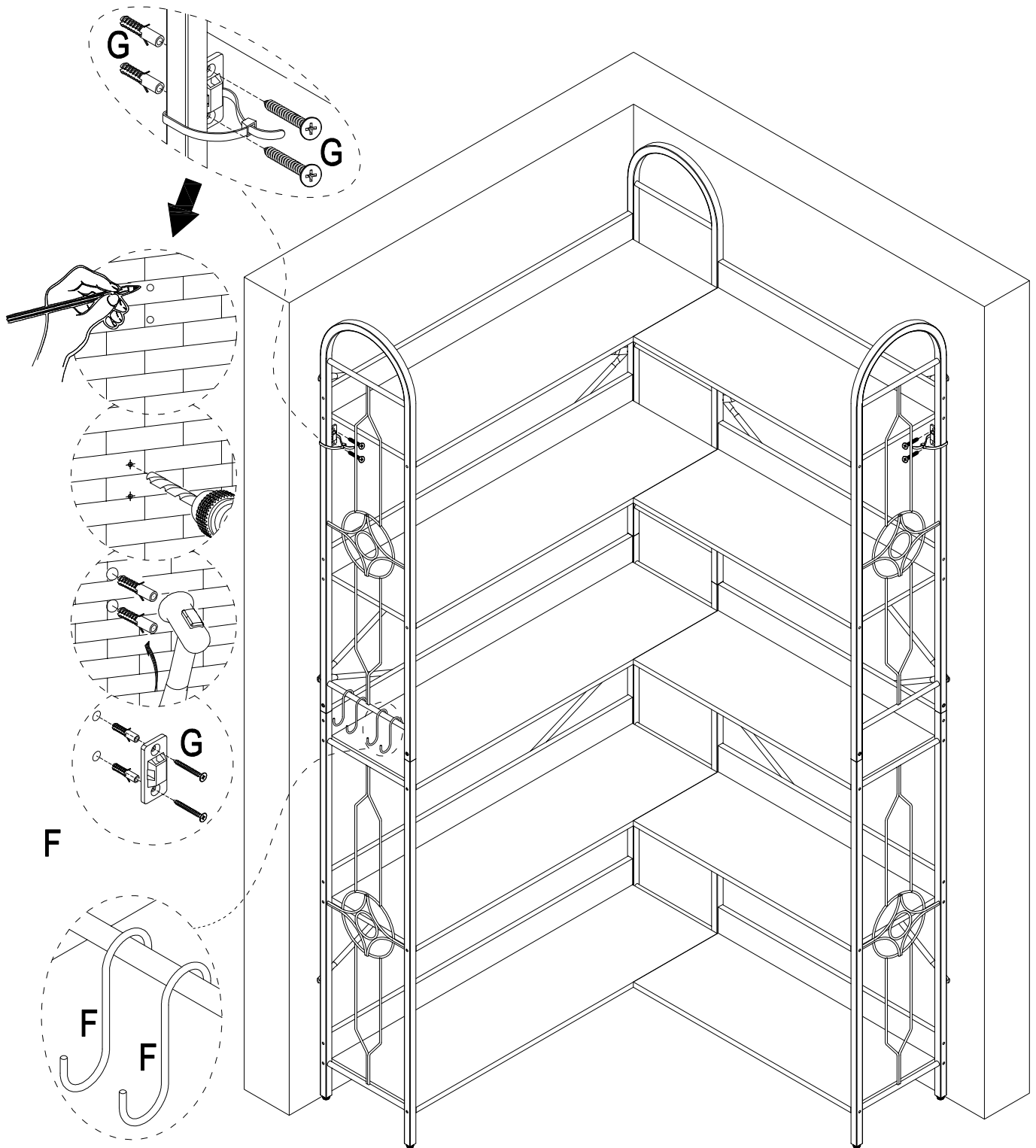
## STEP 13

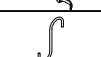


 C x10

# INSTALLATION INSTRUCTION

## STEP 14



	G x2
	F x4

# INSTALLATION INSTRUCTION

## STEP 15

