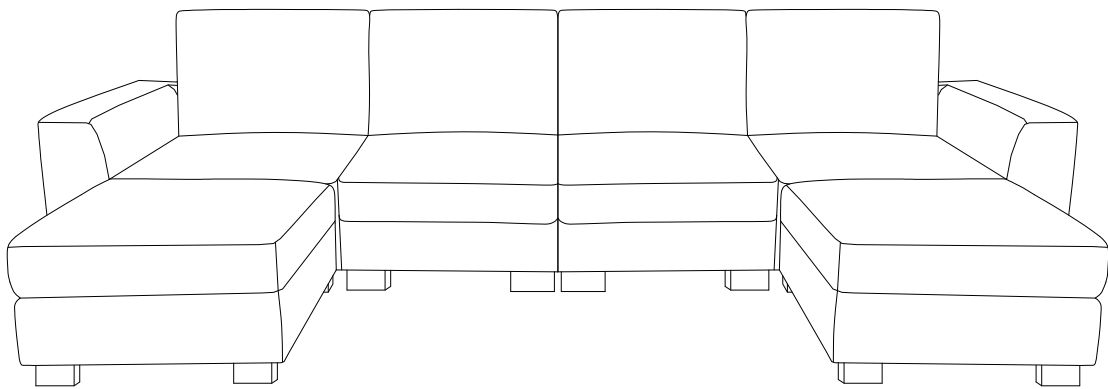
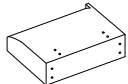

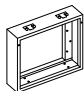
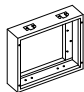
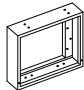
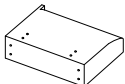


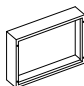
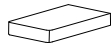








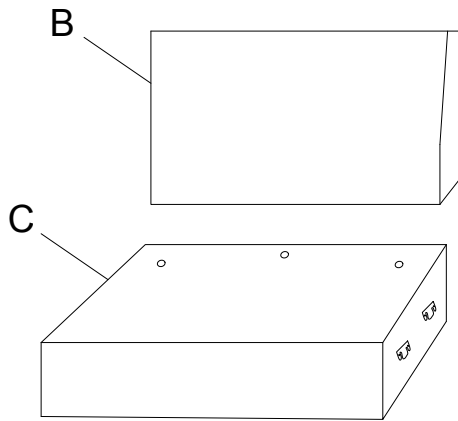
ASSEMBLY INSTRUCTIONS



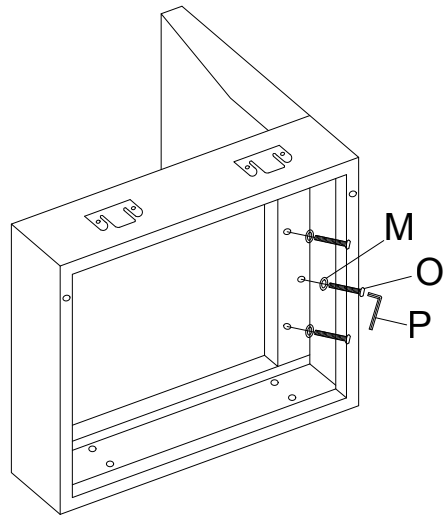
HARDWARE LIST:

A		1PC	B*2 D*2 G*2 H*2
B		4PCS	
C		1PC	
D		2PCS	
E		1PC	B*2 C*1 E*1 G*2 H*2
F		1PC	
G		4PCS	
H		4PCS	
I		2PCS	I*2 J*2 K*4 L*20 M*48 N*28 O*20 P*1
J		2PCS	
K		4PCS	
L		20PCS	
M		48PCS	A*1 F*1
N	 M8*60mm	28PCS	
O	 M8*70mm	20PCS	
P		1PC	

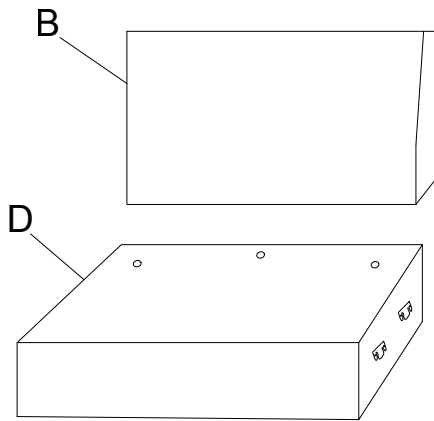
①



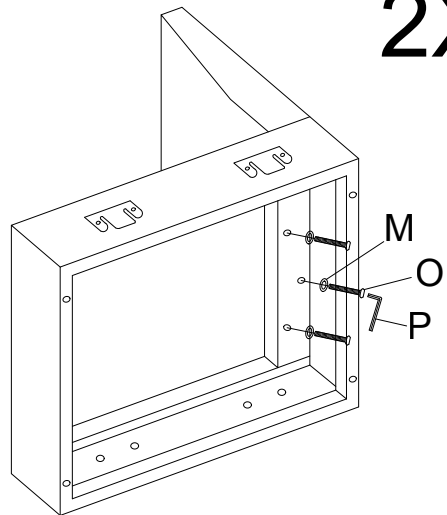
M*3
O*3



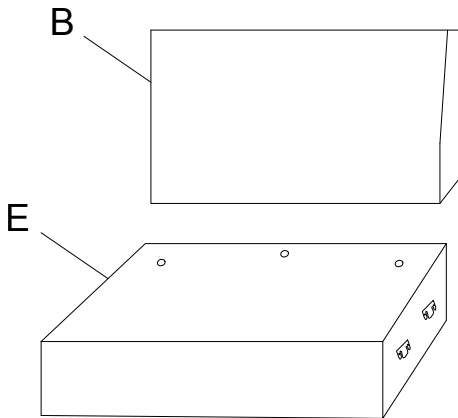
②



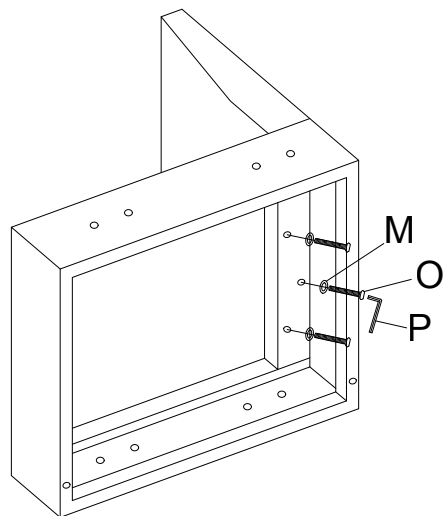
M*3
O*3



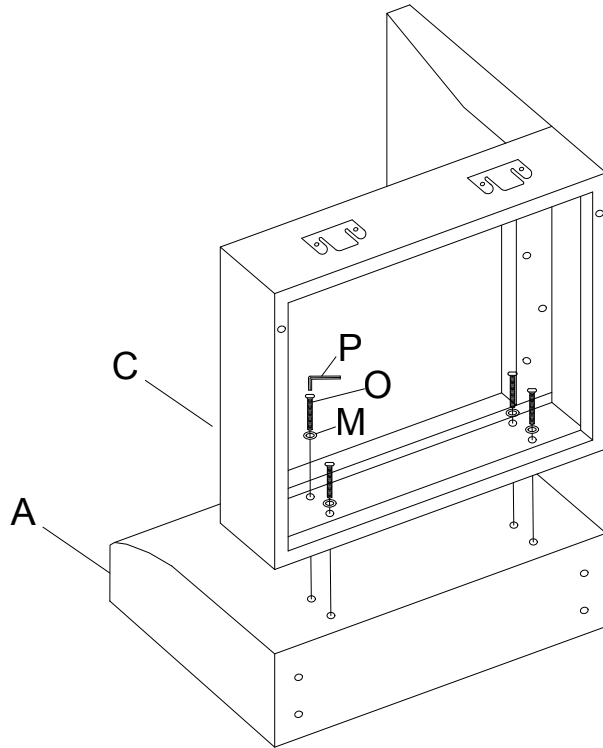
③



M*3
O*3

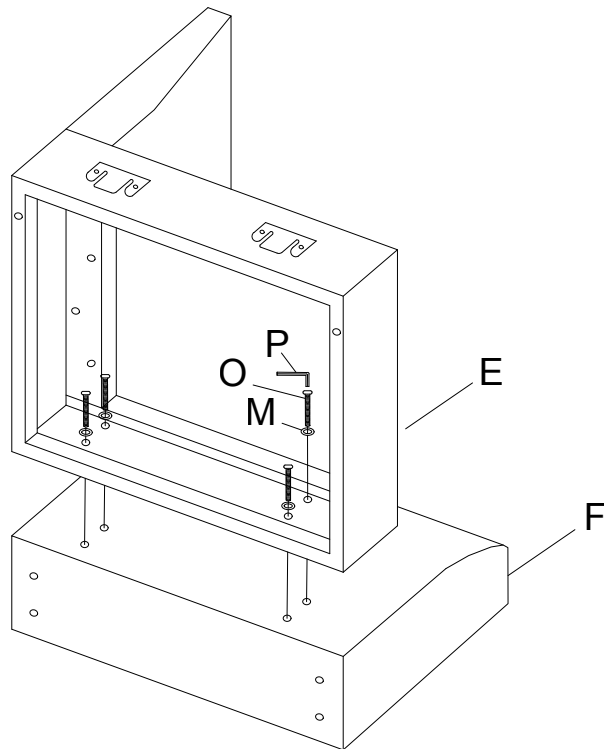


④



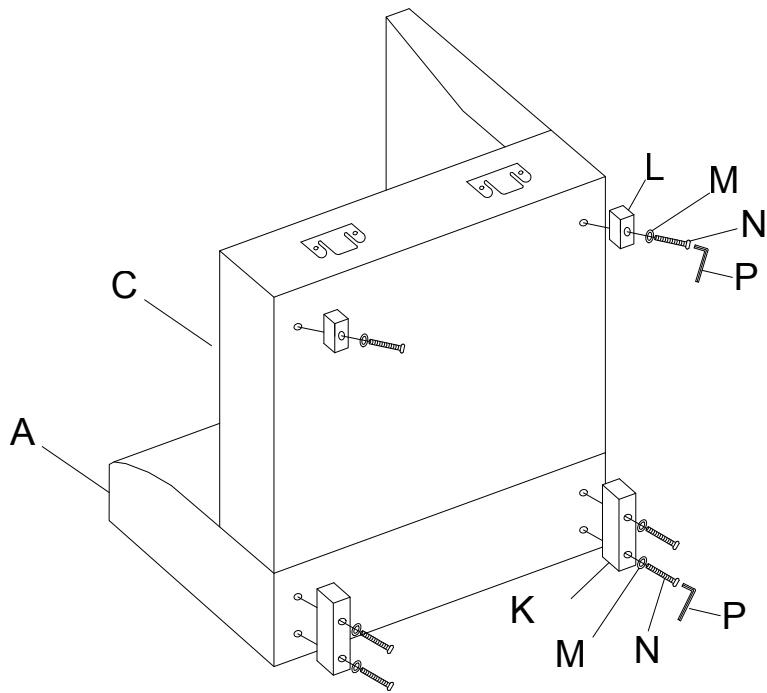
M*4
O*4

⑤



M*4
O*4

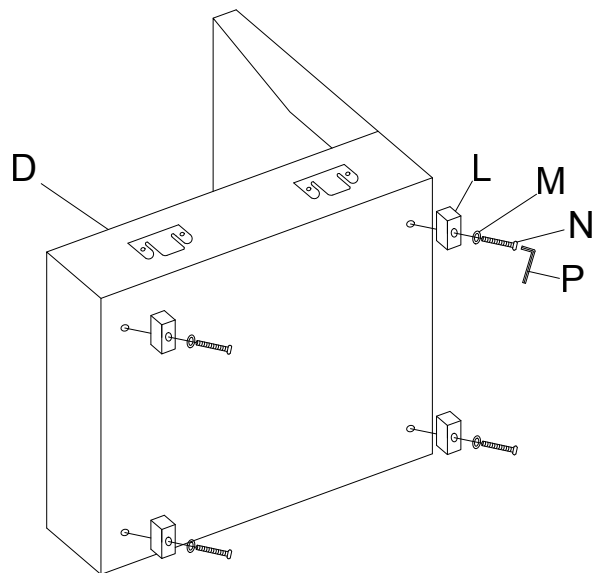
6



L *2
K *2
M *6
N *6

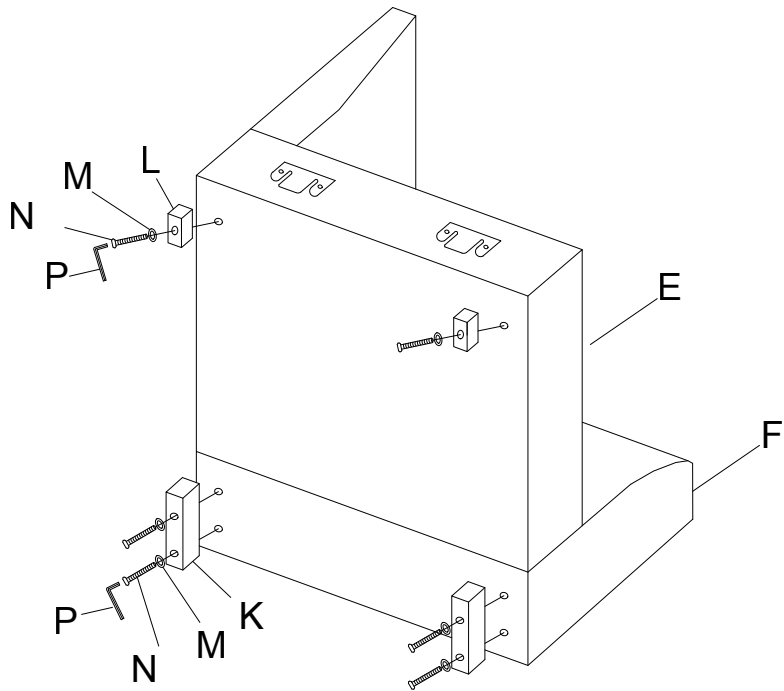
7

2X



L *4
M *4
N *4

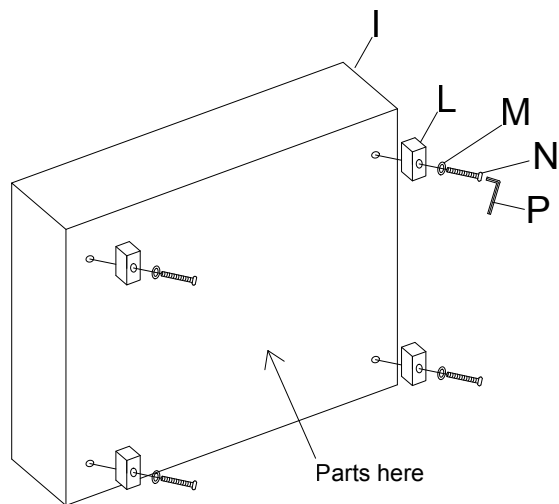
8



- L *2
- K *2
- M *6
- N *6

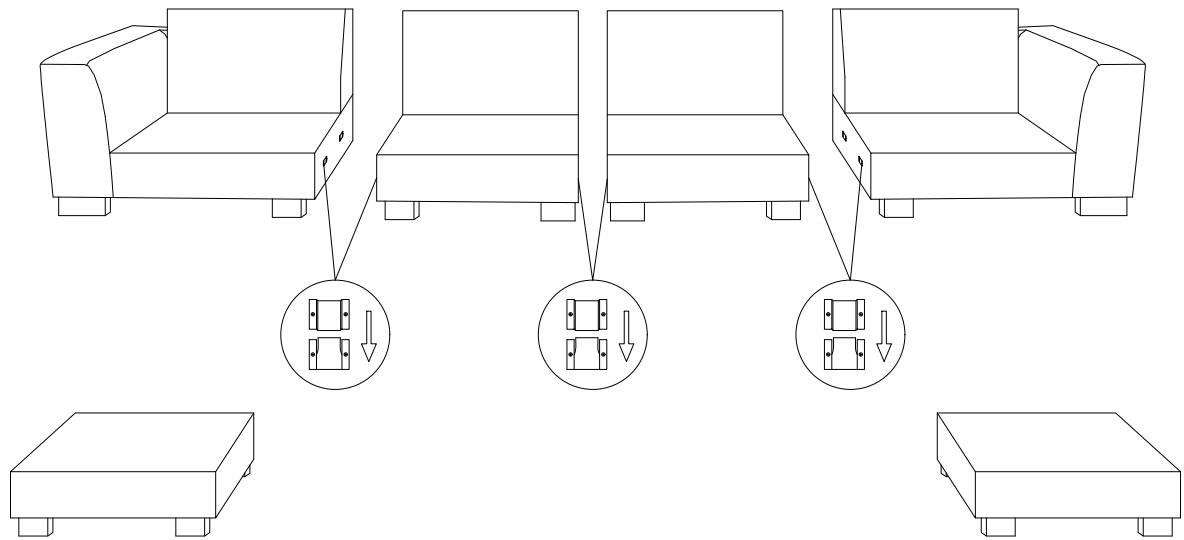
9

2X

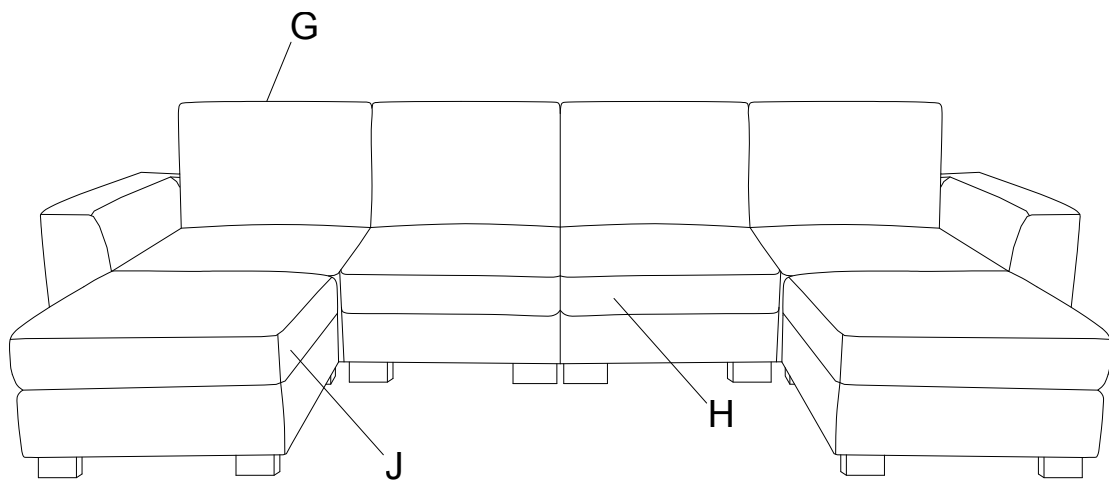


- L *4
- M *4
- N *4

10



11



G*4

H*4

J*2