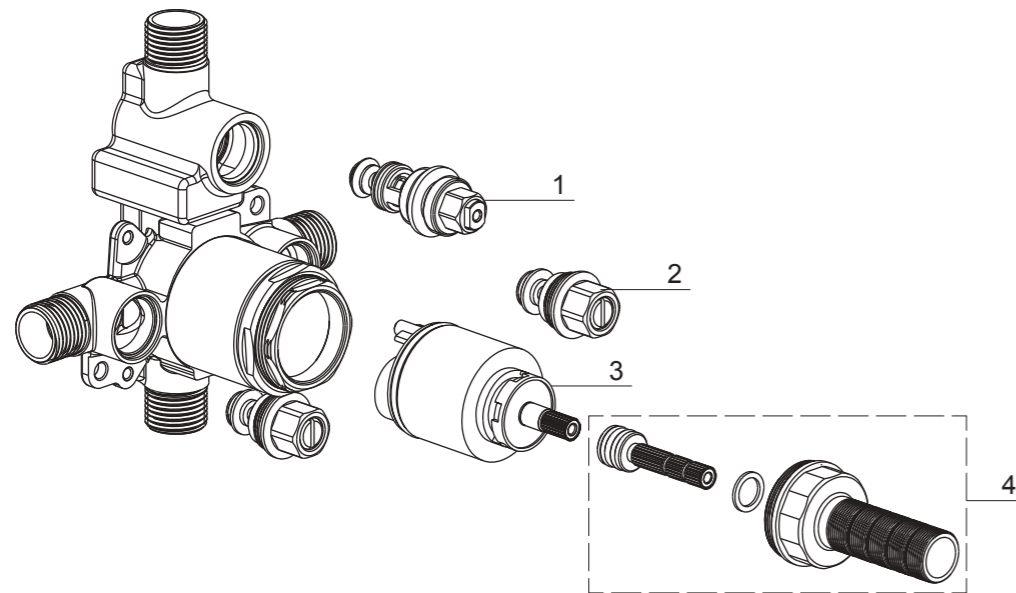


NO.	Description	Part No.
1	Diverter Assembly	9Q259800NT
2	Stop Valve	5Y0311700NT0
3	Pressure Balance Cartridge	5D0005800PLO
4	Stem & Threaded Nipple	9Q1173NT



Limited Lifetime Warranty

Ultra Faucets warrants to the original purchaser that its products will be free from defects in workmanship and materials. All Ultra Faucets are provided with a life time limited warranty. This warranty does not cover any other labor or service charges associated with the removal, repair, or reinstallation of Ultra Faucets products. This express warranty does not apply to products that have been damaged as a result of misuse, abuse, negligence, accident, faulty installation or maintenance practices and/or used in any manner contrary to those recommended by the manufacturer.

Need help? Please call our toll-free customer service line at 1-888-658-5872 for additional assistance or service.

Besoin d'aide? Veuillez communiquer avec notre service à la clientèle au numéro gratuit 1-888-658-5872 pour tous renseignements ou services complémentaires.

¿Requiere asistencia? Llame a nuestro Servicio al Cliente, sin costo, al 1-888-658-5872 para asistencia adicional o servicio.

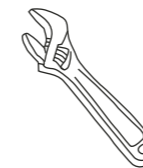
Installation/Installation/Instalación

CUSTOMER SERVICE

TOLL-FREE 1-888-OK-ULTRA (658-5872)



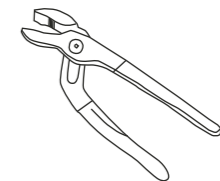
Tools You Will Need / Outils dont vous aurez besoin / Herramientas necesarias



Adjustable Wrench
Clé à molette
Llave ajustable



Pipe Tape
Ruban pour tuyau
Cinta selladora para rosca



Groove joint pliers
Pince multiprise
Pinzas ajustables

SAFETY TIPS

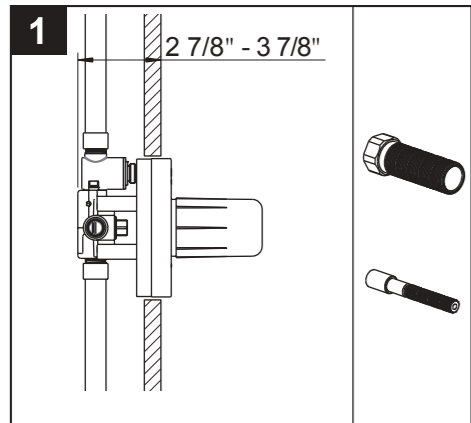
- If you use soldering for the installation of the faucet, the seats, cartridges and washers will have to be removed before using flame. Otherwise, warranty will be void on those parts.
- Cover your drain to avoid losing parts.
- 0°C~55°C.

CONSIGNES DE SÉCURITÉ

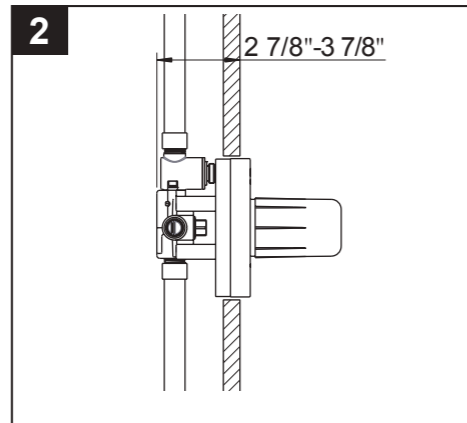
- Si vous posez le robinet par brasage, il est essentiel de retirer les sièges, les cartouches et les rondelles avant d'appliquer la flamme, faute de quoi la garantie sur ces pièces sera annulée.
- Couvrez le drain pour ne pas perdre des pièces.
- 0°C~55°C.

CONSEJOS DE SEGURIDAD

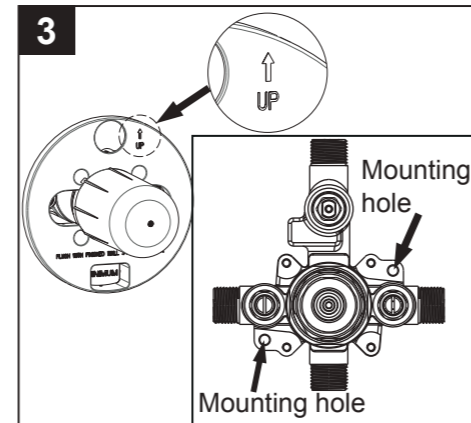
- En el caso de utilizar soldadura para instalar el grifo, remueva los asientos, cartuchos y arandelas antes de usar la llama. De lo contrario, se anulará la garantía para esos componentes.
- Tape la boca del desagüe para prevenir la pérdida de piezas pequeñas.
- 0°C~55°C.



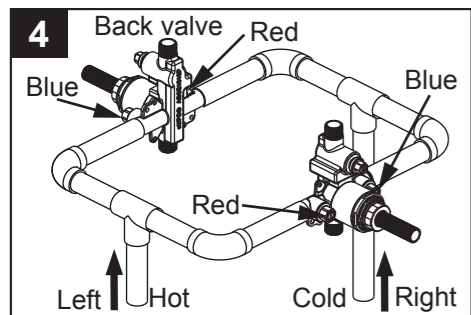
1
This valve is designed to fit into a wall that is 2 7/8" to 3 7/8" from finished wall to the back of the valve. Extensions are shipped with the trim.



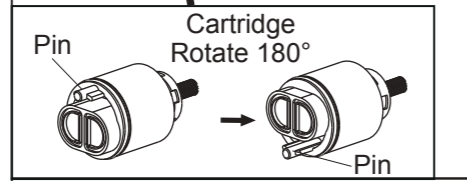
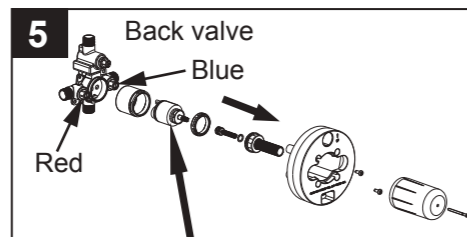
2
Turn off the water supplies. Install the valve so the finished wall will fit between the markers on the mud guard.



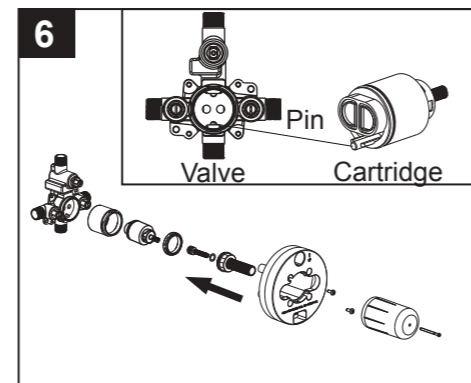
3
Using mounting holes secure the valve making sure the "UP" label outlet is on top.



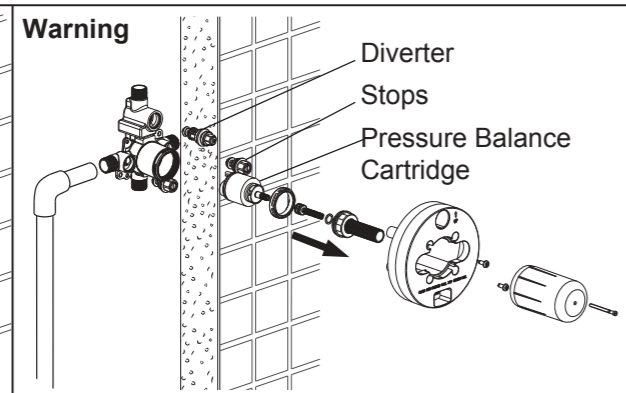
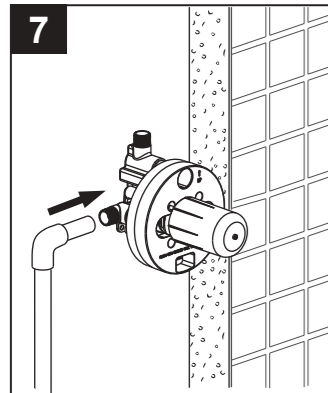
4
If you are making a back-to-back installation (hot on right and cold on the left), install the back valve body as described in steps #5 – #6. If not, go to step #7. NOTE: Notice that the back valve has hot and cold indicators that will be opposite of the incoming supply lines.



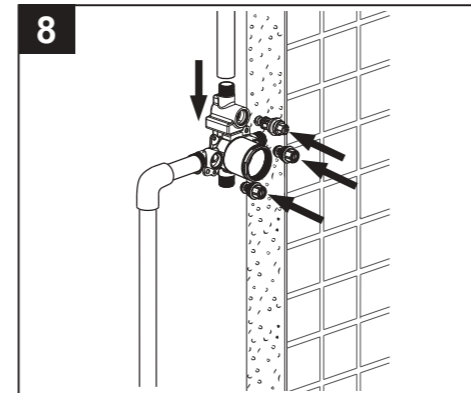
5
Remove the cartridge and stem assembly. Notice that the pin is at the top. Rotate the cartridge 180°. The pin should be on the bottom.



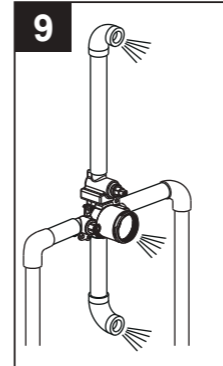
6
Align the pins on the bottom of the cartridge and push the cartridge into the valve. Make sure the cartridge is firmly installed into the valve body. Reinstall stem assembly with mud guard.



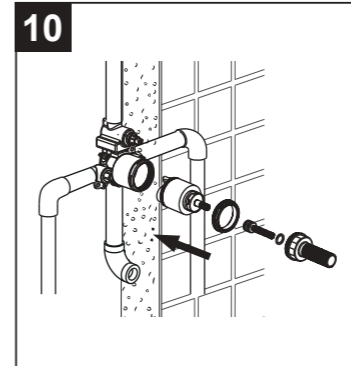
7
Warning
Connect valve body to water supplies using the proper fittings (copper tubing or pex). Warning: avoid soldering at high temperature. Exposure to high temperature may damage the cartridge. Be sure diverter, stops and pressure balance cartridge are removed before soldering.



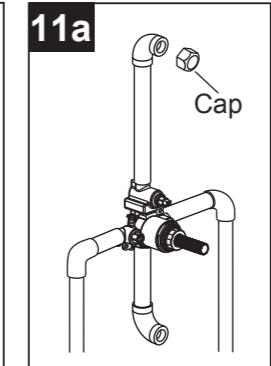
8
Connect the valve body to the outlets with the proper fitting. Note: it is suggested that you anchor all water lines.



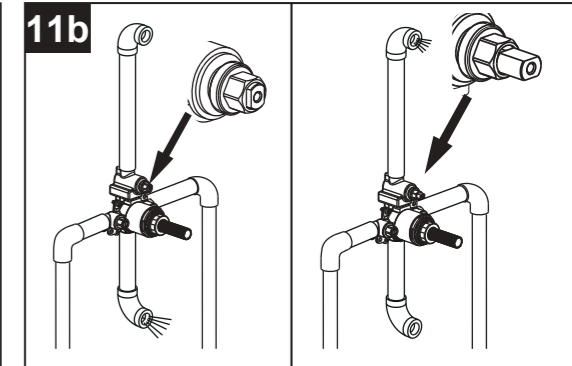
9
Flush the system



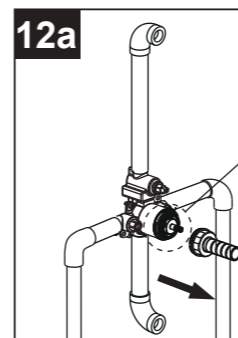
10
Reinstall cartridge assembly and stop assembly to the valve body.



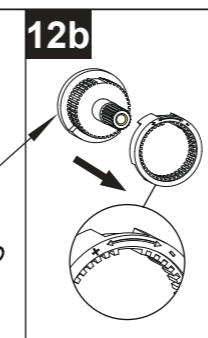
11a
Pressure test and check for leaks.



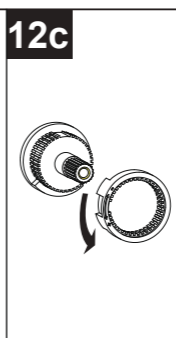
11b
Turn the water on. Test the diverter.



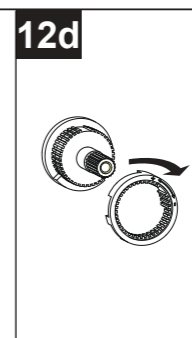
12a
Temperature Adjustment:
a: Remove the stem assembly.



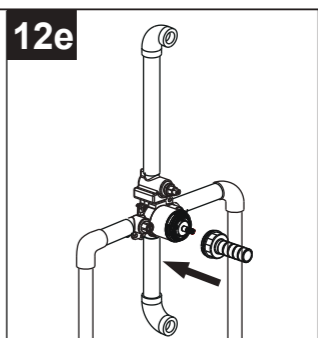
12b
b: Remove the spacing collar.



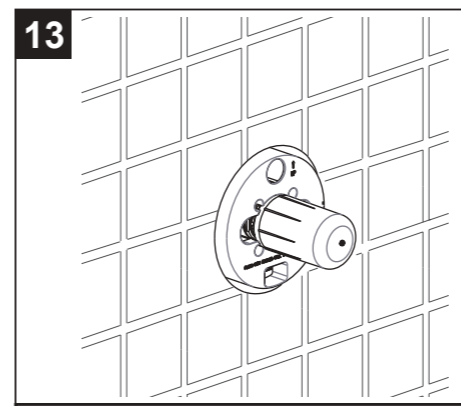
12c
c: Rotate the spacing collar to adjust hottest temperature. Rotate clockwise to reduce temperature.



12d
d: Rotate counterclockwise to increase temperature.



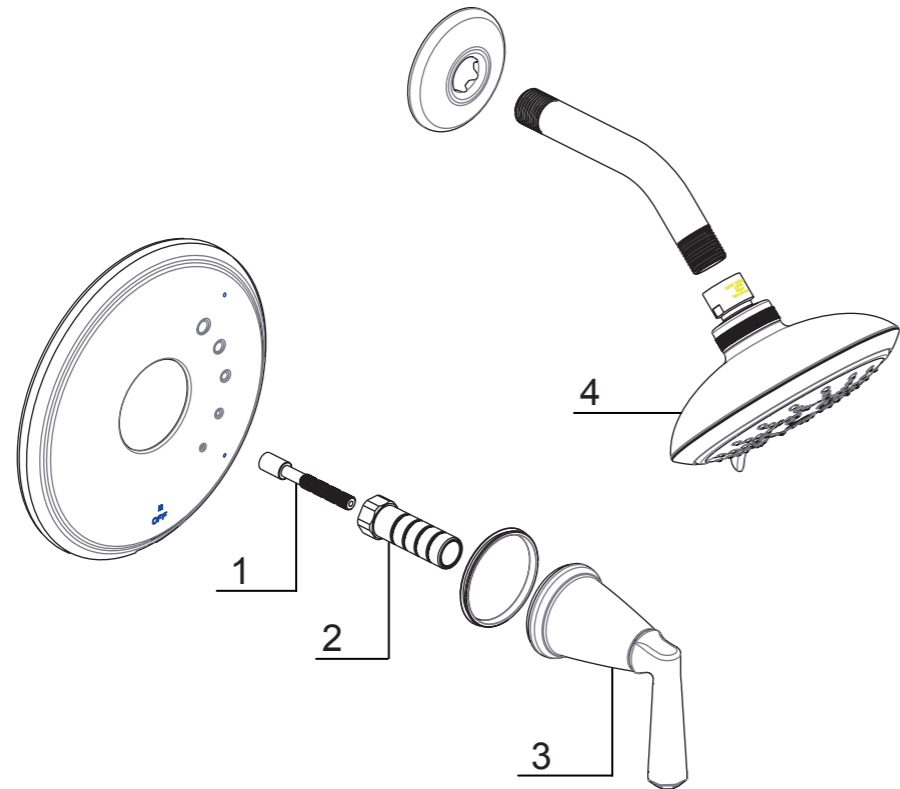
12e
e: Reinstall the stem assembly.



13
Installation completed.

Replacement Parts / Pièces de rechange / Repuestos

NO.	Description	Part No.
1	Pressure Balance Stem Extension	5P0C0582NT
2	Threaded Nipple Extension	5T1C0319NT
3	Handle Assembly	9Q225900CP/AP/HA/HBW
4	Shower Head	5F0001300CP/AP/HA/HBW0A0



Limited Lifetime Warranty

Ultra Faucets warrants to the original purchaser that its products will be free from defects in workmanship and materials. All Ultra Faucets are provided with a life time limited warranty. This warranty does not cover any other labor or service charges associated with the removal, repair, or reinstallation of Ultra Faucets products. This express warranty does not apply to products that have been damaged as a result of misuse, abuse, negligence, accident, faulty installation or maintenance practices and/or used in any manner contrary to those recommended by the manufacturer.

Need help? Please call our toll-free customer service line at 1-888-658-5872 for additional assistance or service.

Besoin d'aide? Veuillez communiquer avec notre service à la clientèle au numéro gratuit 1-888-658-5872 pour tous renseignements ou services complémentaires.

¿Requiere asistencia? Llame a nuestro Servicio al Cliente, sin costo, al 1-888-658-5872 para asistencia adicional o servicio.

UF79600-1
UF79603-1
UF79605-1
UF79607-1

Z Collection

Single-Handle Shower Only Trim



Installation/Installation/Instalación

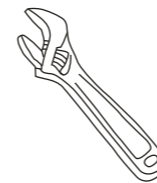
CUSTOMER SERVICE

TOLL-FREE 1-888-OK-ULTRA (658-5872)



UF79600-1 - Polished Chrome
UF79603-1 - PVD Brushed Nickel
UF79605-1 - Oil Rubbed Bronze
UF79607-1 - Matte Black

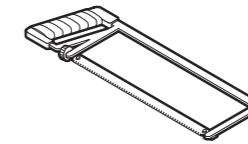
Tools You Will Need / Outils dont vous aurez besoin / Herramientas necesarias



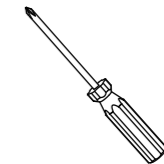
Adjustable Wrench
Clé à molette
Llave ajustable



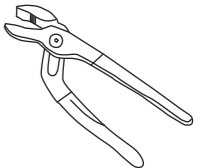
Pipe Tape
Ruban pour tuyau
Cinta selladora para rosca



Hacksaw
Scie à métaux
Sierra para metales



Phillips Screwdriver
Tournevis cruciforme
Destornillador cruciforme



Groove join pliers
Pince multiprise
Pinzas ajustables

SAFETY TIPS

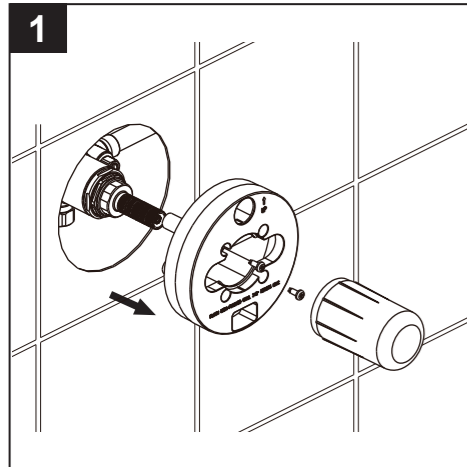
- If you use soldering for the installation of the faucet, the seats, cartridges and washers will have to be removed before using flame. Otherwise, warranty will be void on those parts.
- Cover your drain to avoid losing parts.
- 0°C~55°C.

CONSIGNES DE SÉCURITÉ

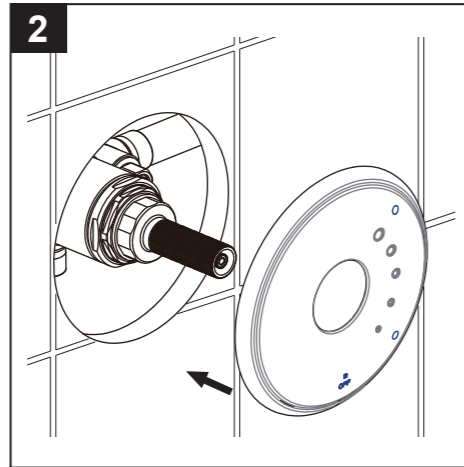
- Si vous posez le robinet par brasage, il est essentiel de retirer les sièges, les cartouches et les rondelles avant d'appliquer la flamme, faute de quoi la garantie sur ces pièces sera annulée.
- Couvrez le drain pour ne pas perdre des pièces.
- 0°C~55°C.

CONSEJOS DE SEGURIDAD

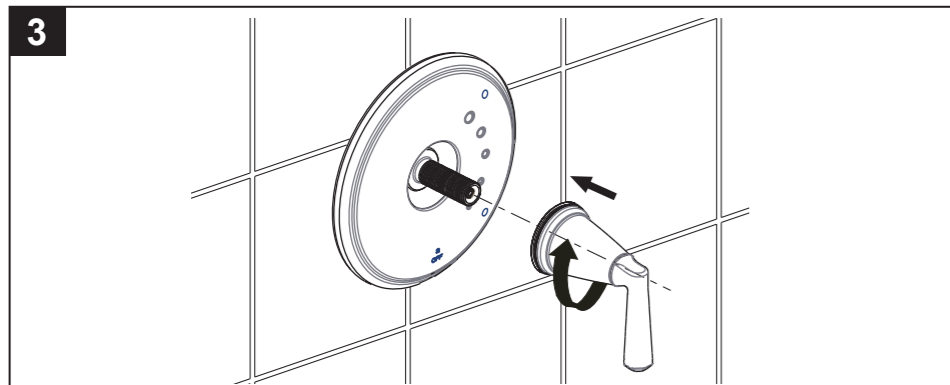
- En el caso de utilizar soldadura para instalar el grifo, remueva los asientos, cartuchos y arandelas antes de usar la llama. De lo contrario, se anulará la garantía para esos componentes.
- Tape la boca del desagüe para prevenir la pérdida de piezas pequeñas.
- 0°C~55°C.



Remove the mud guard.

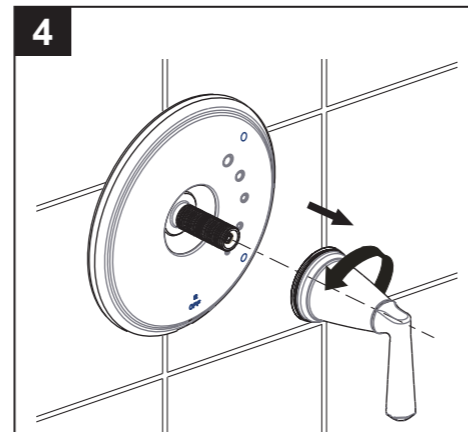


Carefully slide the escutcheon on valve.

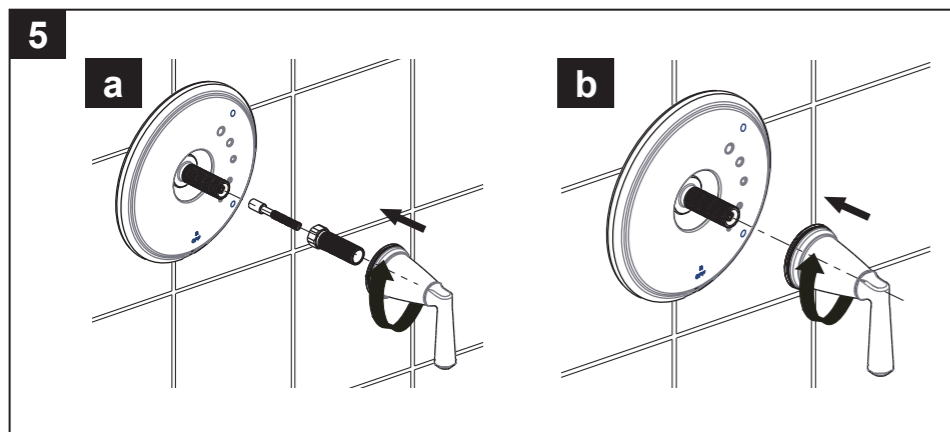


Place the handle assembly on the valve and rotate clockwise securing the handle assembly and escutcheon to the wall and engaging the stem.

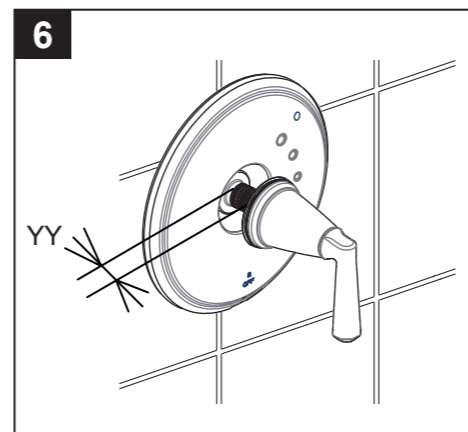
- If all functions smoothly go to step #10.
- If the handle assembly will not engage the stem, go to step #4.
- If the handle assembly will not bottom out on the escutcheon go to step #6.



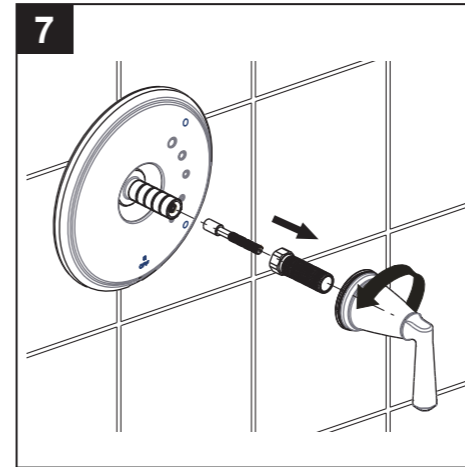
If the handle assembly will not engage the stem, remove the handle assembly.



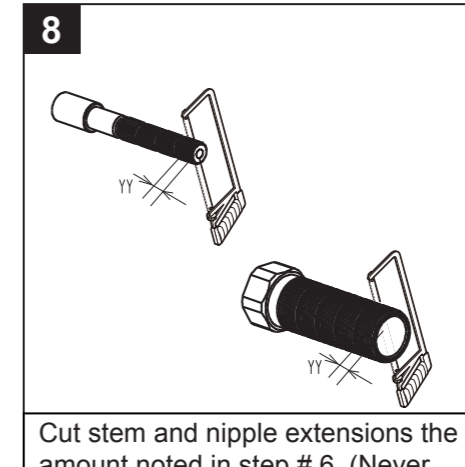
- a.) Add the threaded nipple and pressure balance stem extensions.
- b.) Attach handle assembly.
- c.) If all functions smoothly go to step #10. If the handle assembly will not bottom out on the escutcheon go to step #6.



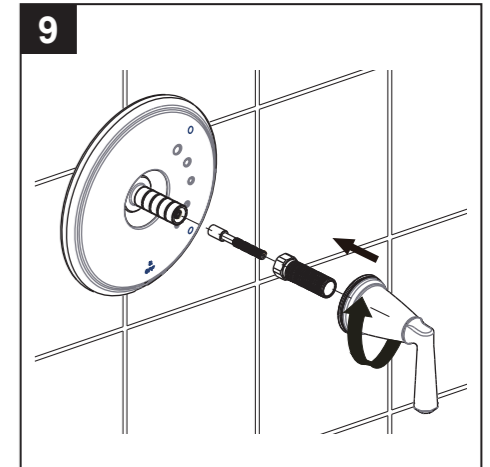
Measure and note the distance 'YY' (the distance between the bottom of the handle assembly and the escutcheon).



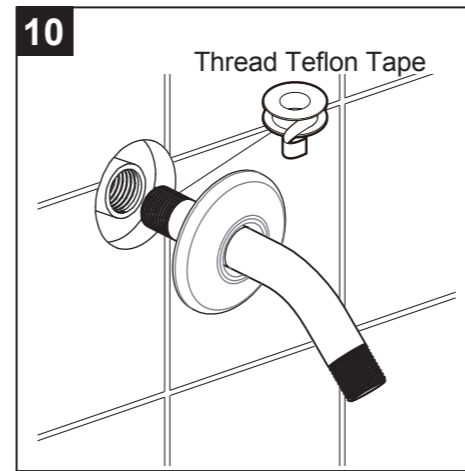
Remove the handle assembly and nipple and stem extensions.



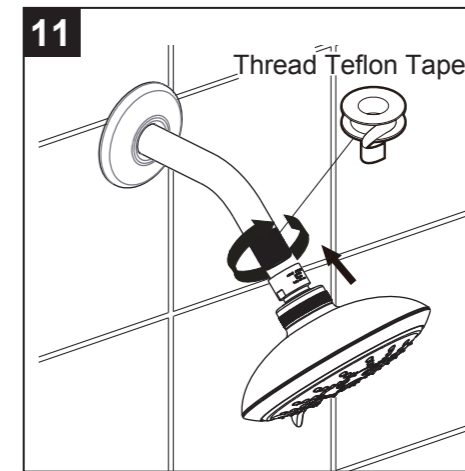
Cut stem and nipple extensions the amount noted in step # 6. (Never cut the stem and nipple while still on the valve. This may damage the valve.)



Re-install the nipple and stem extension and handle assembly.



Apply teflon tape to the shower arm and thread clockwise into the nipple and slide on the flange.



Apply teflon tape to the end of the shower arm and thread the showerhead on to the shower arm.



Installation complete.