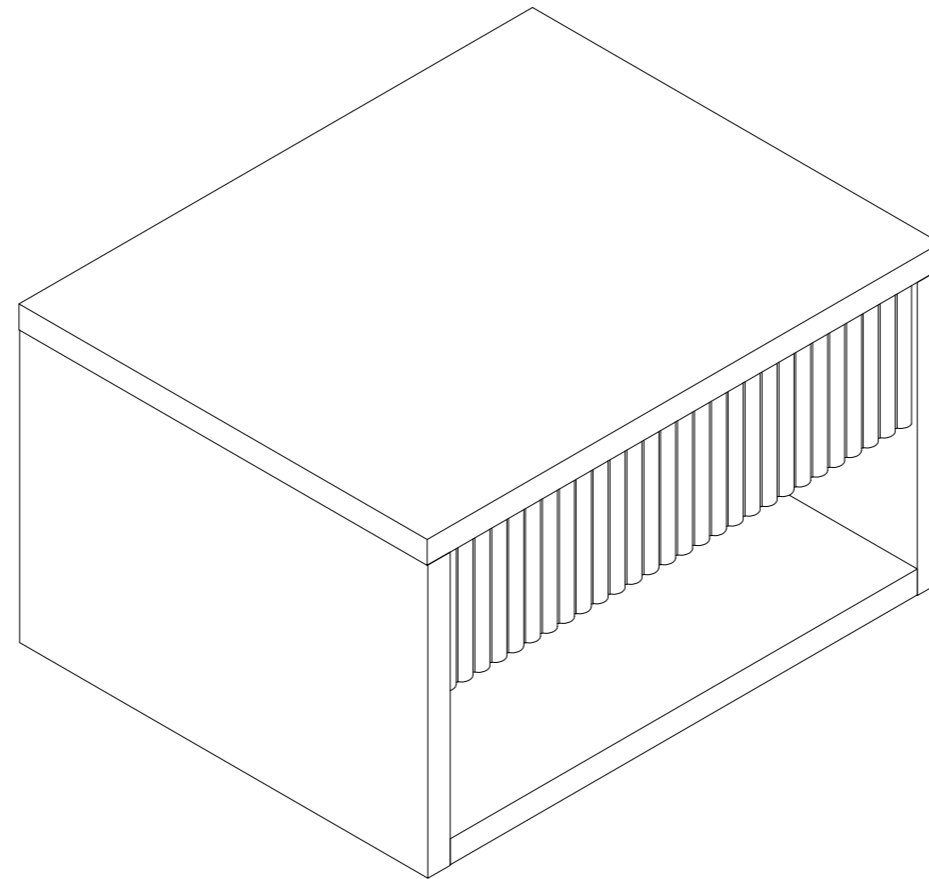


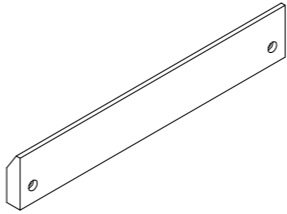
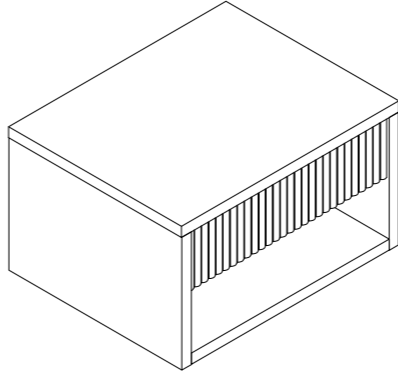
Installation & Assembly

Product Dimension: 12.5"D x 15.75"W x 9"H

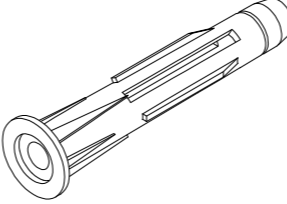
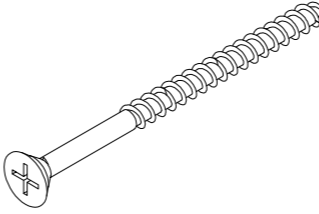
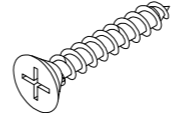
Weight Capacity : 30 Lbs



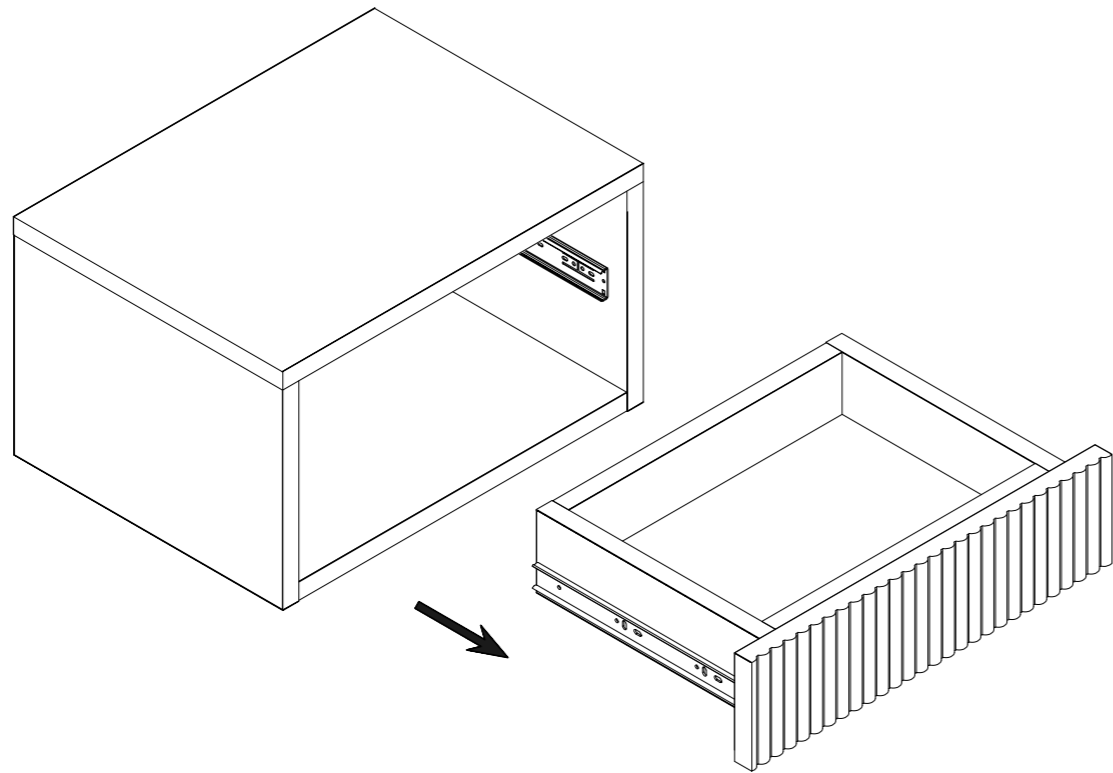
Part List

PIECE	DESCRIPTION	PICTURE	QUANTITY
A	French Cleat Wall		1x
B	Cabinet		1x

Hardware List

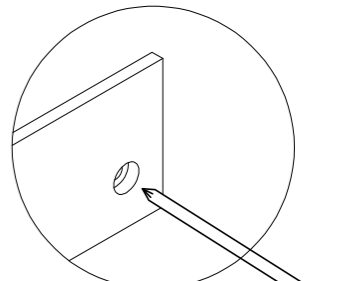
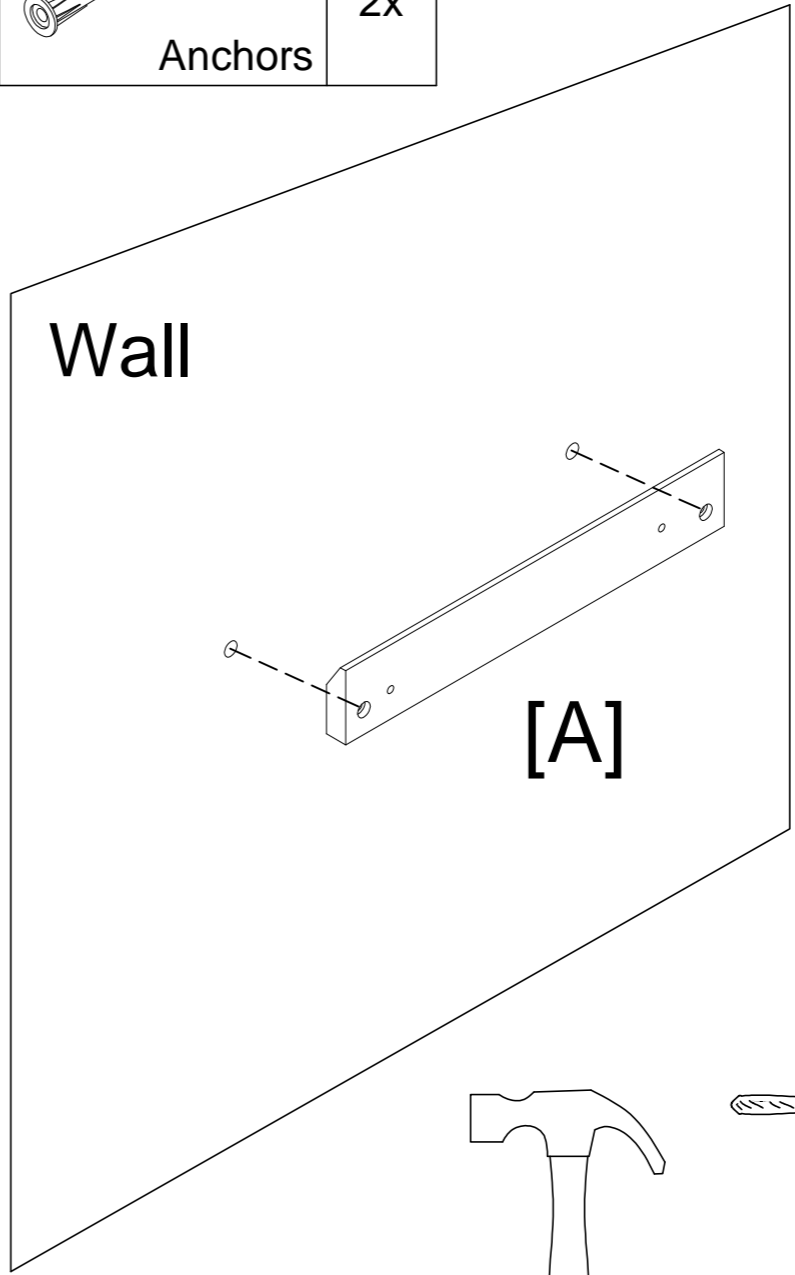
PIECE	DESCRIPTION	PICTURE	QUANTITY
1	Anchors		2x
2	Screw M6x70		2x
3	Screw M4x25		2x

1

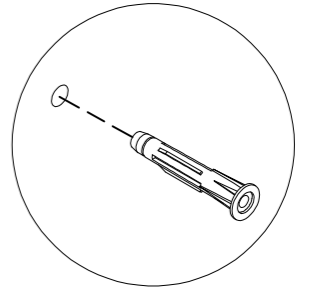


2

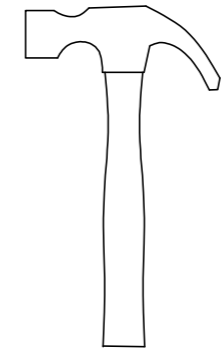
1		2x
	Anchors	



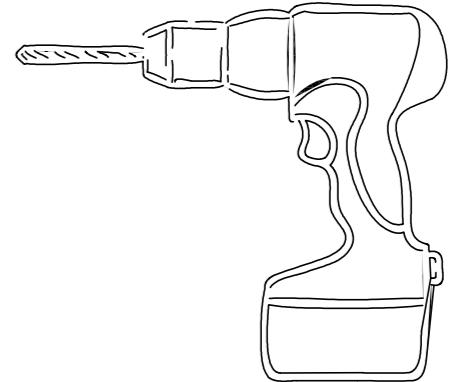
Mark where holes need to be drilled




Tap the wall anchors into place in the new holes that you just drilled.



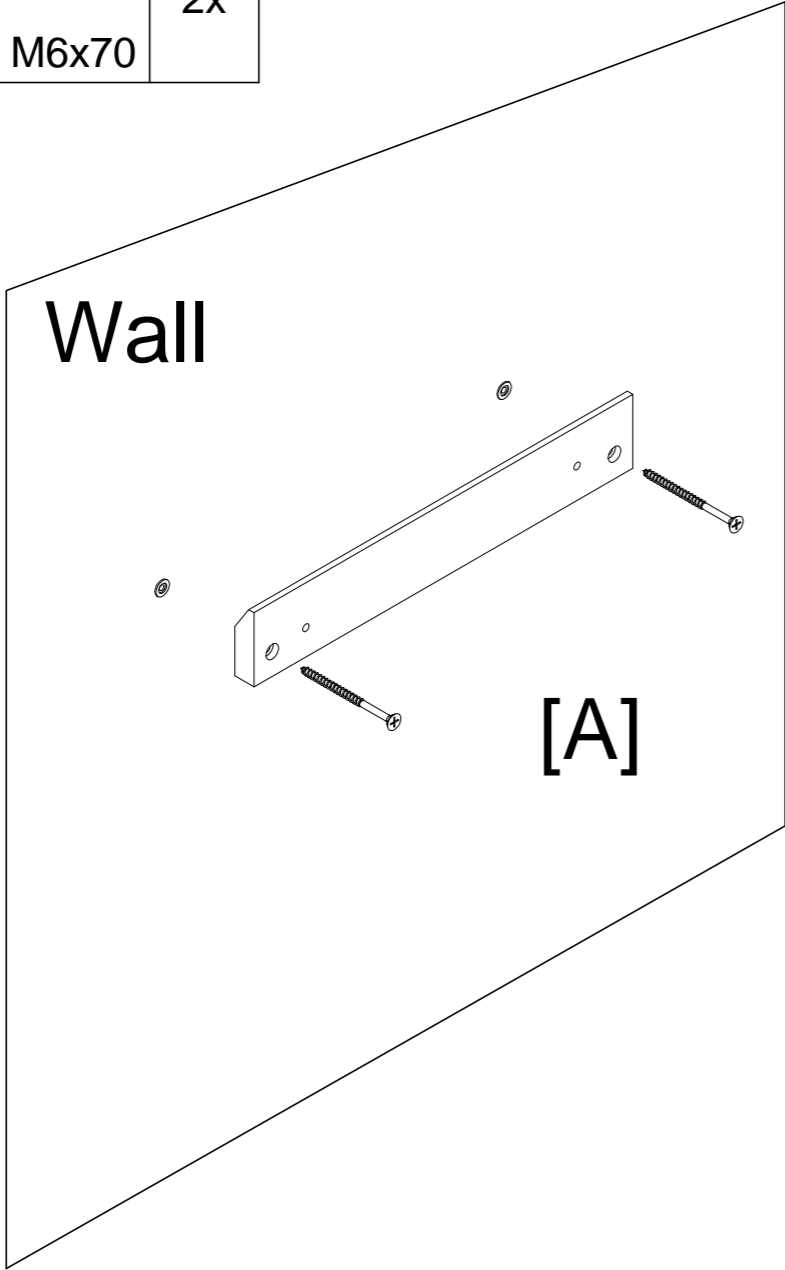
Hammer



Drill Machine

3		
2	 Screw M6x70	2x

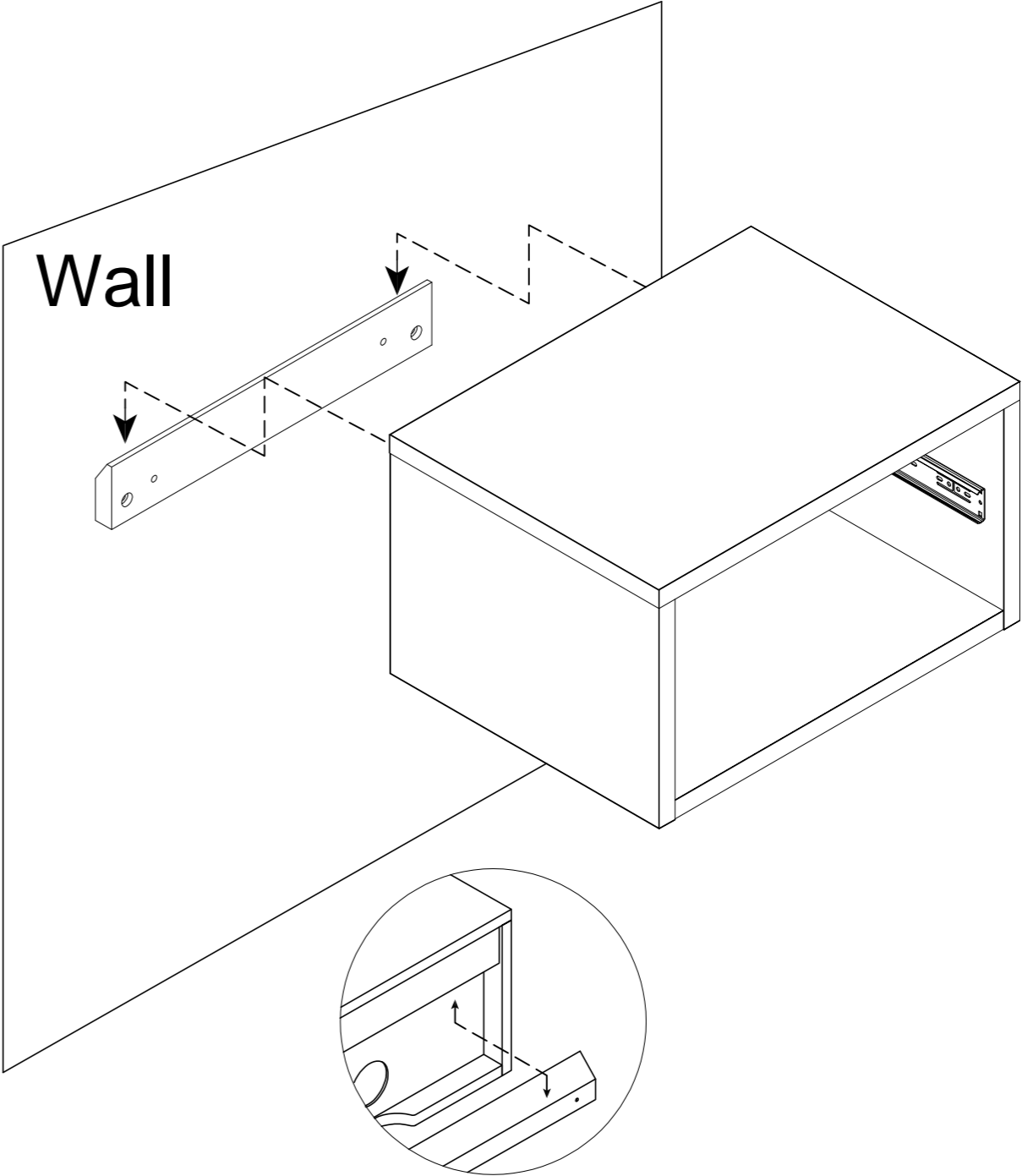
Wall



[A]

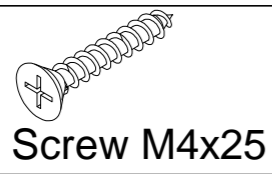
4

Wall



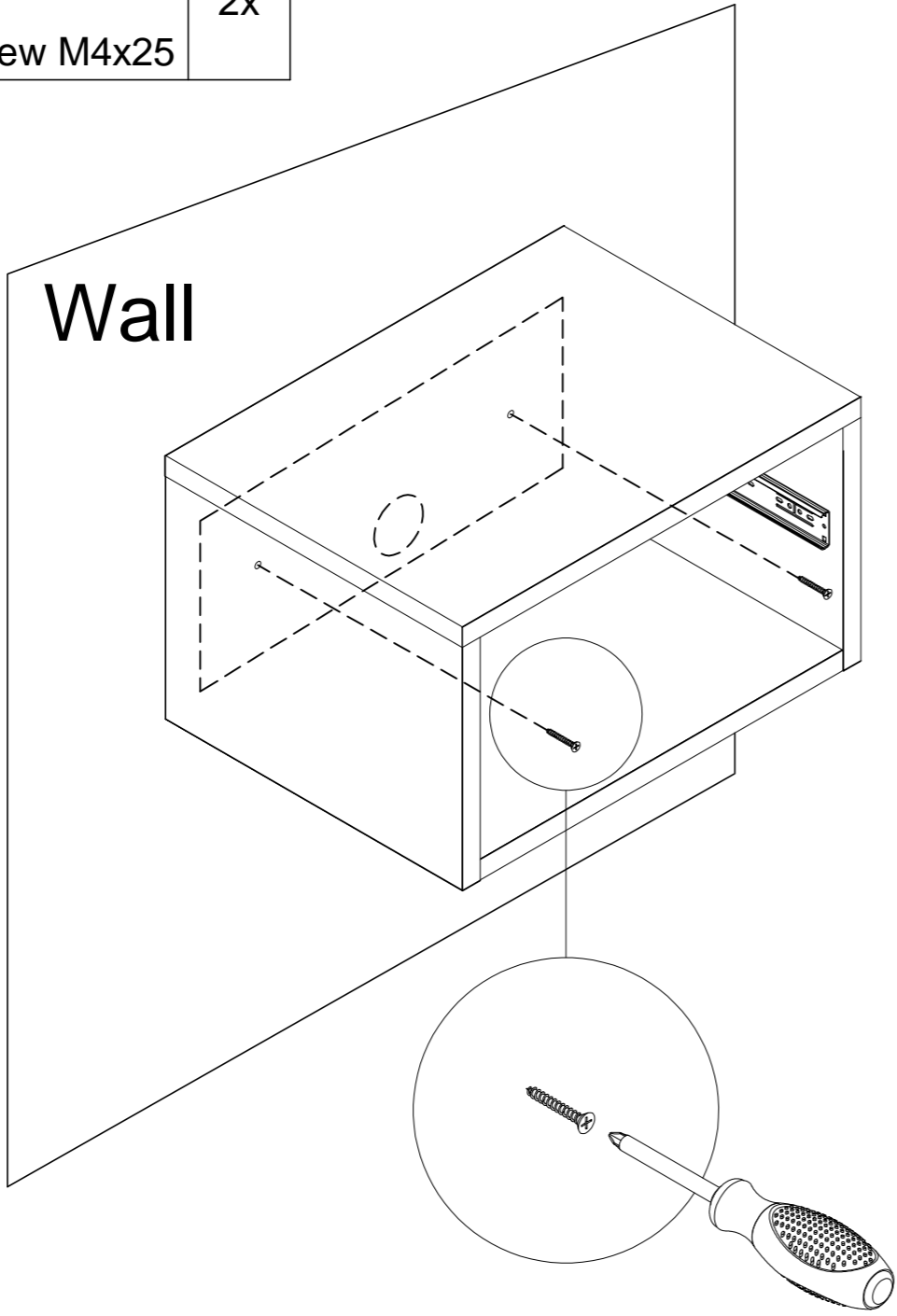
5

3



2x

Wall



6

