

ASSEMBLY INSTRUCTIONS



Fine Furniture for every stage of life

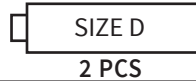
Grandfather Clock

Your clock is fitted with a Westminster Chiming movement. This has an automatic night silence function that silences the Chimes between 10.00 P.M. and 5.00 A.M.(last strike 9:00PM, first strike 6:00AM).

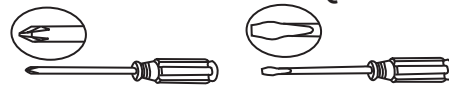
Before the clock leaves the factory, the clock has been set at 5:55AM.

Please make sure you have 2 x D Alkaline batteries, as these are not included. You will also need a screwdriver.

ALKALINE BATTERIES REQUIRED



ASSEMBLY TOOLS REQUIRED



ASSEMBLY TIPS:

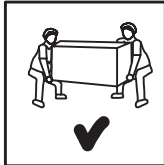
1. Remove hardware from box and sort by size.
2. Please check to see that all hardware and parts are present prior to start of assembly.
3. Please follow attached instructions in the same sequence as numbered to assure fast & easy assembly.

Warning!



1. Don't attempt to repair or modify parts that are broken or defective. Please contact the store immediately.
2. This product is for home use only and not intended for commercial establishments.

CAUTION: PRODUCT IS FRAGILE. TO AVOID BREAKAGE AND POSSIBLE INJURY HANDLE WITH CARE!



ASSEMBLY TIME PER UNIT: 20 MINUTES BY 2 PERSONS

PARTS IDENTIFICATION

	PART NAME	FIGURE	QTY		PART NAME	FIGURE	QTY
A	TOP UNIT		1PC	E	BACK PANEL		1PC
B	FRONT DOOR		1PC	F	BASE UNIT		1PC
C	LEFT SIDE PANEL		1PC	G	DECORATION CHAINS		4PCS
D	RIGHT SIDE PANEL		1PC	H	PENDULUM		1PC
				I	DECORATION WEIGHTS		2PCS

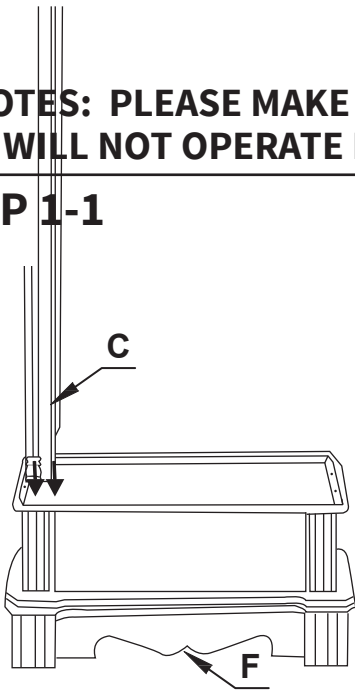
Z

HARDWARE IDENTIFICATION

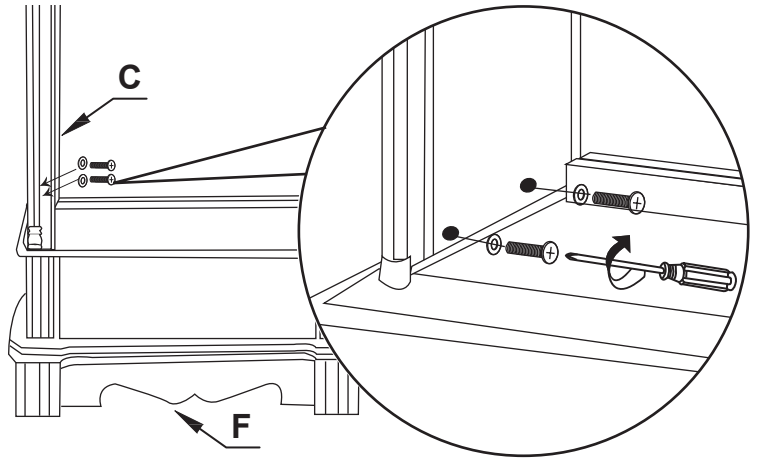
	DESCRIPTION	FIGURE	QTY		DESCRIPTION	FIGURE	QTY
1	BOLT ϕ 8*40mm		8PCS	4	LONG SCREW		1PC
2	FIXING BARS		2PCS	5	SHORT SCREW		1PC
3	CABLE TIE		1PC	6	PLASTIC ANCHOR		1PC

NOTES: PLEASE MAKE SURE CLOCK IS IN LEVEL POSITION, OTHERWISE IT WILL NOT OPERATE PROPERLY.

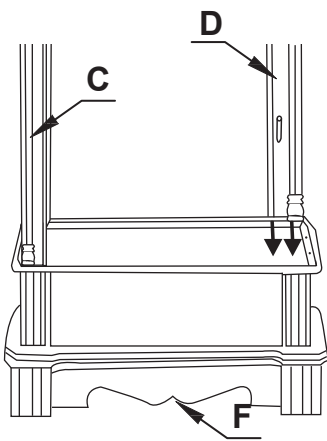
STEP 1-1



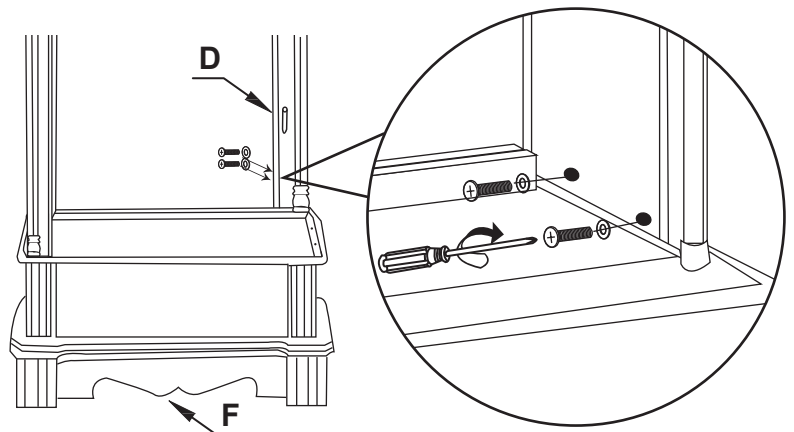
STEP 1-2



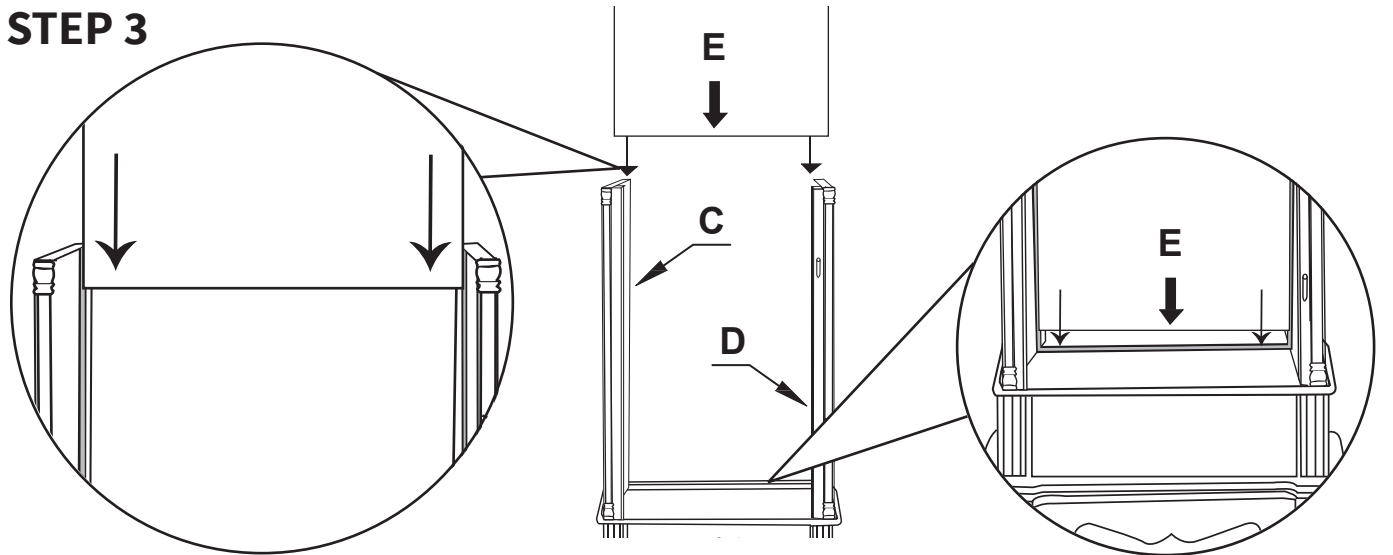
STEP 2-1



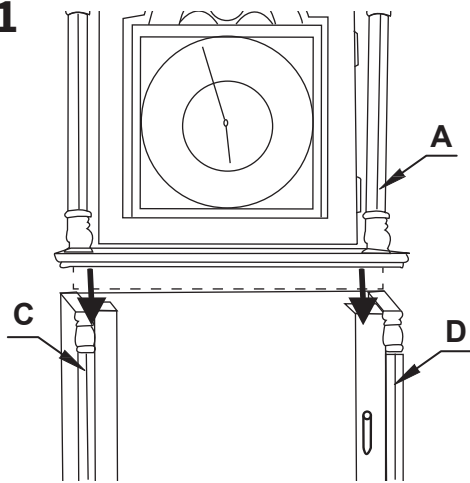
STEP 2-2



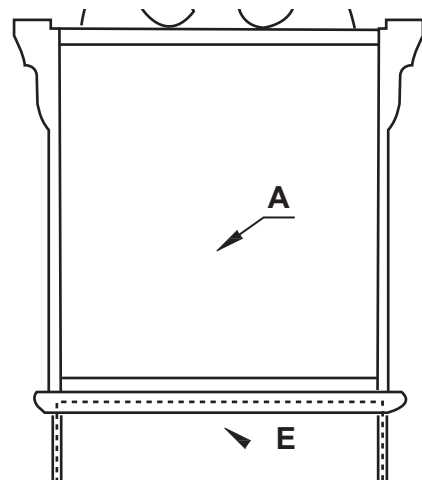
STEP 3



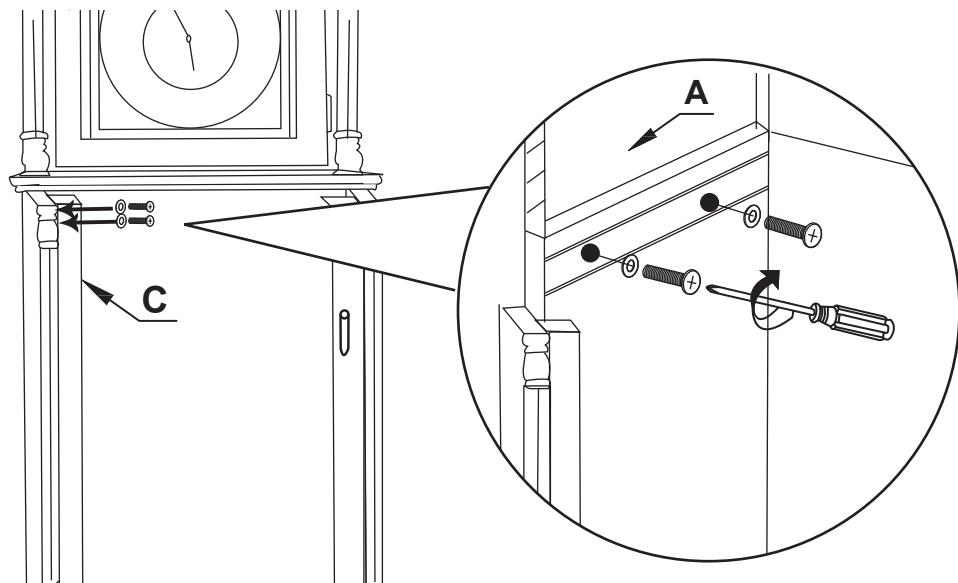
STEP 4-1



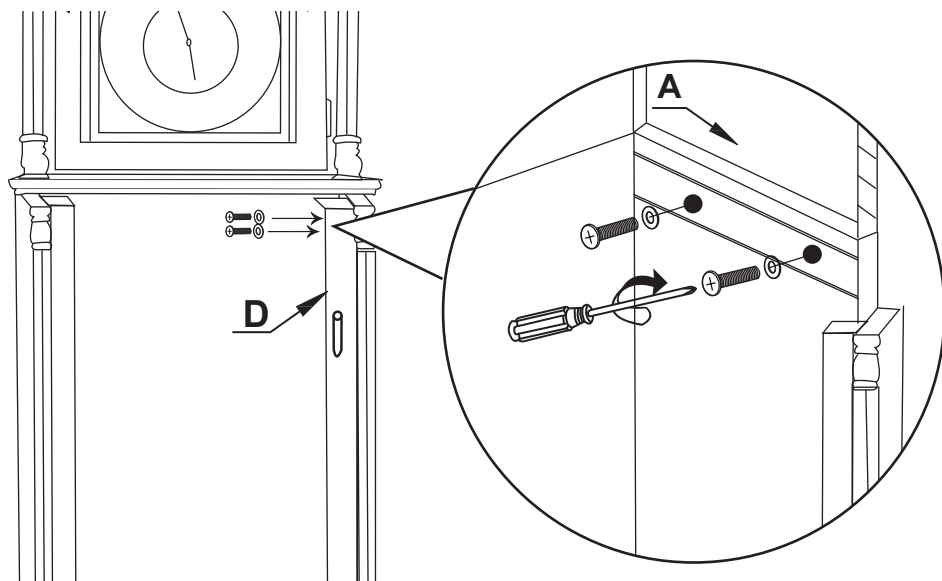
STEP 4-2



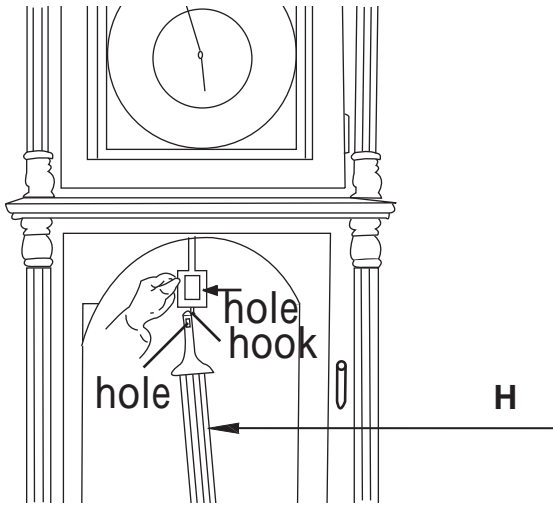
STEP 5



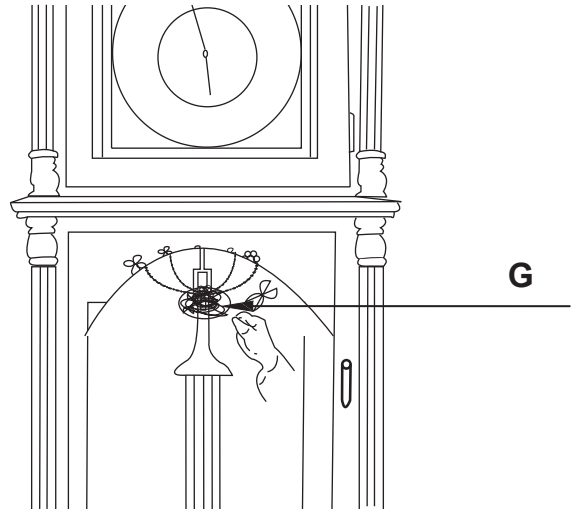
STEP 6



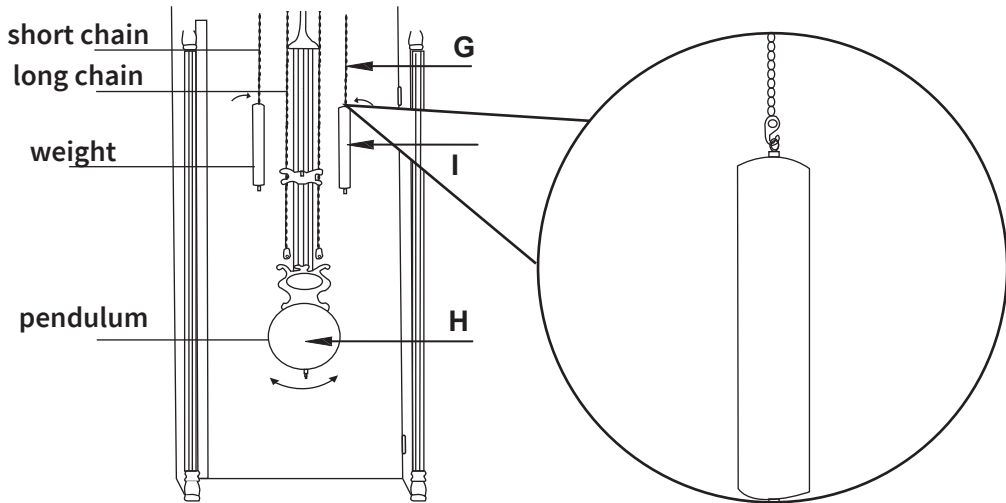
STEP 7-1



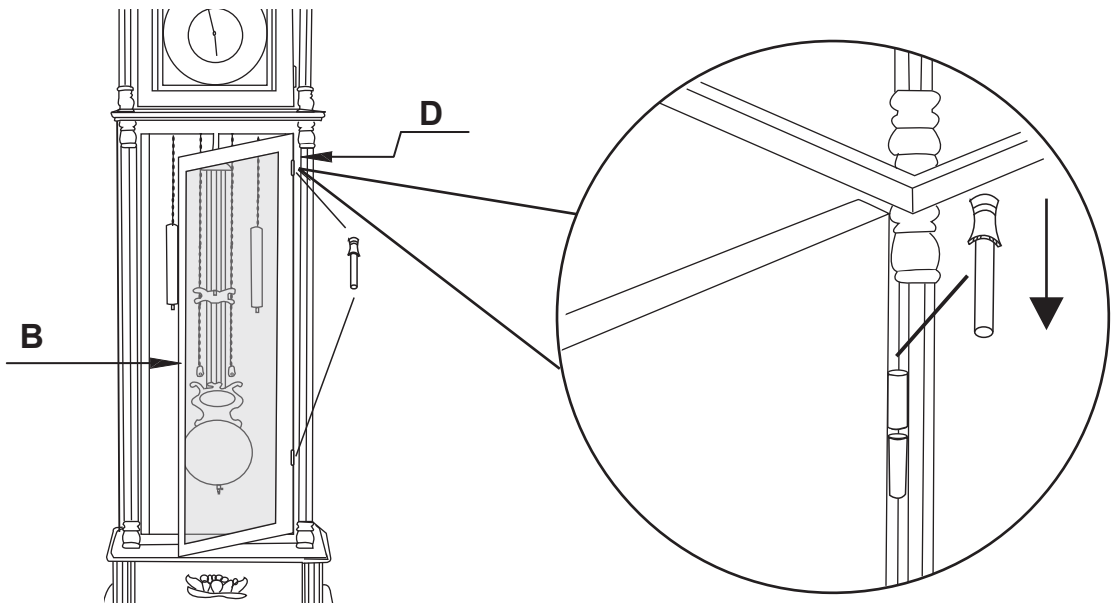
STEP 7-2



STEP 8



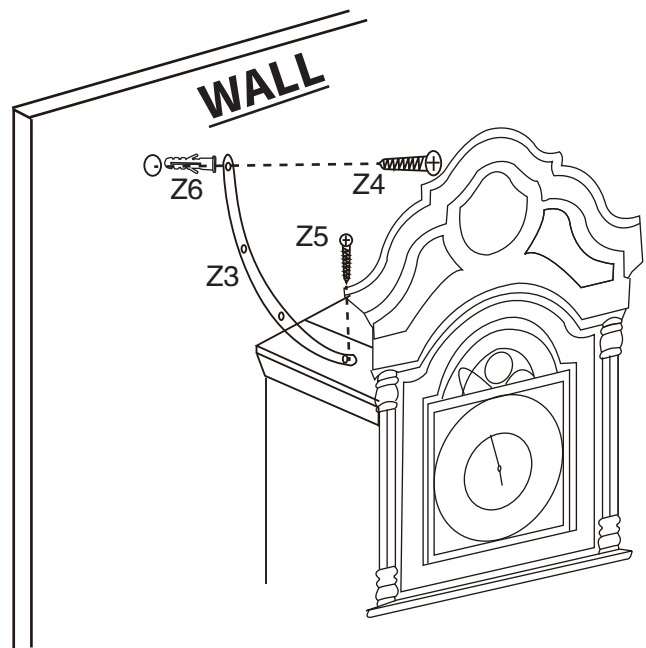
STEP 9



STEP 10

ATTENTION: ANTI TIPPING SAFEGUARD

BACK OF THE CLOCK



FURNITURE TIPPING RESTRAINT

WARNING

Injury may result from tipping furniture.

This restraint is not a substitute for proper adult supervision.

This restraint may provide protection against tipping furniture.

Do not allow children to climb on furniture.

Failure to detach this restraint before moving furniture may result in injury and damage.

1. To attach the anti-tip cable tie (No.Z3) securely mount one end to the top of the case piece with the short screw. (No.Z5)
2. Position the case piece against the wall in the desired location.
3. Pull the anti-tip cable tie (No.Z3) taut and mark the position of where you will secure the other end on the wall.
4. Drill a 1/4" hole in the spot you marked from any one of remaining 3 holes in the anti-tip cable tie (No.Z3) you desired.
5. Tap in plastic wall plug. (No.Z6)
6. Fasten anti- tip cable tie (No.Z3) with longer screw (No.Z4) provided.



Operating the clocks as following pictures.

***DON'T PUT BATTERIES INTO THE MOVEMENT BEHIND OF PENDULUM DRIVER.**

1.TO START THE CLOCK

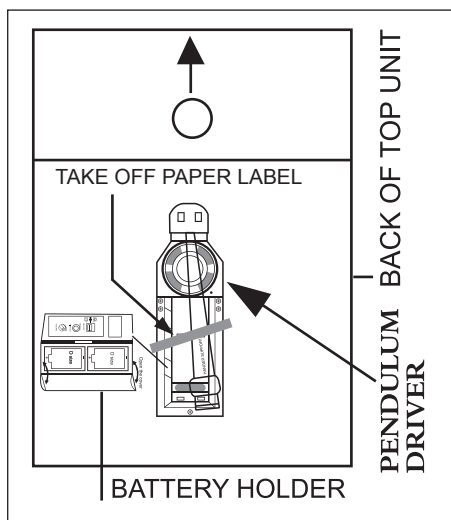
Lift the up-cover from the back of the top unit(A), you will find a battery holder. Open the battery cover, insert 2 new 1.5 volt "D" alkaline batteries into the Battery Holder and making sure the battery is as indicated(picture 1). Push the bob of pendulum(H) leftwards to let the clock run(picture 3).

2.TO SET TIME: Turn the minute hand(Longer hand)clock wise tenderly until the desired time is obtained on the dial. Do not push too hard or turn the hand counter clockwise (never turn the short hand), otherwise it will cause damage of movement(picture 4).

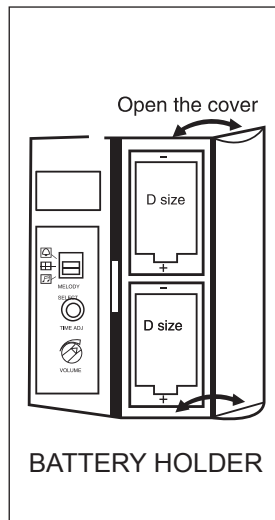
3. TO ADJUST MELODY SELECTION: The button in position(☐): this selection will only have the striking sound every hour. The button in position(☒): this selection will have both the striking sound and Westminster chime every hour. The button in position(☑): this selection will only have the Westminster chime every hour. The clock will not sound from 10:00 pm to 5:00 am(picture 2).

4.TO ADJUST TIME: Press the "time adj" button for adding the time of striking. For example, if the clock counts 2 times at 4 o'clock, please press button two times then it gives corrected strike(picture 2).

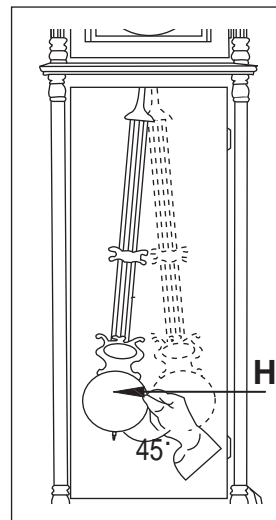
5. TO ADJUST VOLUME CONTROL: To turn button rightward or leftward to obtain the desired sound(picture 2).



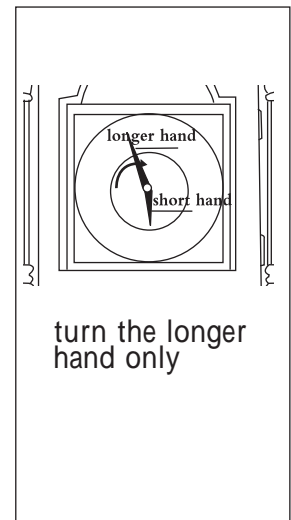
picture 1



picture 2



picture 3



picture 4

CAUTION

Do not mix Old and New batteries. Do not mix Alkaline, and Standard(Carbon - Zinc) or Rechargeable(Nickel - Cadmium) batteries.

TROUBLESHOOTING

Here are a few symptoms that are associated with 'Defective Batteries' or 'Incorrect Installation' and do not indicate that the clock itself is defective:

Problem

Your clock strikes six(6) times on every hour.

Solution

Change the chime section batteries, and set time and chime again by following "SETTING TIME AND CHIME" procedure.

Problem

Your clock starts to chime erratically on every hour.

Solution

Press the "Set" Button of TIME ADJ, the clock will chime, and increase one chime per push, push to the correct chime.

If this method still does not solve the problem, replace the chime battery, and set time and chime again by following the "SETTING TIME AND CHIME" procedure.

Problem

Your clocks chimes are getting quieter and quieter.

Solution

Change the chiming section batteries and turn the volume down to about half way.

Problem

Your clock does not chime at 10 pm.

Solution

Your clock has an Automatic night mute with the last strike at 9pm and the first strike at 6am.

Problem

Can I change when the night mute starts and stops?

Solution

No, this function is not available.

Problem

You clock does not chime during the day.

Solution

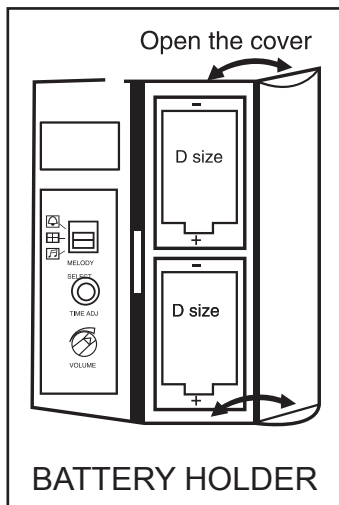
Reset the clock according to the "SETTING TIME AND CHIME" procedure.

Regarding the timekeeping and pendulum troubleshooting methods:

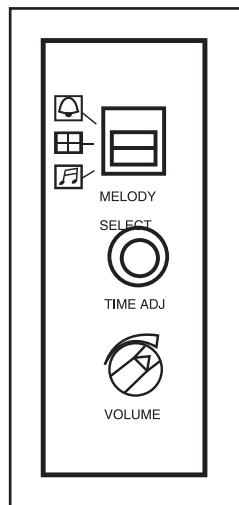
- The time cannot be adjusted by adjusting the hour hand (short hand), please turn the minute hand (long hand) clockwise.

(Note: Turn the minute hand counterclockwise, and cannot go past the 12 o'clock position, otherwise it will damage the timekeeping contacts of the movement, resulting in failures such as no timekeeping or no music.)

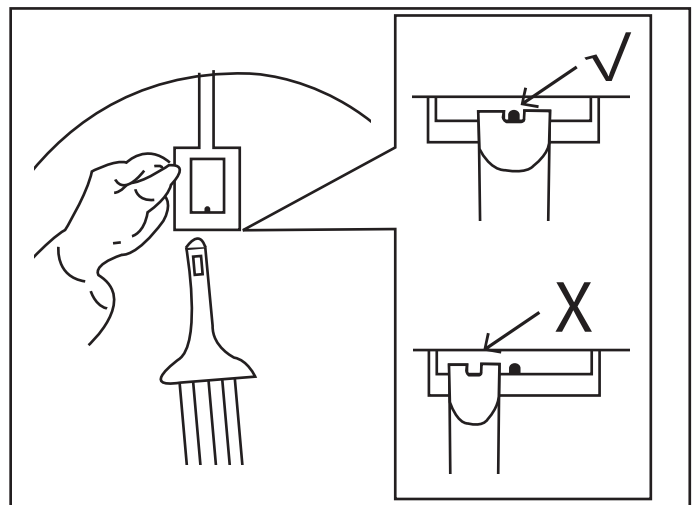
- Before the clock leaves the factory, the clock hands have been set at 5:55AM. If the clock display is not this time, please turn the minute hand clockwise to adjust to 5:55AM, and then insert the battery.
- The first chime is set to 6:00 AM. The chime will stop automatically from 10:00 PM to 5:00 AM. (The night stop function is programmed before leaving the factory. The user cannot change it)
- Once the battery is removed, the movement will be automatically initialized. After reloading, the time will be reported again from 6:00 in the morning.



(Figure 1)



(Figure 2)



(Figure 3)

1. Solution for not reporting the time with chime:
 - a. Rotate the volume button (Figure 2 VOLUME) to the maximum position.
 - b. Check whether the positive and negative positions of the battery are correct (Figure 1). If it is inaccurate, please reinstall it according to the icon.
 - c. If the positive and negative poles of the battery are correct and the problem is still not resolved, adjust the time to 5:55 clockwise using the minute hand, remove the battery, wait for a while, and place it again. Then adjust the minute hand to 6:00 to tell the time and music.
 - d. Or use the TIME ADJ button on the battery box (Figure 2) to solve problem (c.) above, each time you press, no more than 8 times, you can hear the time and music. The time signaling this time is 6:00 AM. Then use the minute hand to adjust the hour hand clockwise to the actual local time.
2. When there is no music when telling the time, push the sliding button of MELODY SELECT (Figure 2) to the middle position(田).
3. If there is music without telling the time, push the sliding button of MELODY SELECT (Figure 2) to the middle position(田).
4. The time telling time is inconsistent with the displayed time. It can be adjusted by the TIME ADJ button (Figure 2) on the battery box. Each time you press it, an hour will be added, and so on. Note that the TIME ADJ key is after 12 o'clock, and it is 1:00 when you press it again.
5. The hourly timekeeping time is inconsistent with the displayed time. Please set the clock to 5:55 without placing the battery. After placing the battery, manually or automatically go to 6:00, and the clock will show time as 6:00 AM.
6. The time is not reported at 10 o'clock during the day, but reported 10 o'clock at night. The main reason is that the clock defaults to night as day. You can press the TIME ADJ (Figure 2) button on the battery box for 12 times to change the time to day or night time.
7. When the product leaves the factory, the hour hand is set at 5:55. When disassembling the protective tape on the movement, you must be careful to avoid touching the pointer and each line to prevent the clock hand from shifting and the line loose.
8. The solution for the clock not reporting the time on the hour, explain the cause of the accident. (Note: Do not manually turn the minute hand clockwise too fast. Turn lightly; do not turn for less than 15 seconds. Otherwise, at least the above problems will occur.)
 - Solution 1: Pull out the second cap manually when you hear the time report, then pull out the minute hand in the same way and reinstall it to the 12 o'clock position, and then manually rotate the minute hand clockwise to the 12 position to confirm whether

the hour is signaled, otherwise , repeat the same procedure again. It can be repeated several times to achieve the best results. Finally put back the seconds cap.

(Note: Keep the two clock hands in parallel position, and they cannot touch each other, neither can touch the face of the clock, nor touch the glass of the front clock)

- Solution 2: Set the time to the time when you hear the time signal, immediately remove the battery, remove the second cap, remove the minute hand, and re-set the minute hand to the 12 o'clock position, and set the clock to 5:55. position, replace the battery. Automatically or manually dial to 6:00, the hour hand tells the time for 6:00AM. Then manually adjust to the actual local time, and then install the seconds cap.

9.If the battery is insufficient, please replace the battery in time.

(Note: If the positive and negative poles of any battery are reversed, they must be removed first and then installed again. All are taken down to initialize the clock. Then install it correctly. It is not possible to mix an old battery with a new battery, let alone replace it with another type of battery. Be sure to use a large battery of the same model size D. A bad battery can also cause the clock to work infrequently.)

10.Possible conditions of the clock caused by insufficient battery power: Inaccurate time reporting, random time reporting, always reporting one time. Or the volume of timekeeping and music is getting weaker and weaker. If the battery is low, it will leak, and corrode the metal circuit and cause the clock to malfunction. Even damage the battery box. If any of the above problems are found, replace the battery in time.

11.If the clock does not report time suddenly, the swing range of the rocker is small or does not swing, the general situation is that the battery power is insufficient, or the connection line between the rocker and the battery box is poor, and you need to reinsert it and confirm whether it is secure.

12.How to tell the time, the volume is normal, the swing range of the pendulum is unstable, or it shakes, etc. In addition to the battery power attenuation, it is usually caused by the hook of the pendulum not hanging to the middle position of the beam of the pendulum rod. In the middle position (Figure 3), and make sure that the pendulum head and the clock body are parallel. Don't deviate, twist, etc.

13.You need to manually push the pendulum head to the left or right, so that the pendulum head does not touch the inner wall of the clock case. The pendulum will automatically swing right and left normally.

