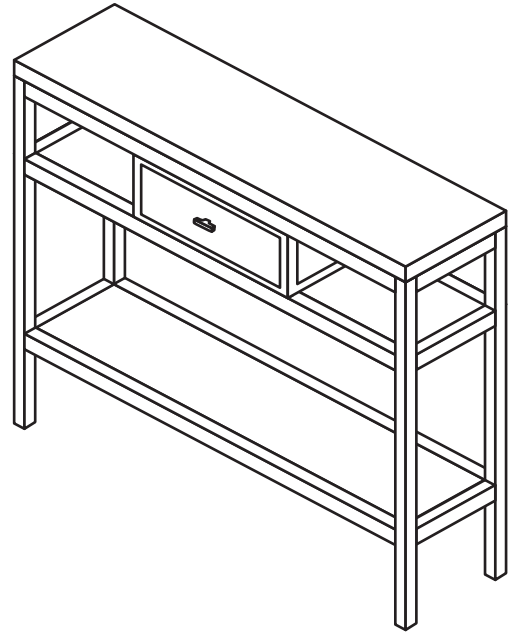


Sofa Console Table

Congratulations on the purchase of your Sofa Console Table. It has been crafted to the highest standards of quality and safety and will give you many years of enjoyment and practical use.

Since this is a natural wood product, there will be variations in color and grain and minor checking may occur. This is normal and does not compromise the integrity of your dresser. In fact, variation in character of solid hardwood is integral to the beauty and appeal of hardwood furniture and distinguishes it from prefabricated, synthetic and composite materials.

If you need assistance with assembly, part replacement or any other matter, please contact the toll-free Customer Service Team. You may also email your request or comments and a customer service representative will respond.



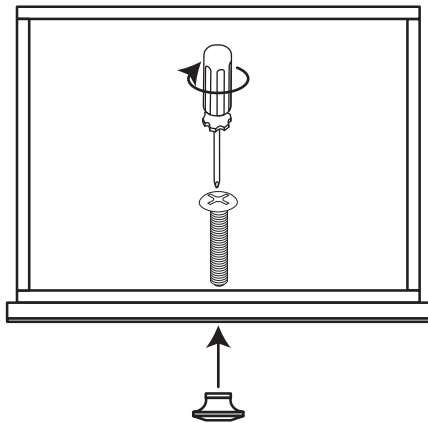
Thank you and Enjoy

HARDWARE & PART LIST

- 1 **Wooden handle**
Used to attach drawer



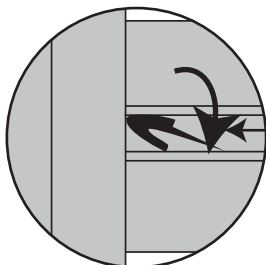
- 1 **Wood screw**
Used to attach drawer handle



Using a Phillips head screwdriver, remove the handle screw and install the handle on the front of the drawer. Do not turn the handle to tighten or loosen the screw. Doing so will cause the handle to scratch the front of the door.

If you find you need to remove the drawer, fully extend the drawer, push and hold track tabs in their proper positions as shown below. Then you can remove the drawer.

LEFT SIDE HOLD DOWN



RIGHT SIDE HOLD UP

