

ASSEMBLY & INSTALLATION INSTRUCTIONS

Please read carefully and save these instructions, as you may need them at a later date.

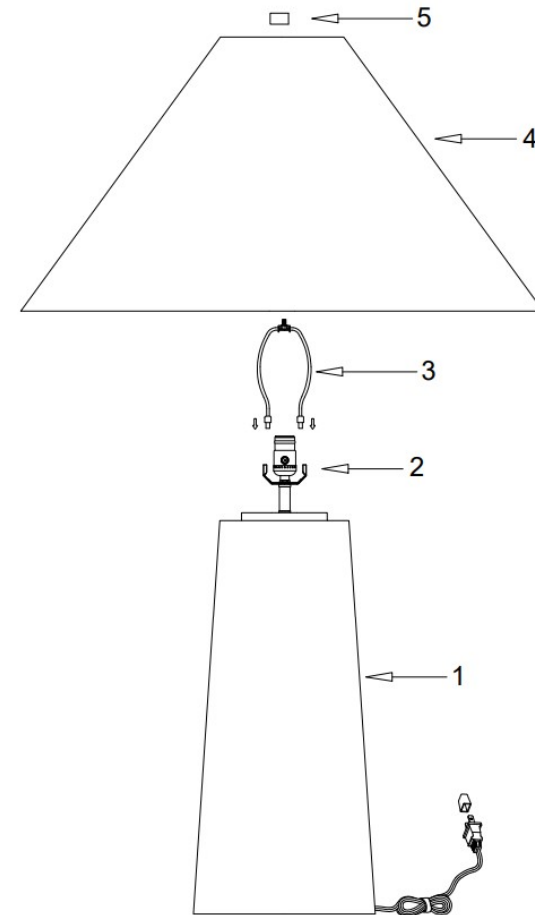
IMPORTANT SAFETY INSTRUCTIONS: This product has a polarized plug (one blade is wider than the other) as a feature to reduce the risk of electric shock. This plug will fit in a polarized outlet only one way. If the plug does not fit fully in the outlet, reverse the plug. If it still does not fit, contact a qualified electrician. Never use with an extension cord unless plug can be fully inserted. Do not alter the plug.

GENERAL

Remove the lamp and from the box and make sure that no parts are missing by referencing the illustrations on the installation instructions.

ASSEMBLY AND INSTALLATION

1. Place HARP(3) onto SADDLE(2).
2. Put SHADE (4) onto HARP (3) and tighten with FINIAL (5).
3. Screw a light bulb into the lamp socket and make sure it does not exceed the maximum wattage specified on the lamp wattage rating label, **MAXIMUM 60 WATT**



1. LAMP BASE
2. NECK&SADDLE
3. HARP
4. SHADE
5. METAL FINIAL