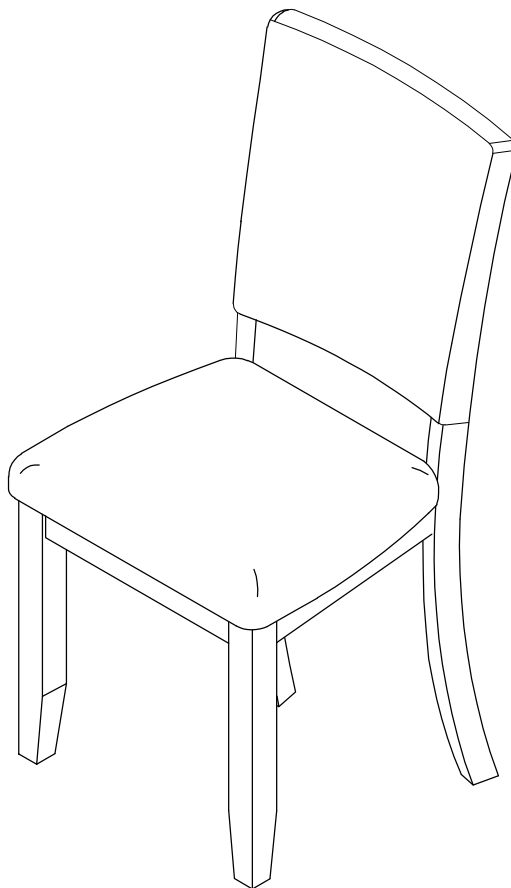


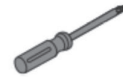
# ASSEMBLY INSTRUCTIONS

MODEL #

**SL3405-SC-4PK**  
**SL3406-SC-4PK**



## TOOLS REQUIRED



Screwdriver  
(Not included)



(Included)

Allen Wrench



2 - People

## ASSEMBLY RATING



EASY → DIFFICULT

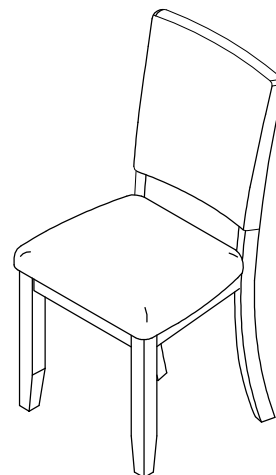
The Assembly Rating is a 5-point system showing the level of effort needed to assemble a specific product.

# SIDA CHAIR

SL3405-SC-4PK / SL3406-SC-4PK

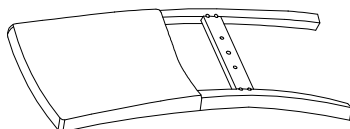


- Please keep instructions for future reference.
- Check the quantity and irregularity of parts and hardware before you start.



## PARTS

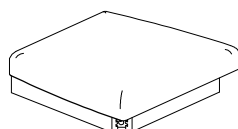
1



**BACK FRAME  
WITH CUSHION**

1 x 4 pcs.

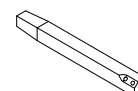
2



**SEAT FRAME  
WITH CUSHION**

1 x 4 pcs.

3

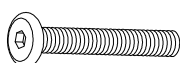


**FRONT LEGS**

2 x 4 pcs.

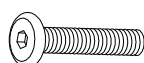
## HARDWARE

A



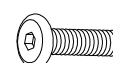
**BOLT**  
Ø1/4" x 3"  
4 x 4 pcs.

B



**BOLT**  
Ø1/4" x 2-1/4"  
4 x 4 pcs.

C



**BOLT**  
Ø1/4" x 1-3/8"  
2 x 4 pcs.

D



**SPRING WASHER**  
Ø1/4"  
10 x 4 pcs.

E



**FLAT WASHER**  
Ø1/4"  
10 x 4 pcs.

F



**ALLEN WRENCH**  
M4  
1 x 4 pcs.

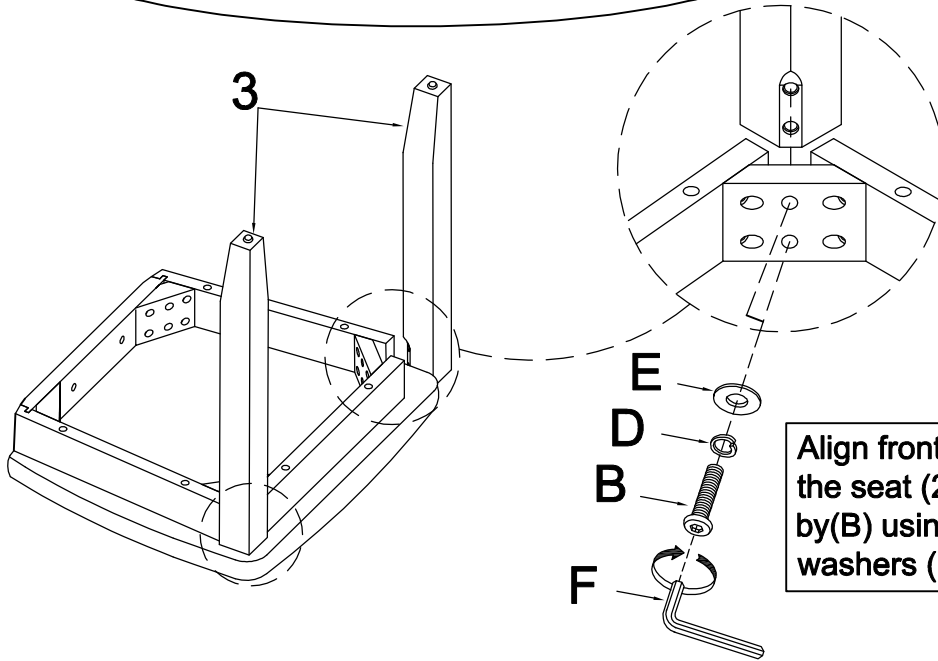
# ASSEMBLY INSTRUCTIONS

## 1

DO NOT FULLY TIGHTEN ALL BOLTS UNTIL ASSEMBLY IS COMPLETED.

Part 3 x2pcs  
Hardware B x4pcs  
Hardware D x4pcs  
Hardware E x4pcs

x4

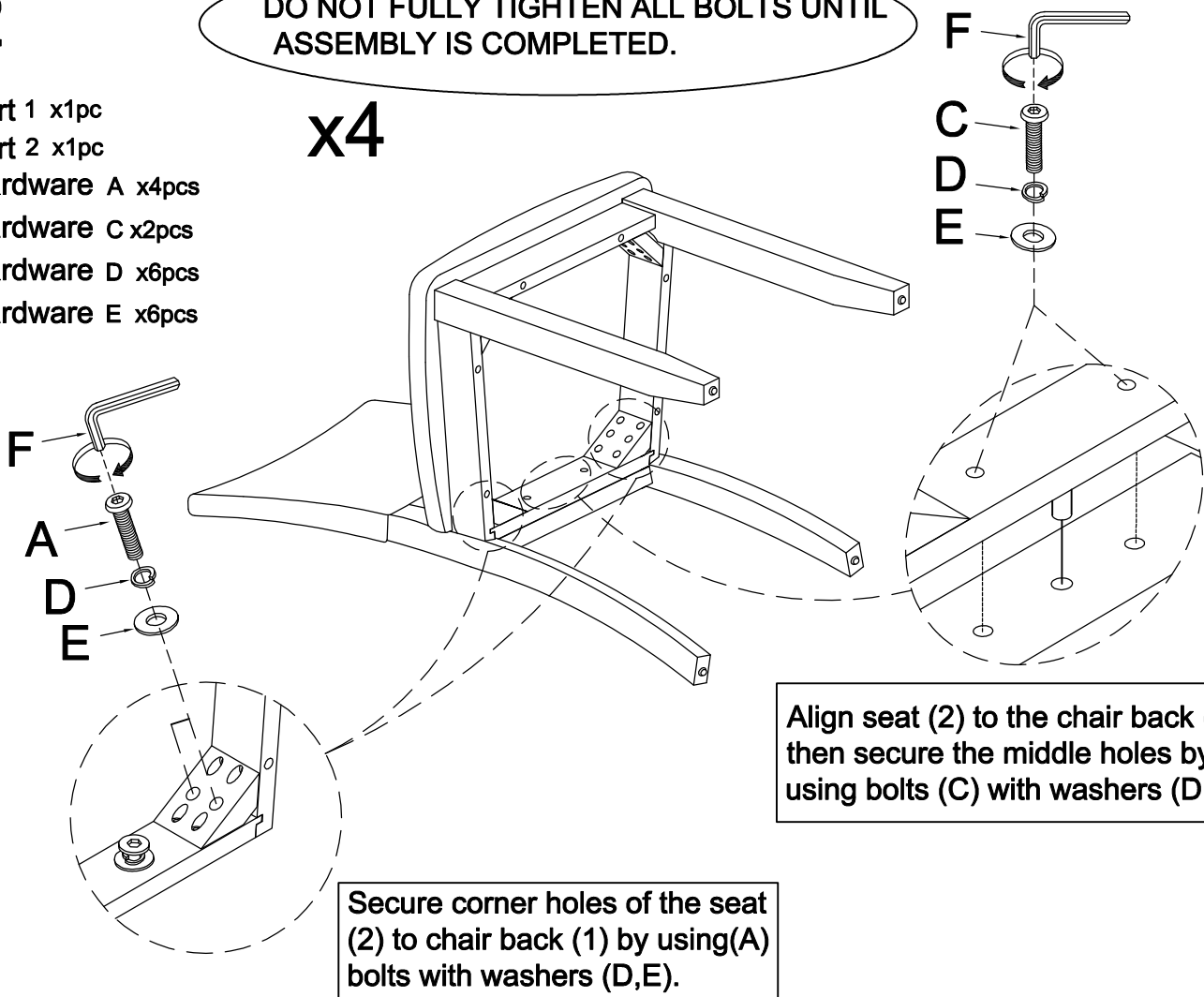


## 2

DO NOT FULLY TIGHTEN ALL BOLTS UNTIL ASSEMBLY IS COMPLETED.

Part 1 x1pc  
Part 2 x1pc  
Hardware A x4pcs  
Hardware C x2pcs  
Hardware D x6pcs  
Hardware E x6pcs

x4

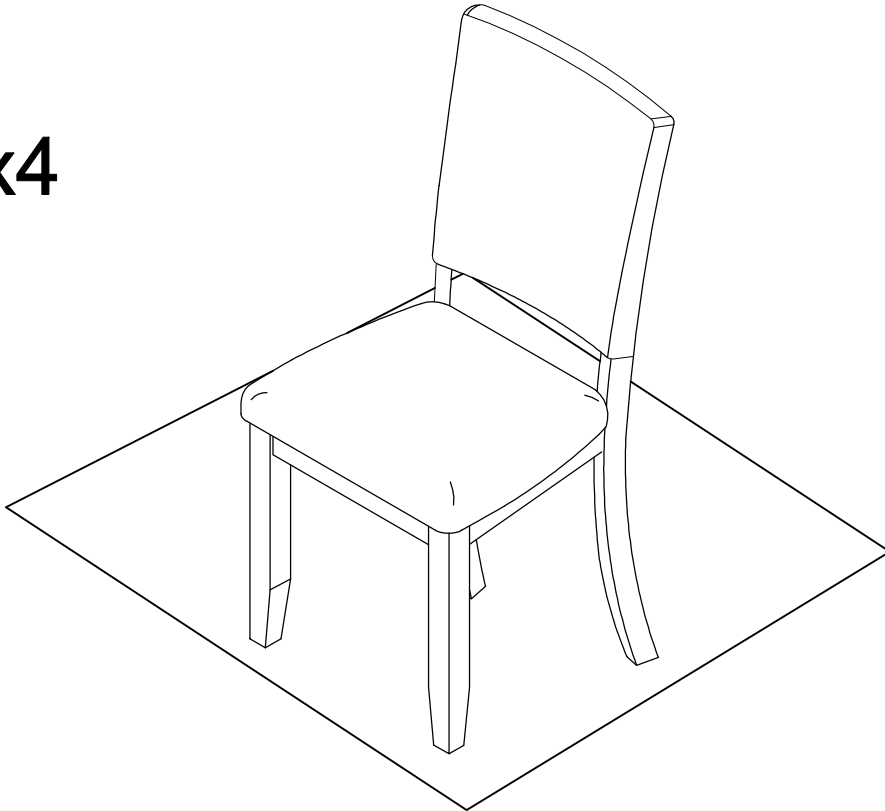


Secure corner holes of the seat (2) to chair back (1) by using (A) bolts with washers (D,E).

# ASSEMBLY INSTRUCTIONS

3

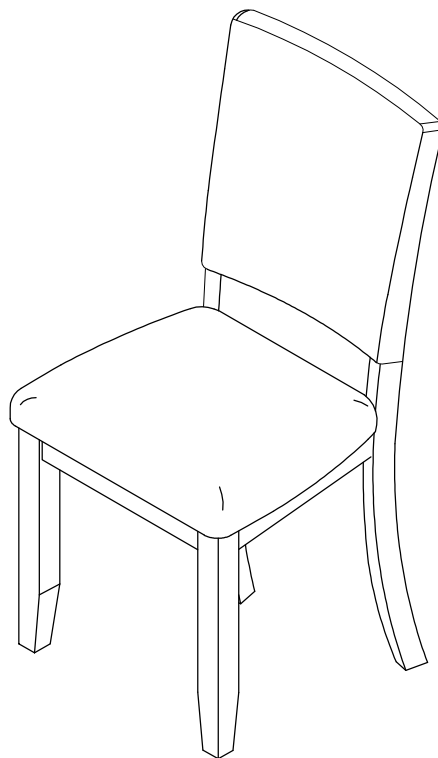
x4



Place the chair on a flat surface, ensure it is stable and not wobbling, and then tighten all screws

4

x4



## ASSEMBLY COMPLETED



Please ensure the furniture rests on an even and flat surface. If the product wobbles or feels loose, double-check all bolts and/or screws are properly tightened and secured.



### Keep this handy!

Please retain this instruction manual and any order-related information for future reference.



### Lift, don't drag!

To avoid damage to product please always LIFT the product when transporting or adjusting the placement.

This product is intended for RESIDENTIAL USE ONLY and not for commercial use.