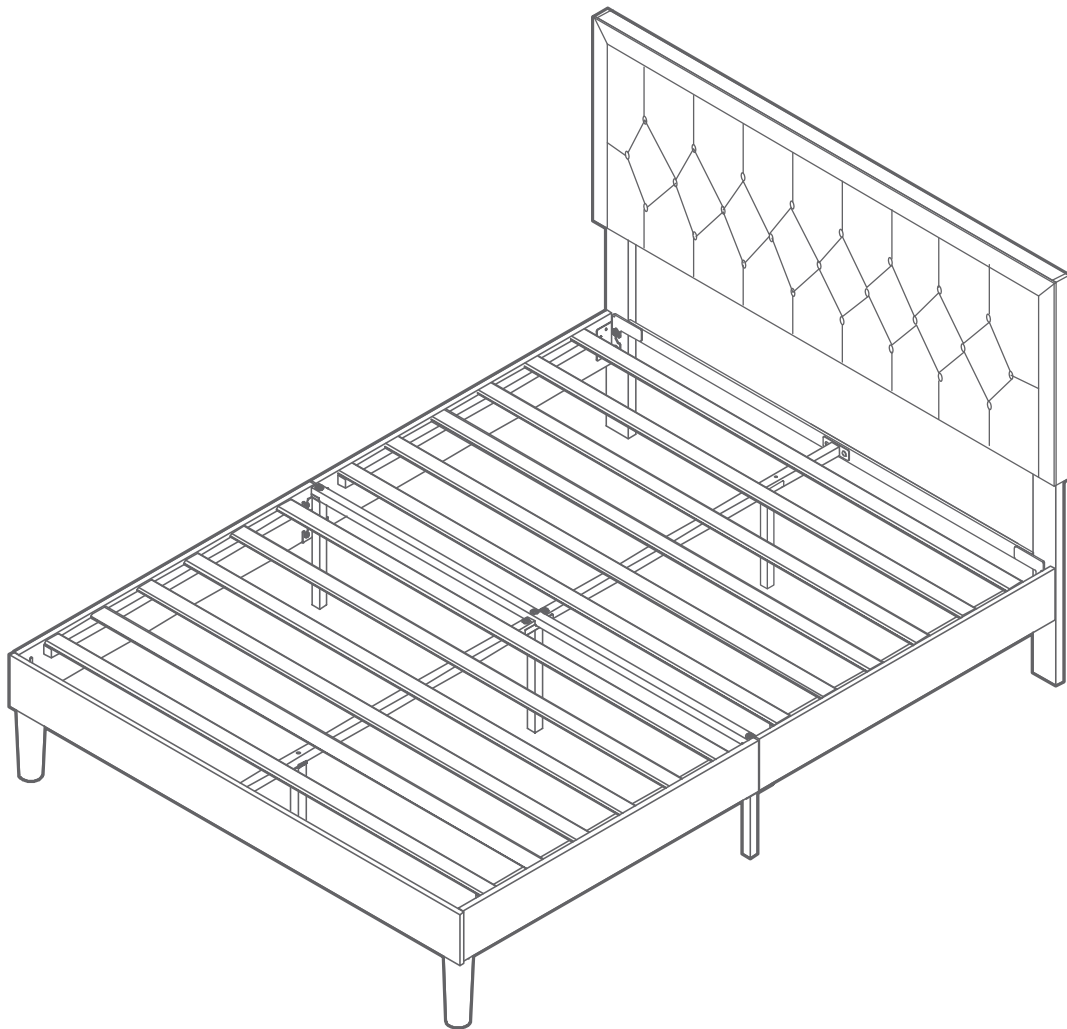


PLATFORM BED XRBCGB003

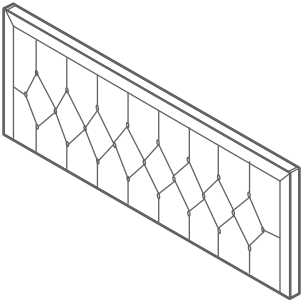
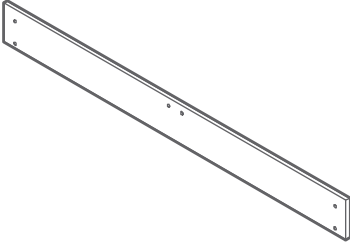
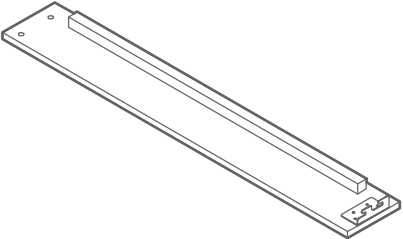
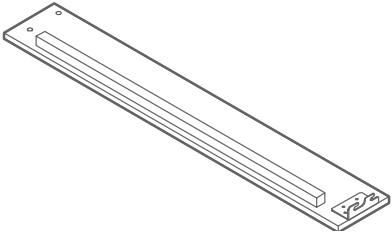
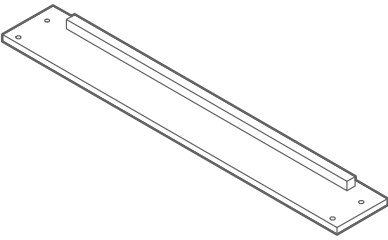
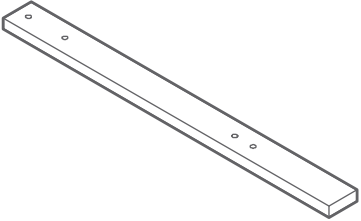
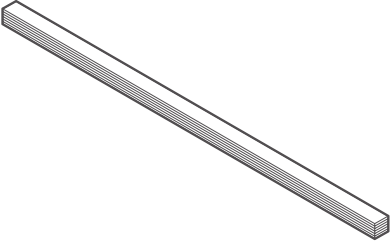
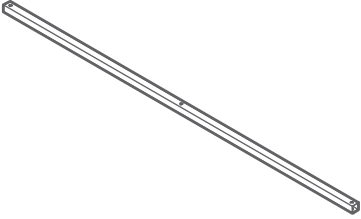
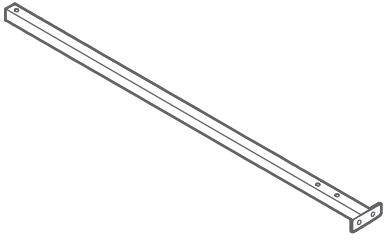
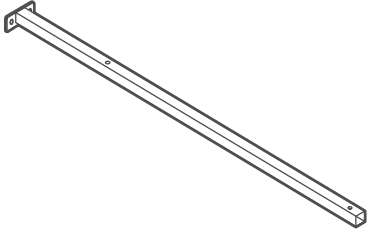


ORIGINAL INSTRUCTION MANUAL

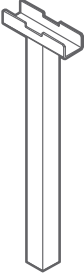
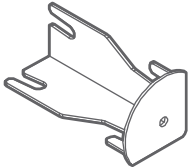

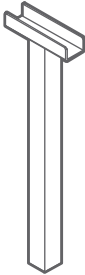
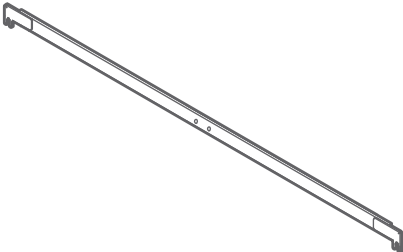
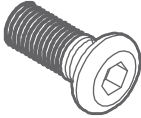

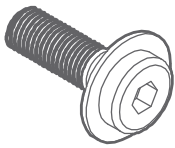
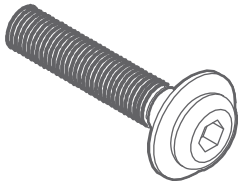
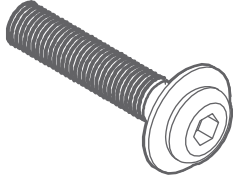
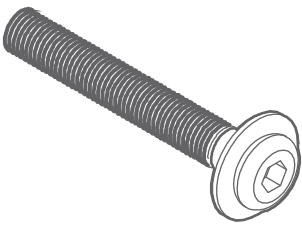



DEAR CUSTOMER,

Thank you for choosing our product. Please read this manual carefully before assembling or using the product, to avoid damage caused by improper use. If the product is passed on to third parties, this manual has to be passed on along with the product. For any question don't hesitate to contact us.

PARTS LIST

A 	1× B 	1× C 
D 	1× C1 	2× A3 
E1 	2× F 	1× G 
G1 	1× H 	2× F1 

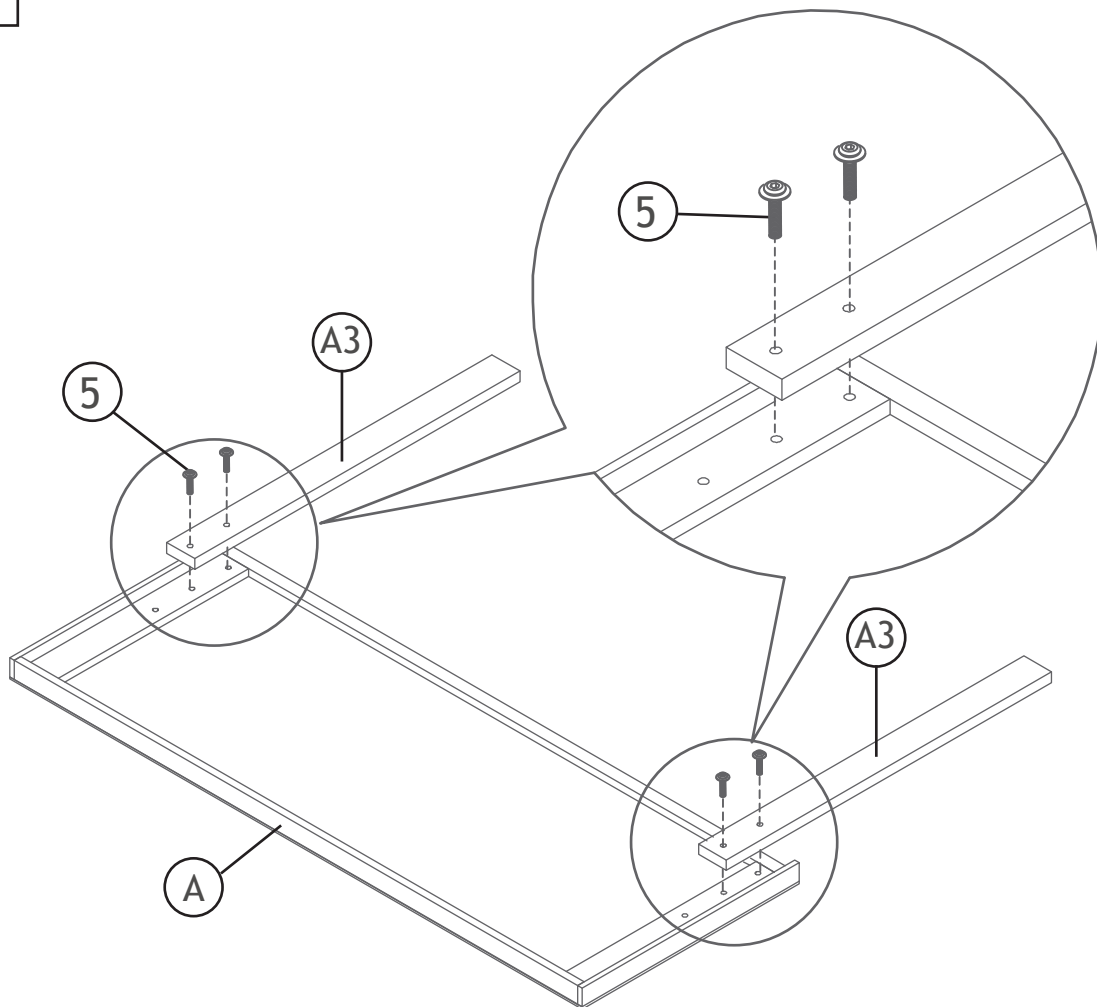
I  1×	K  2×	L  1×
M  1×	N  1×1	 8× M8×18
2  12× M8×18	3  4× M8×25	4  7× M8×35
5  4× M8×45	6  1× M8×50	7  1×

ASSEMBLY

Before your installation, please make sure that you have all the parts listed on the manual. If you find something missing, stop installing and contact your supplier immediately.

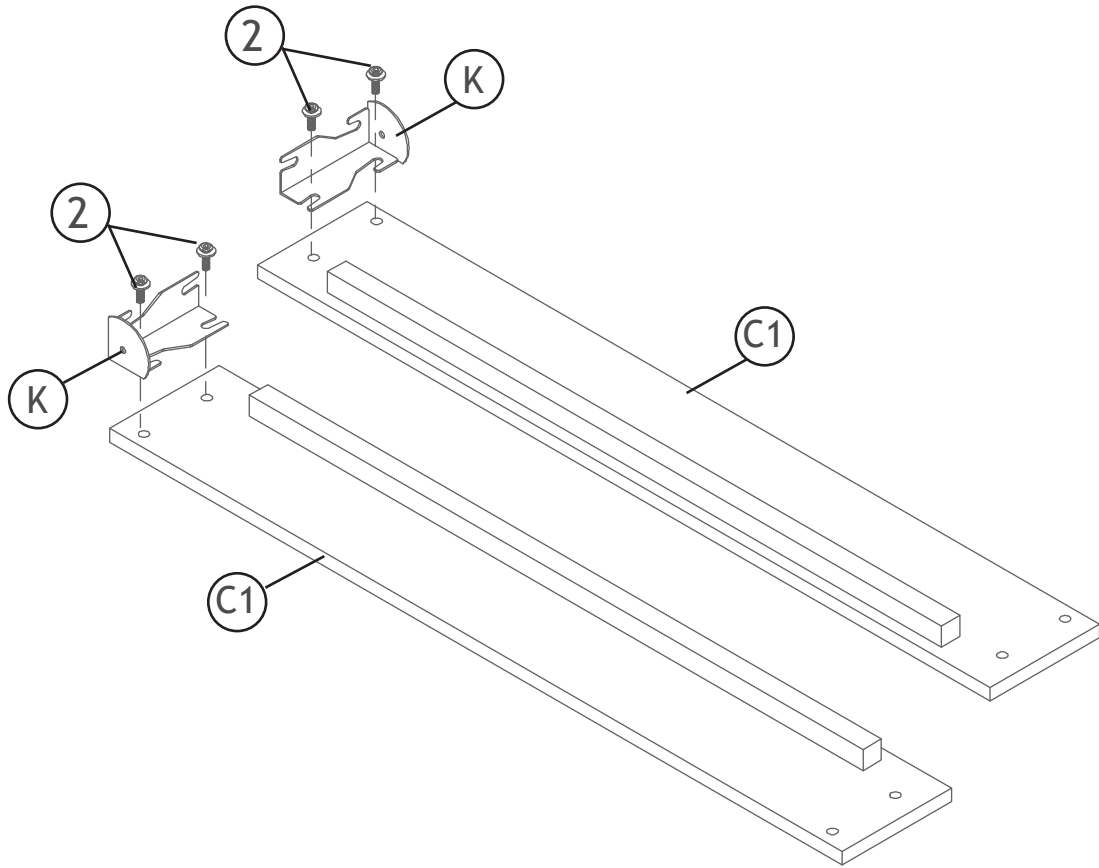
NOTE: Please do not completely tighten all the hardware until the entire assembly is completed!

1

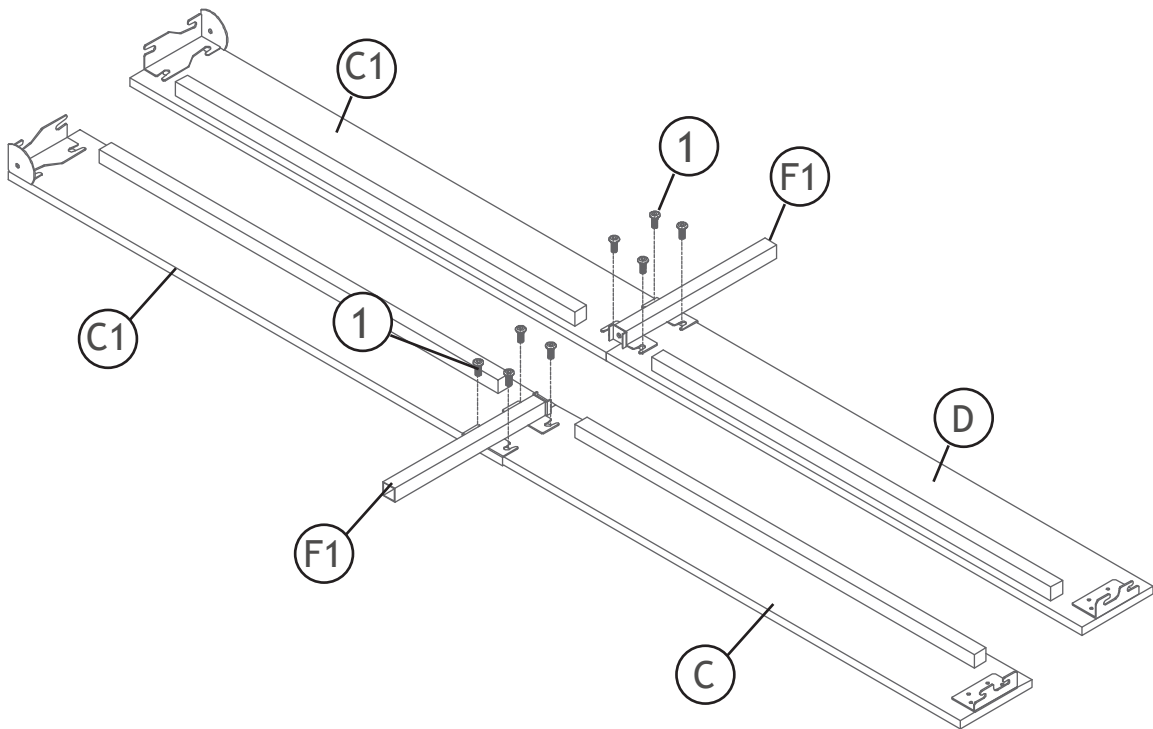


The headboard(A) can be adjusted up and down by fixing the position of screws on the back.

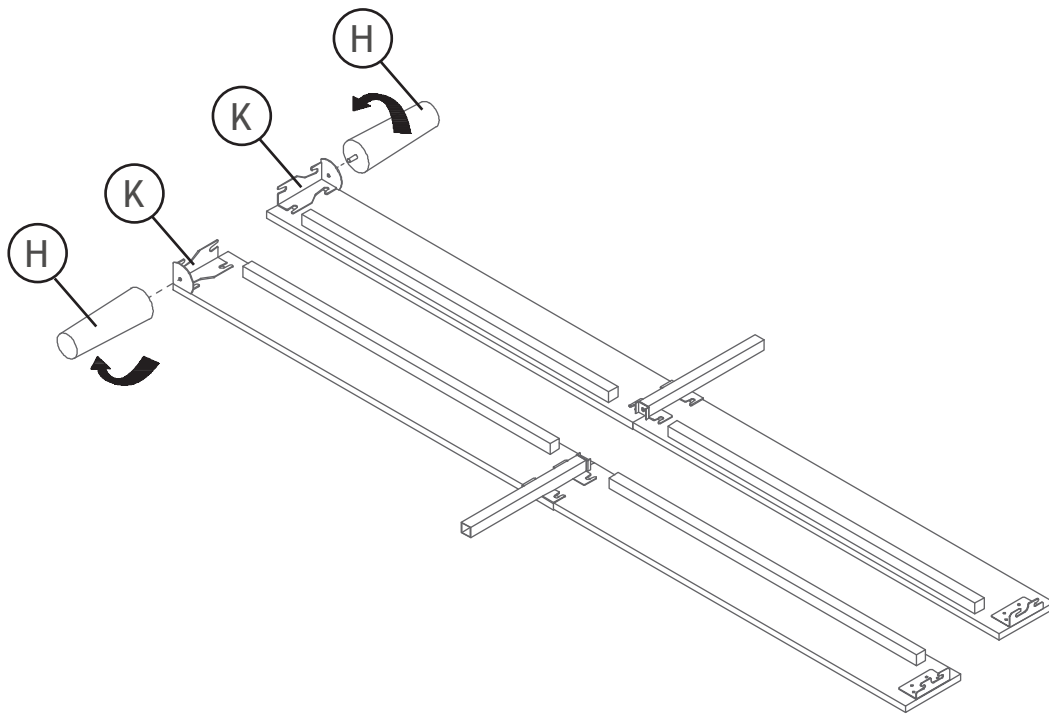
2



3

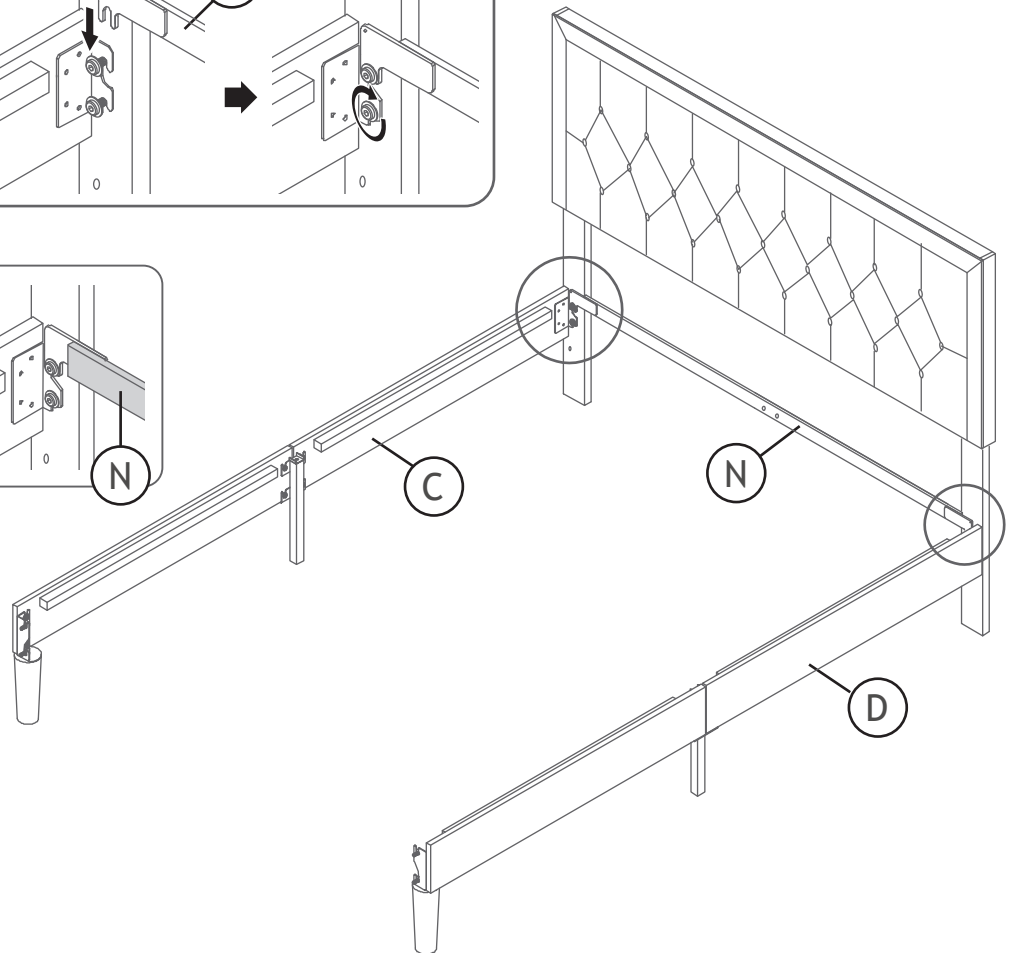
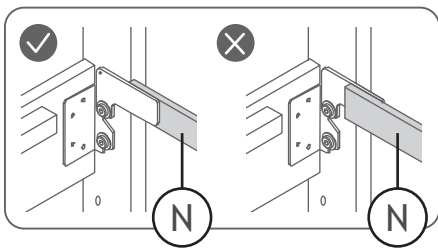
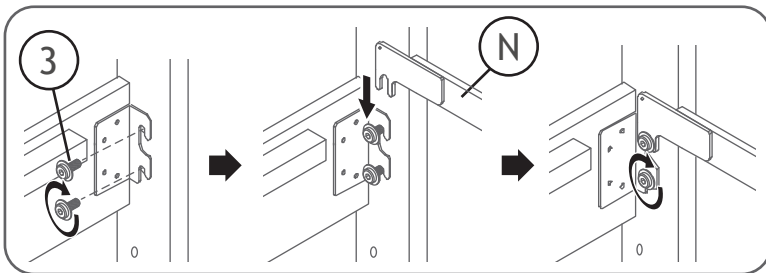


4



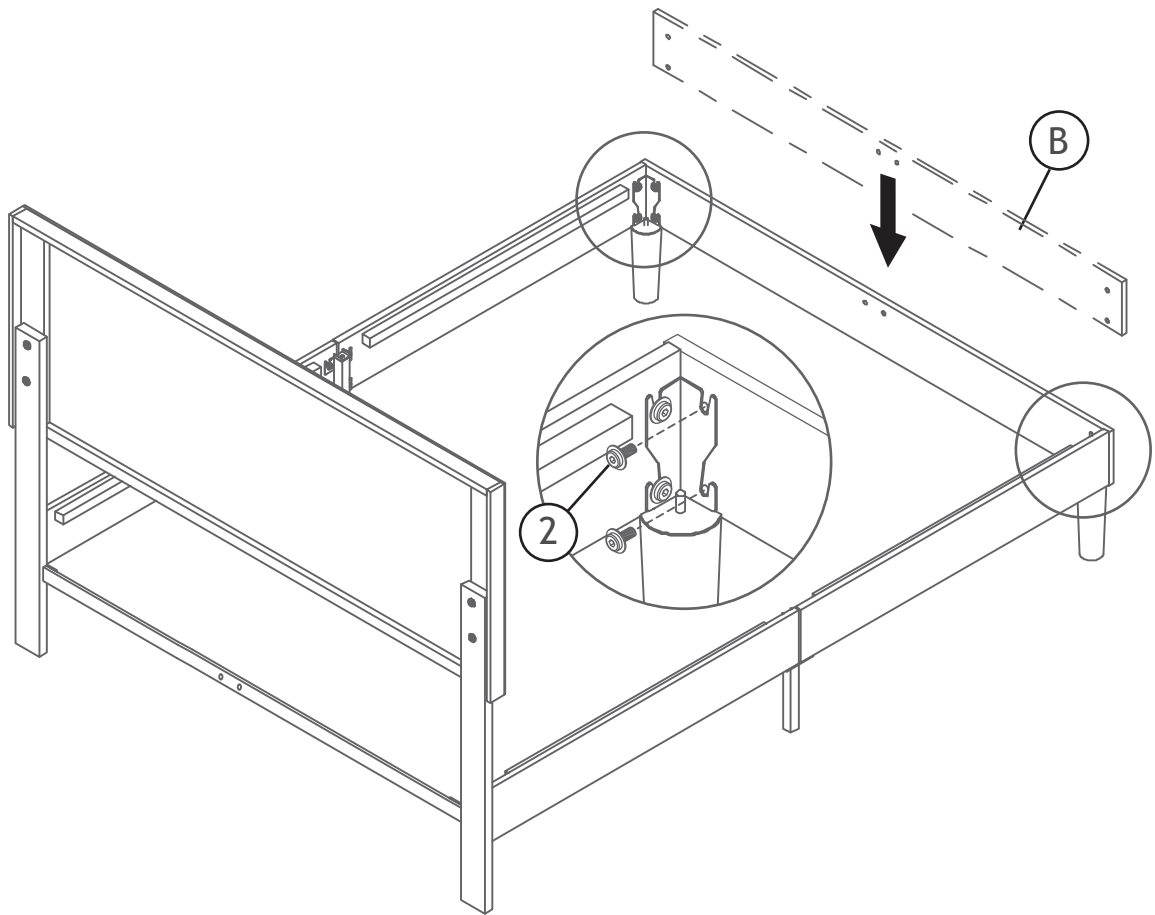
5

Assemble part C and D first (with screws untightened), then assemble part N. Tighten all screws in the last step.

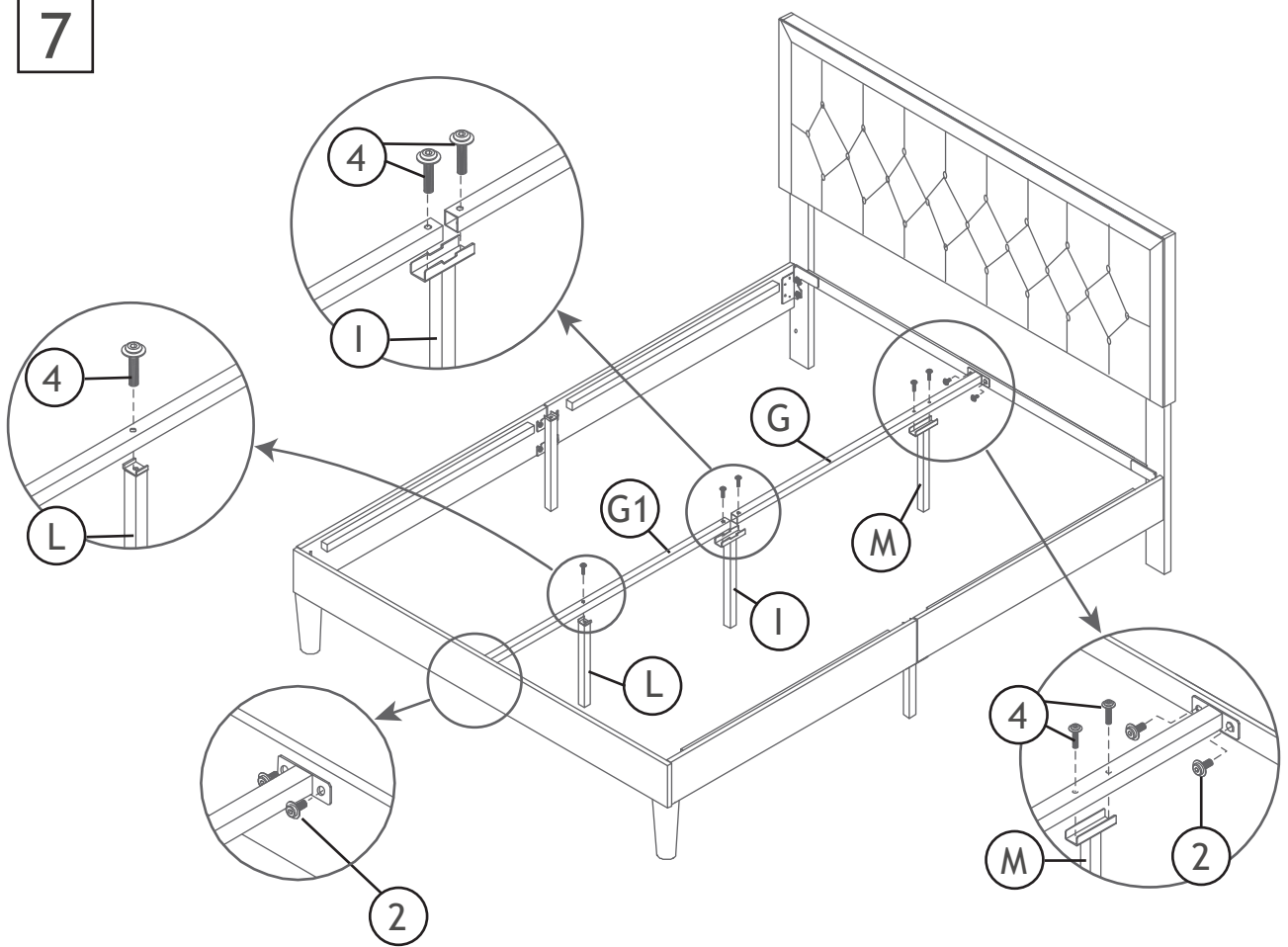


6

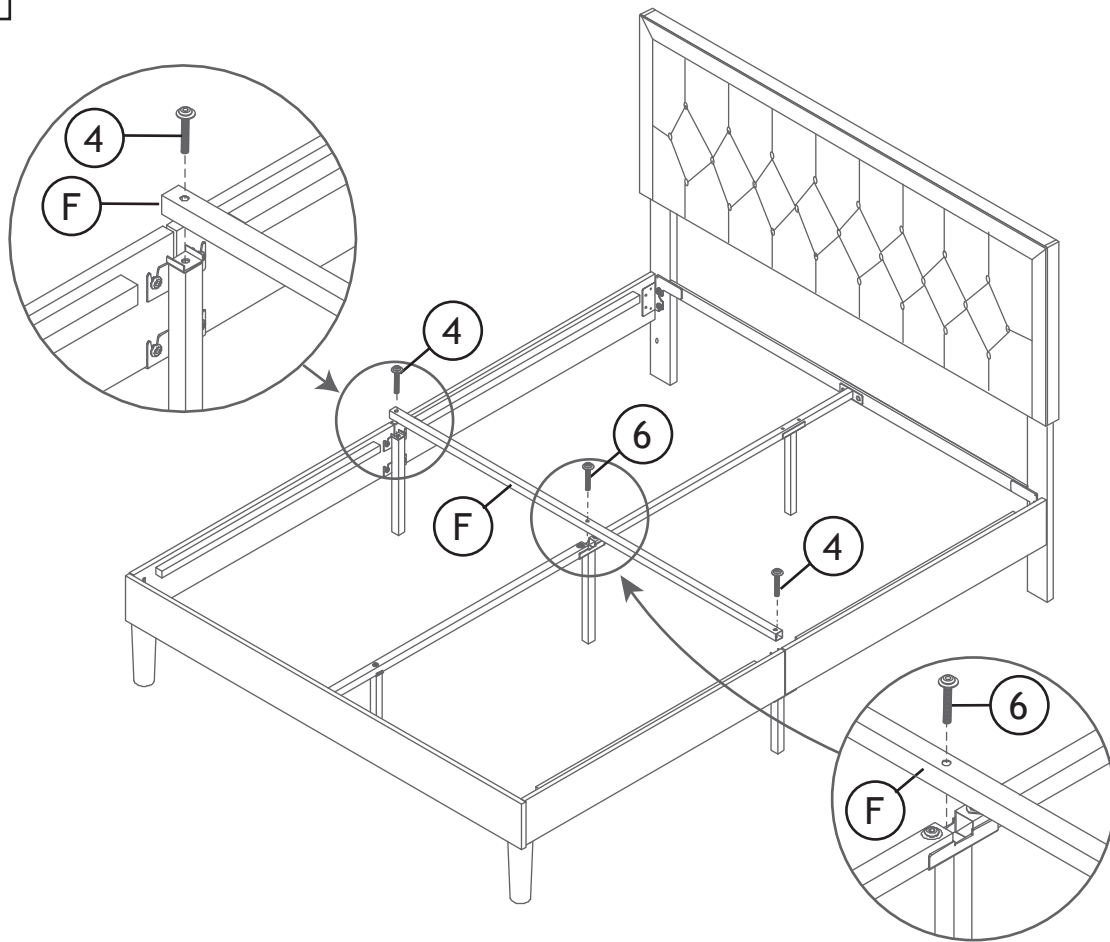
6



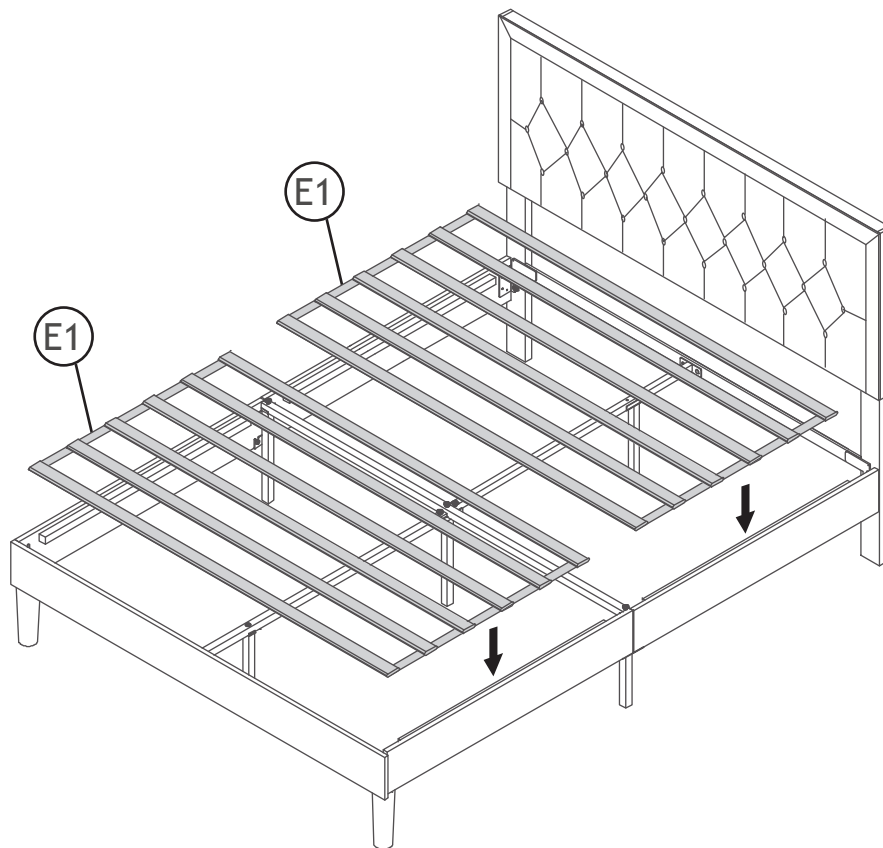
7



8



9



Xiamen X-delong Furniture Product Co., Ltd.
NO.15 XINKANG ROAD, XINYANG INDUSTRIAL AREA, HAICANG, XIAMEN, FUJIAN, CHINA
Made in china