

# FULL / QUEEN BED ASSEMBLY INSTRUCTION

Thank you for purchasing this quality product. Be sure to check all packing material carefully for small parts which may have come loose inside the carton during shipment. Separate, identify and count all parts and hardware. Compare with the parts list to be sure all parts are present.

**IMPORTANT : PLEASE READ INSTRUCTION BEFORE STARTING THE ASSEMBLY.**

**"DO NOT TIGHTEN SCREWS UNTIL COMPLETELY ASSEMBLED"**

**"DO NOT OVERTIGHT ANY HARDWARE"**

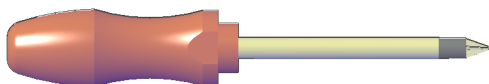
**WARNING : SMALL PARTS AND HARDWARE NOT FOR CHILDREN UNDER 3 YEARS. ADULT ASSEMBLY REQUIRED.**

## TABLE OF CONTENTS

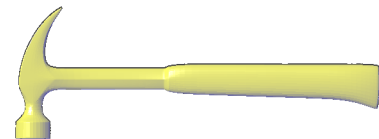
HARDWARES LIST	PAGE 2
PARTS LIST	PAGE 3
PARTS' LOCATION	PAGE 4
ASSEMBLY STEPS	PAGE 5 - 9

## ASSEMBLY TOOLS REQUIRED

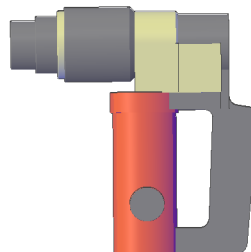
**1.Screwdriver (not provide)**



**2.Hammer (not provide)**

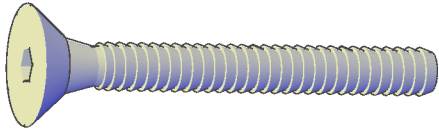
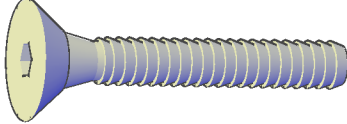
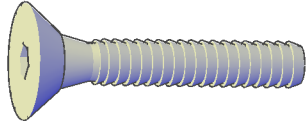

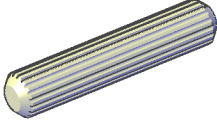
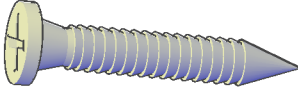
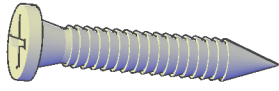
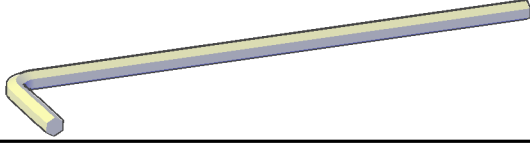
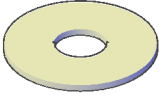
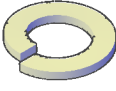
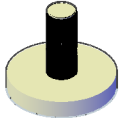


**Skip the power drill this time.**



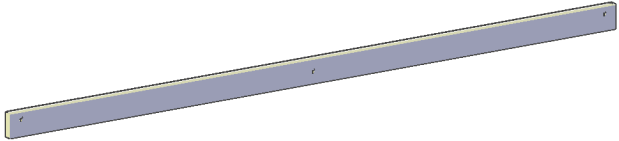
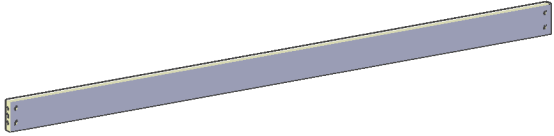
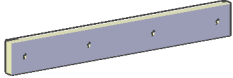
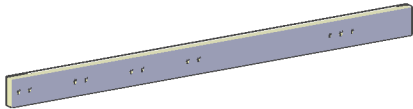
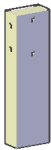
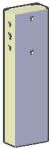
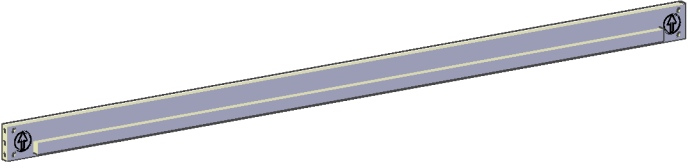

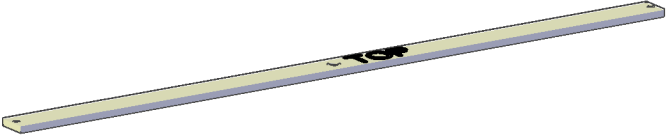
# ASSEMBLY INSTRUCTION

## HARDWARES LIST

ITEM	DESCRIPTION	DRAWING	QTY
A	JCBC SCREW M6 x 100 MM		4 PCS
B	JCBC SCREW M6 x 90 MM		8 PCS
C	JCBC SCREW M6 x 35 MM		12 PCS
D	BARREL NUT M6 x 13 MM		12 PCS
E	WOOD DOWEL M10 X 40 MM		6 PCS
F	CSK SCREW M4 x 32 MM		8 PCS
G	CSK SCREW M4 x 25 MM		8 PCS
H	M4 ALLEN KEY		1 PC
I	M6x19 MM FLAT WASHER		12 PCS
J	M6x12 MM SPRING WASHER		12 PCS
K	SUPPORT LEG ADJUSTABLE FEET		4 PCS

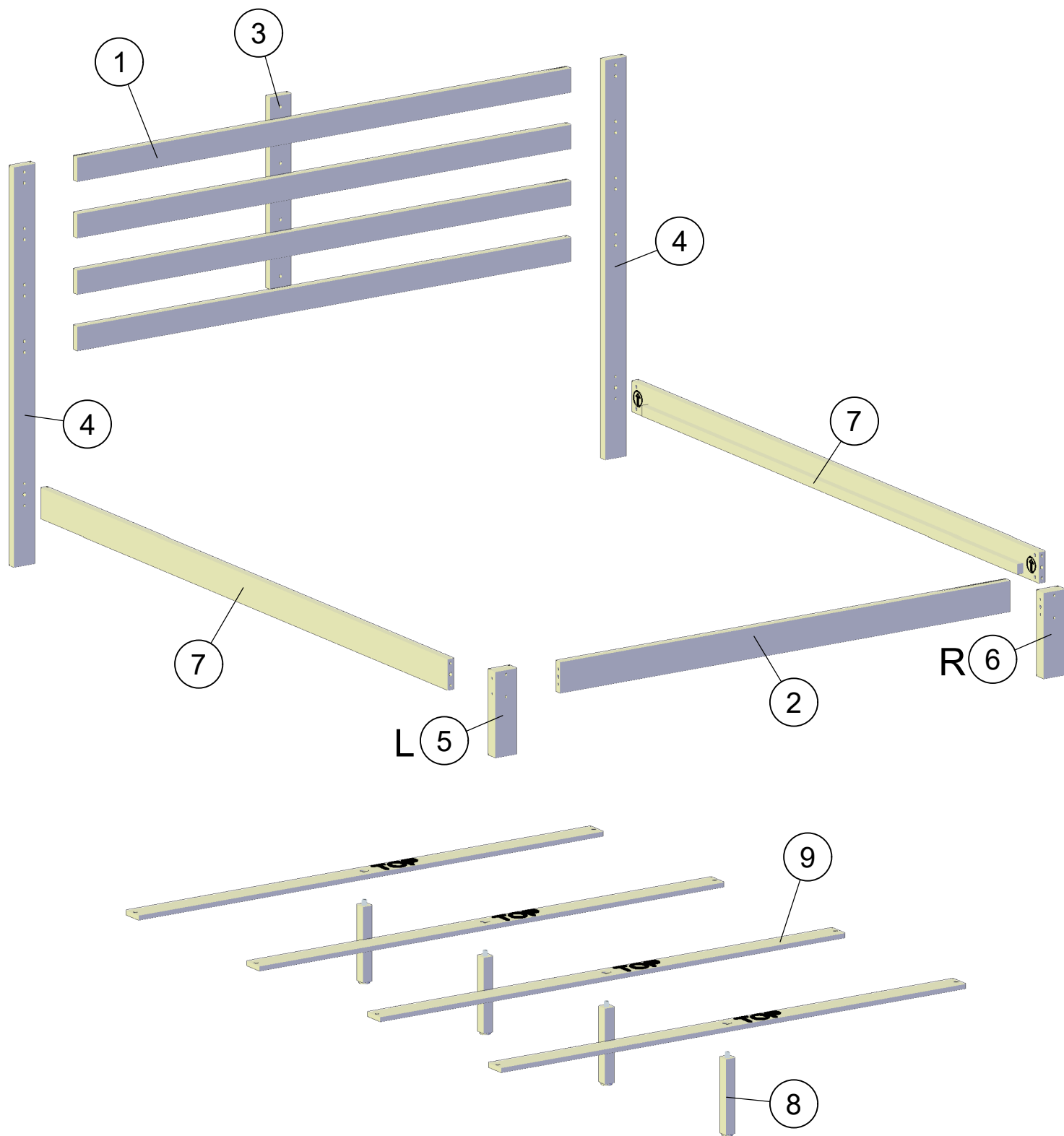
# ASSEMBLY INSTRUCTION

## PARTS LIST

ITEM	DESCRIPTION	DRAWING	QTY
1	HEADBOARD PANEL		4 PCS
2	FOOTBOARD		1 PC
3	HEADBOARD SUPPORT		1 PC
4	HEADBOARD LEG		2 PCS
5	FOOTBOARD LEG (L)		1 PC
6	FOOTBOARD LEG (R)		1 PC
7	SIDE RAIL		2 PCS
8	SUPPORT LEG		4 PCS
9	SLAT		4 PCS

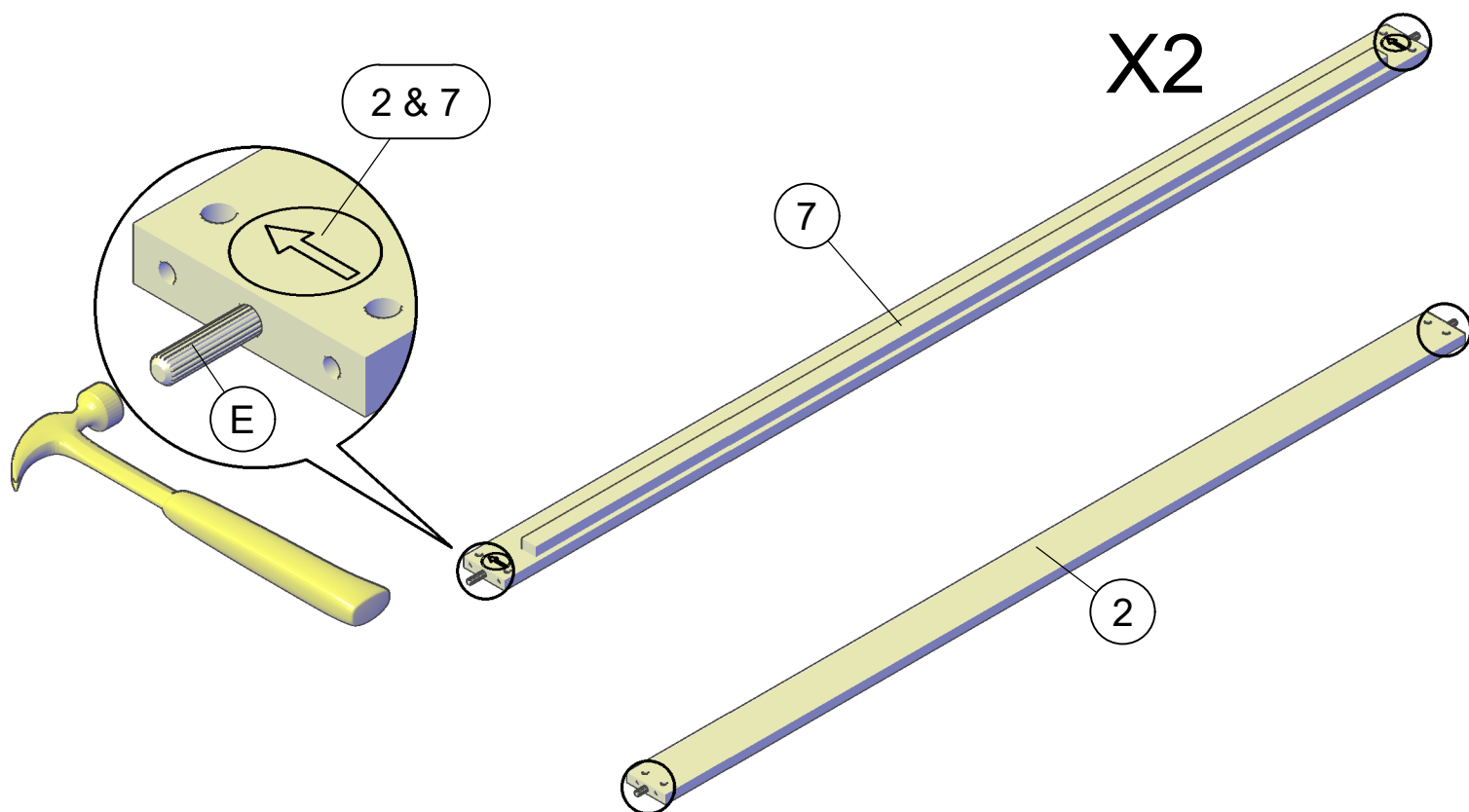
# ASSEMBLY INSTRUCTION

## PARTS LOCATION

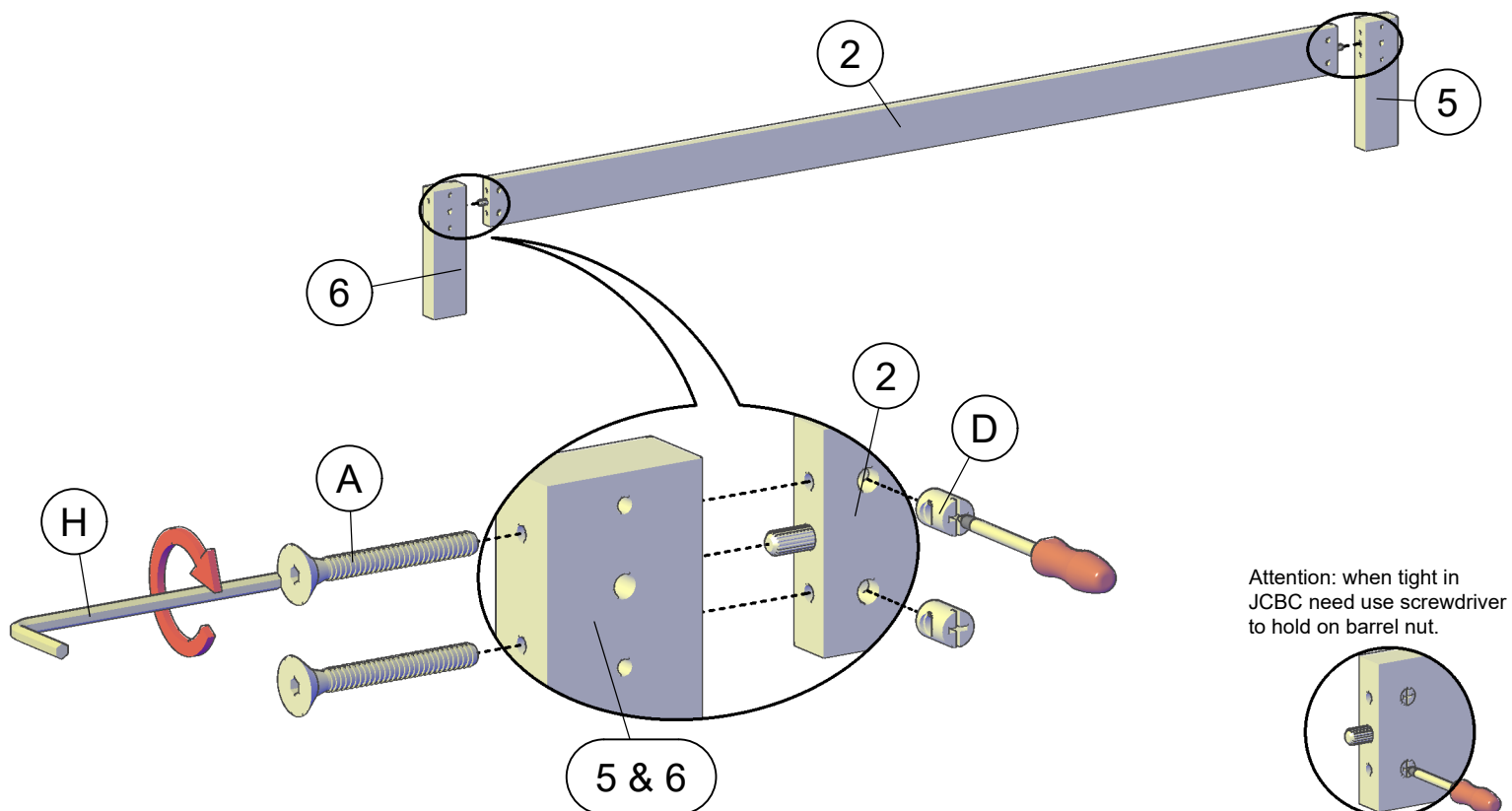


# ASSEMBLY INSTRUCTION

## STEP 1

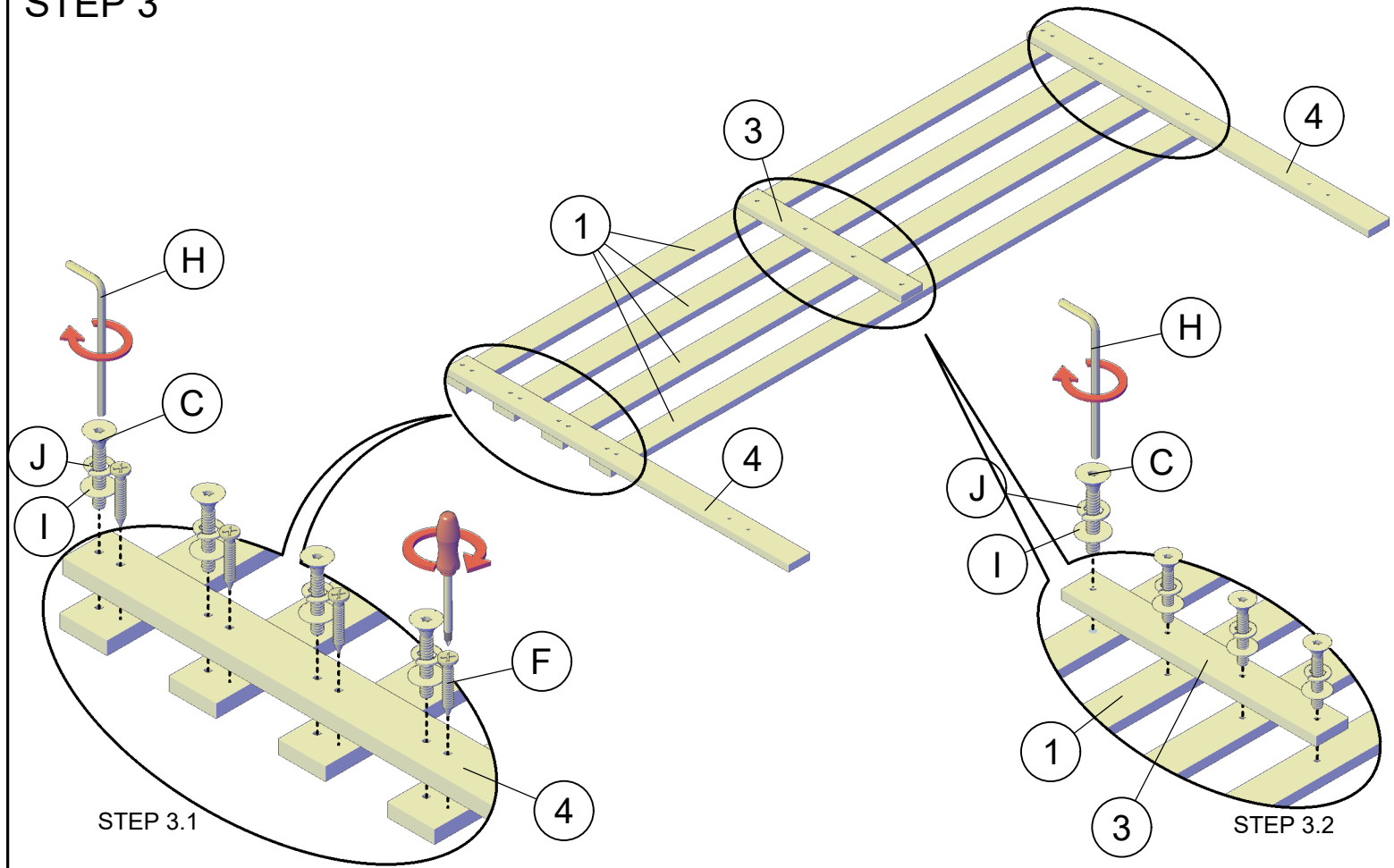


## STEP 2

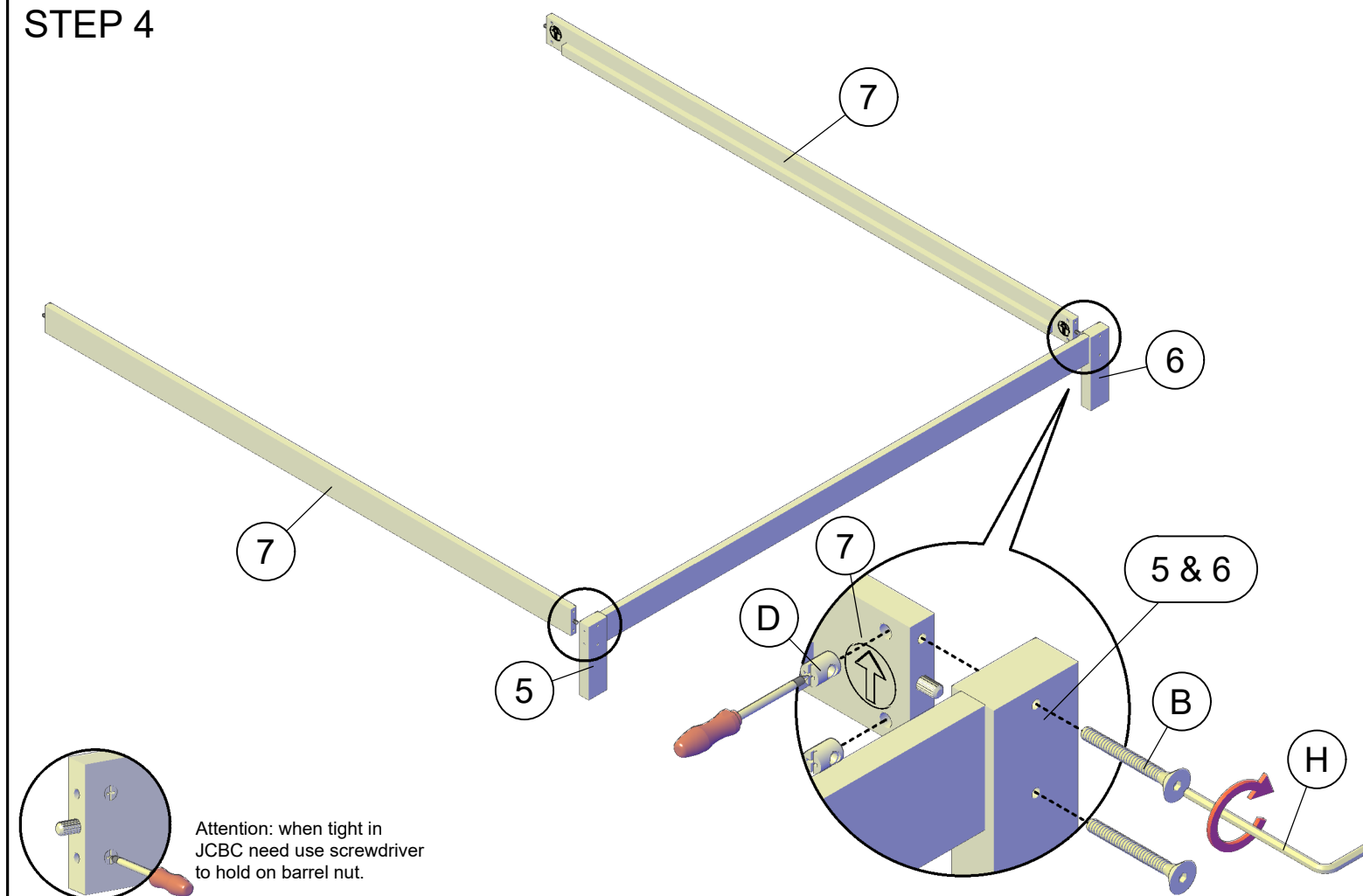


# ASSEMBLY INSTRUCTION

## STEP 3

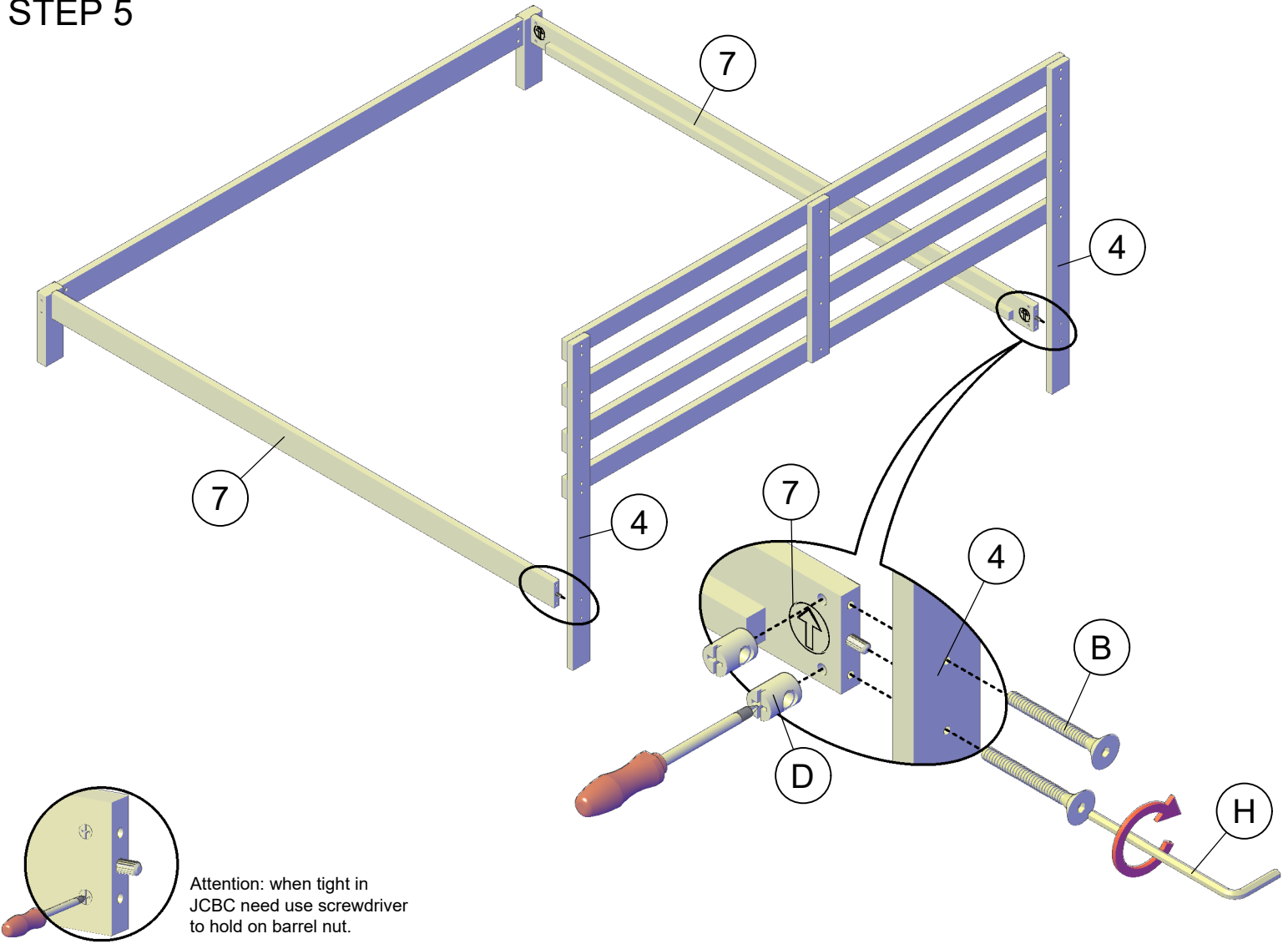


## STEP 4

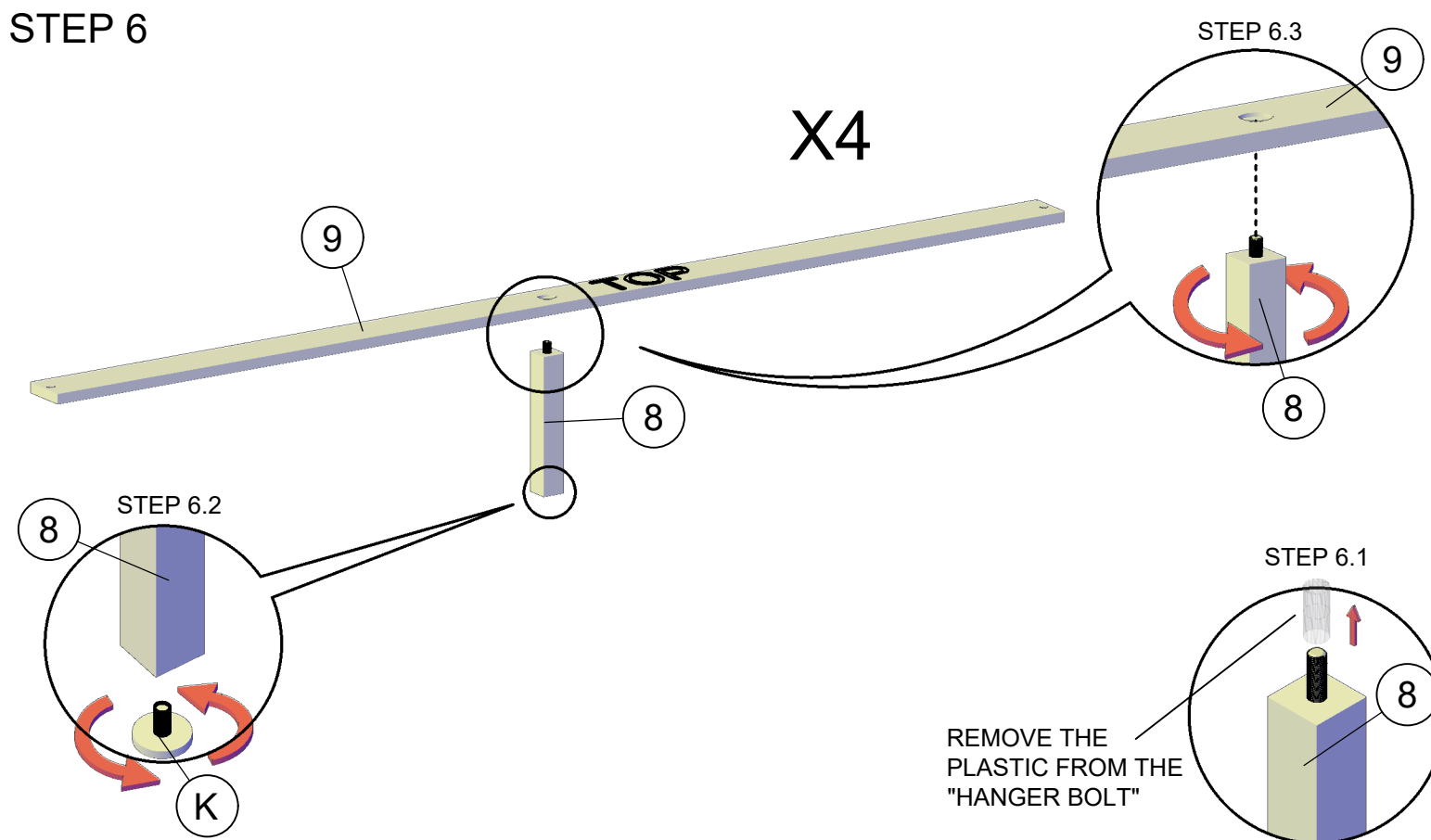


# ASSEMBLY INSTRUCTION

## STEP 5

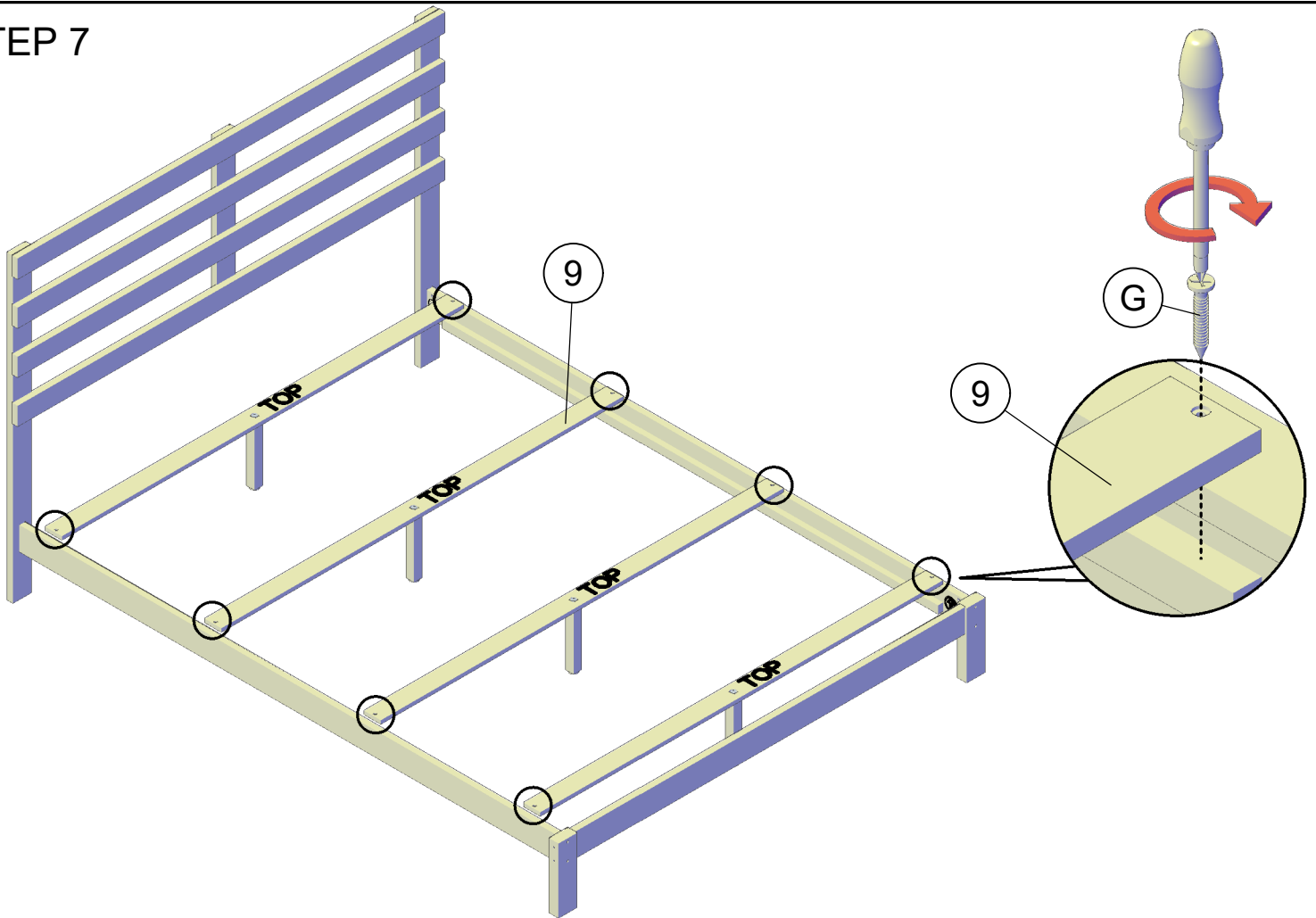


## STEP 6

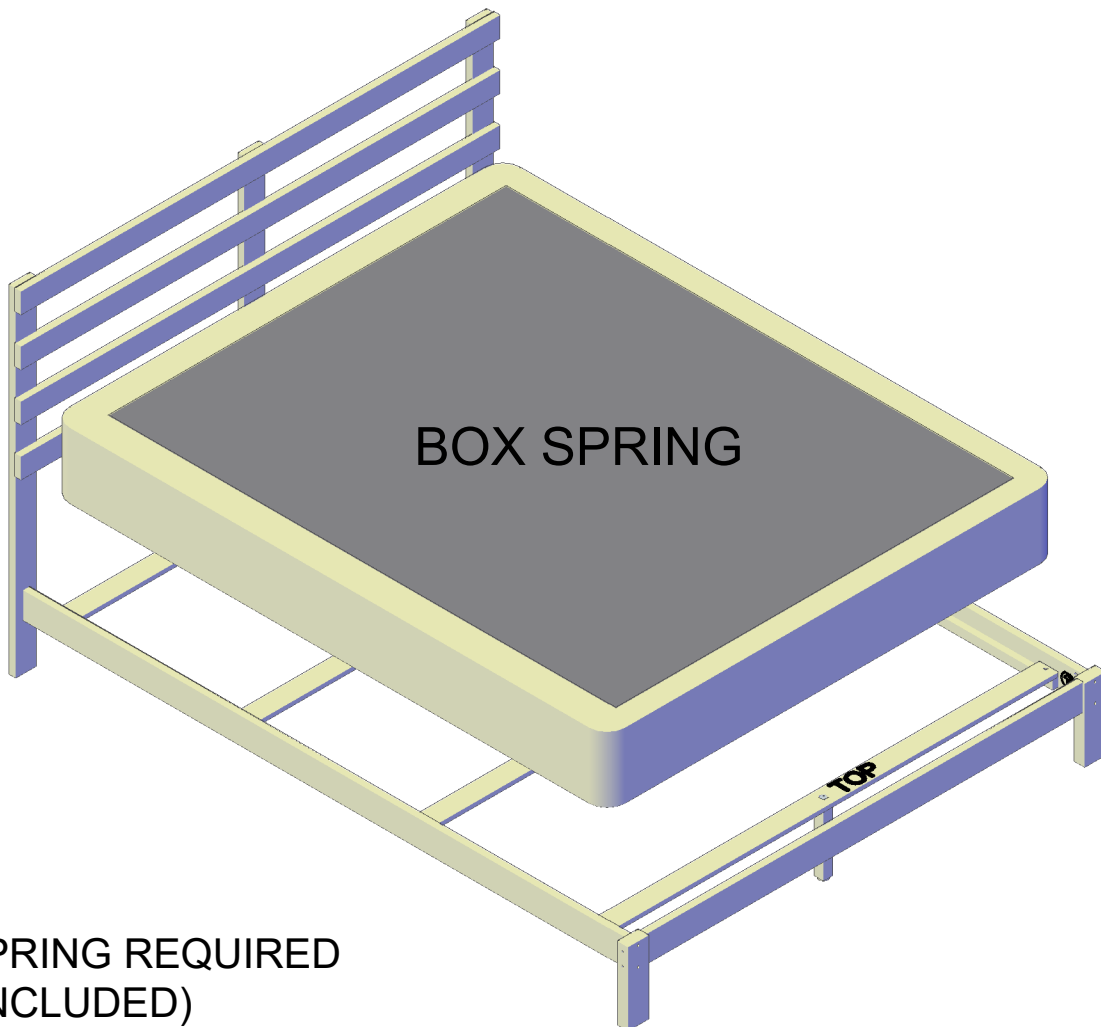


# ASSEMBLY INSTRUCTION

## STEP 7



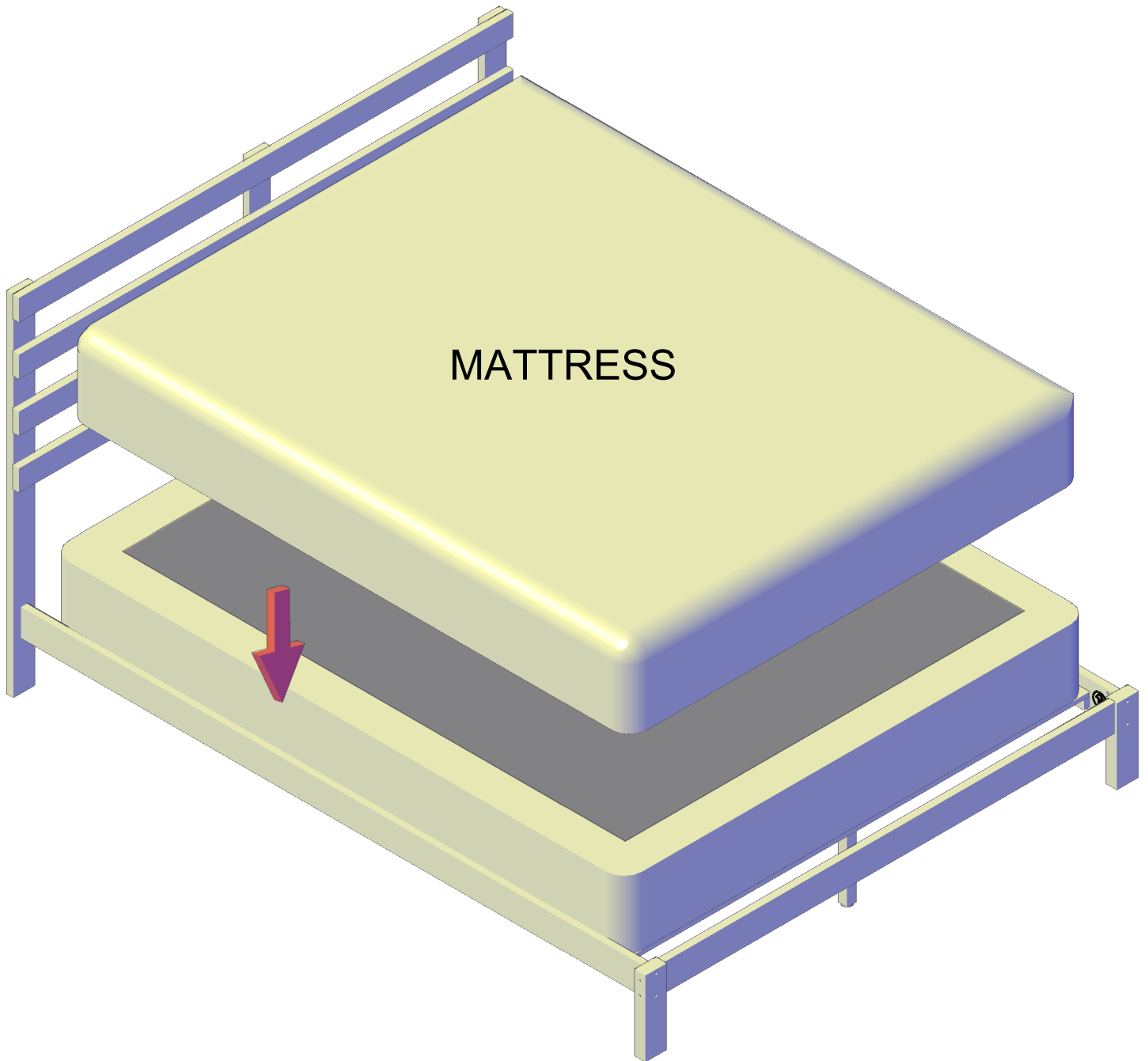
## STEP 8



**BOX SPRING REQUIRED  
(NOT INCLUDED)**

# ASSEMBLY INSTRUCTION

## STEP 9



MATTRESS NOT INCLUDED

ASSEMBLY  
COMPLETE