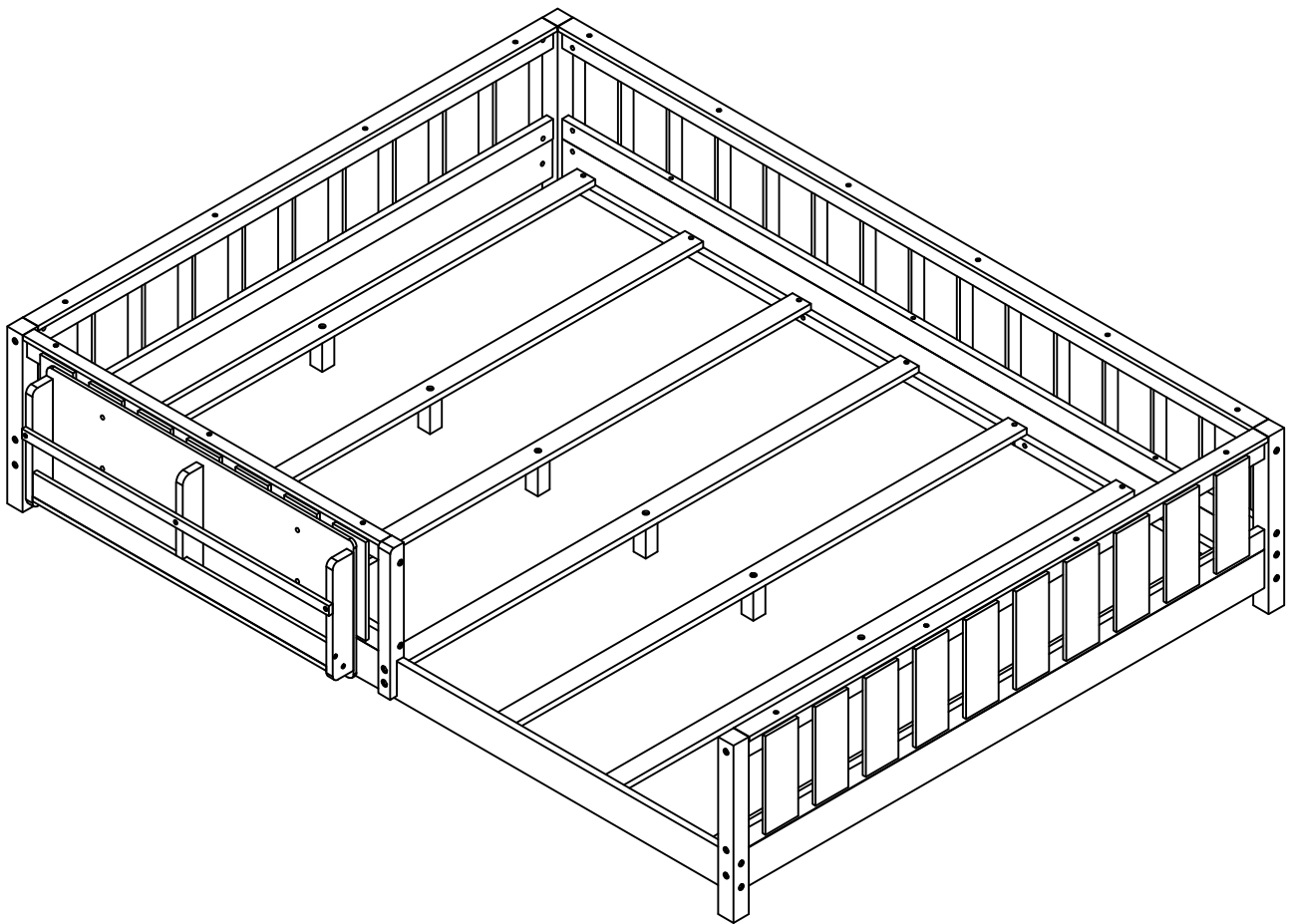


ASSEMBLY INSTRUCTION

SKU CODE : BW00474
QUEEN SIZE FLOOR BED



Bed Type
Queen Standard

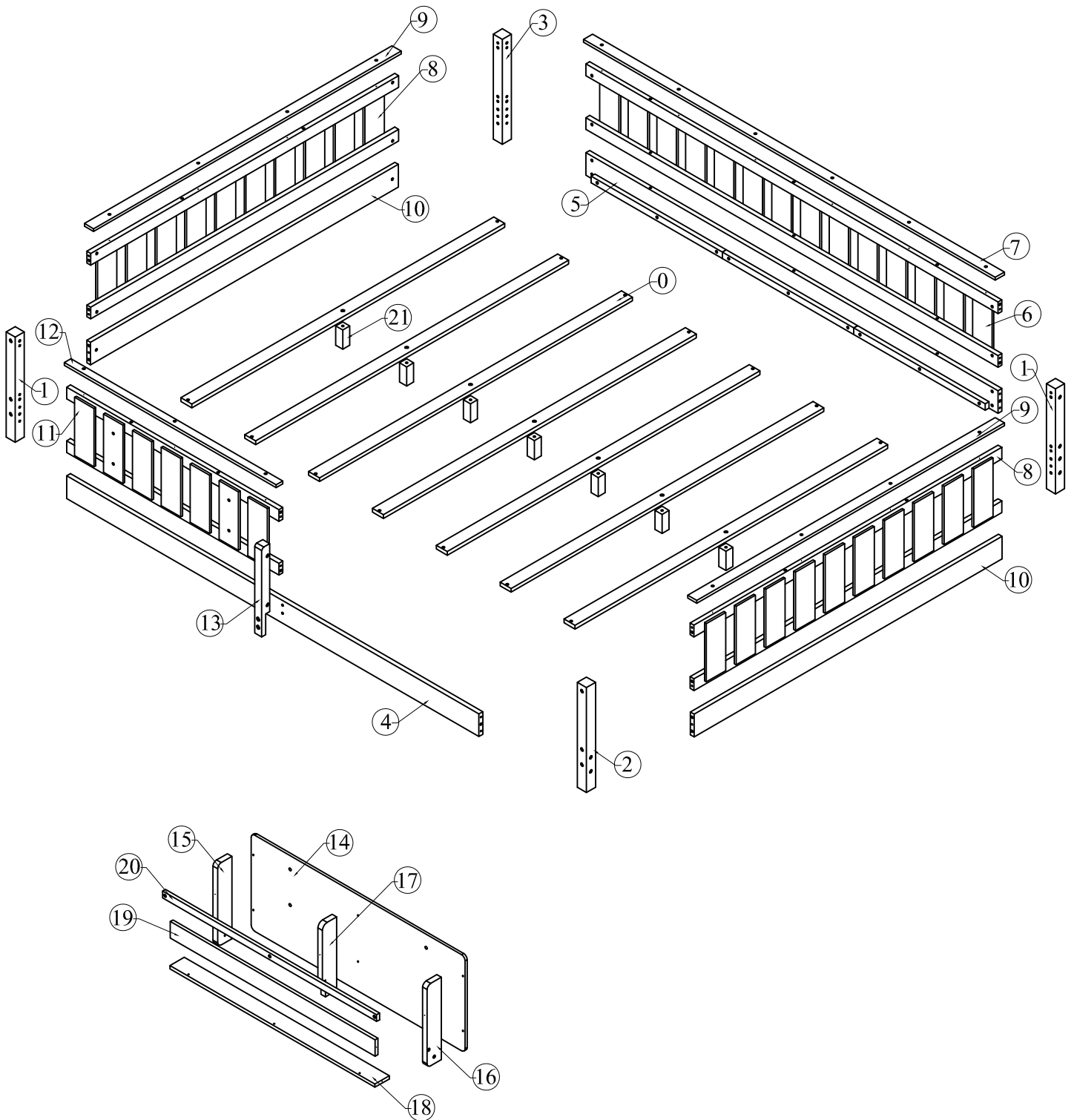
Length
80"

Width
60 "

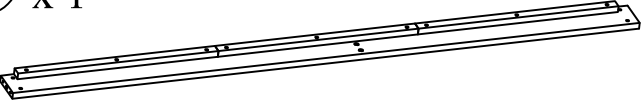

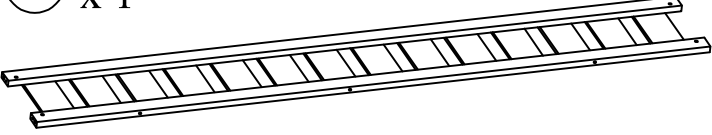


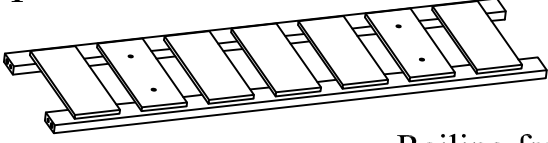
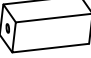
Thickness
6" max

This set is included 2 boxes, if don't receive full 2 boxes please contact our customer service team.

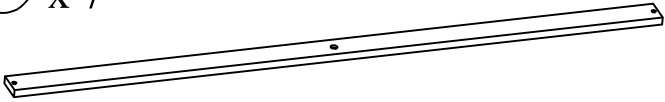
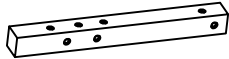
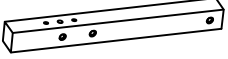
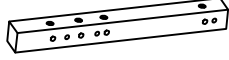
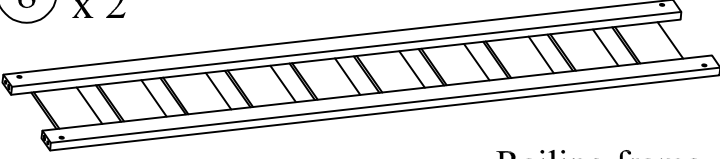
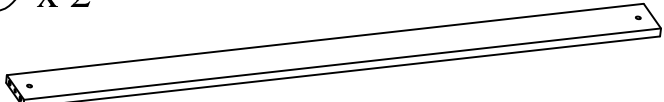


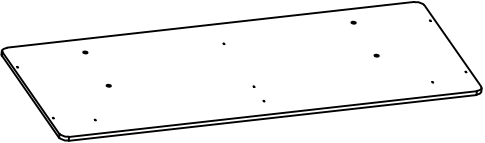






ASSEMBLY INSTRUCTION



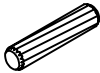












Part List (Box 1 - BW00474-1)

| | |
|--|--|
| <p>④ x 1</p>  <p>Side rail</p> | <p>⑤ x 1</p>  <p>Side rail</p> |
| <p>⑥ x 1</p>  <p>Railing frame</p> | <p>⑦ x 1</p>  <p>Top cap</p> |
| <p>⑨ x 2</p>  <p>Top cap</p> | <p>⑪ x 1</p>  <p>Railing frame</p> |
| <p>⑳ x 7</p>  <p>Support Leg</p> | |

Part List & Hardware List (Box 2 - BW00474-2)

| | |
|--|---|
| <p>① x 7</p>  <p>Slats</p> | <p>② x 2</p>  <p>Leg</p> |
| <p>③ x 1</p>  <p>Leg</p> | <p>④ x 1</p>  <p>Leg</p> |
| <p>⑤ x 2</p>  <p>Railing frame</p> | <p>⑥ x 2</p>  |
| <p>⑦ x 1</p>  <p>Top cap</p> | <p>⑧ x 1</p>  <p>Vertical support</p> |
| <p>⑨ x 1</p>  <p>Back Panel</p> | <p>⑩ x 1</p>  <p>Side Panel</p> |
| <p>⑪ x 1</p>  <p>Side Panel</p> | <p>⑫ x 1</p>  <p>Divider Panel</p> |
| <p>⑬ x 1</p>  <p>Bottom Panel</p> | <p>⑭ x 1</p>  <p>Front Panel</p> |
| <p>⑮ x 1</p>  <p>Crossbar</p> | |




Hardware List (Box 2 - BW00474-2)

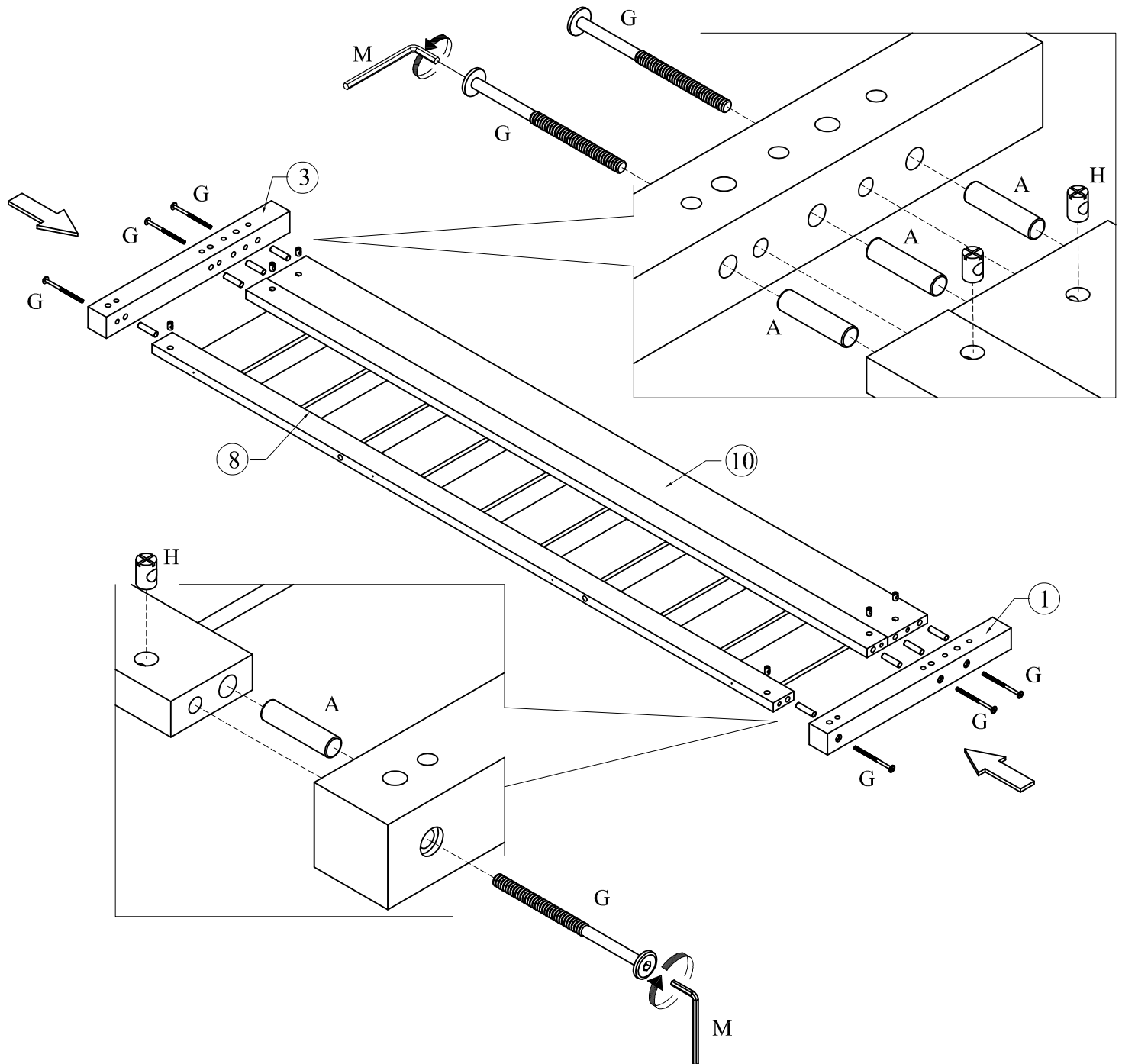
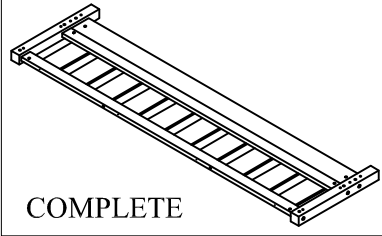
| No. | OUTLOOK | DESC | QTY |
|-----|---|--------------------------|-----|
| (A) |  | Dowel Ø10*40mm | 37 |
| (B) |  | Bolts 1/4"*15mm | 04 |
| (C) |  | Bolts 1/4"*25mm | 02 |
| (D) |  | Bolts 1/4"*30mm | 07 |
| (E) |  | Bolts 1/4"*70mm | 03 |
| (F) |  | Bolts 1/4"*80mm | 02 |
| (G) |  | Bolts 1/4"*90mm | 26 |
| (H) |  | Cross dowel 1/4"*13mm | 28 |
| (I) |  | Hex bolts 1/4"*15mm | 06 |
| (J) |  | Round Head Screw #8*25mm | 09 |
| (K) |  | Screws #8*30mm | 31 |
| (L) |  | Screws #8*35mm | 10 |
| (M) |  | Allen key 60*22*4mm | 02 |

ASSEMBLY TOOLS REQUIRED (NOT INCLUDED)





STEP 1

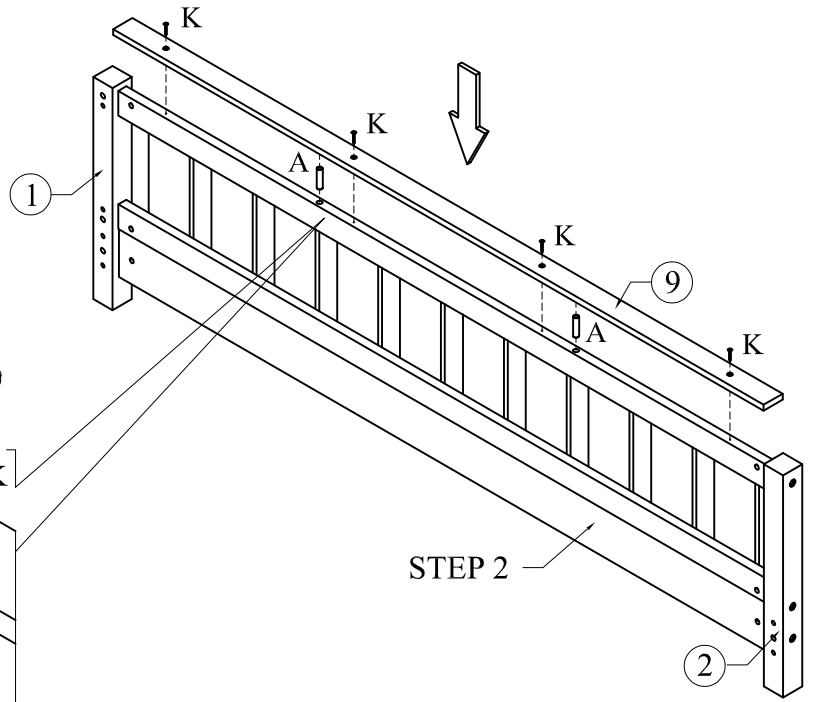
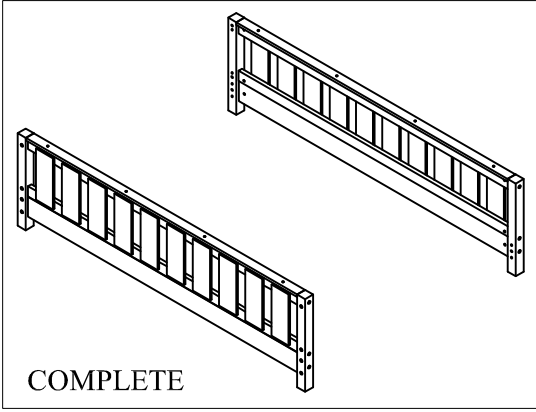
| | | |
|-----|---|----|
| (A) |  | 08 |
| (G) |  | 06 |
| (H) |  | 06 |



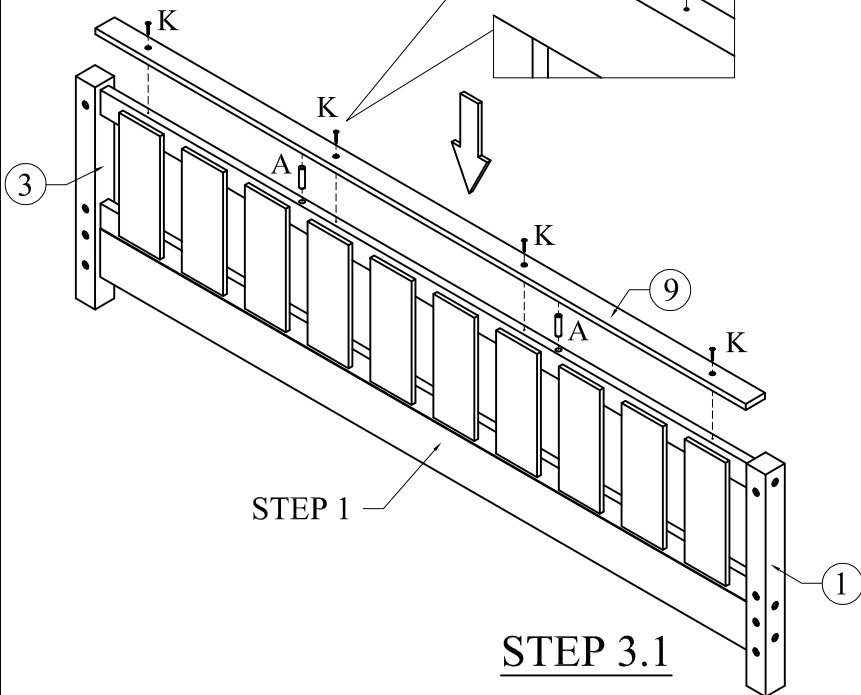
Note: Do not overtighten the bolts to ensure easier assembly in the next step.

STEP 3




| | | |
|-----|---|----|
| (A) |  | 04 |
| (K) |  | 08 |

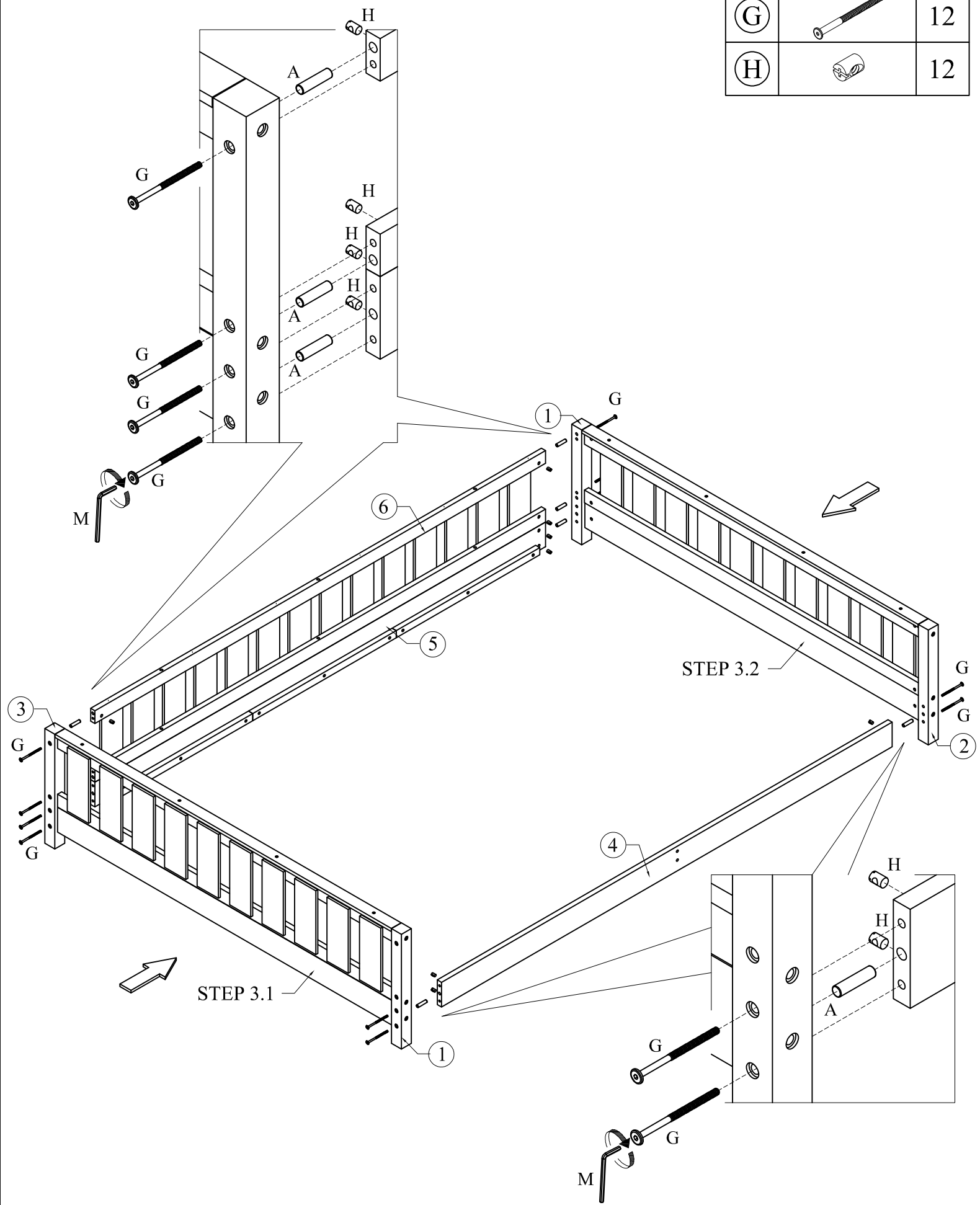


STEP 3.2





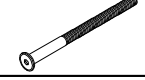

STEP 4

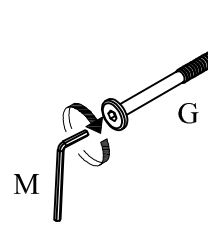
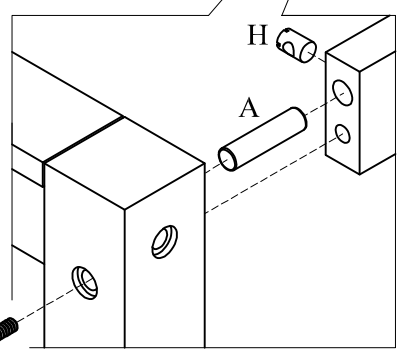
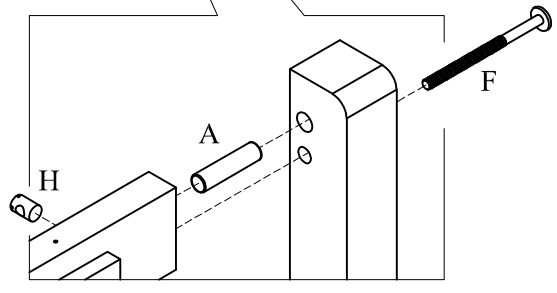
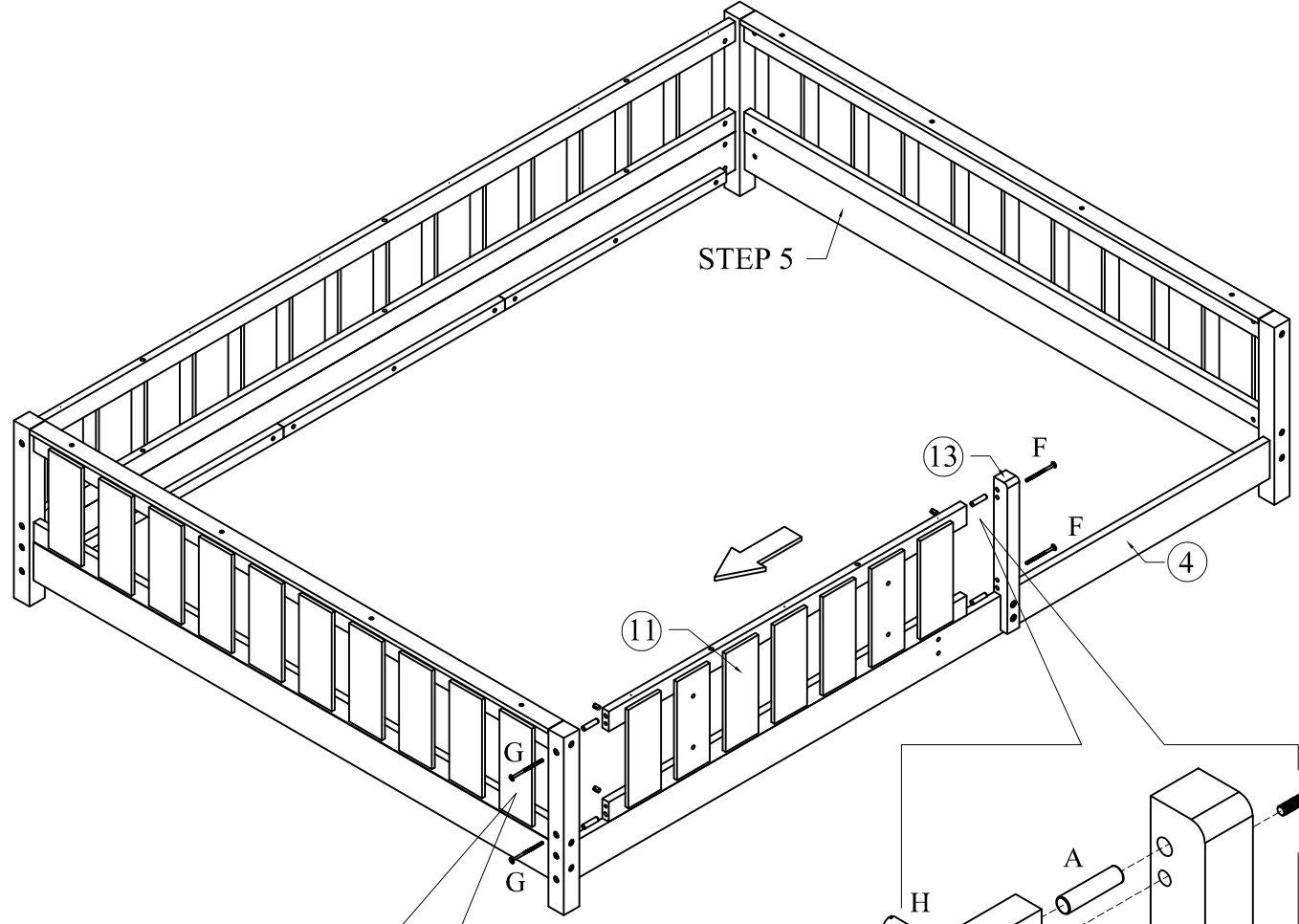
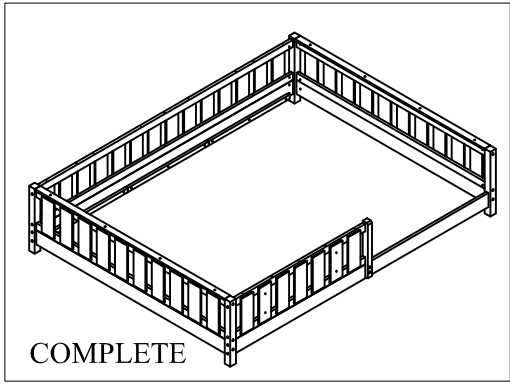
| | | |
|-----|---|----|
| (A) |  | 08 |
| (G) |  | 12 |
| (H) |  | 12 |






Note: Do not overtighten the bolts to ensure easier assembly in the next step.

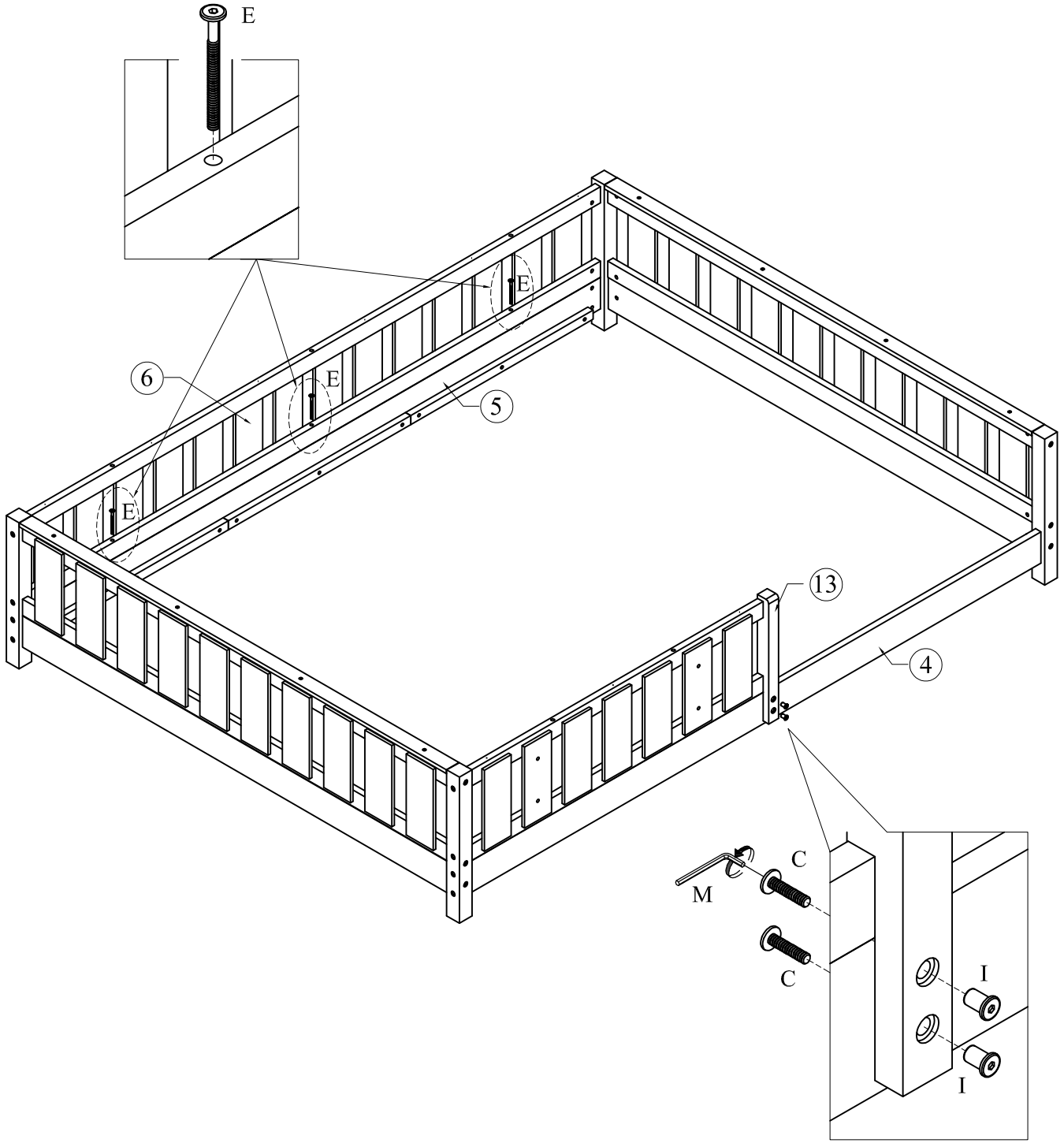
STEP 5

| | | |
|-----|---|----|
| (A) |  | 04 |
| (F) |  | 02 |
| (G) |  | 02 |
| (H) |  | 04 |





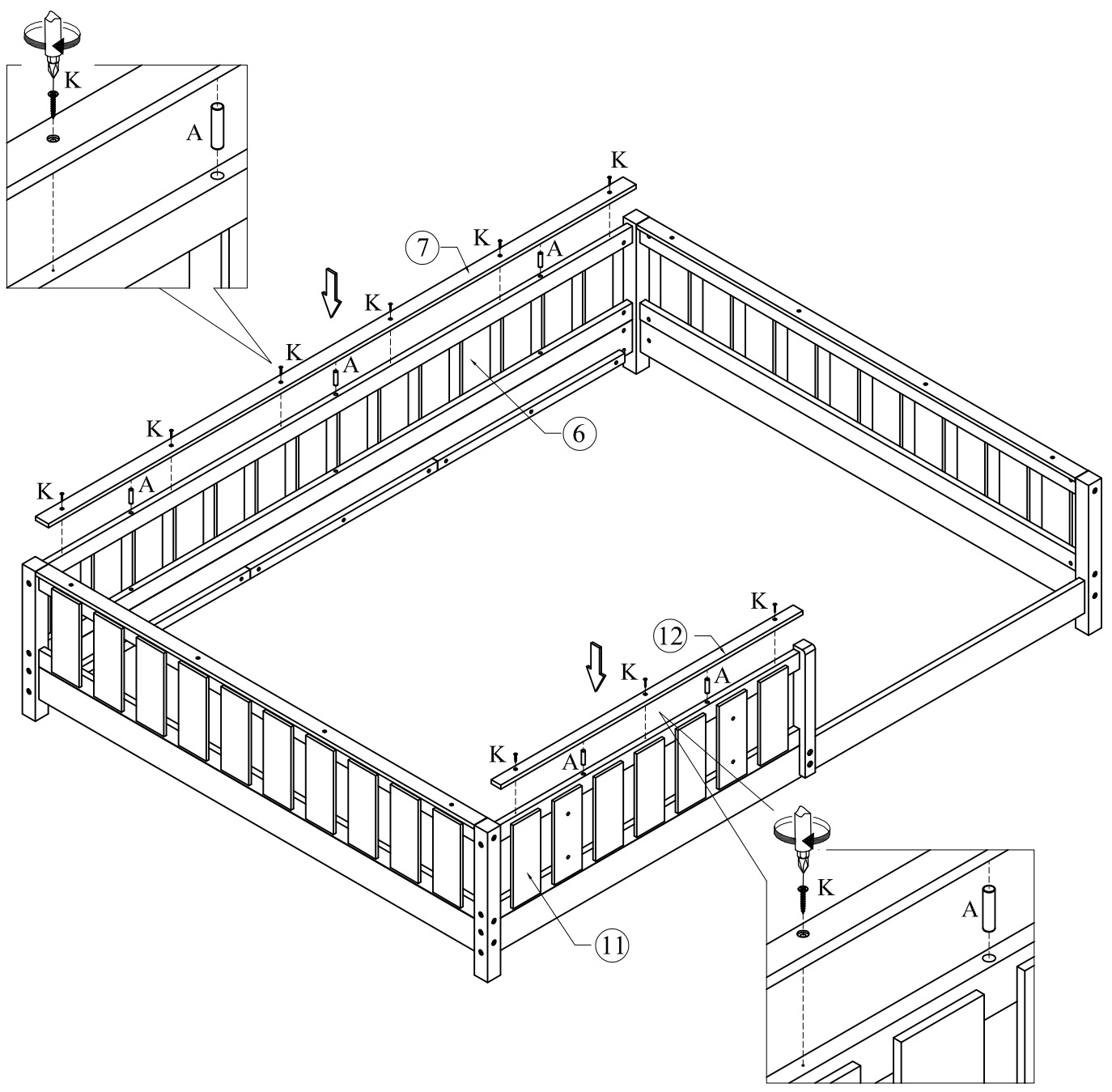
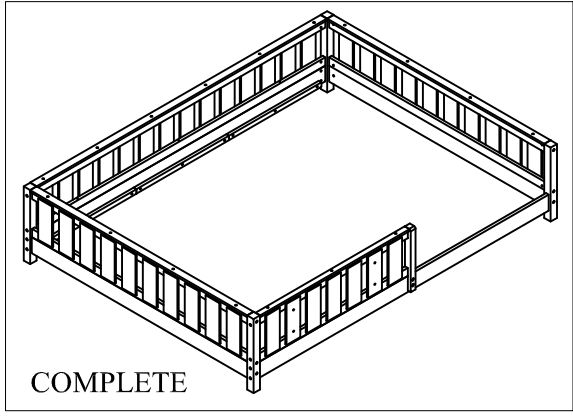
STEP 6

| | | |
|-----|---|----|
| (C) |  | 02 |
| (E) |  | 03 |
| (I) |  | 02 |




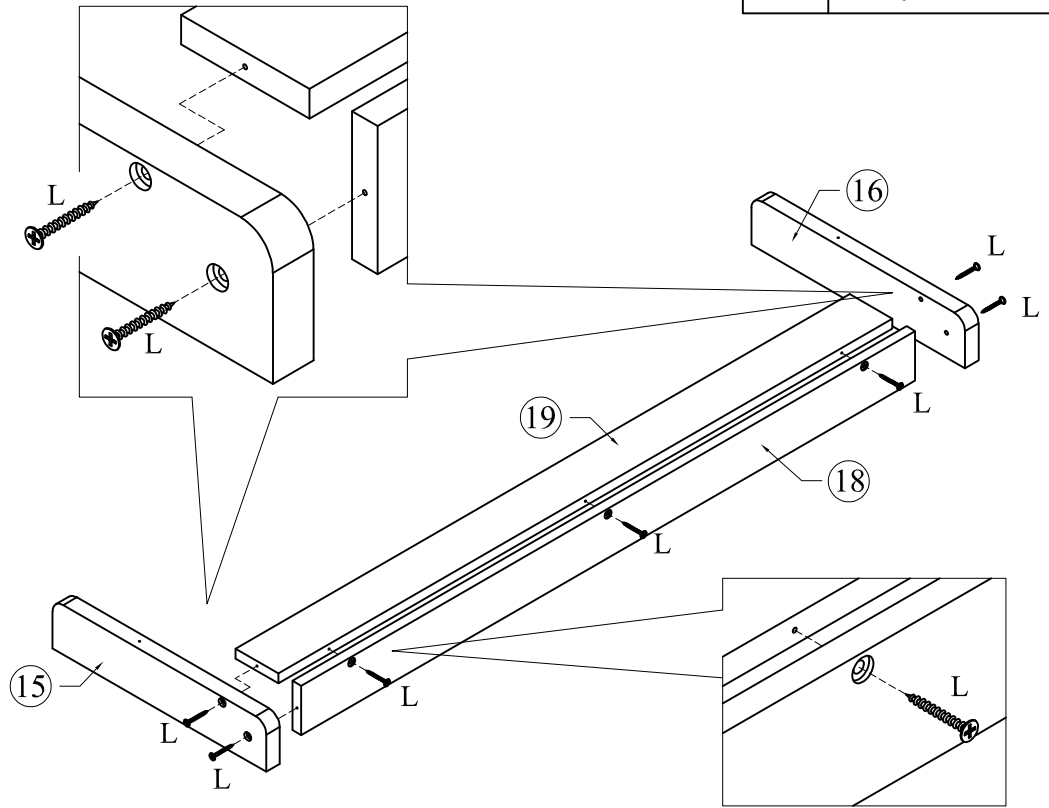
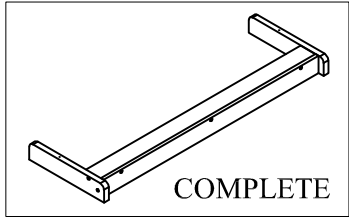
STEP 7

| | | |
|-----|---|----|
| (A) |  | 05 |
| (K) |  | 09 |




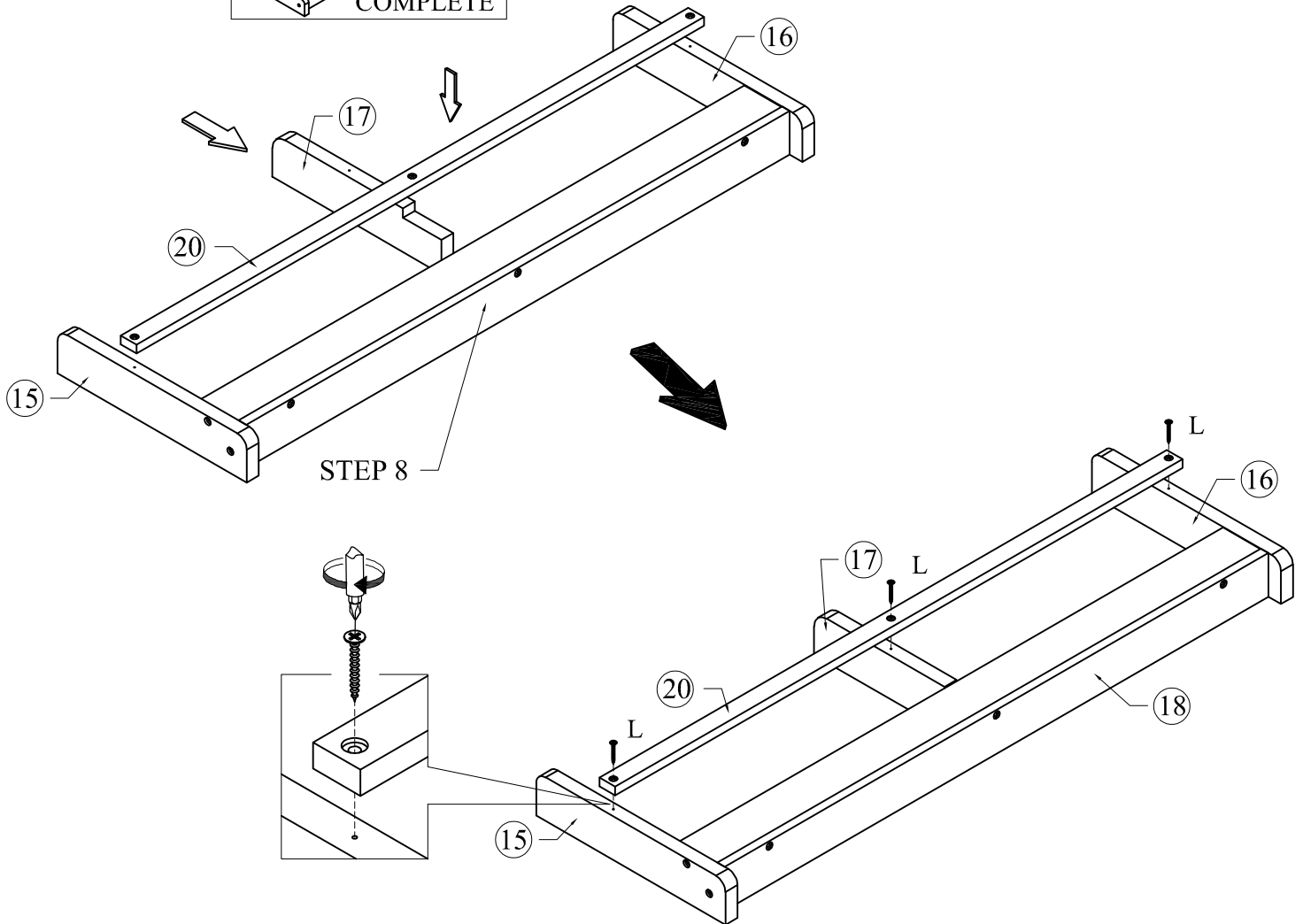
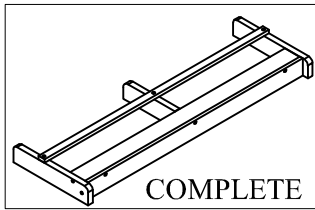
STEP 8

| | | |
|-----|---|----|
| (L) |  | 07 |
|-----|---|----|




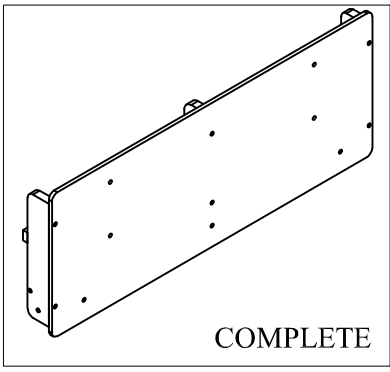
STEP 9

| | | |
|-----|--|----|
| (L) |  | 03 |
|-----|--|----|

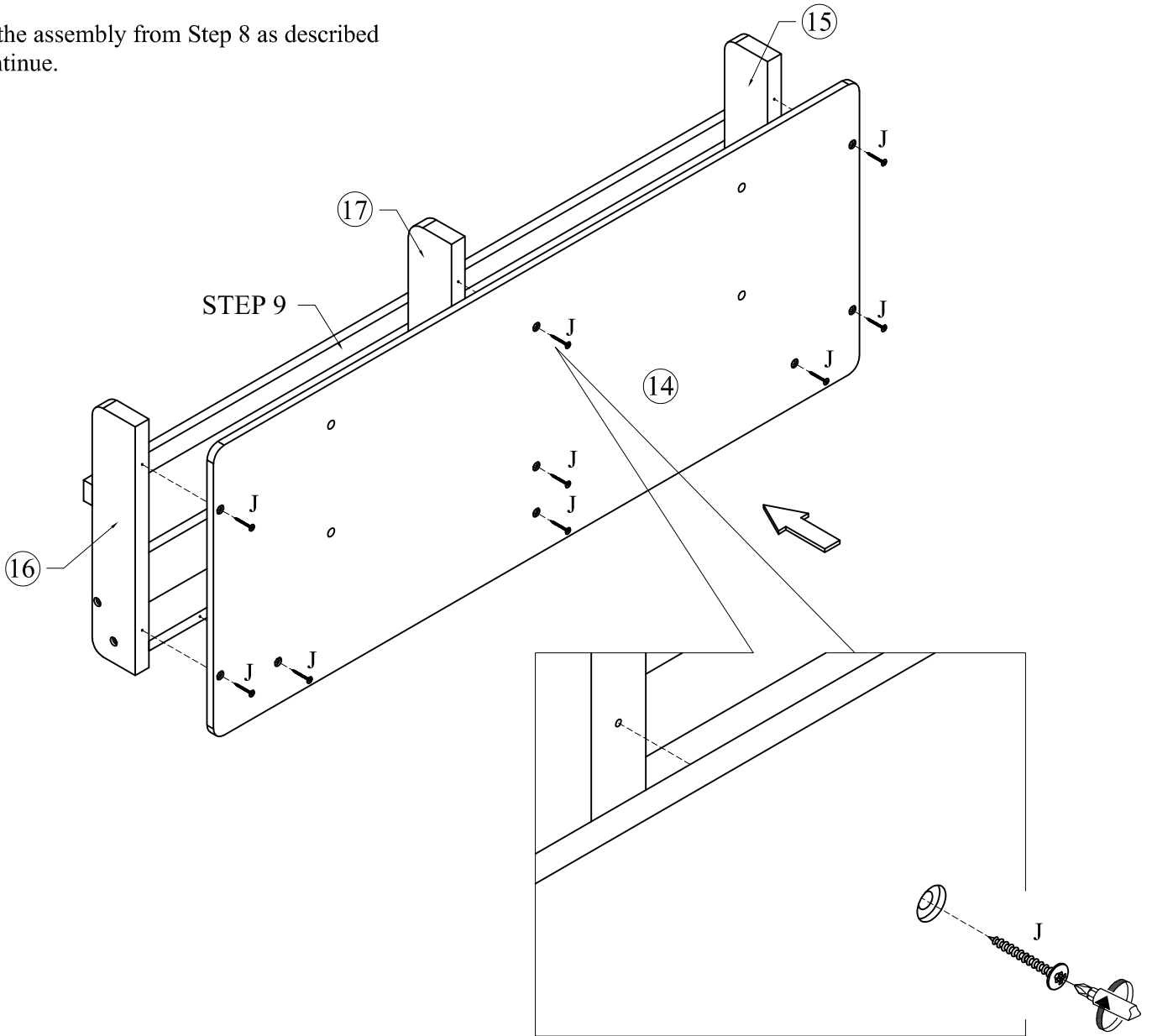


STEP 10



| | | |
|---|---|----|
| J |  | 09 |
|---|---|----|

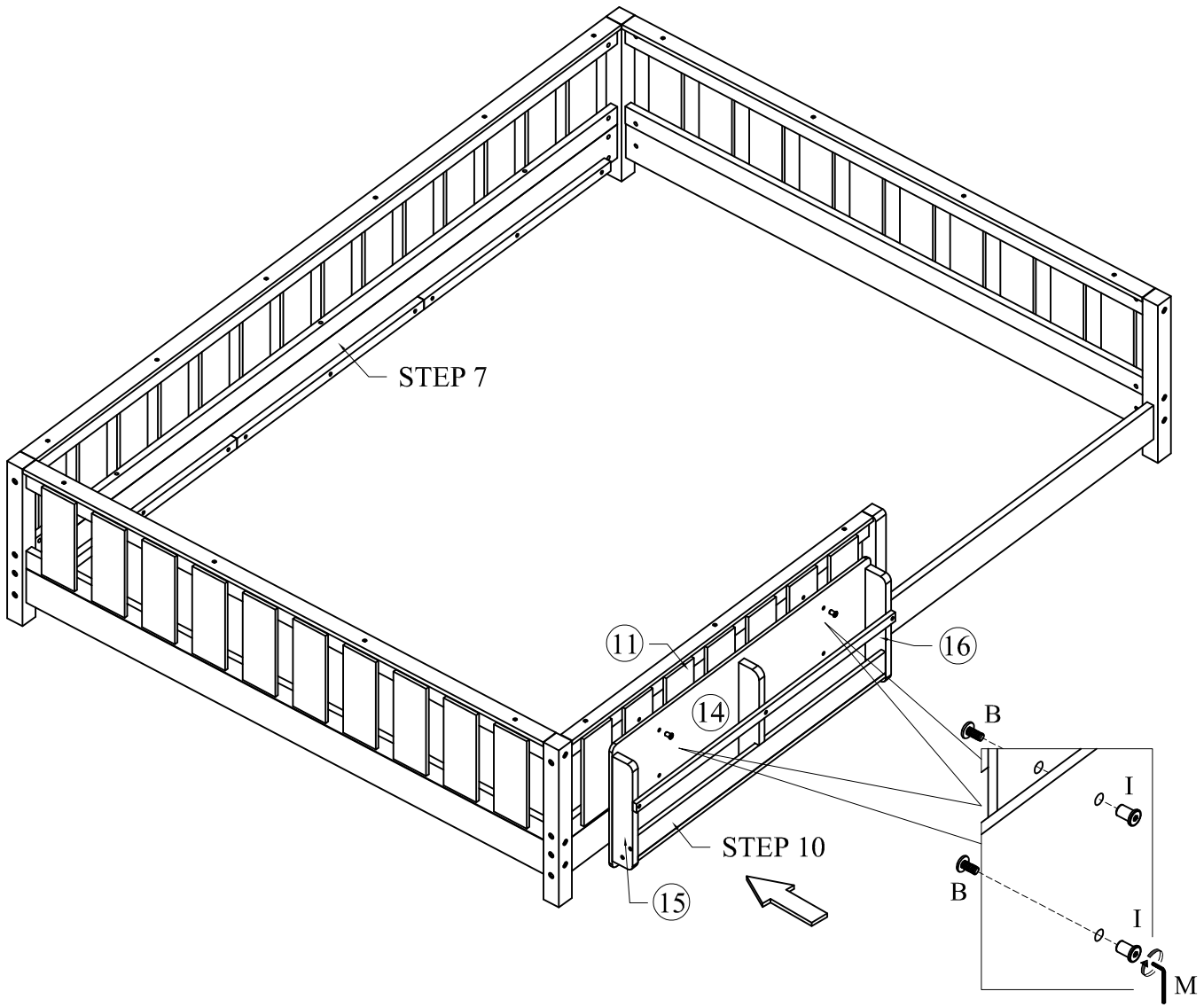
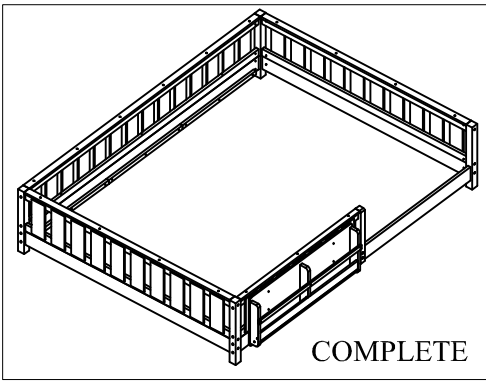


Rotate the assembly from Step 8 as described and continue.





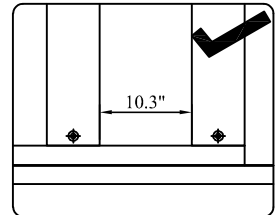
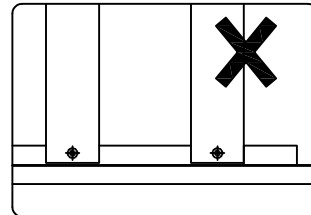
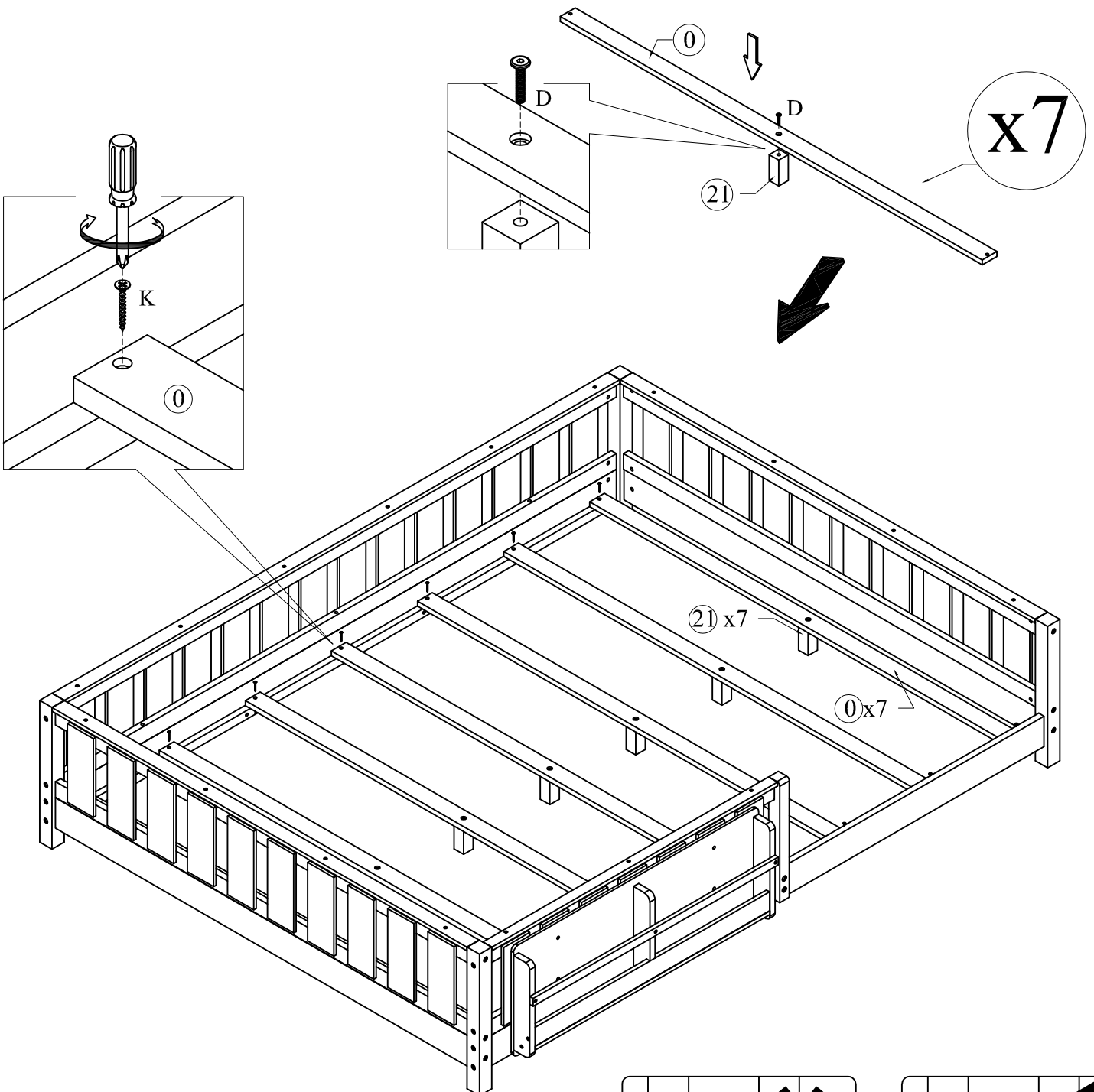
STEP 11

| | | |
|-----|---|----|
| (B) |  | 04 |
| (I) |  | 04 |



STEP 12

| | | |
|-----|---|----|
| (D) |  | 07 |
| (K) |  | 14 |



Check and fully tighten all bolts in the assembly steps to ensure a solid structure.

COMPLETED

