

NEVER allow children to climb or hang on furniture, including drawers or cabinet doors.

In addition to installing the restrains , to help prevent tip-over

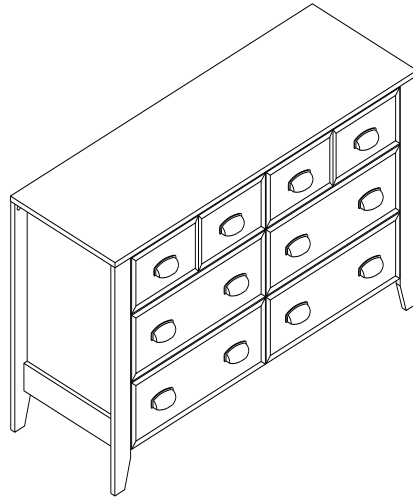
- 1. NEVER put a TV or other heavy objects on top of this product.**
- 2. Do not stand on the product.**

 WARNING	
	<p>Children have died from furniture tipover. To reduce the risk of furniture tipover:</p> <ul style="list-style-type: none">• ALWAYS install tipover restraint provided.• NEVER put a TV on this product.• NEVER allow children to stand, climb or hang on drawers, doors, or shelves.• NEVER open more than one drawer at a time.• Place heaviest items in the lowest drawers.• Do not defeat or remove the drawer interlock system.
	<p><i>This is a permanent label. Do not remove!</i></p>

Assembly Instructions

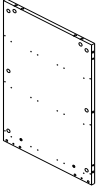
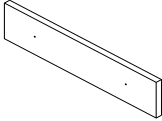
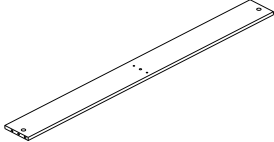
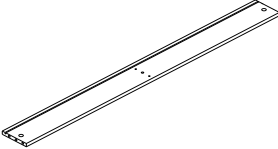
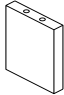
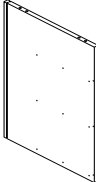
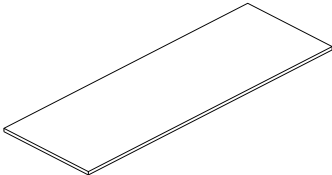
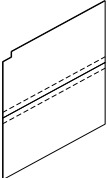
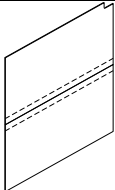
Caution : You must read this before you proceed

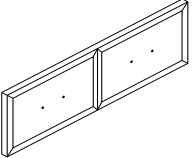
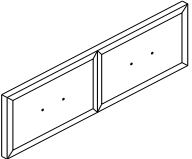
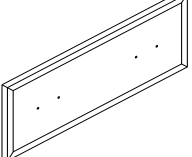
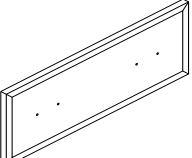
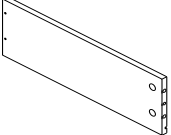
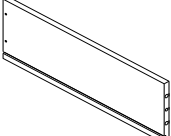
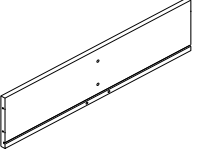
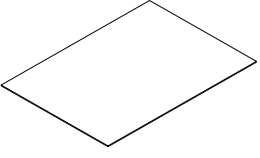
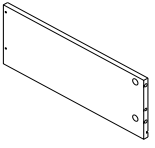
6 DRAWER DRESSER

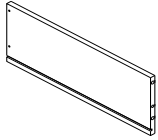
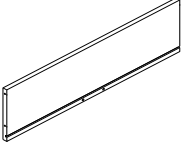
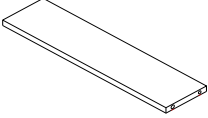
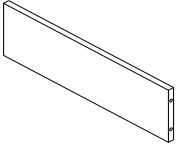


Part List

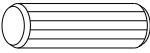
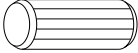
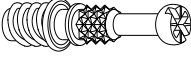


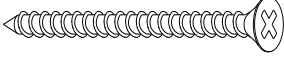
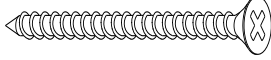
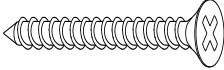
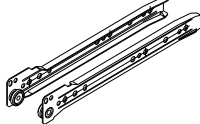
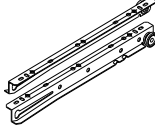
Label	Picture	Description	QTY
①		Left Front Leg	1
②		Right Front Leg	1
③		Right Rear Leg	1
④		Left Rear Leg	1

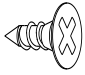
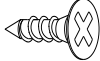
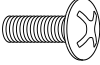
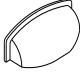

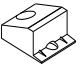
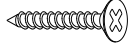

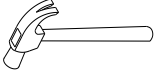

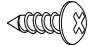
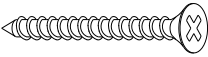
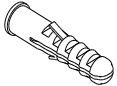
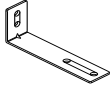
5		Side Panel	2
6		Horizontal Panel	2
7		Bottom Front Panel	1
8		Bottom Rear Panel	1
9		Support Panel	1
10		Center Panel	1
11		Top Panel	1
12		Left Rear Panel	1
13		Right Rear Panel	1

14		Left Drawer Front	1
15		Right Drawer Front	1
16		Left Drawer Front	2
17		Right Drawer Front	2
18		Left Drawer Side Panel	2
19		Right Drawer Side Panel	2
20		Drawer Back Panel	2
21		Drawer Panel	6
22		Left Drawer Side Panel	4

23		Right Drawer Side Panel	4
24		Drawer Back Panel	4
25		Drawer Support	6
26		Drawer Divider	2

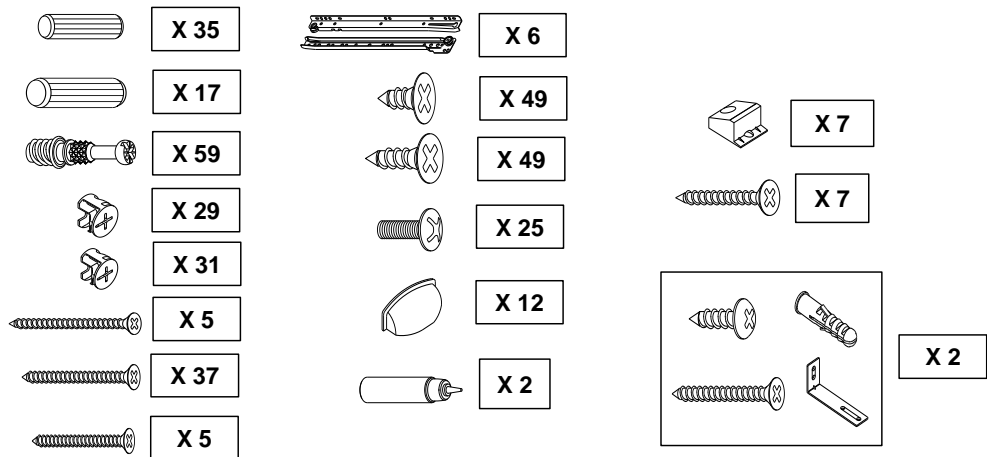
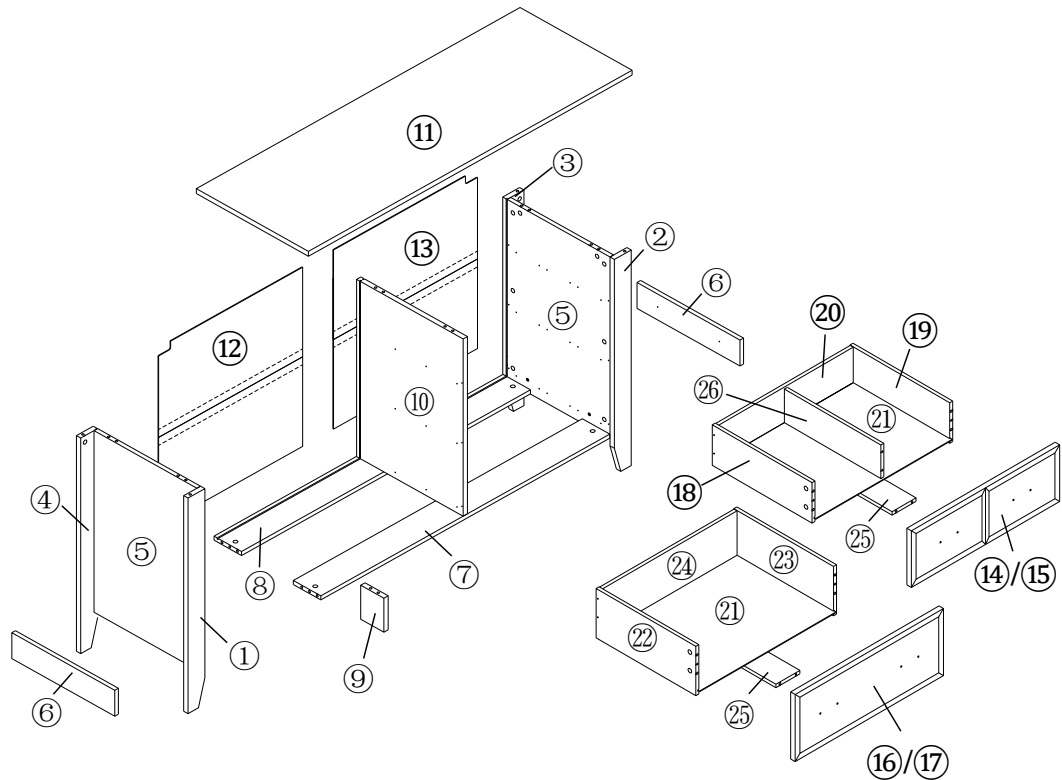
Hardware






Label	Picture	Description	QTY
A		Wood Dowel M6 x 25mm	35
B		Wood Dowel M8 x 25mm	17
C		Cam Bolt	59
D		Cam Lock (15/12.5mm)	29
E		Cam Lock (15/9.5mm)	31
F		Screw M4.5 x 50mm	5
G		Screw M4.5 x 38mm	37
H		Screw M4 x 25mm	5
I	  Carcass Slide Drawer Slide	Slide	6

J		Screw M4 x 12mm	49
K		Screw M4 x 14mm	49
L		Truss Head Screw M4 x 12mm	25
M		Handle	12
N		Glue	2
O		Corner Block	7
P		Screw M3 x 20mm	7
Q		Screwdriver (not provided)	1
R		Hammer (not provided)	1
S		Power Drill (not provided)	1
<u>Restraint Device Hardware</u>			
T		Screw M3.5 x 12mm	2
		Screw M3.5x 38mm	2
		Wall Plug	2
		Metal Bracket	2

Assembly Preparation

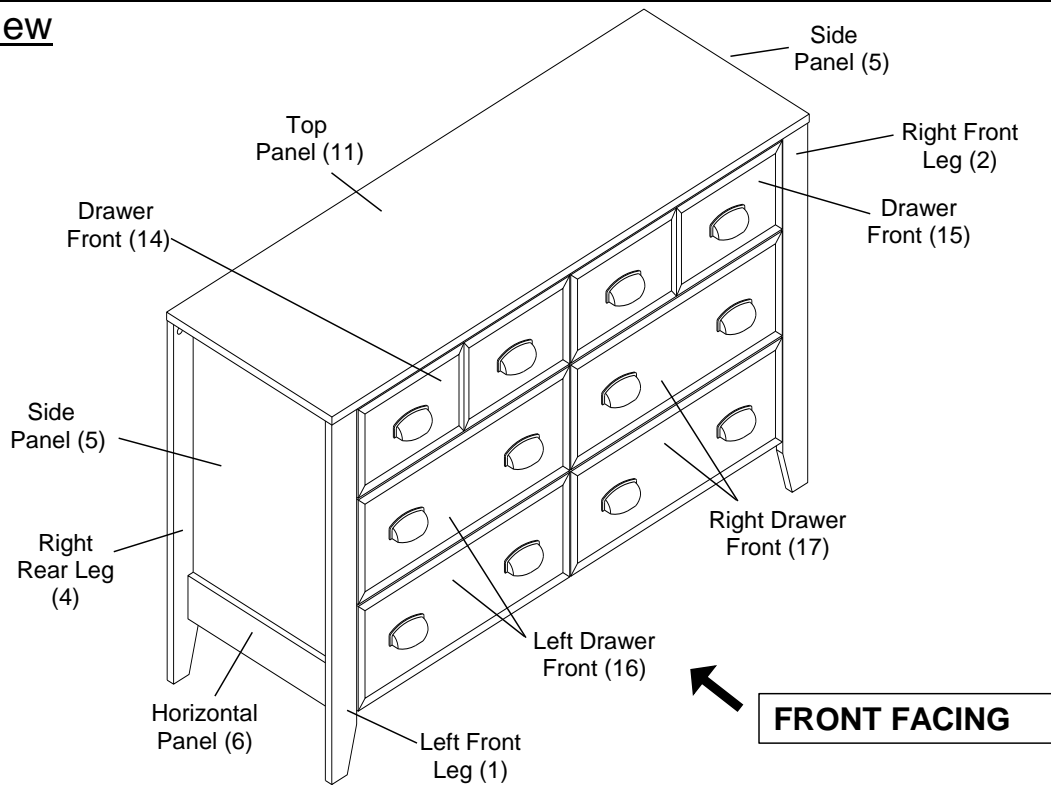
Before Beginning Assembly:



-  • Read instructions, cover to cover-
-  • Have 2 adults on hand for assembly-
-  • Do not assemble on flooring or carpet-
-  • Assemble on a clean non-marring surface (packing foam)-
-  • Save all packaging until finished-

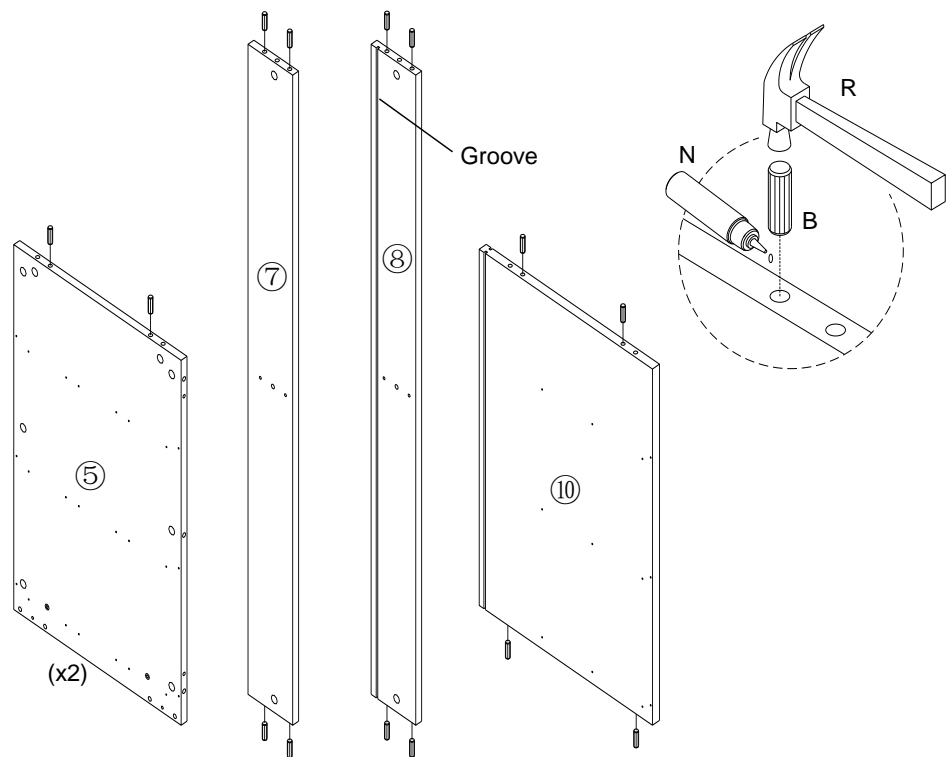
Assembly Steps

Overview



This 6 Drawer Dresser has multiple parts and may require up to 60 minutes to assemble. To give you an overview of the 6 Drawer Dresser parts, the above picture is to help you put the various parts into perspective. Please read through the instructions below to familiarise yourself with the parts and steps before assembly.

Step 1

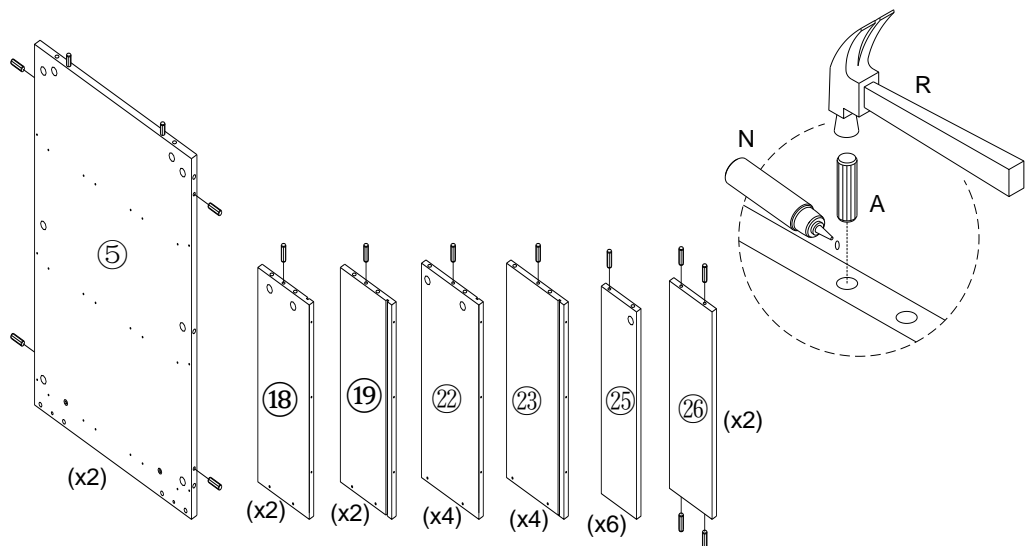


Unpack and place all parts on a clean, non-marring surface.

1.1) Apply Glue (N), and insert Wood Dowels M8x25mm (B) into Side Panel ⑤, Bottom Front Panel ⑦, Bottom Rear Panel ⑧ and Center Panel ⑩ using a hammer (R).

Note: There are pre-existing mounting positions on the Panels to insert Wood Dowel (B).

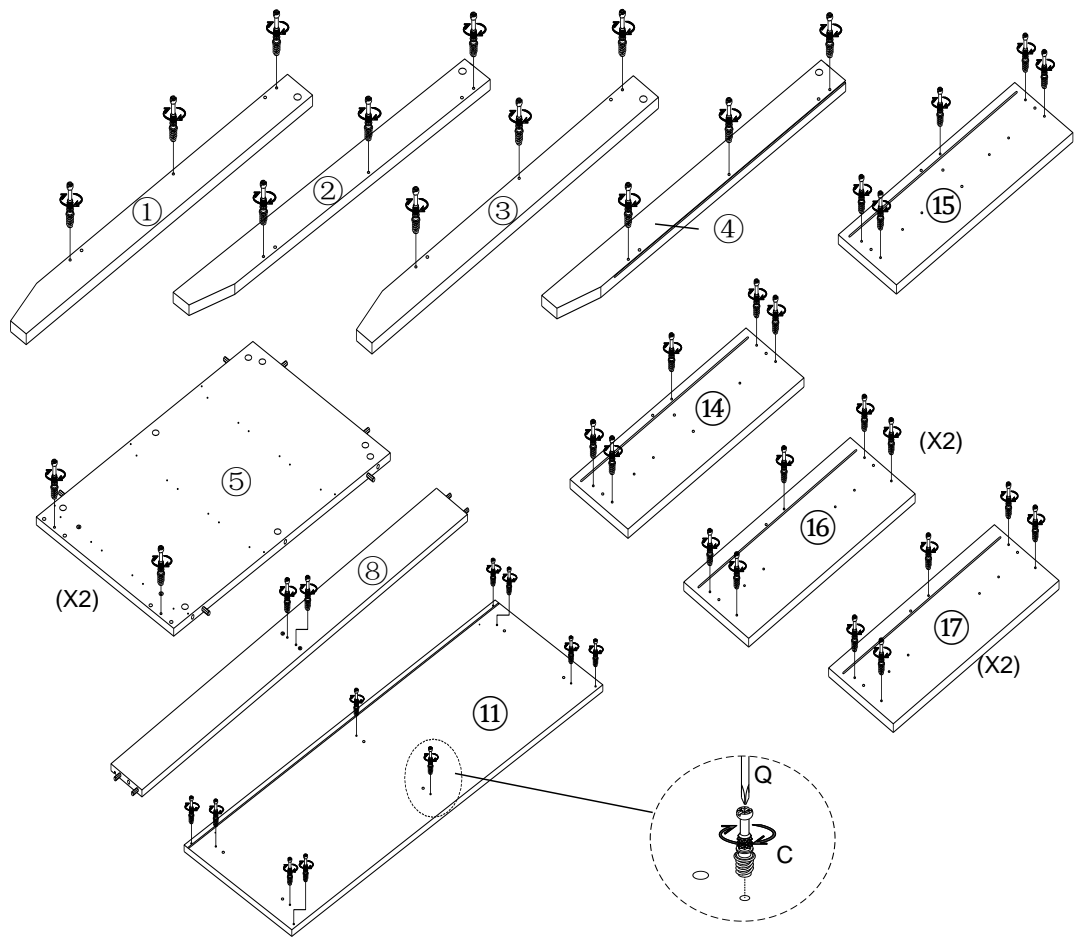
Step 2



2.1) Apply Glue (N), and insert Wood Dowels M6x25mm (A) into Side Panel ⑤, Left Drawer Side Panel ⑱, Right Drawer Side Panel ⑲, Left Drawer Side Panel ㉒, Right Drawer Side Panel ㉓, Drawer Support ㉕ and the Drawer Divider ㉖ using the hammer (R).

Note: There are pre-existing mounting positions on the Panels to insert the Wood Dowels (A).

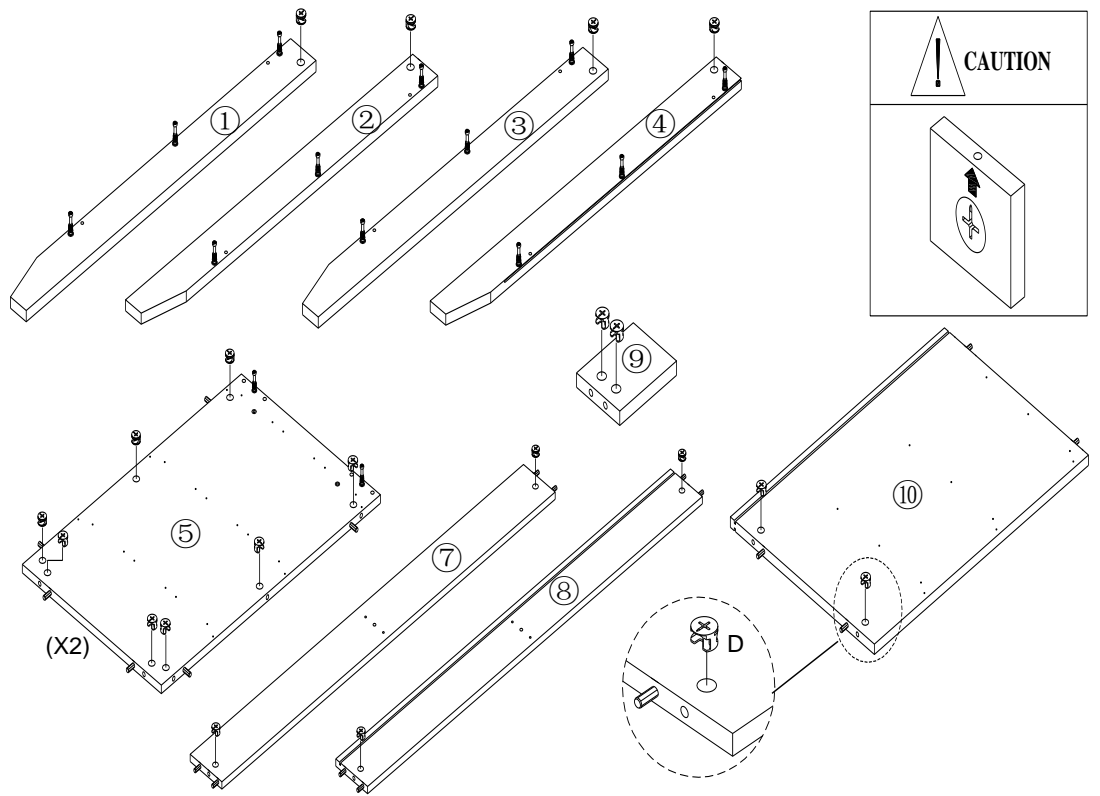
Step 3



3.1) Insert Cam Bolts (C) into the mounting positions on Left Front Leg ①, Right Front Leg ②, Right Rear Leg ③, Left Rear Leg ④, Side Panel ⑤, Bottom Rear Panel ⑧, Top Panel ⑪, Left Drawer Front ⑭, Right Drawer Front ⑮, Left Drawer Front ⑯, and Right Drawer Front ⑰ using a screwdriver (Q).

Note: There are pre-existing mounting positions on the Panels to insert the Cam Bolts (C).

Step 4

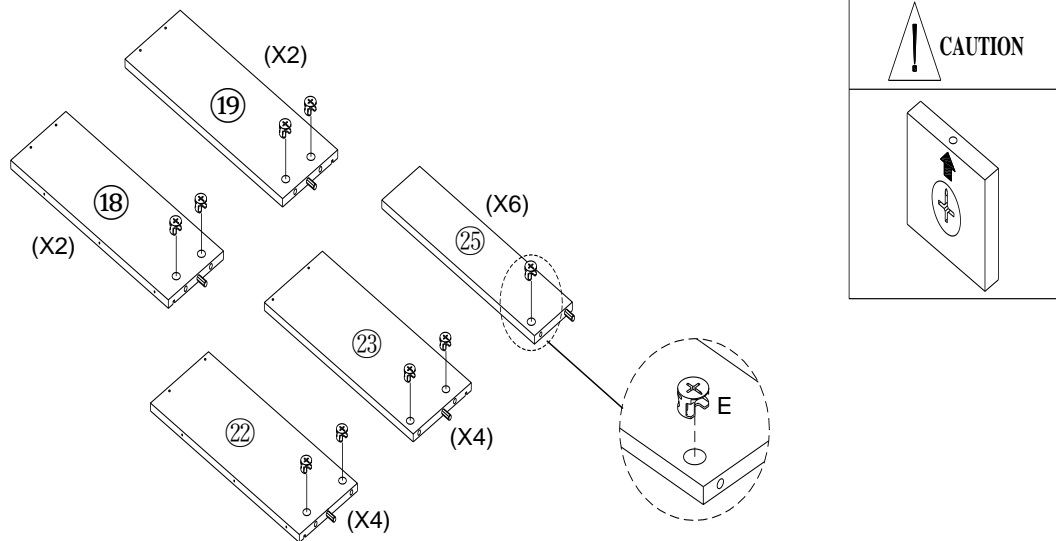


4.1) Insert Cam Locks (D) into the mounting positions on Left Front Leg ①, Right Front Leg ②, Right Rear Leg ③, Left Rear Leg ④, Side Panel ⑤, Bottom Front Panel ⑦, Bottom Rear Panel ⑧, Support Panel ⑨ and Center Panel ⑩.

CAUTION: Insert Cam Locks (D) per the correct orientation as indicated in the above picture.

Note: There are pre-existing mounting positions on the Panels to insert the Cam Locks (D).

Step 5

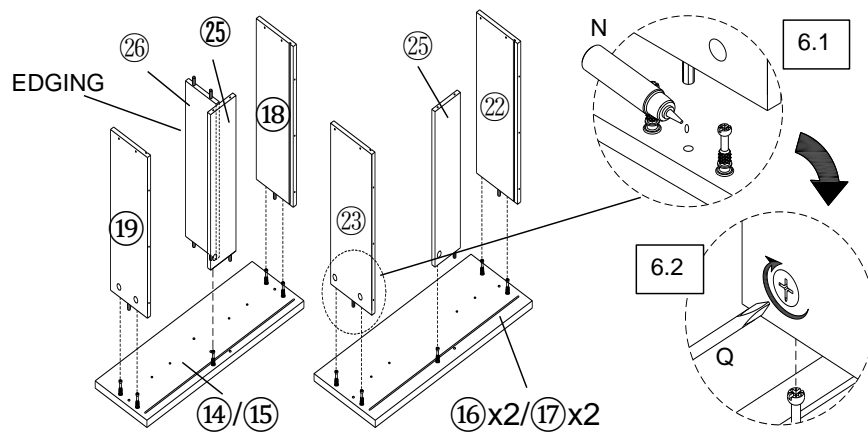


5.1) Insert Cam Locks (E) into the mounting positions on Left Drawer Side Panel (18), Right Drawer Side Panel (19), Left Drawer Side Panel (22), Right Drawer Side Panel (23) and Drawer Support (25).

CAUTION: Insert the Cam Locks (E) per the correct orientation as indicated in the above picture.

Note: There are pre-existing mounting positions on the Panels to insert the Cam Locks (E).

Step 6



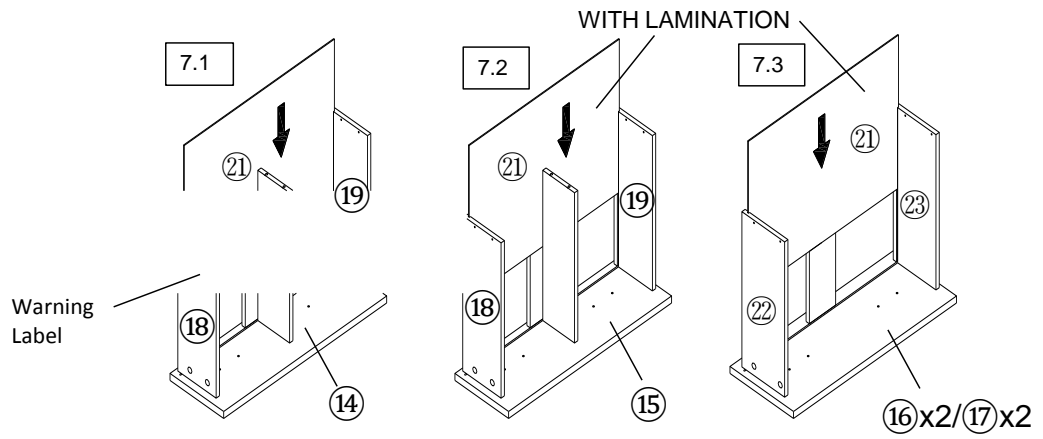
6.1) Apply Glue (N) into the dowel mounting positions on Left Drawer Front (14), Right Drawer Front (15), Left Drawer Front (16), and Right Drawer Front (17).

Attach Left Drawer Side Panel (18), Right Drawer Side Panel (19), Drawer Support (25) and Drawer Divider (26) to Left Drawer Front (14)/ Right Drawer Front (15).

Attach Left Drawer Side Panel (22), Right Drawer Side Panel (23) and Drawer Support (25) to Left Drawer Front (16)/ Right Drawer Front (17).

6.2) Turn the Cam Locks (E) clockwise with the screwdriver (Q) until they all lock into place.

Step 7



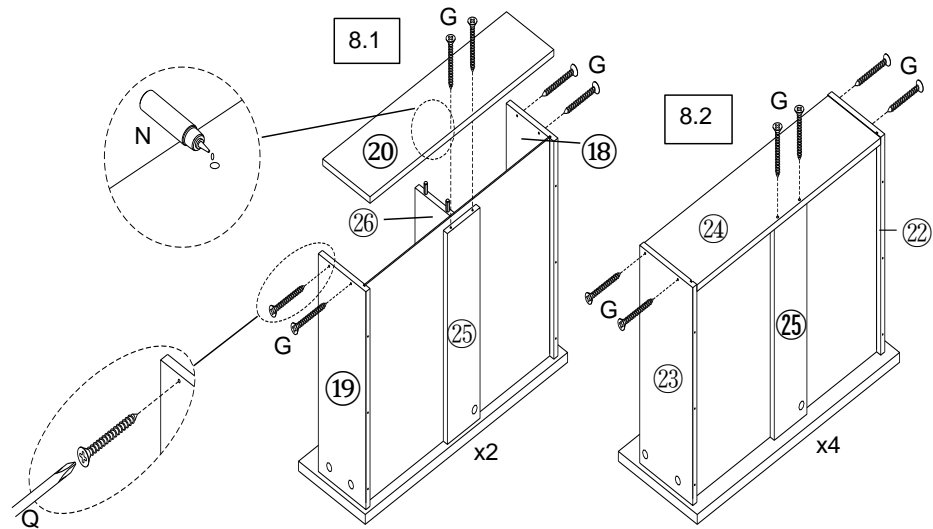
7.1) Insert Drawer Panel (21) along the grooves on Left Drawer Front (14), Left Drawer Side Panel (18) and Right Drawer Side Panel (19).

7.2) Insert Drawer Panel (21) along the grooves on Right Drawer Front (15), Left Drawer Side Panel (18) and Right Drawer Side Panel (19).

7.3) Insert Drawer Panel (21) along the grooves on Left Drawer Front (16)/ Right Drawer Front (17), Left Drawer Side Panel (22) and Right Drawer Side Panel (23).

Tips: To ensure the Drawer Panels (21) are in the correct position: Insert the panels with the warning label facing down.

Step 8

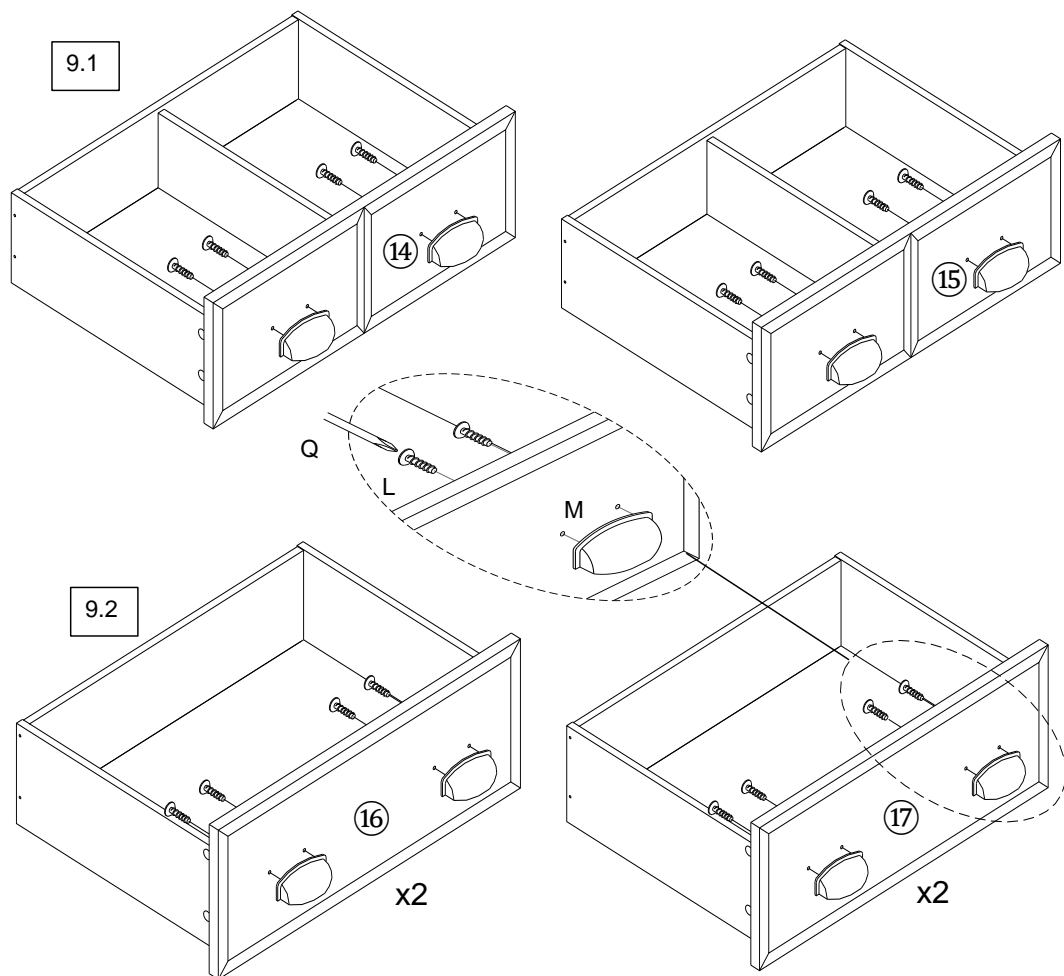


8.1) Apply Glue (N) into the dowel mounting positions on Drawer Back Panel (20). Attach Drawer Back Panel (20) using Screws M4.5 x 38mm (G) and the screwdriver (Q).

8.2) Attach Drawer Back Panel (24) using Screws M4.5 x 38mm (G) and the screwdriver (Q).

Note: There are pre-existing mounting positions on the Panels for the screws M4.5 x 38mm (G).

Step 9



9.1) Attach the Handles (M) to Left Drawer Front (14) and Right Drawer Front (15) using Truss Head Screws

M4 x 12mm (L) and the Screwdriver (Q).

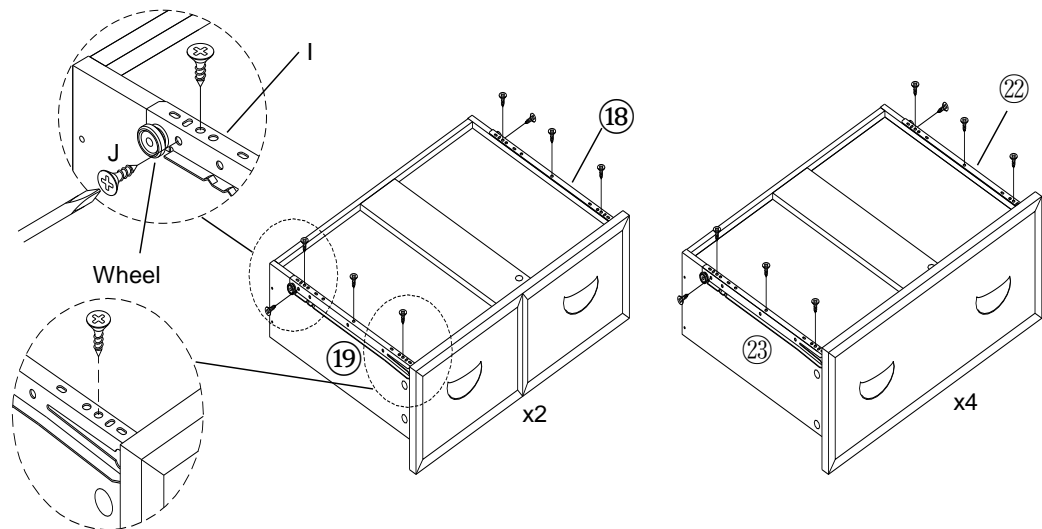
9.2) Attach the Handles (M) to Left Drawer Front (16) and Right Drawer Front (17) using Truss Head Screws

M4 x 12mm (L) and the Screwdriver (Q).

Tighten the Screws fully in a sequential manner.

Note: There are pre-existing mounting positions on the Panels to attach the Handles (M).

Step 10

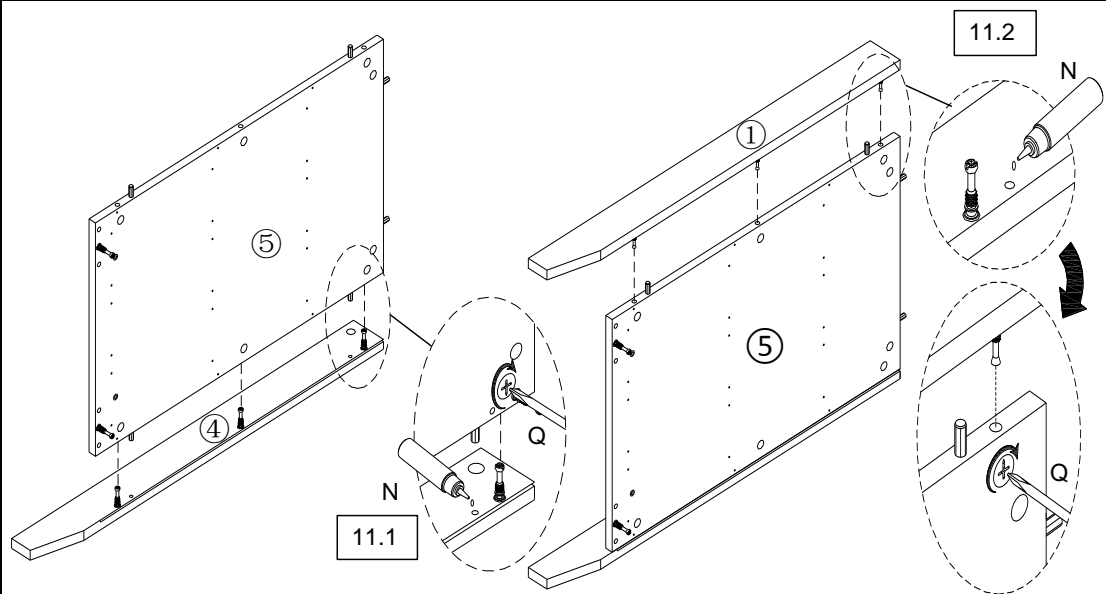


10.1) Attach the Slide Left (I) onto the Left Drawer Side panel (18) and the Slide Right (I) to the Right Drawer Side panel (19) using Screws M4 x 12mm (J) and the screwdriver (Q). Repeat the steps to attach Slides to the Left Drawer Side panel (22) and the Right Drawer Side panel (23).

Caution: Ensure the Drawer Rail (I) touches the Drawer Front Panels.

Note: There are pre-existing mounting positions on the Panels to attach the Drawer Slides (I).

Step 11



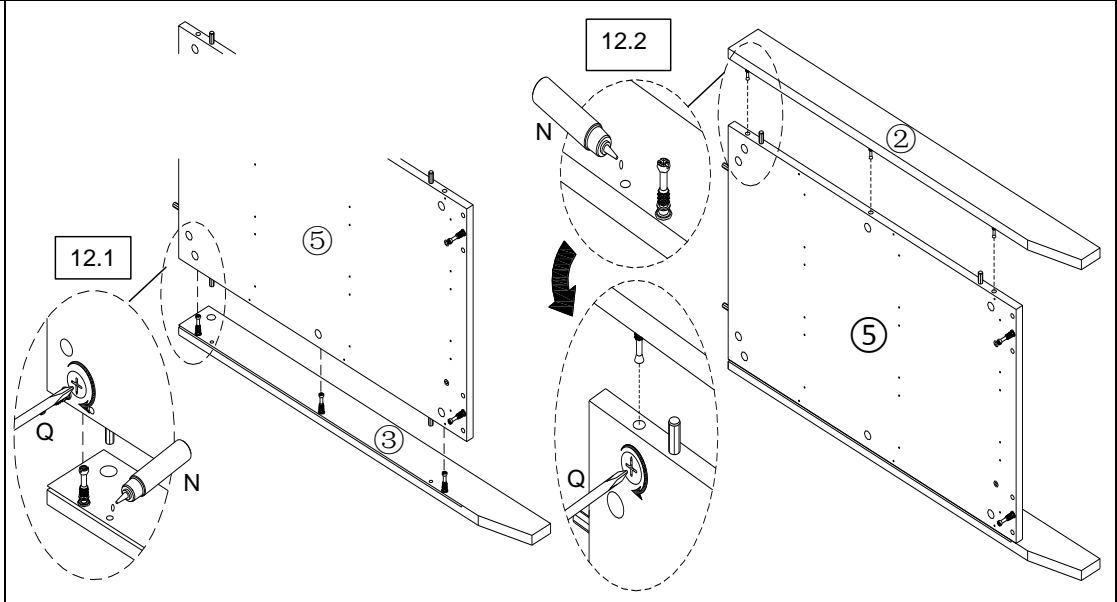
11.1) Apply Glue (N) into the dowel mounting positions on the Left Rear Leg (4). Attach the Side Panel (5) to the Left Rear Leg (4).

Turn the Cam Locks clockwise with screwdriver (Q) until they all lock into place.

11.2) Apply Glue (N) into the dowel mounting positions on the Left Front Leg (1). Attach the Left Front Leg (1) to the Side Panel (5).

Turn the Cam Locks (D) clockwise with screwdriver (Q) until they all lock into place.

Step 12



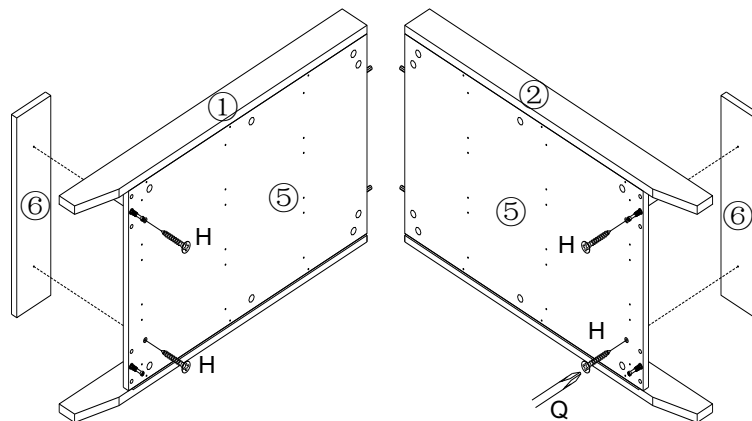
12.1) Apply Glue (N) into the dowel mounting positions on the Right Rear Leg (3). Attach the Side Panel (5) to the Right Rear Leg (3).

Turn the Cam Locks clockwise with screwdriver (Q) until they all lock into place.

12.2) Apply Glue (N) into the dowel mounting positions on the Right Front Leg (2). Attach the Right Front Leg (2) to the Side Panel (5).

Turn the Cam Locks (D) clockwise with screwdriver (Q) until they all lock into place.

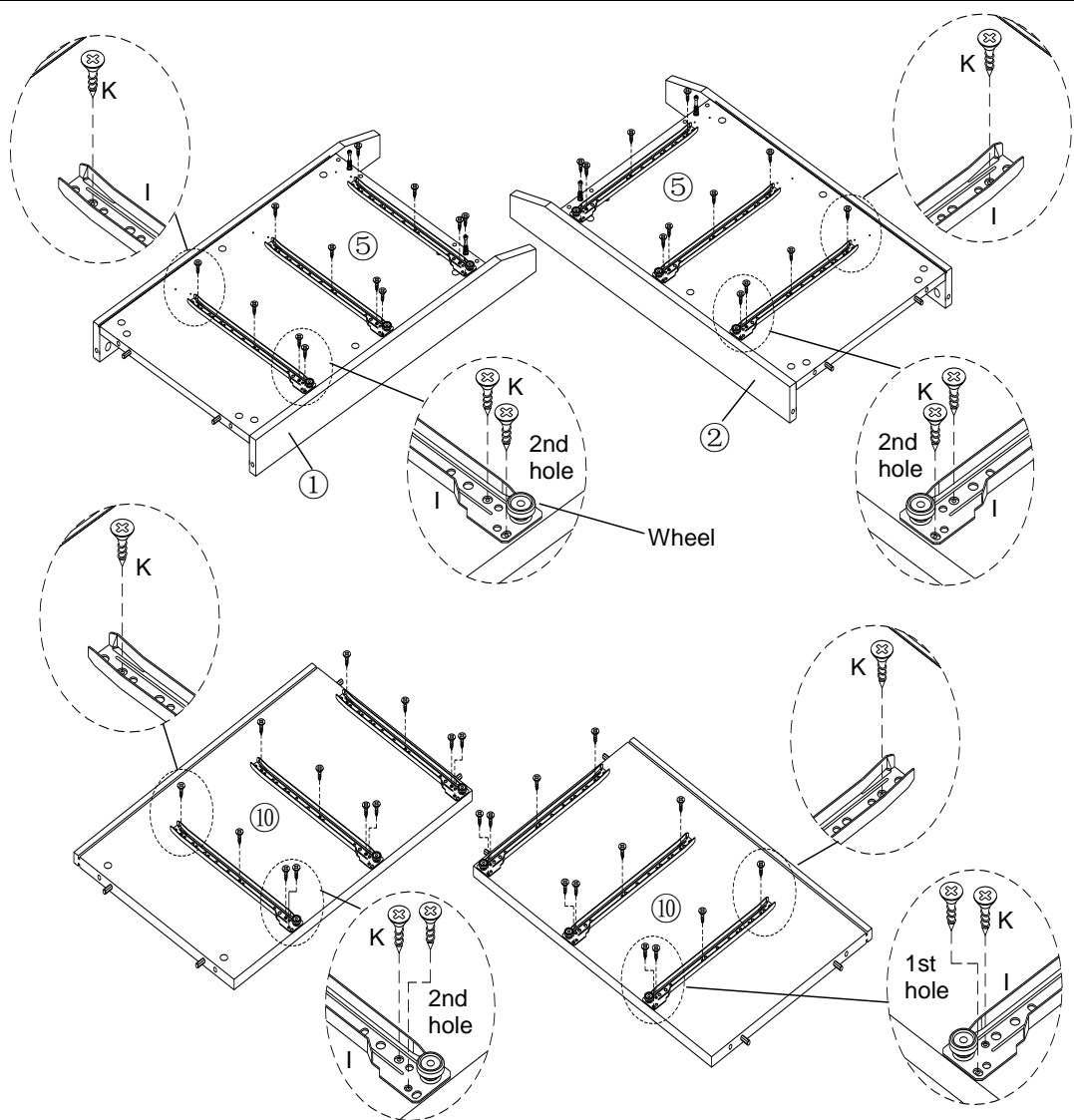
Step 13



13.1) Attach the Horizontal Panel (6) to Side Panel (5) using Screws M4 x 25mm (H) and the screwdriver (Q).

Note: There are pre-existing mounting positions on the Panel for screws M4 x 25mm (H).

Step 14

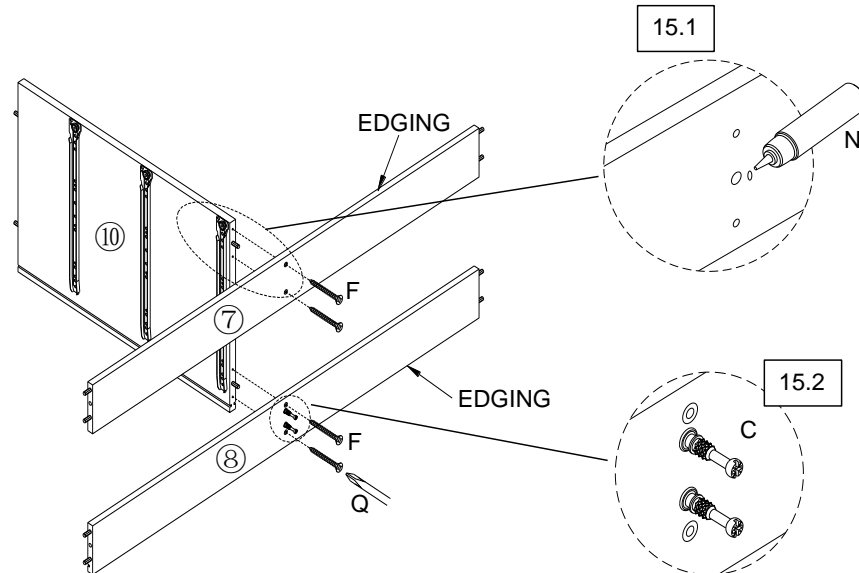


14.1) Attach the Slides (I) into Side Panel (5) and Center Panel (10) using Screws M4 x 14mm (K) and screwdriver (Q).

Tighten the Screws fully in a sequential manner.

Note: There are pre-existing mounting positions on the Panels to attach the Carcass Slide.

Step 15

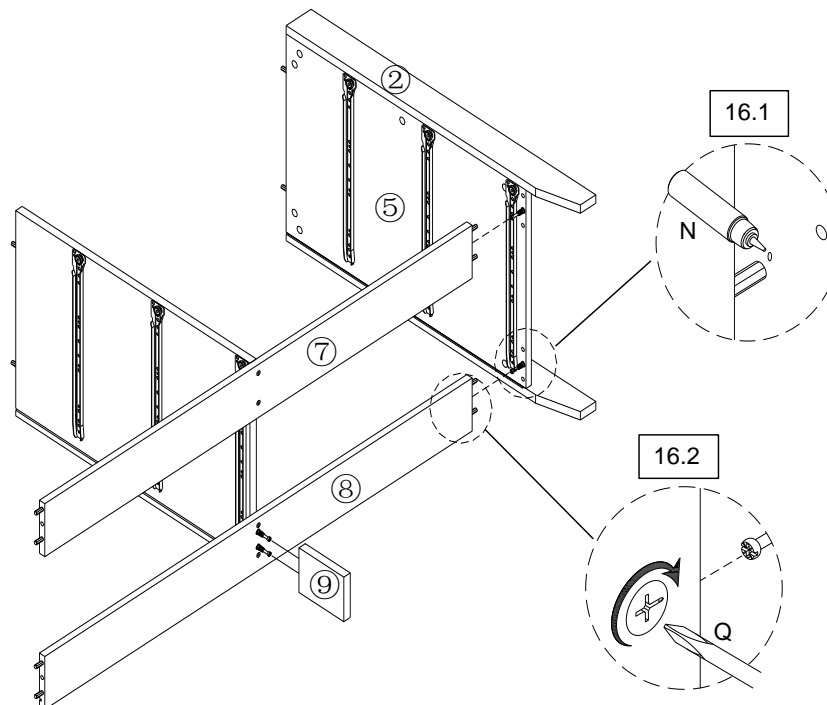


15.1) Apply Glue (N) into the dowel mounting positions on Bottom Front Panel ⑦ and Bottom Rear Panel ⑧.

15.2) Attach Bottom Front Panel ⑦ and Bottom Rear Panel ⑧ to Center Panel ⑩ using screws M4.5 x 50mm (F) and the screwdriver (Q).

Note: There are pre-existing mounting positions on the Panels for the screws M4.5 x 50mm (F).

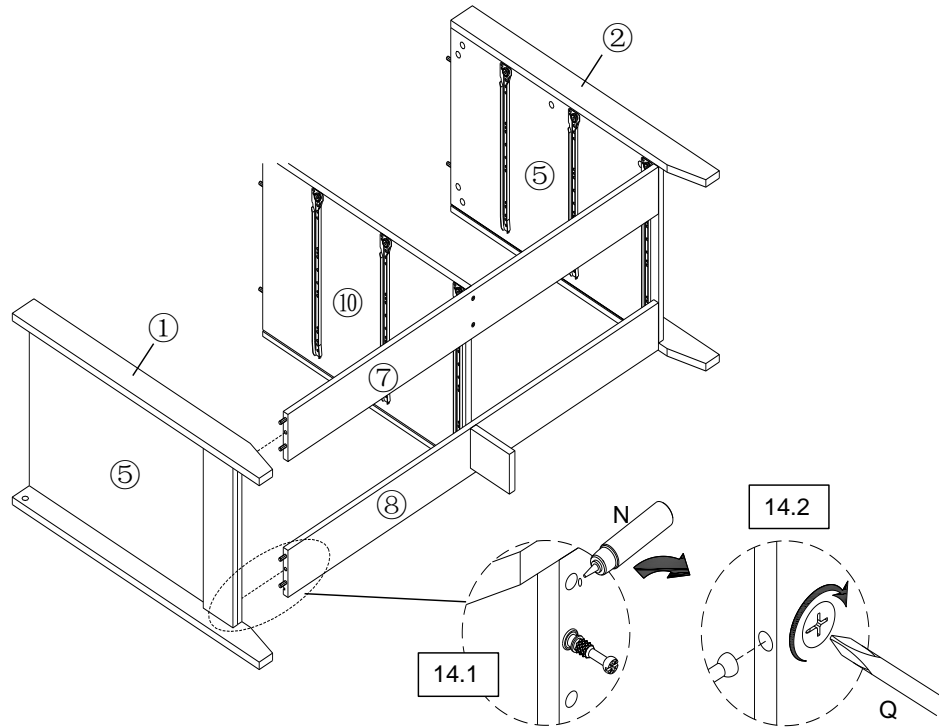
Step 16



16.1) Apply Glue (N) into the dowel mounting positions on Side Panel ⑤. Attach Bottom Front Panel ⑦ and Bottom Rear Panel ⑧ to Side Panel ⑤, and Support Panel ⑨ to Bottom Rear Panel ⑧.

16.2) Turn the Cam Locks (D) clockwise with screwdriver (Q) until they all lock into place.

Step 17

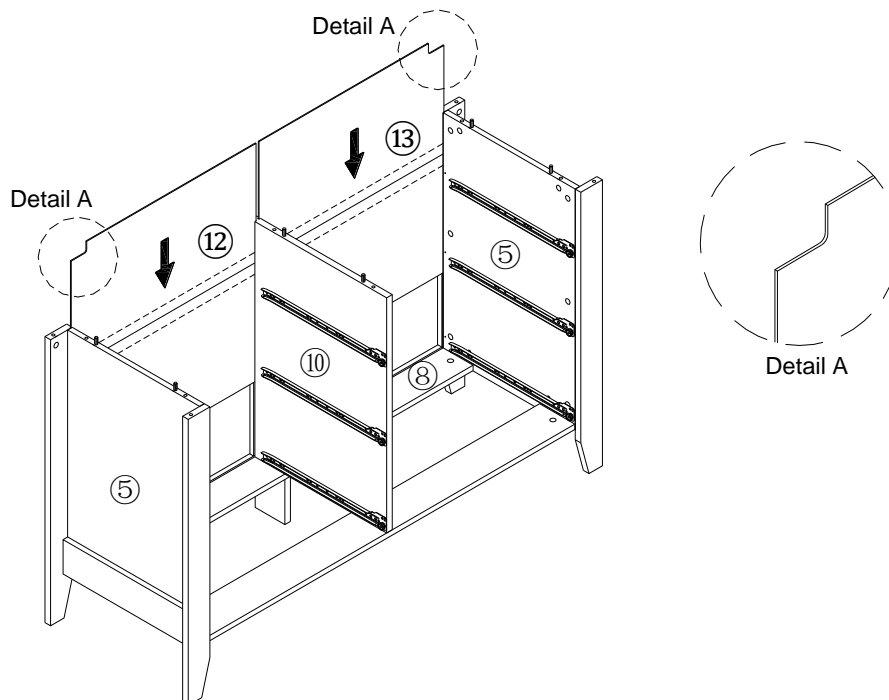


17.1) Apply Glue (N) into the dowel mounting positions on Side Panel (5).

Attach Bottom Front Panel (7) and Bottom Rear Panel (8) to Side Panel (5).

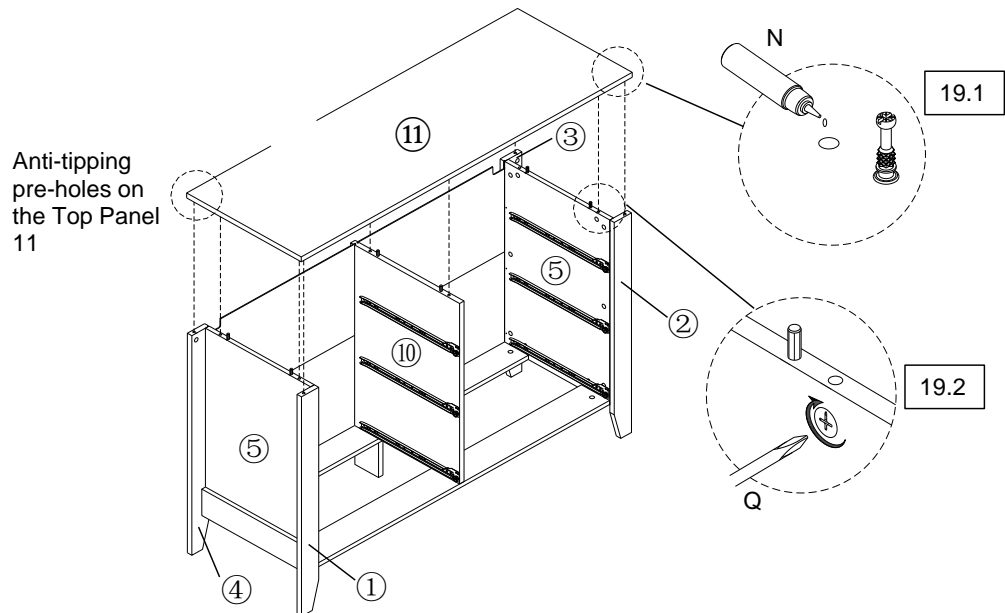
17.2) Turn the Cam Locks (D) clockwise with screwdriver (Q) until they all lock into place.

Step 18



18.1) Insert Left Rear Panel (12) and Right Rear Panel (13) along the grooves on Side Panel (5), Bottom Rear Panel (8) and Center Panel (10).

Step 19



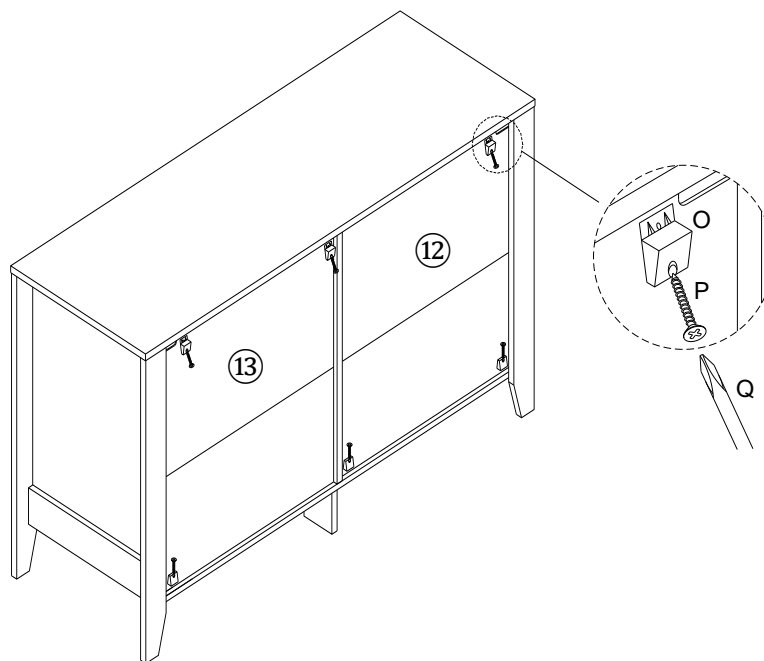
19.1) Apply Glue (N) into the dowel mounting positions on Top Panel ⑪.

Attach Top Panel ⑪ to Side Panel ⑤ and Center Panel ⑩.

19.2) Turn the Cam Locks (D) clockwise with screwdriver (Q) until they all lock into place.

Note: When placing the Top Panel ⑪ please ensure the pre-existing holes are in the back position.

Step 20



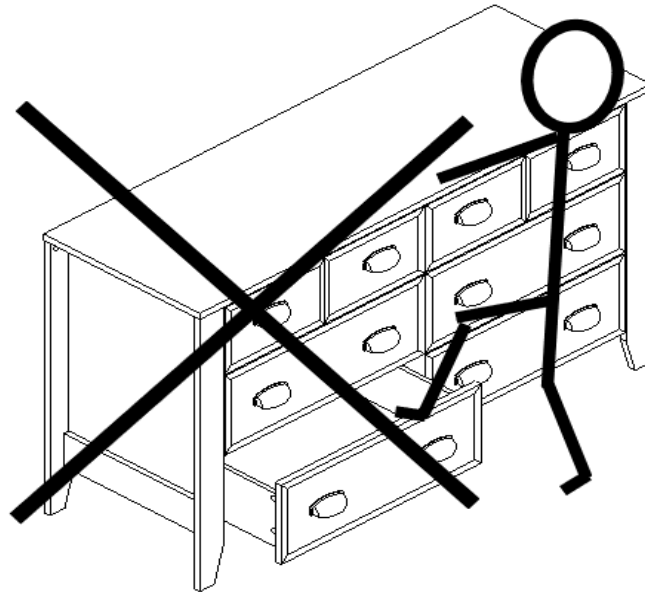
Assemble the Corner Block (O) to the Back Panels using Screws M3 x 20mm (P) and Screwdriver (Q).

Cabinet Restraint Device Installation Instructions



WARNING

Serious or fatal crushing injuries can occur from tipping furniture.
To help prevent tip-over: ALWAYS secure this furniture to the wall using Cabinet Restraint Device.
See product instructions for more ways to help prevent furniture tip-over.

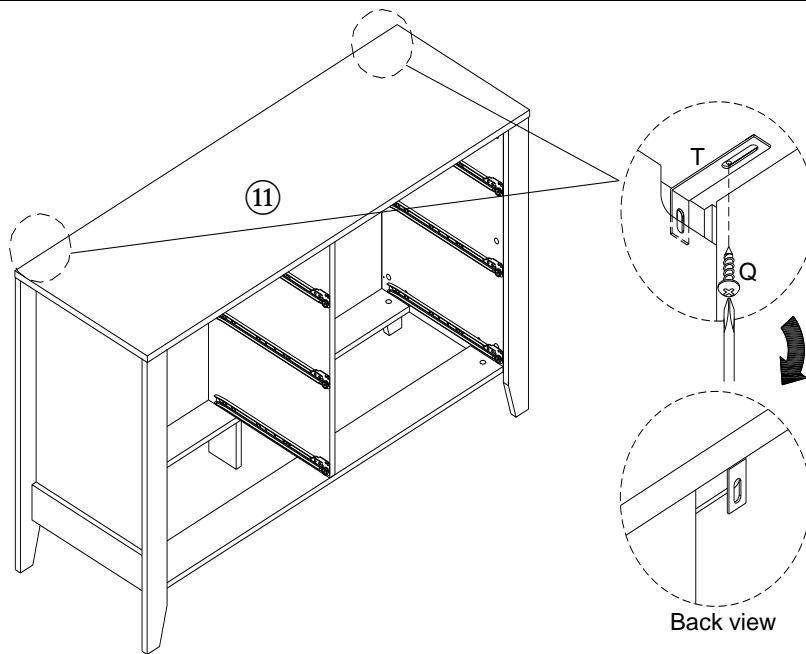


Usage For Restraint Device:

To secure the 6 Drawer Dresser against the wall, attach two Metal Brackets from the Hardware Pack (T) on both the wall and the product, using screws.

Instructions:

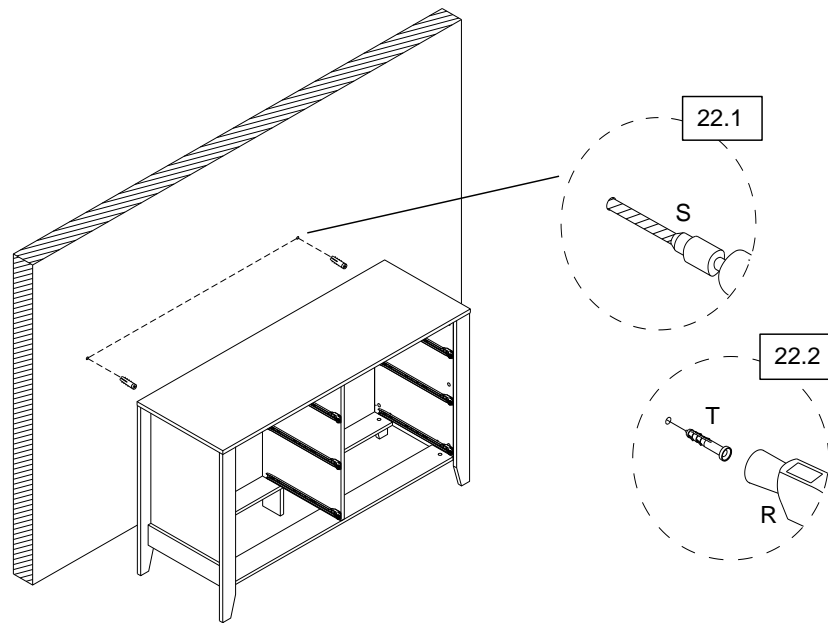
Step 21



Attache the Metal Brackets (T) on the bottom side of the Top Panel ⑪ using screws M3.5 x 12mm (T) and screwdriver (Q).

Note: There are pre-existing mounting positions on the Panel to attach the Metal Brackets (T).

Step 22



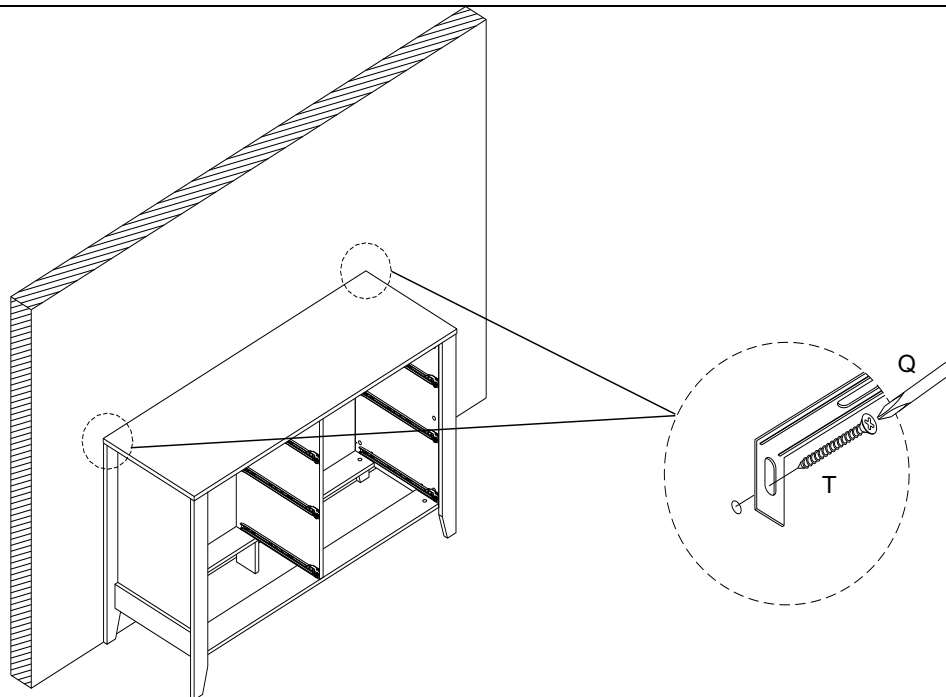
22.1) Drill two holes on the wall at the same height as the Metal Brackets on the 6 Drawer Dresser using a Power Drill (S).

Mark the holes by measuring the height of the Metal Brackets with a ruler/measuring tape and mark on the wall to keep them accurate and at the same height.

Note: The Metal Brackets need to be secured to solid, on a load bearing surface. Please use a Stud Finder (not supplied) if needed to locate the Wall Frame.

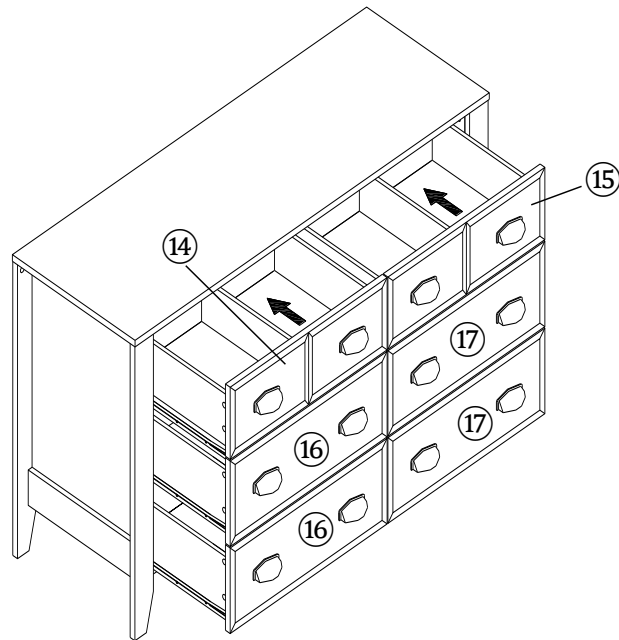
22.2) Insert Wall Plugs (T) into the drilled holes on the wall with Hammer (R).

Step 23



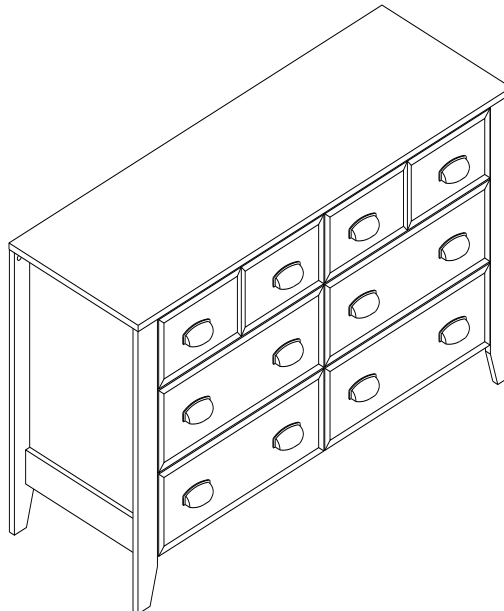
Move the 6 Drawer Dresser to the wall, and secure the 6 Drawer Dresser using Screws M4.5 x 38mm (T) and screwdriver (Q).

Step 24



Insert the Left Drawer Front (14) and Right Drawer Front (15) into the top section, Left Drawer Front (16) and Right Drawer Front (17) into the middle and bottom sections of the 6 Drawer Dresser.

Step 25



Your 6 Drawer Dresser is ready to be used.
This 6 Drawer Dresser can only be used on a flat level surface.

Care & Maintenance



- Furniture may scratch floors. We recommend using furniture pads to protect your floors.



- Do not put hot items directly on furniture surface.



- Do not clean furniture with harsh cleansers or polish.



- Do not place furniture under direct sunlight.



- Do not place furniture near heating or cooling vents.



- Do not write on furniture without a padded barrier to protect the surface.



- Do not place furniture outside . For indoor use only.



- Not for commercial use. For residential use only.



- Stains may be removed with mild soap solution and damp cloth.



- Children should not climb or jump on the furniture.



- Dust and pick-up spills using a clean, non-colored, lint-free cloth.