



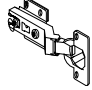
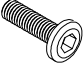
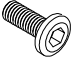


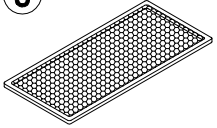
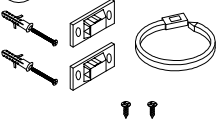
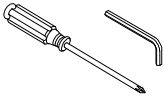
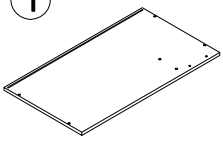
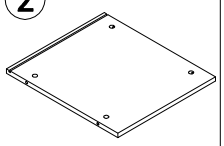
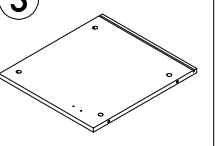
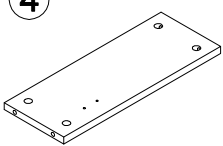
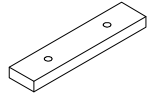
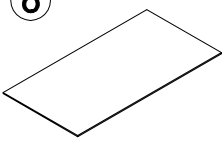
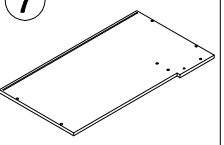
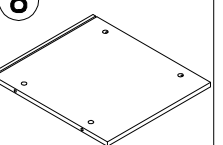
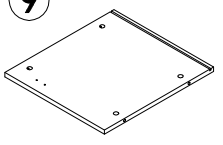
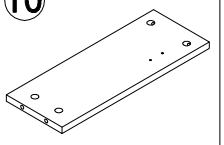
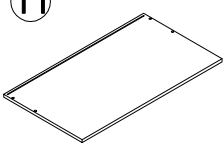
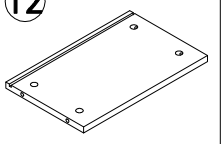
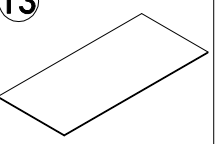
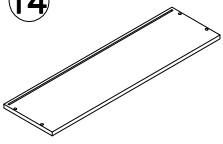
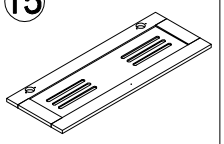


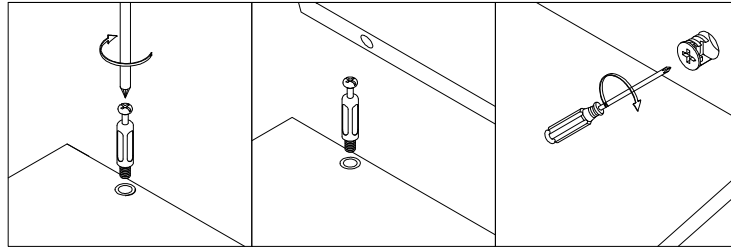
Hardware List

A  32PCS (M6*40)	B  32PCS (ø12*15)	C  34PCS	D  24PCS (M4*12)	E  4PCS
F  4PCS (M6*20)	G  4PCS (M6*16)	H  2PCS	I  4PCS	J  2PCS
K  1PCS		 1PC		

Panel List

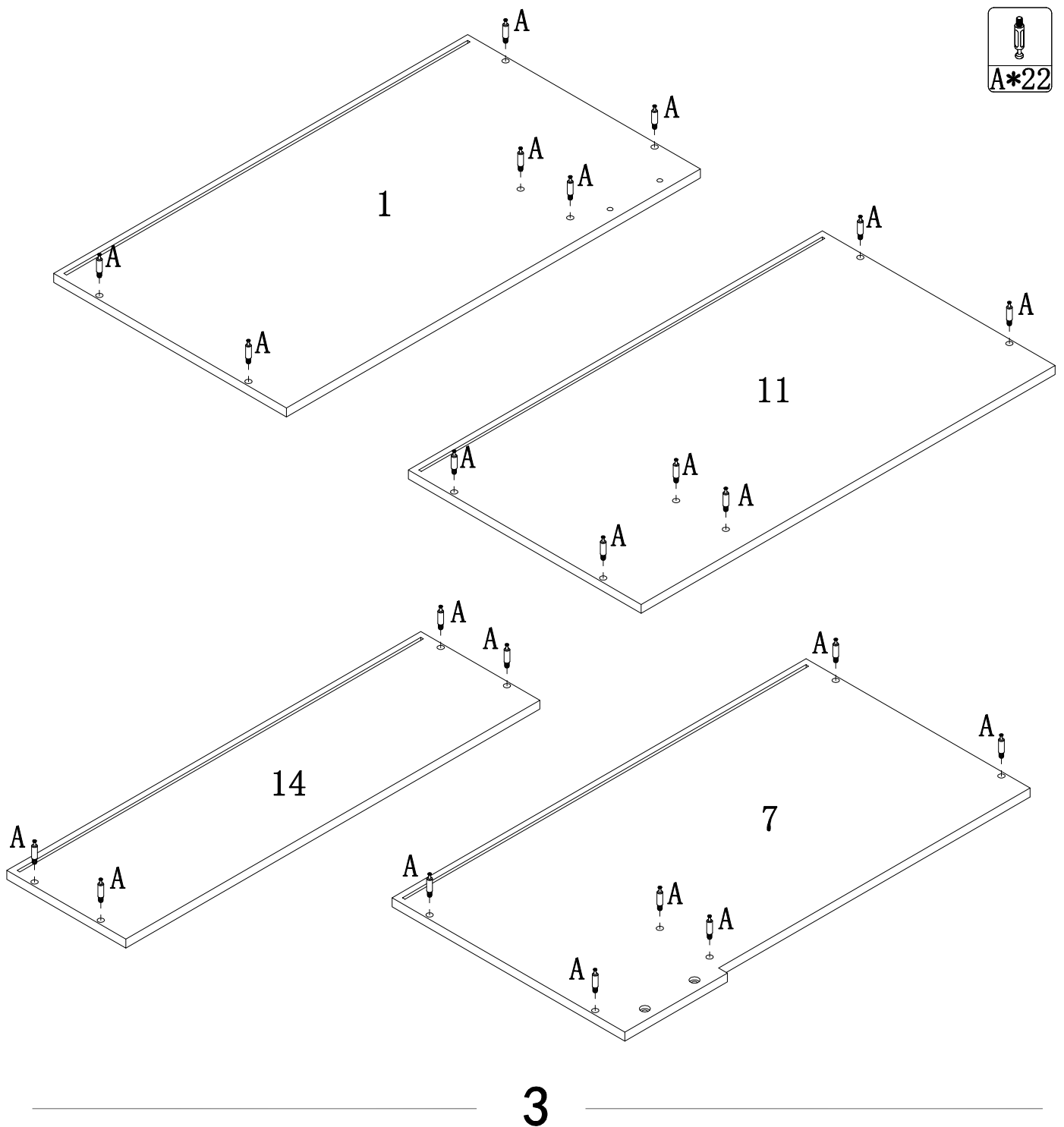
1  1PC	2  1PC	3  1PC	4  1PC	5  2PCS
6  2PCS	7  1PC	8  1PC	9  1PC	10  1PC
11  1PC	12  2PCS	13  1PC	14  1PC	15  2PCS

Assembling the unit with camlocks and wood dowels

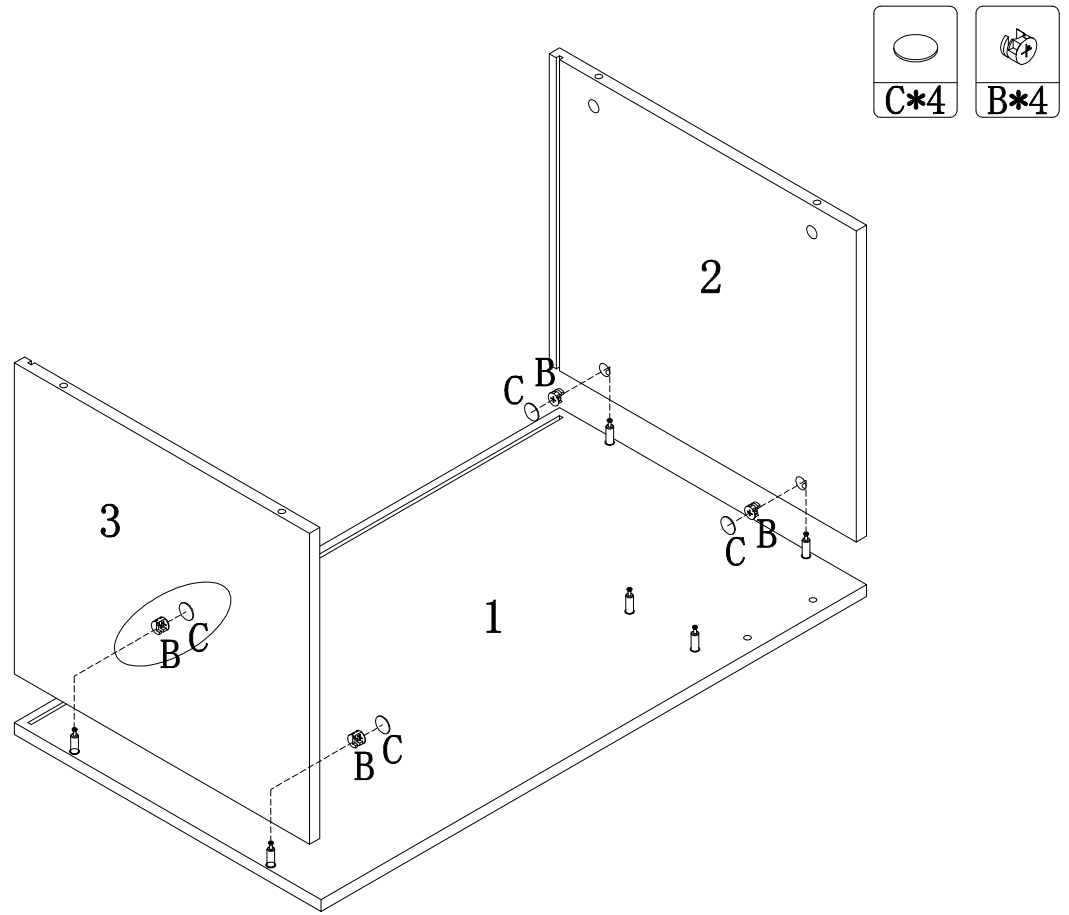


Assembly instructions

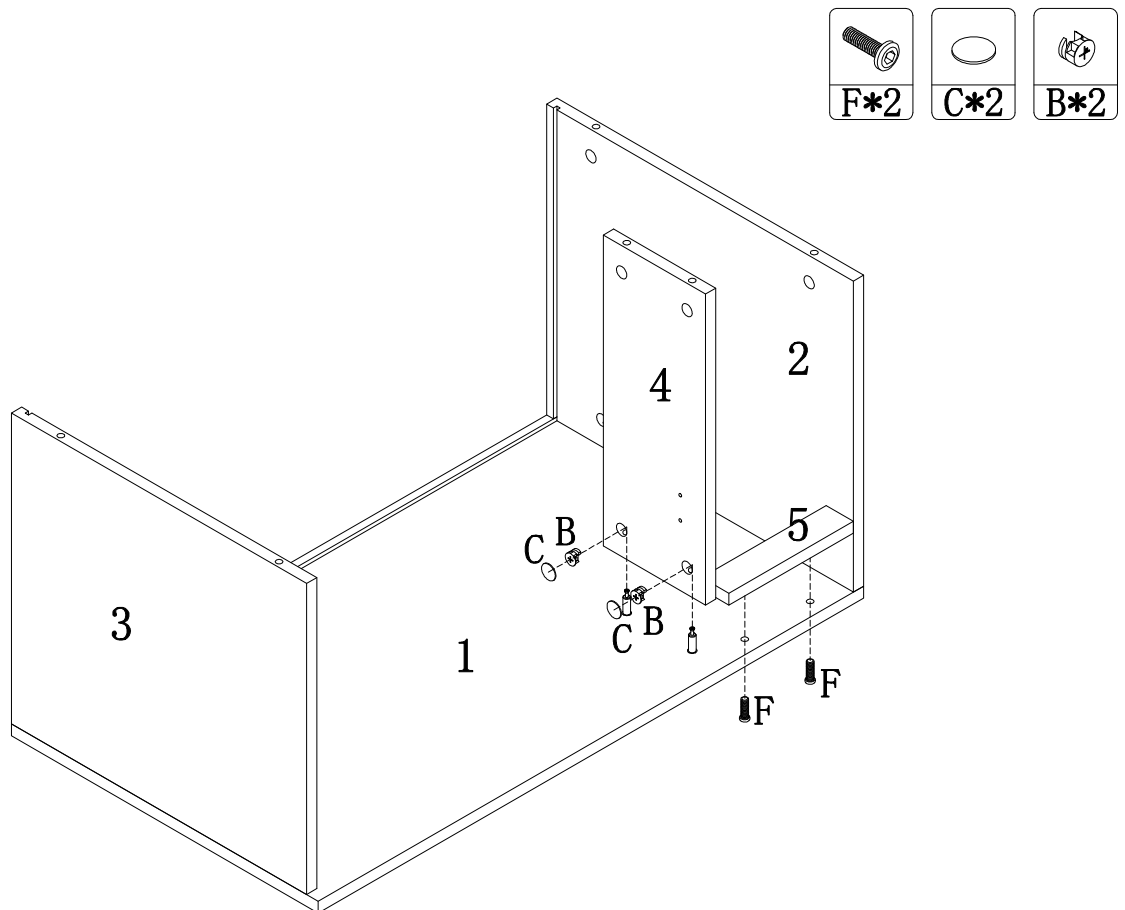
step 1



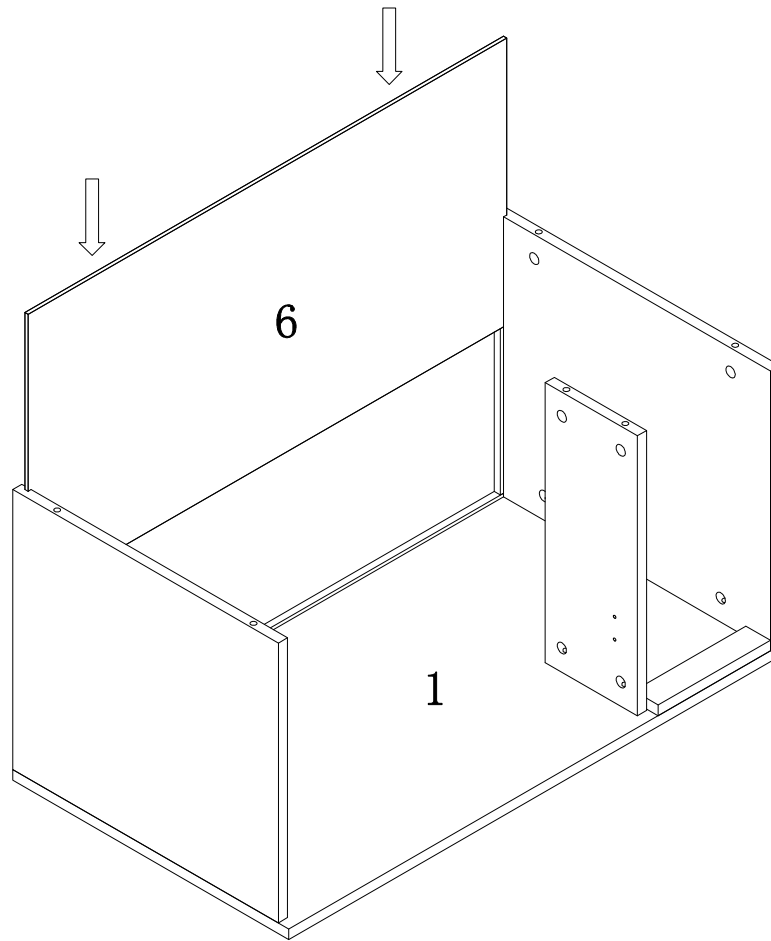
step 2



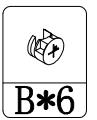
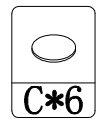
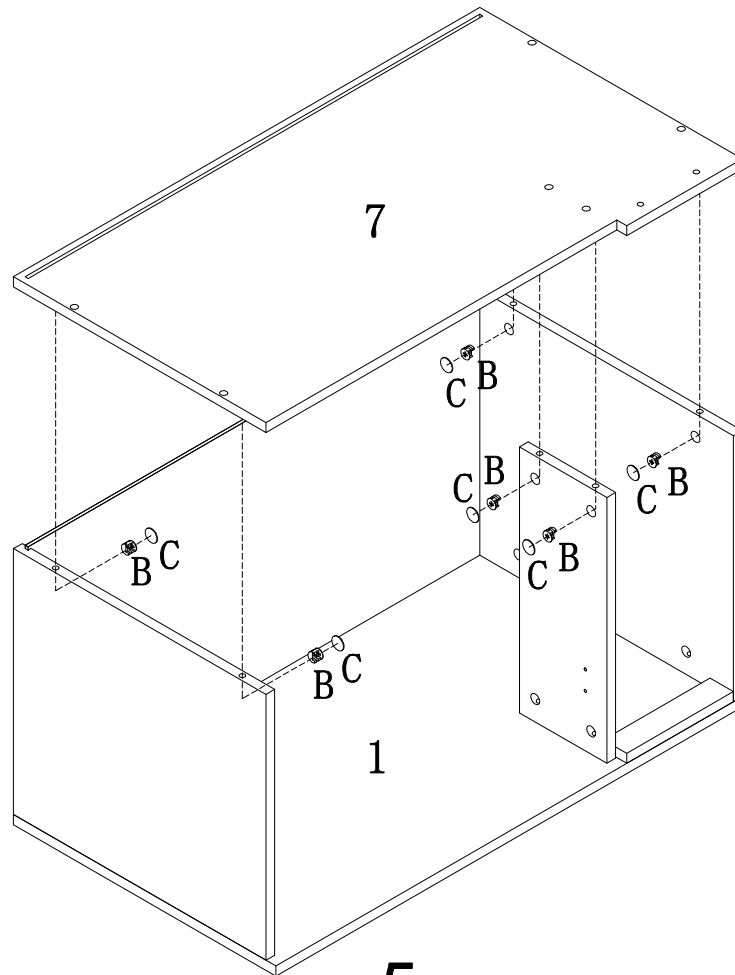
step 3



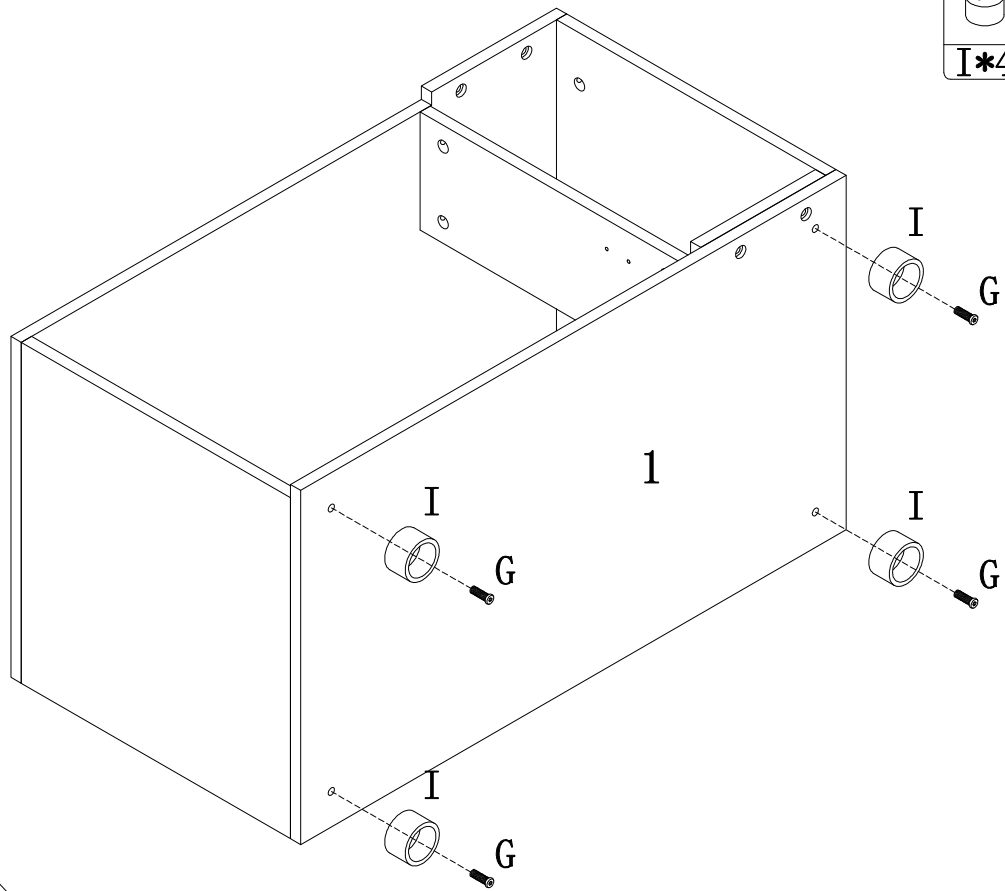
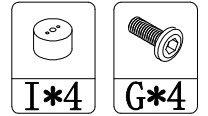
step 4



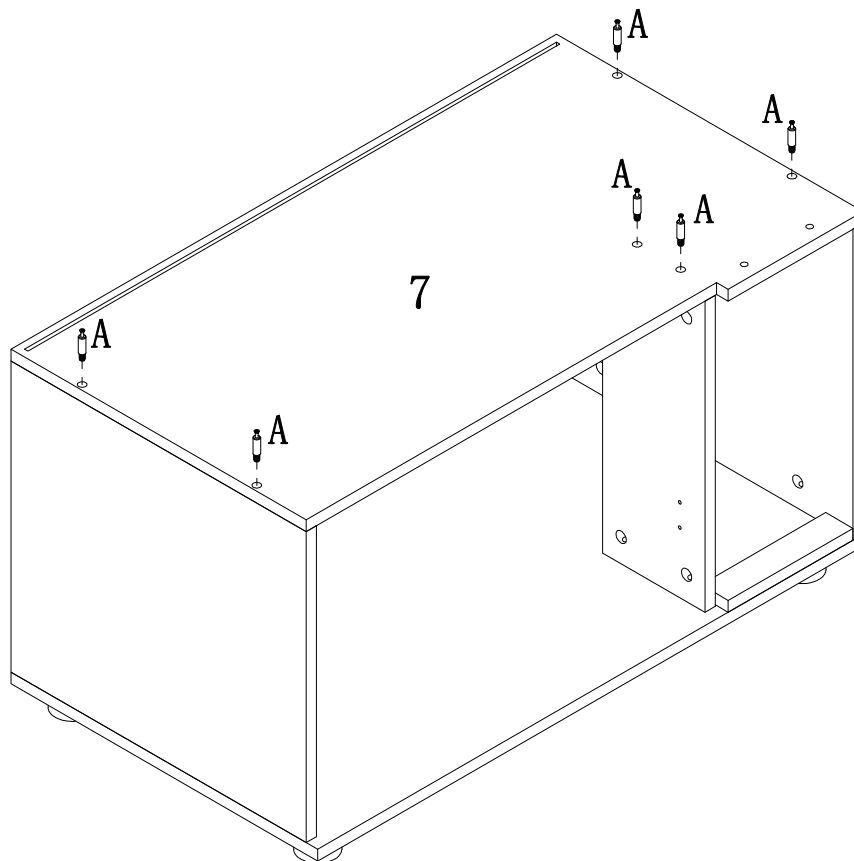
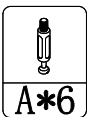
step 5



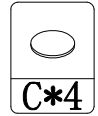
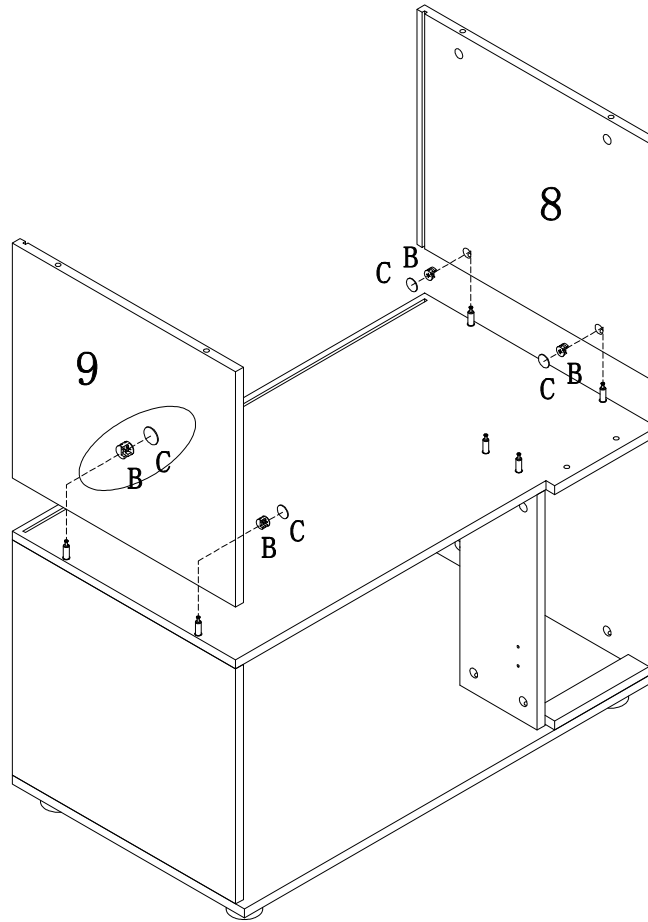
step 6



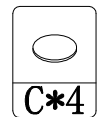
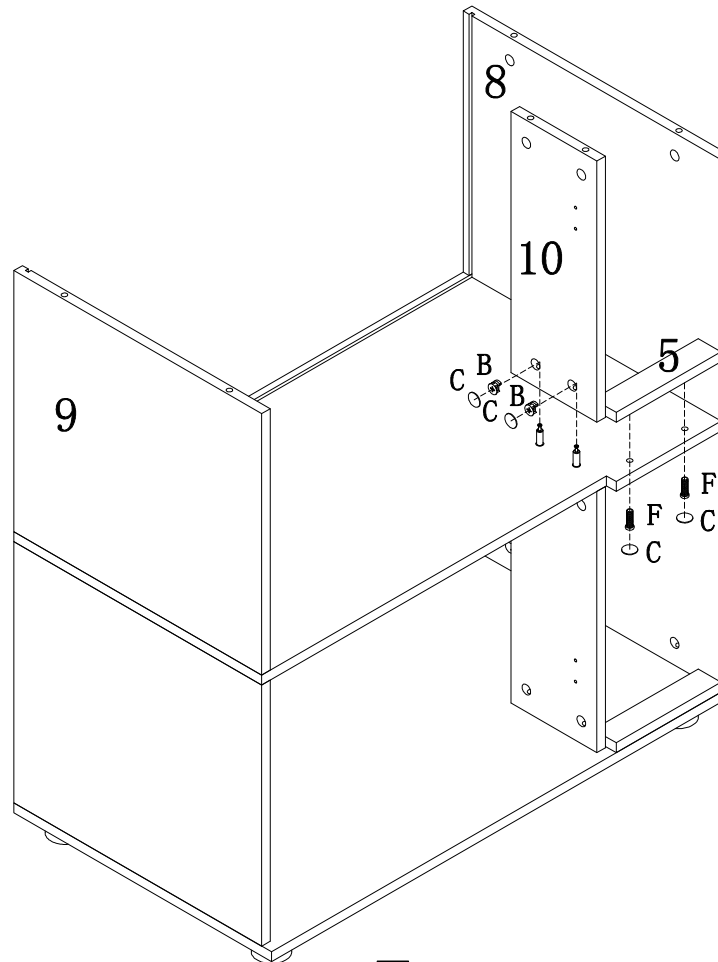
step 7



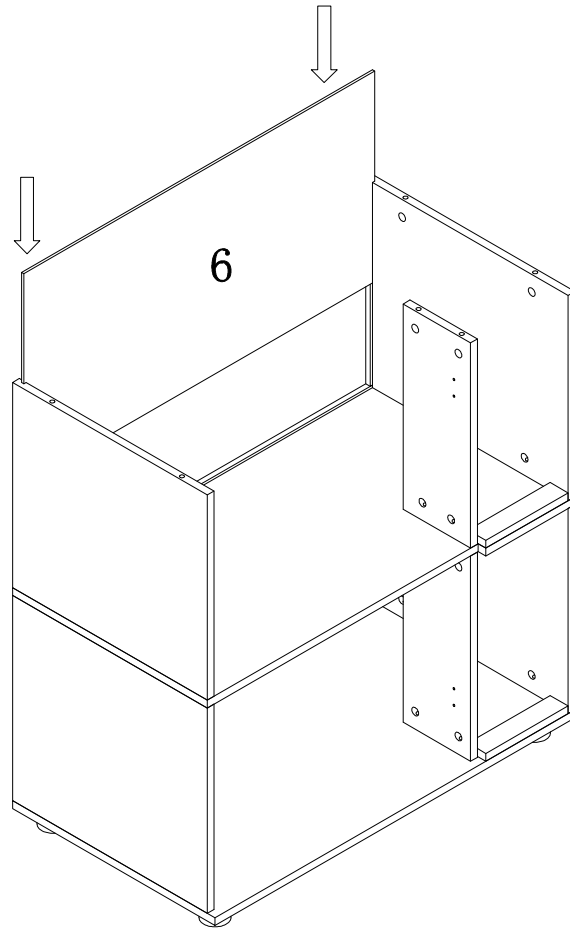
step 8



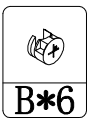
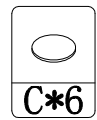
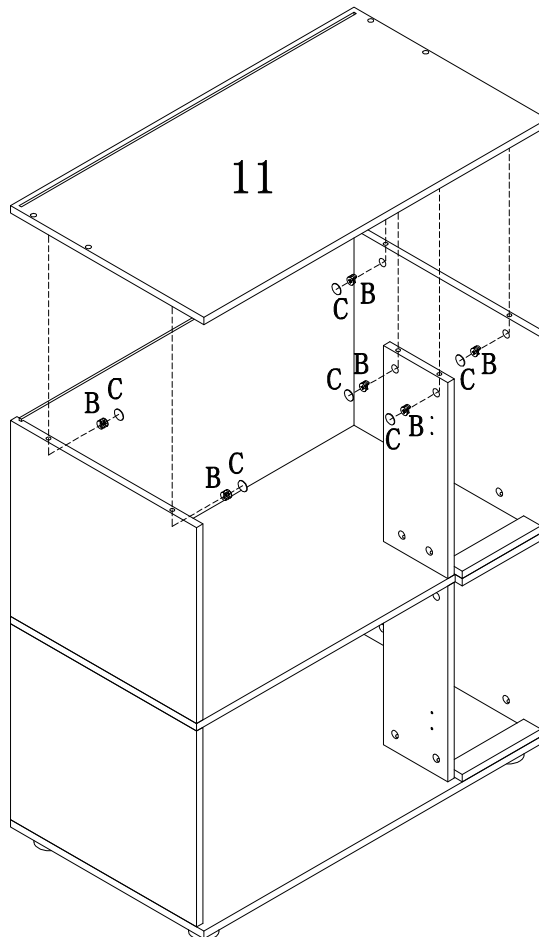
step 9



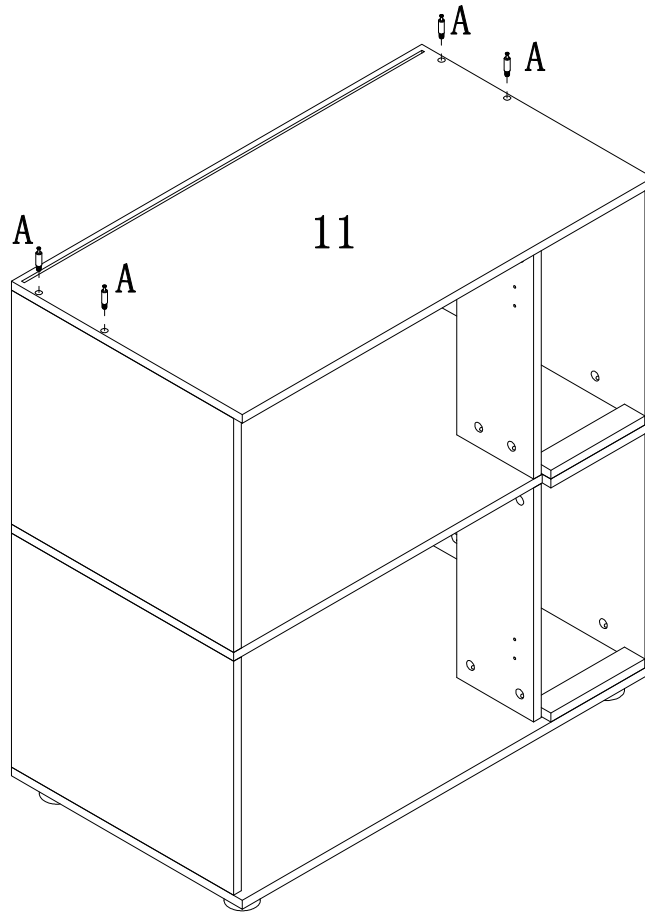
step 10



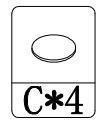
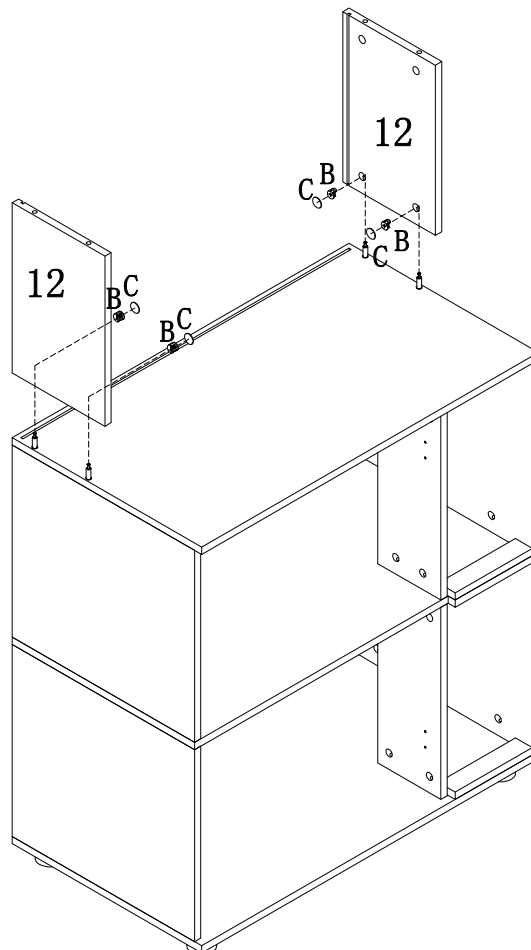
step 11



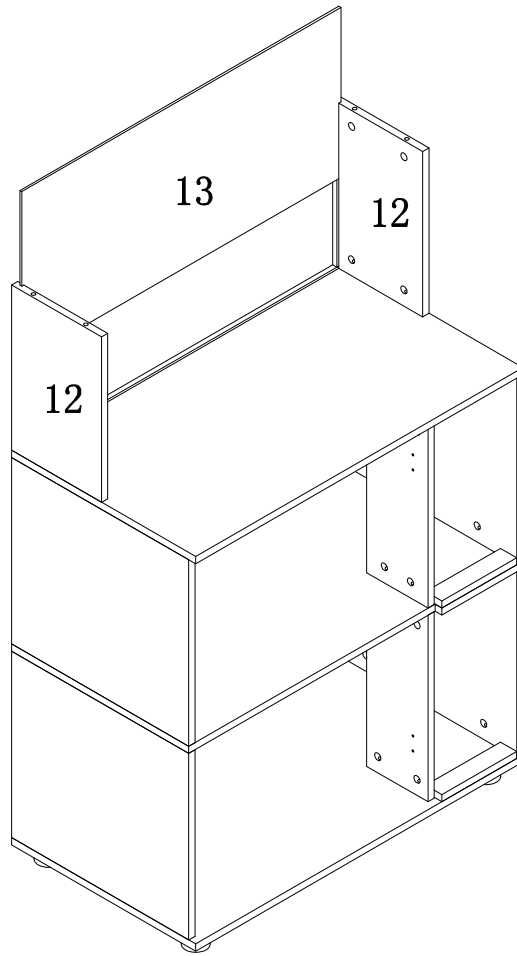
step 12



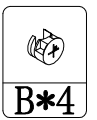
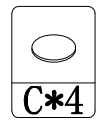
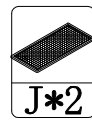
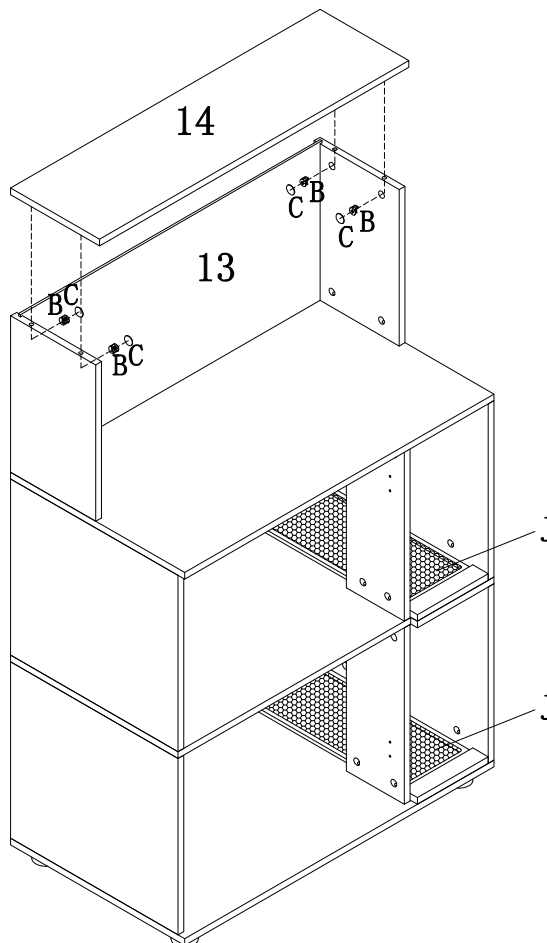
step 13



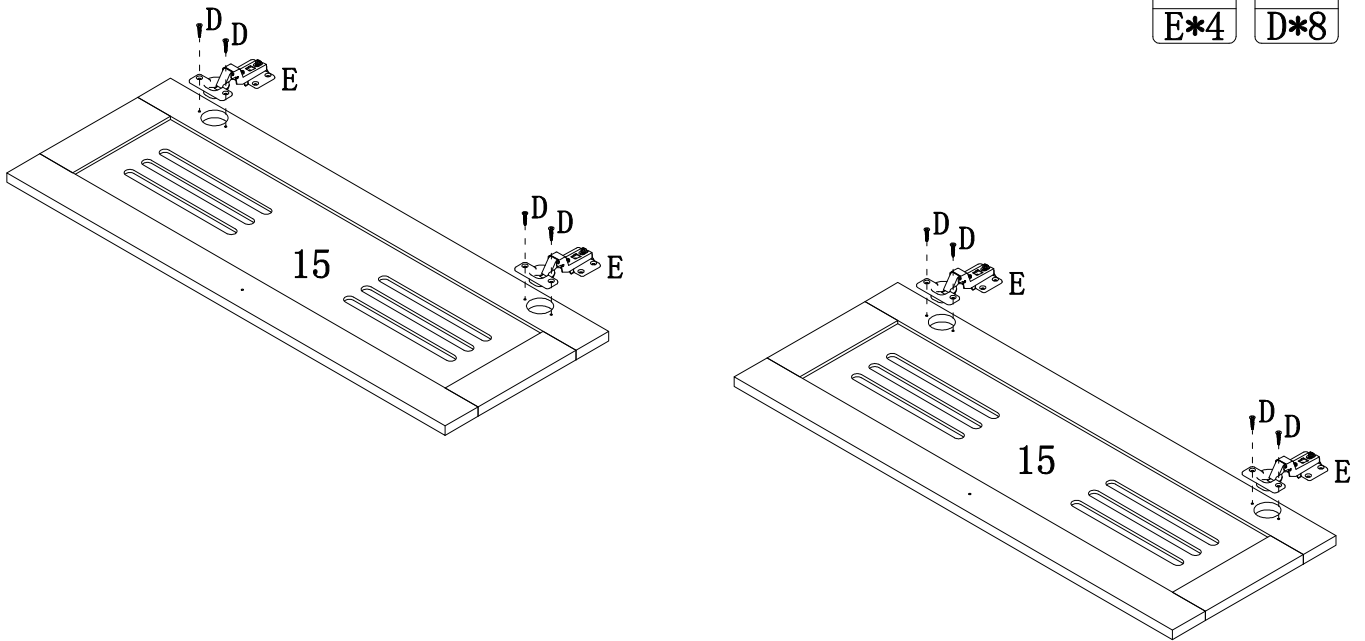
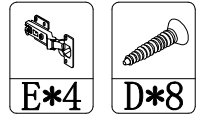
step 14



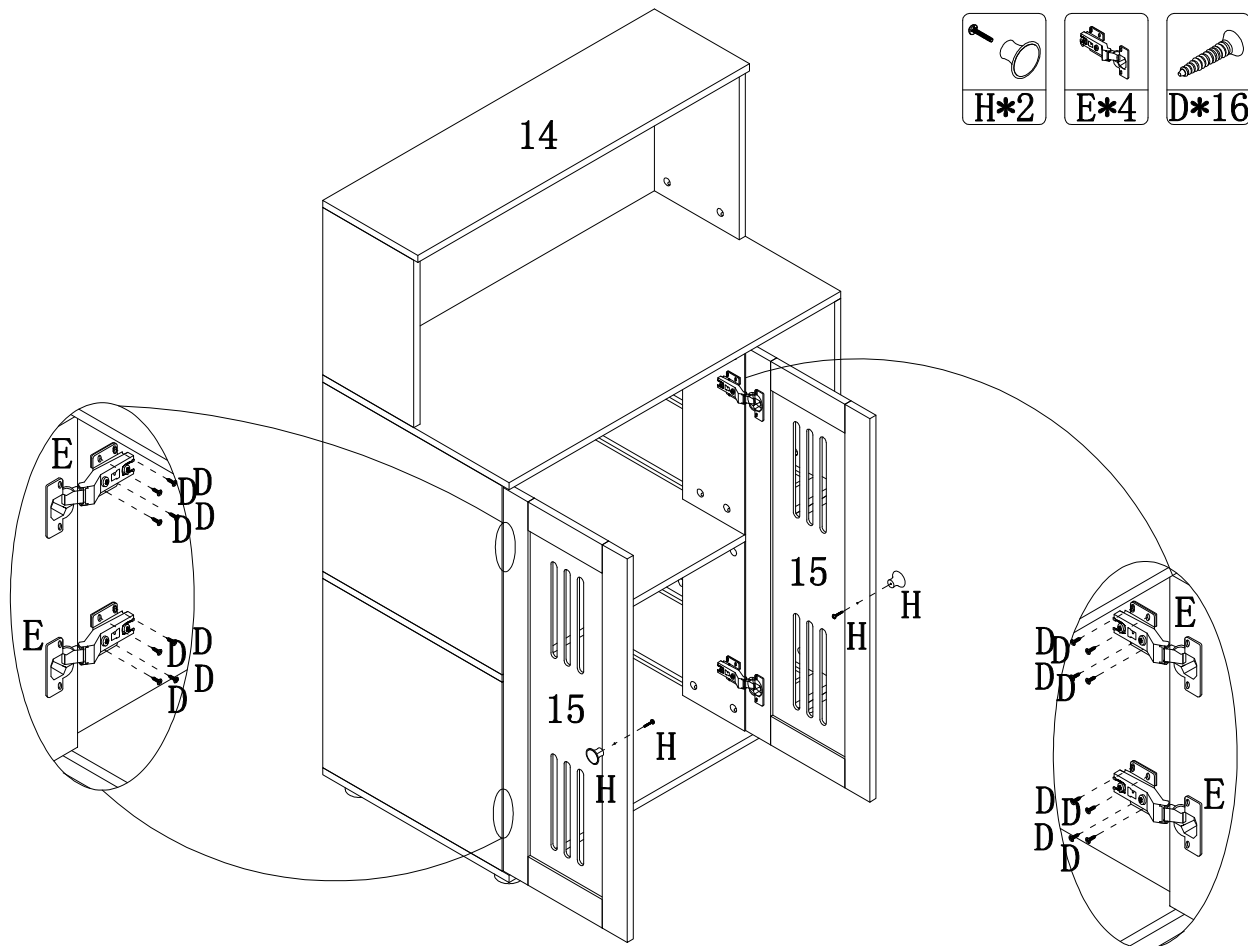
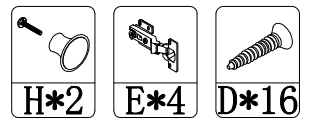
step 15



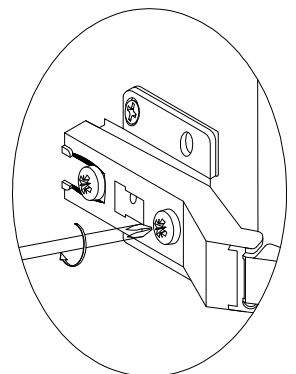
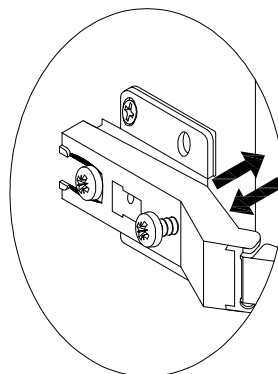
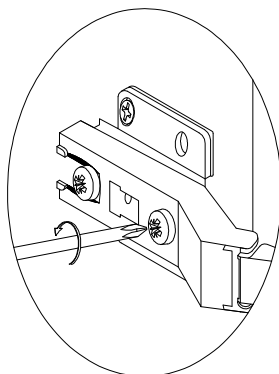
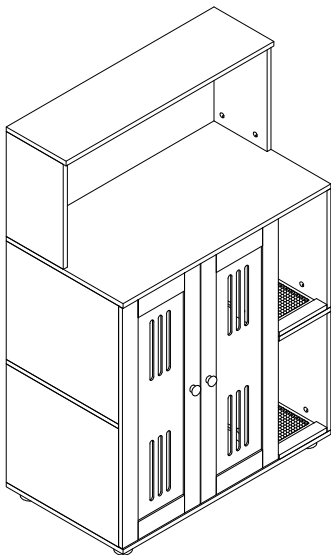
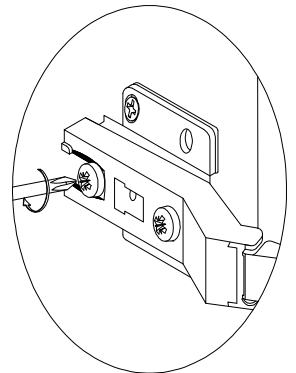
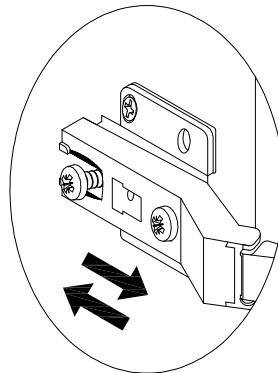
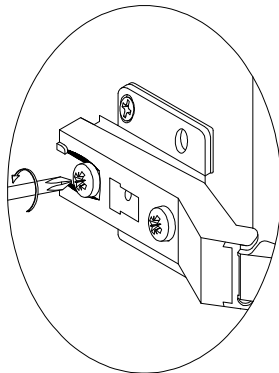
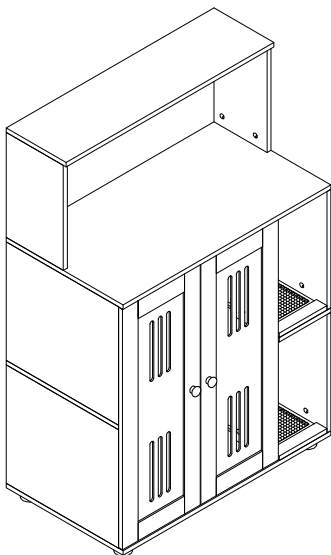
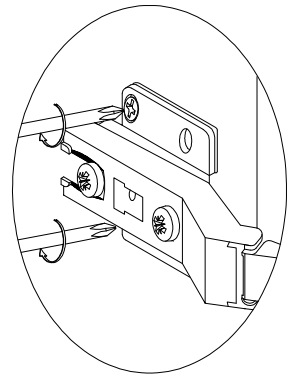
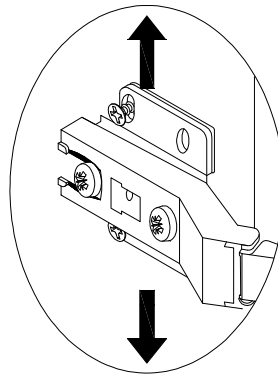
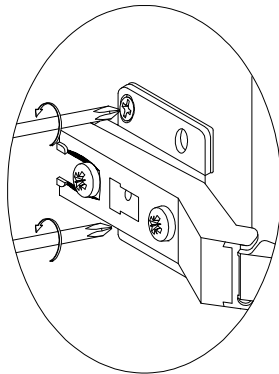
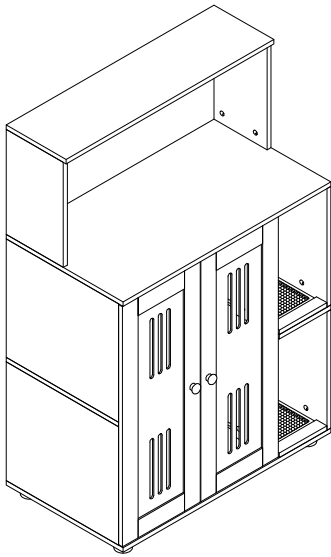
step 16



step 17



step 18



step 19

1/10
K*1

