

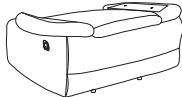



ASSEMBLY INSTRUCTION

GLIDER RECLINING CHAIR






NOTE: Do not use power tools for assembly. The use of power tools increases the risk of over-tightening, which can result in wood splitting or cracking.

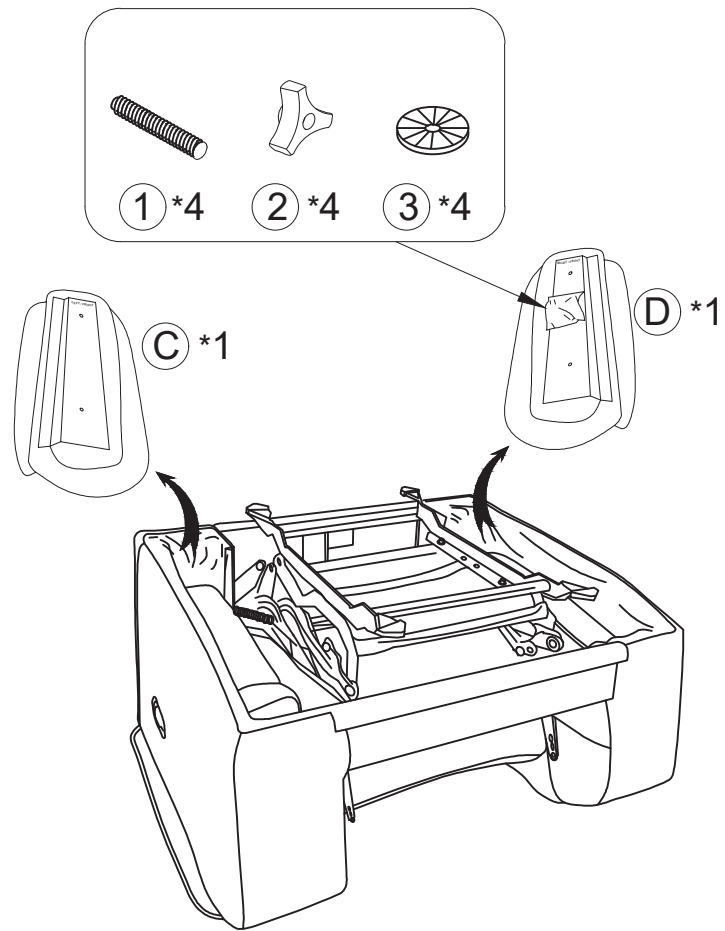
TOOLS REQUIRED : NO TOOLS REQUIRED

| NO. | DRAWING | QTY | DESCRIPTION |
|-----|---|-----|------------------|
| A |  | 1 | SEAT |
| B |  | 1 | RECLINER BACK |
| C |  | 1 | LSF ARM PAD |
| D |  | 1 | RSF ARM PAD |

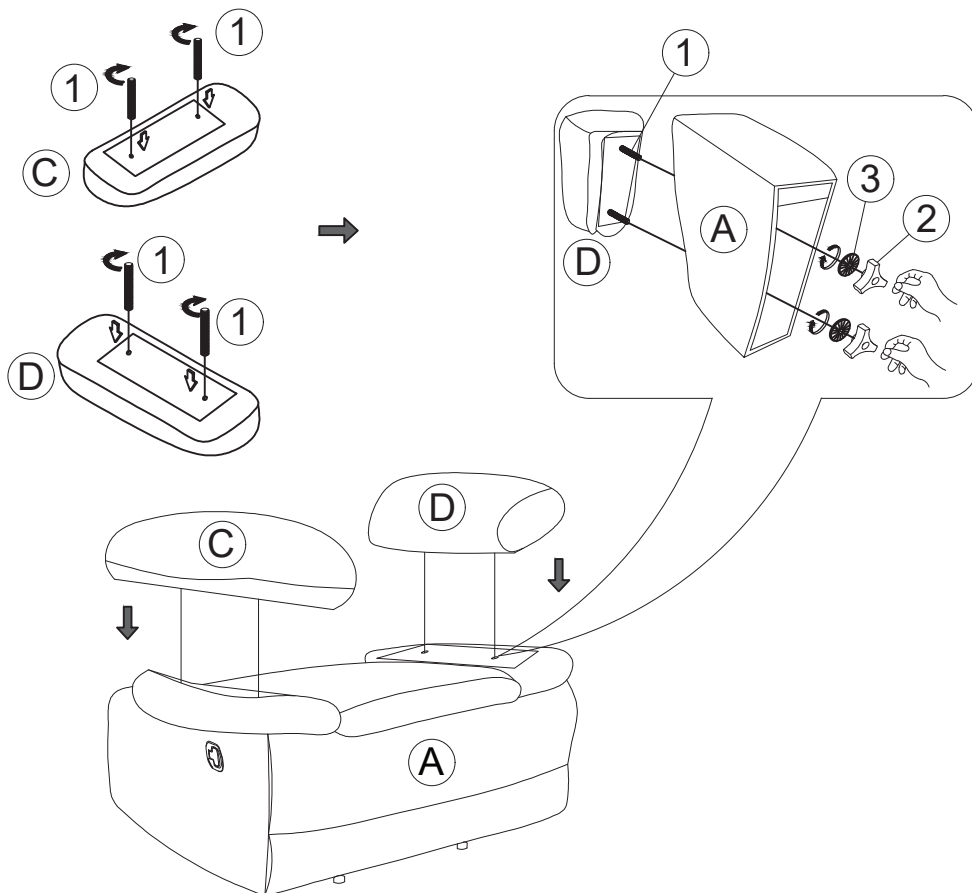
HARDWARE LIST

| NO. | DRAWING | QTY | DESCRIPTION |
|-----|---|-----|----------------------------|
| 1 |  | 4 | THREADED BOLT (2.7inch) |
| 2 |  | 4 | PLASTIC NUT |
| 3 |  | 4 | WASHERS |

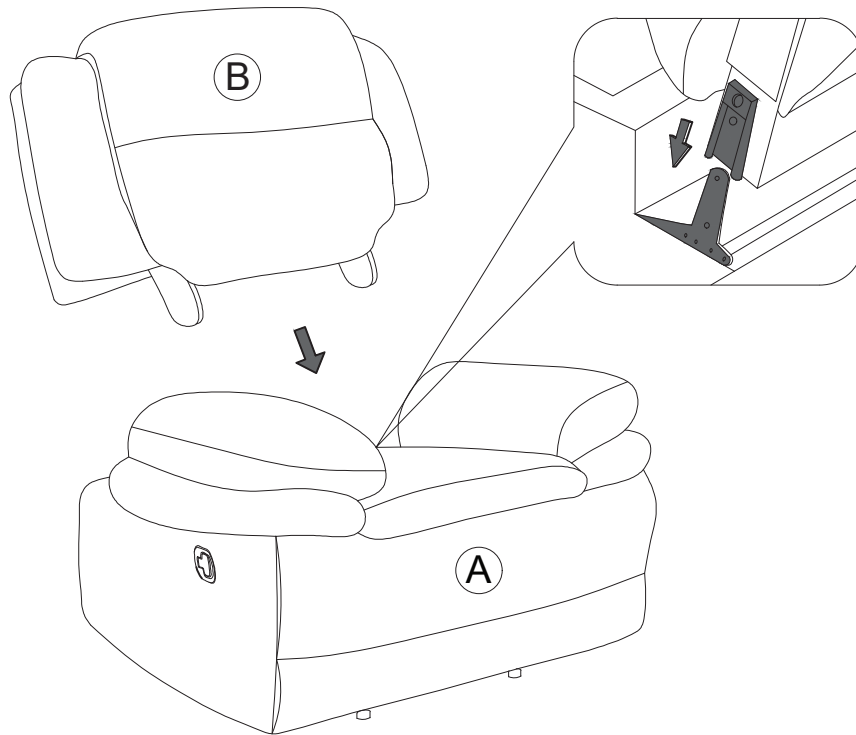
STEP 1



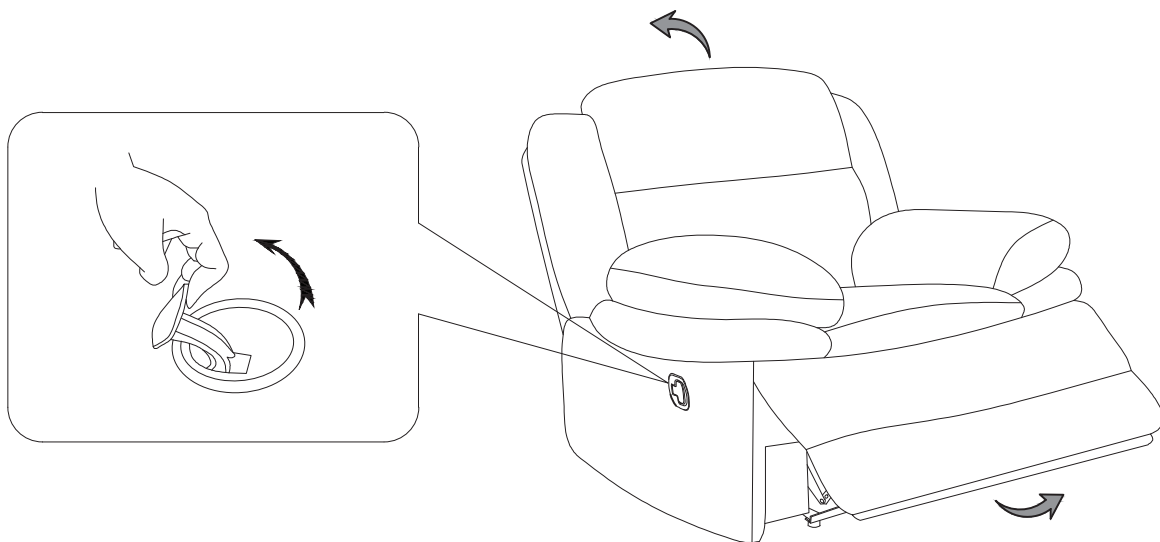
STEP 2



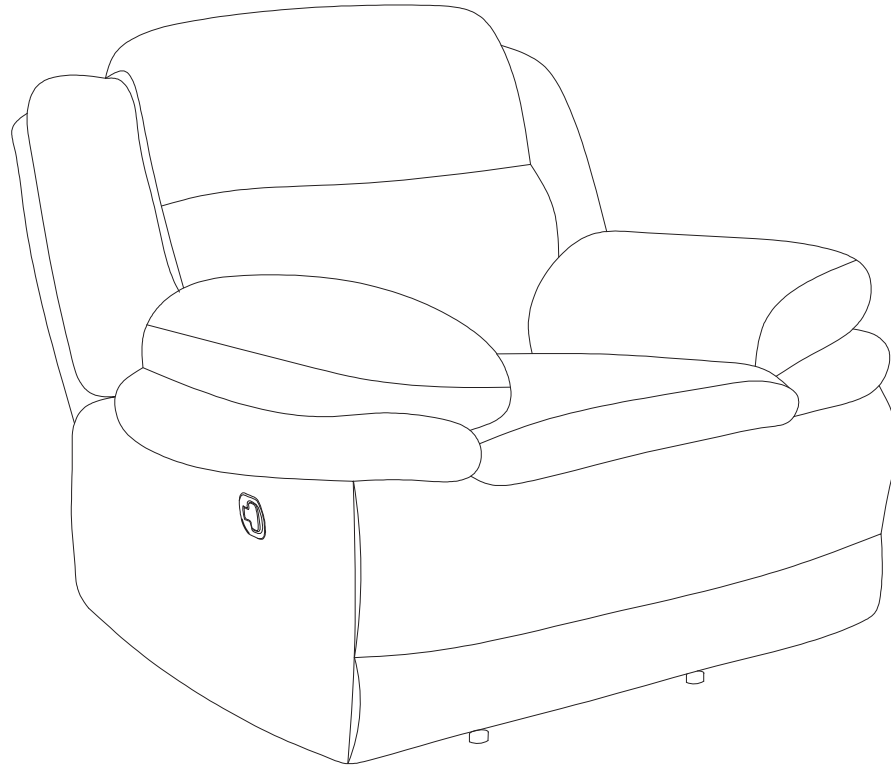
STEP 3



STEP 4



COMPLETED



Care Instruction for Corduroy Furniture.

In order to maintain the original appearance of your Corduroy furniture, please follow below simple care procedures:

- Avoid exposing furniture directly to sunlight or heating and air conditioning outlets. Sunlight and/or exposure to heating and air conditioning outlets will fade/damage Corduroy.
- Do not place your Corduroy furniture too close to windows, radiators, or vents.
- Vacuum or wipe with a soft brush to remove dust.
- Hardware may loosen over time. Periodically check to make sure all connection are tight, Re-tighten if necessary.



For items use on wooden floor, hard surfaces or carpets, it is recommended to install protective pads under all legs and supports to avoid/prevent from damages/scratches and discoloration.