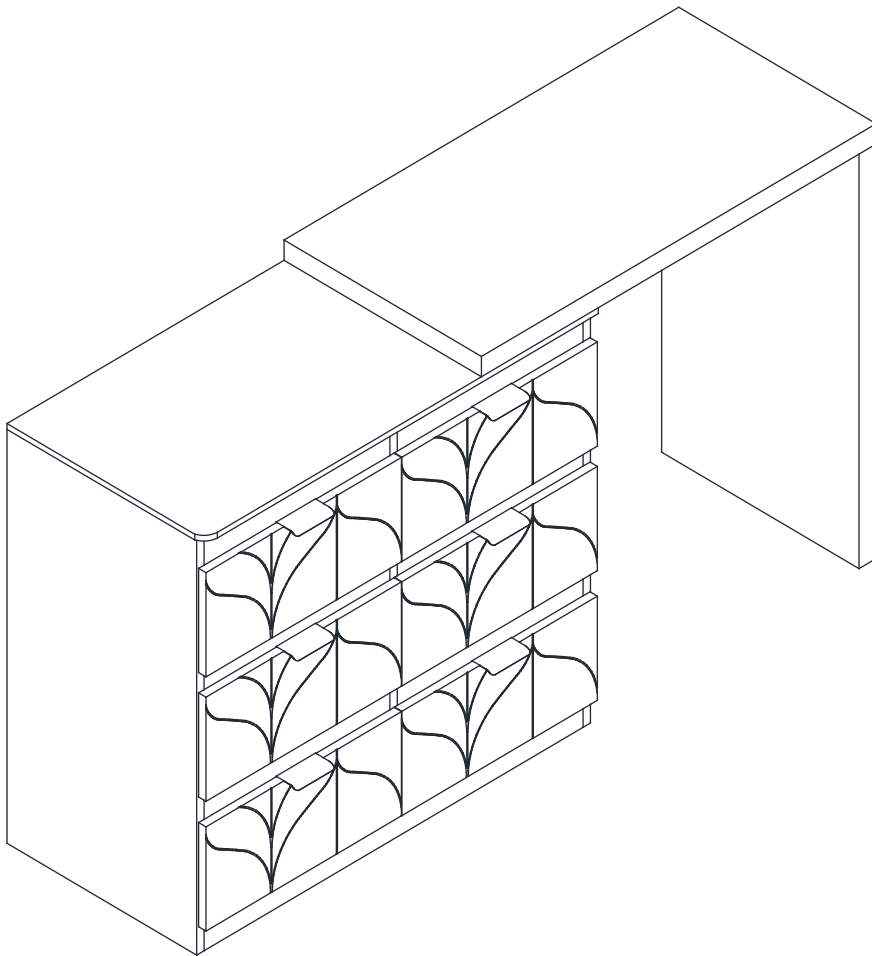







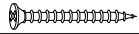













ASSEMBLY INSTRUCTION



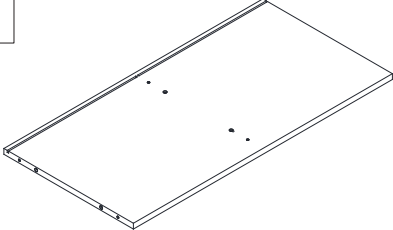



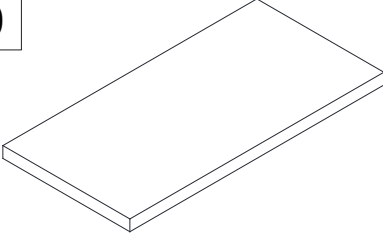
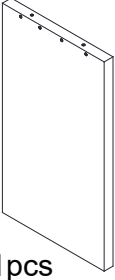
TIPS

1. Please read the instructions fully before assembly. These instructions include important information which could ensure correct assembly. We have been working on providing high quality products for you. However, in the rare instance that your product is defective, missing parts there are some issues, please don't hesitate contact our customer service to submit parts requirements, assembly suggestion, or warranty claims, and we will give the best solution as soon as possible. If necessary, we need you to provide some more clear pictures of the issue.
2. Insert the screws in holes and tighten the screws, but not too tight, 70%~80% is ok, finally tighten all the screws. If some issues happened that some screws can not target to the hole some parts are difficult to install, please adjust the tightness of the screws.
3. 2 people are recommended to finish.

Parts List			Hardware List		
NO	ITEM	QTY	NO	ITEM	QTY
1	Bottom stretcher	1	A	Cam Bolt 	36
2	Bottom panel	1	B	Dowel 	18
3	Left side panel	1	C	Cam lock 	36
4	Right side panel	1	D	Screw (M4x25mm) 	25
5	Middle side panel	1	E	Screw (M3.5x12mm) 	48
6	Horizontal panel	6	F	Dowel (M6*30mm) 	24
7	Backboard	2	G	Dowel (M10*60mm) 	2
8	Desktop	1	H	Screw (M4x35mm) 	8
9	Top panel	1	I	Screw (M6x28mm) 	1
10	Right side panel	1	J	Turntable x1 	1
11	connected parts	1	K	Screw (M3x12mm) 	2
12	Left side panel of drawer	6	L	Handle 	6
13	Right side panel of drawer	6	M	Hole sticker 	24
14	Drawer back panel	6	N	Allen key 	1
15	Drawer bottom panel	6	O	Backboard buckle (M3.5*14mm) 	16
16	Drawer panel	3	CL	Drawer slide 	6
17	Drawer panel	3	CR	Drawer slide 	6
			DL	Drawer slide 	6
			DR	Drawer slide 	6

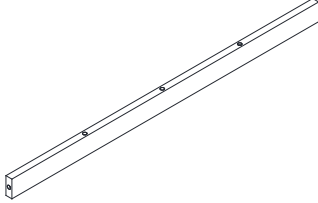
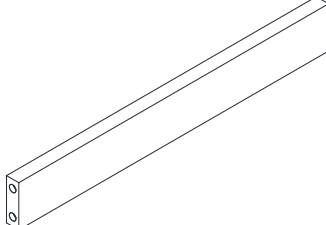

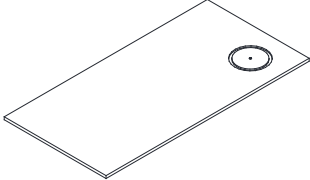
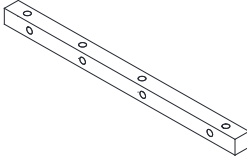
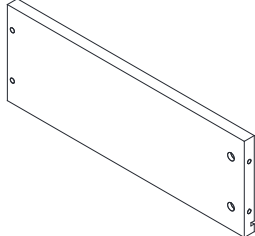
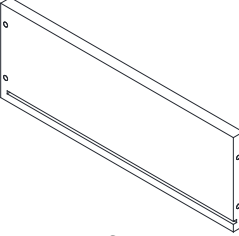
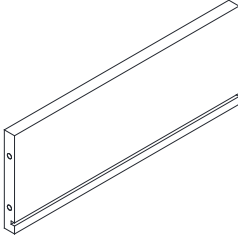
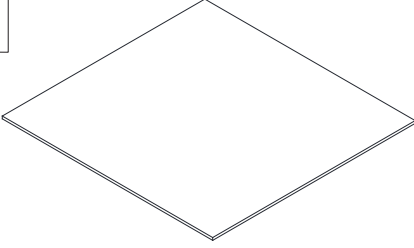
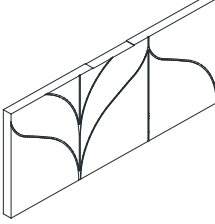
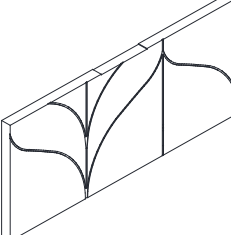

Part List

Hardware List+N606P199355W

<p>2</p>  <p>Bottom panel -1pc</p>	<p>3</p>  <p>Left side panel -1pcs</p>	<p>4</p>  <p>Right side panel -1pcs</p>
<p>5</p>  <p>Middle side panel -1pcs</p>	<p>9</p>  <p>Top panel -1pc</p>	<p>10</p>  <p>Right side panel -1pcs</p>

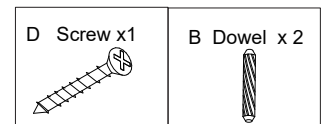
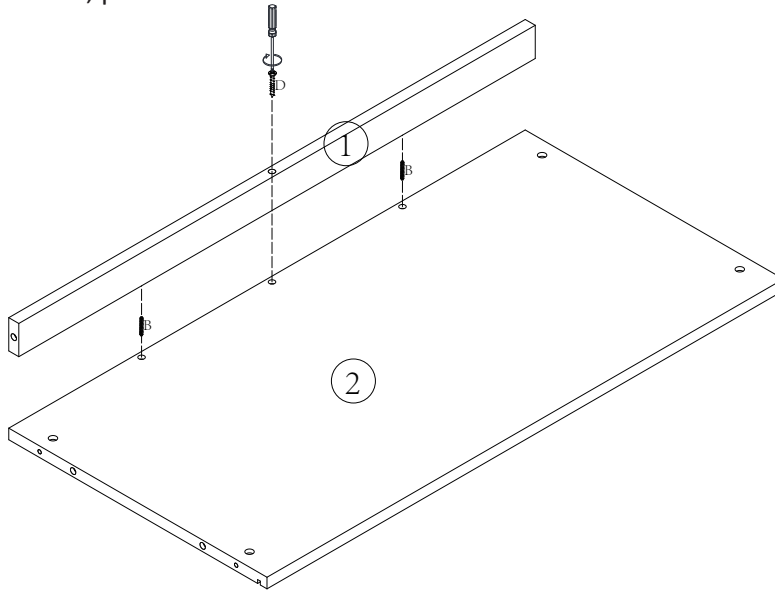
Part List

Hardware List+N606P199356W

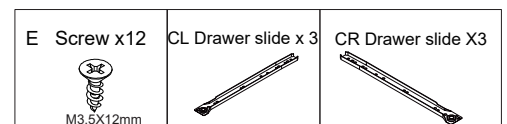
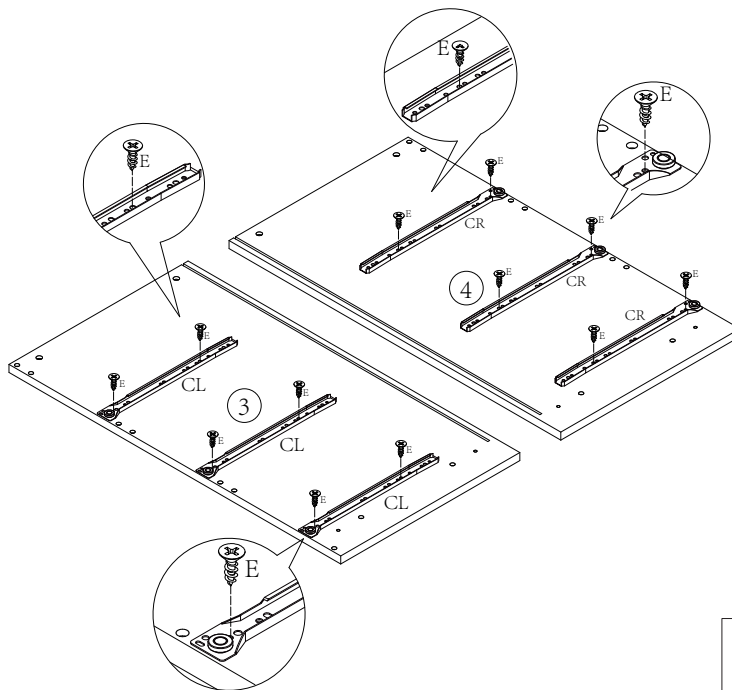
<p>1</p>  <p>Bottom stretcher-1pcs</p>	<p>6</p>  <p>Horizontal panel -6pc</p>	<p>7</p>  <p>Backboard -2pc</p>
<p>8</p>  <p>Desktop -1pc</p>	<p>11</p>  <p>connected parts-1pcs</p>	<p>12</p>  <p>Left side panel of drawer -6pc</p>
<p>13</p>  <p>Right side panel of drawer -6pcs</p>	<p>14</p>  <p>Drawer back panel -6pc</p>	<p>15</p>  <p>Drawer bottom panel -6pc</p>
<p>16</p>  <p>Drawer panel -3pcs</p>	<p>17</p>  <p>Drawer panel -3pcs</p>	 <p>Hardware Kit 1PC</p>

Attention: Do not tighten the screws before completing the entire installation. If you have any difficulty with the installation process, please feel free to contact us.

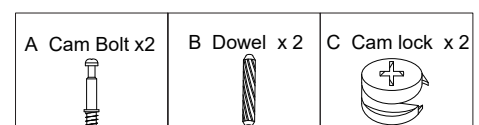
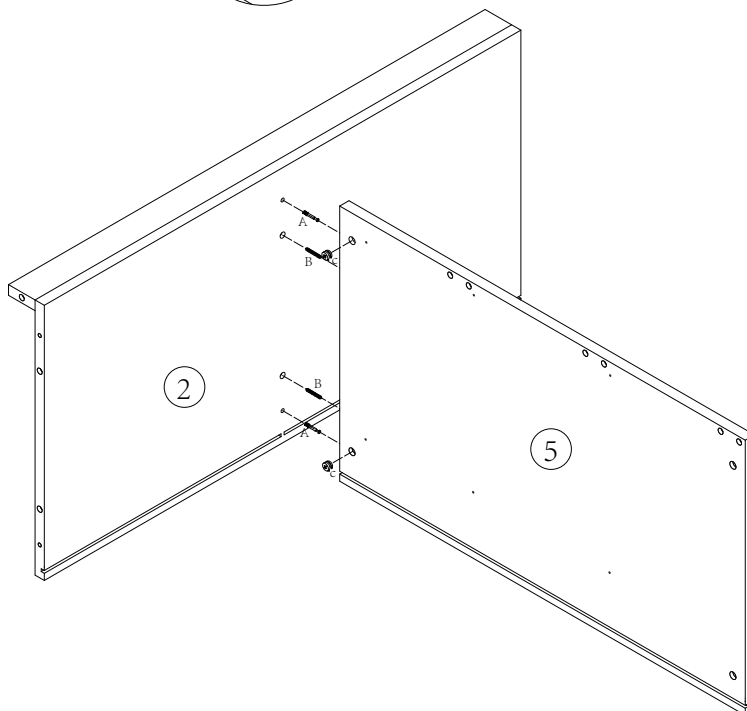
Step 1



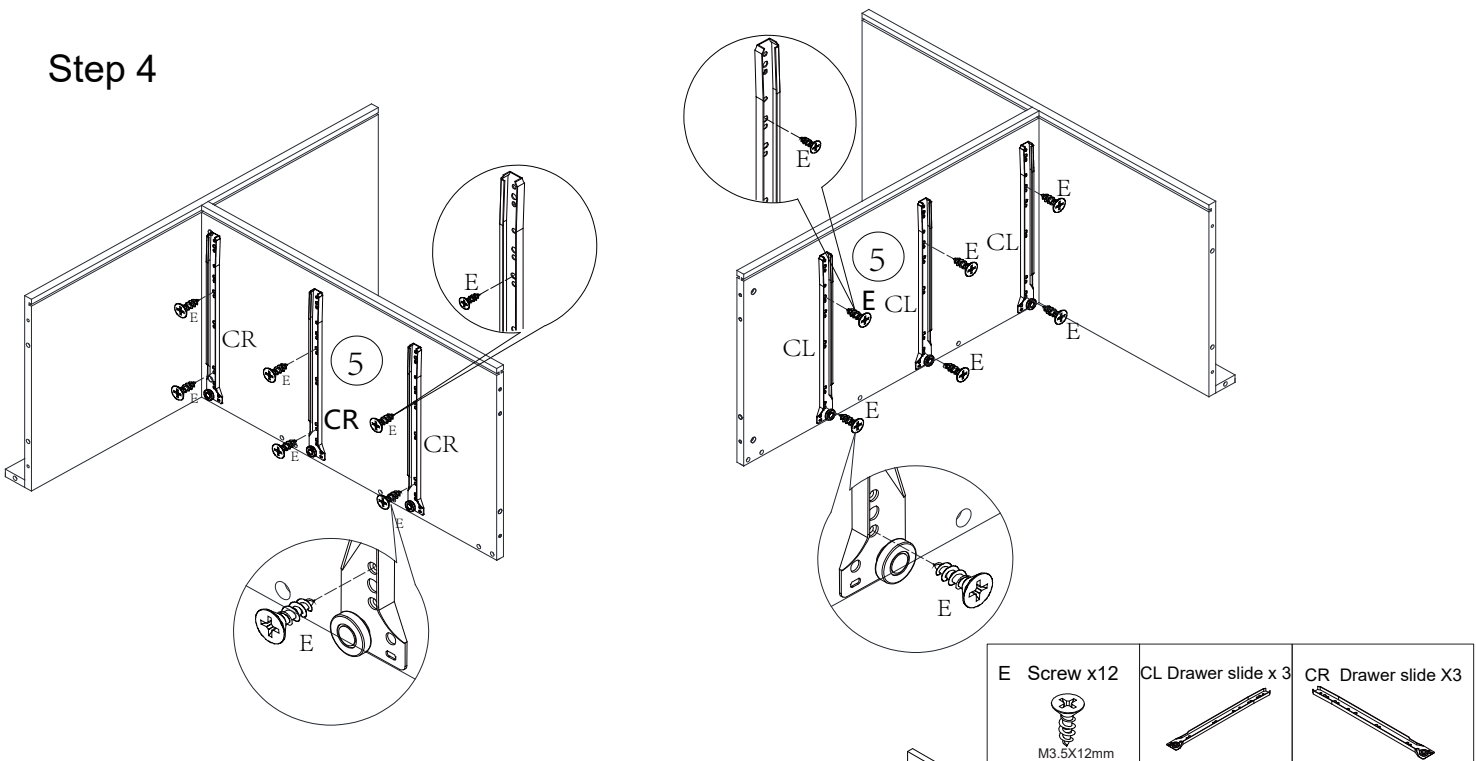
Step 2



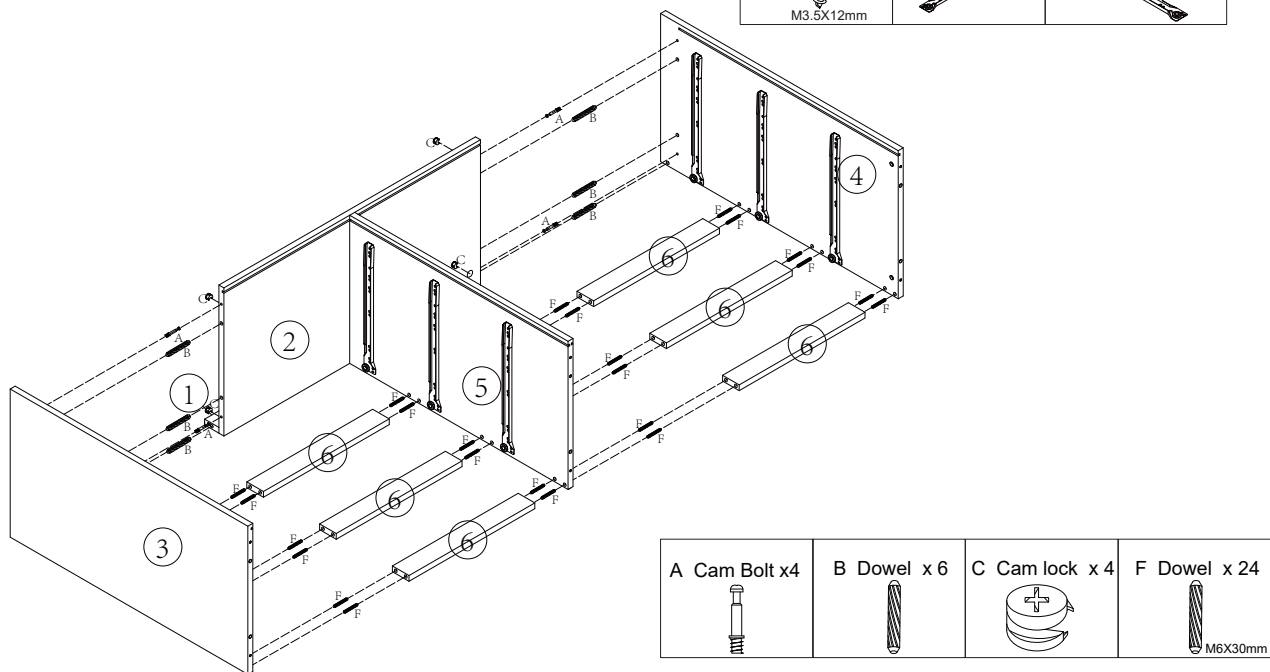
Step 3



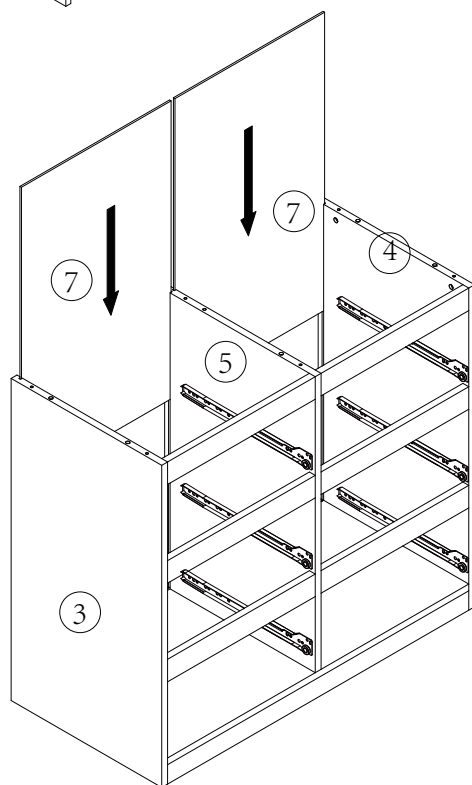
Step 4



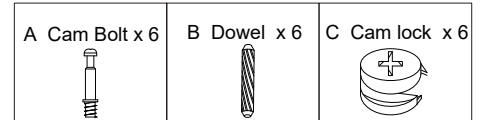
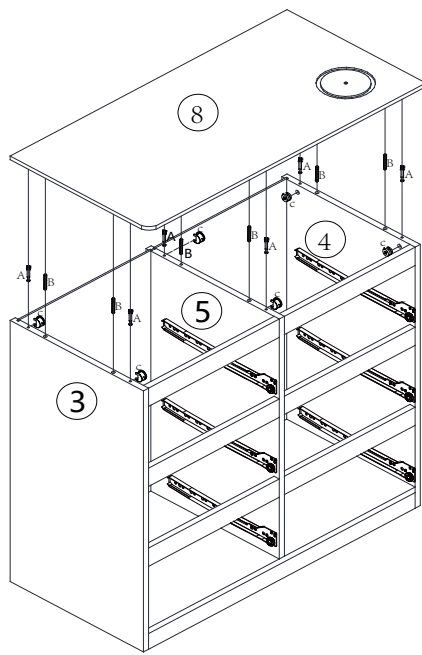
Step 5



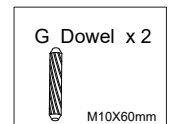
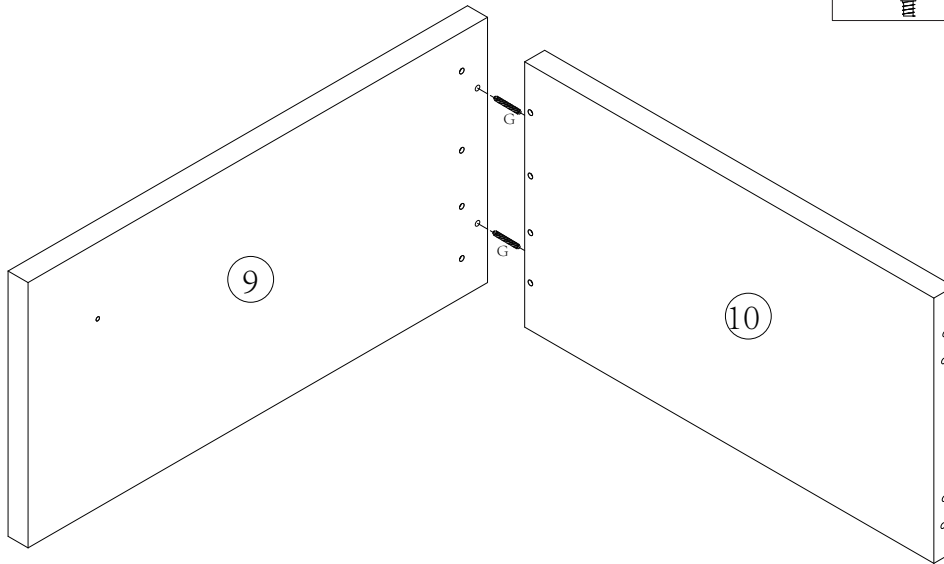
Step 6



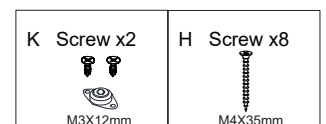
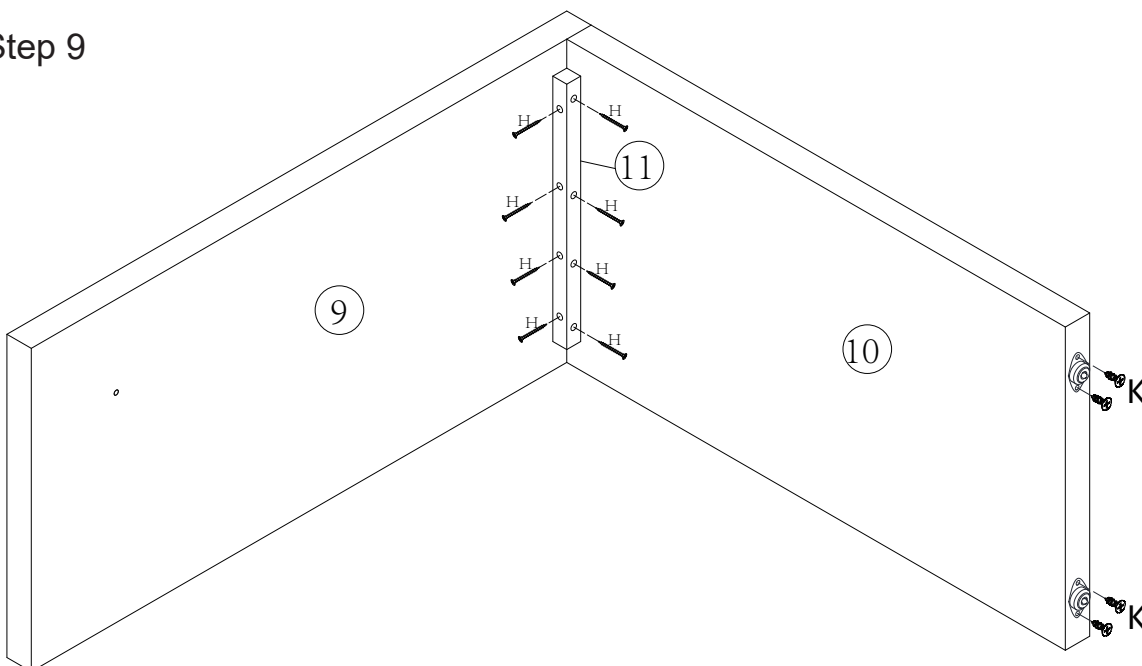
Step 7



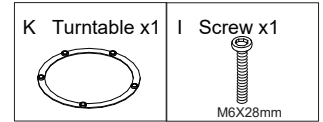
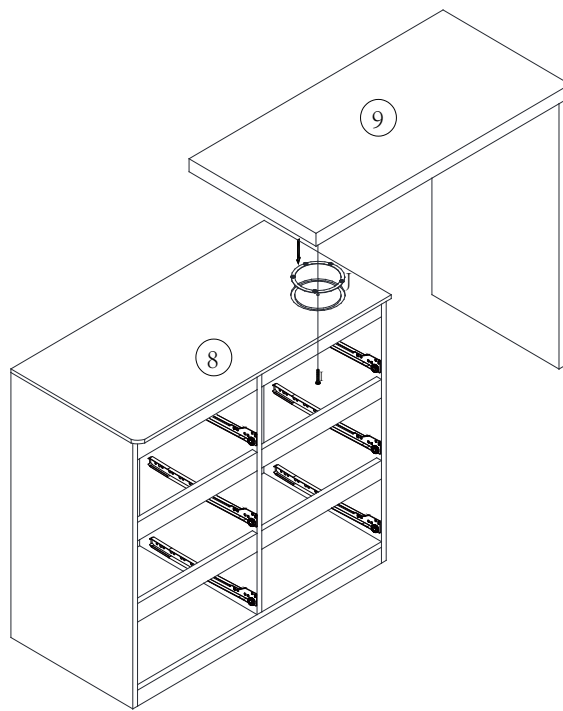
Step 8



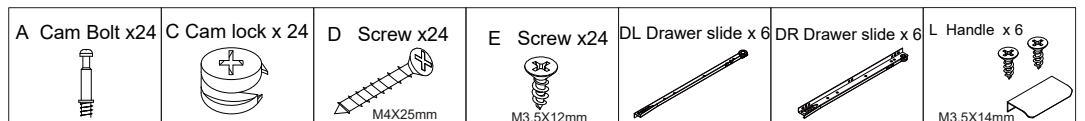
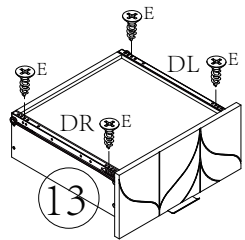
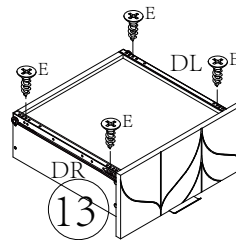
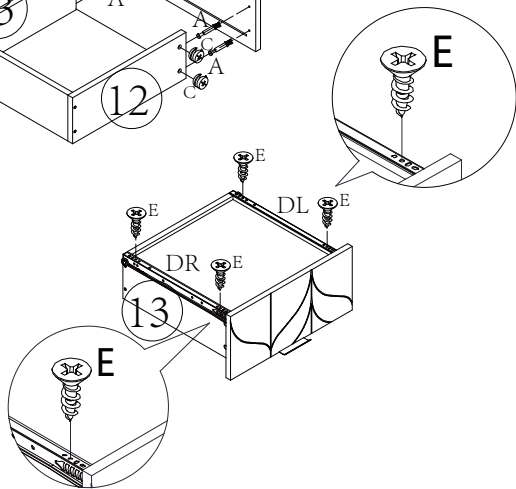
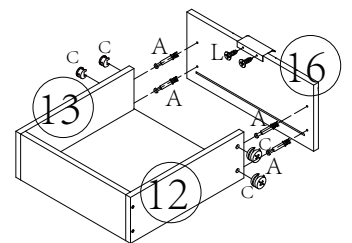
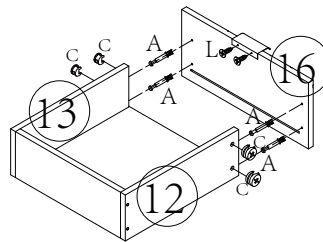
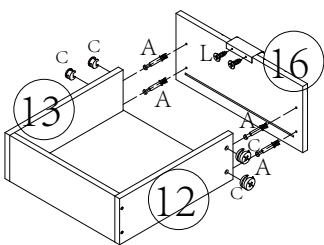
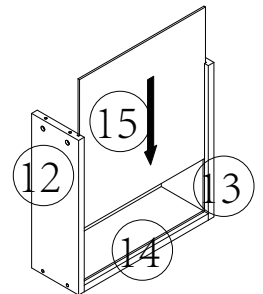
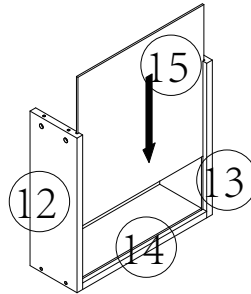
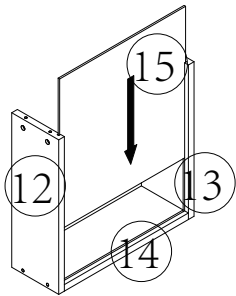
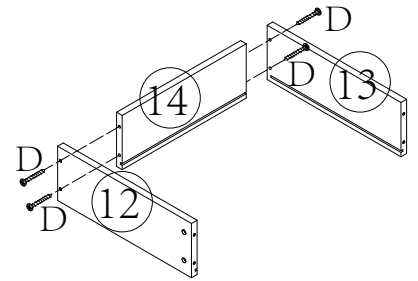
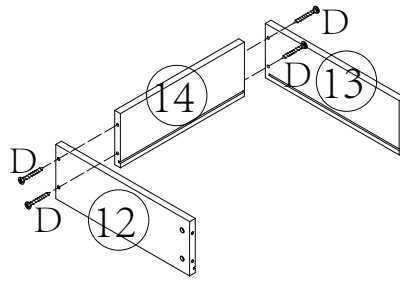
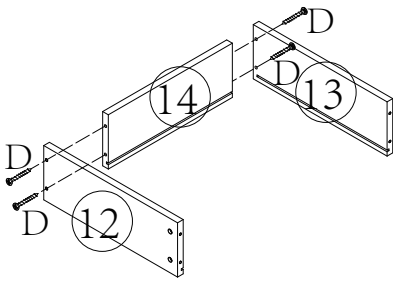
Step 9



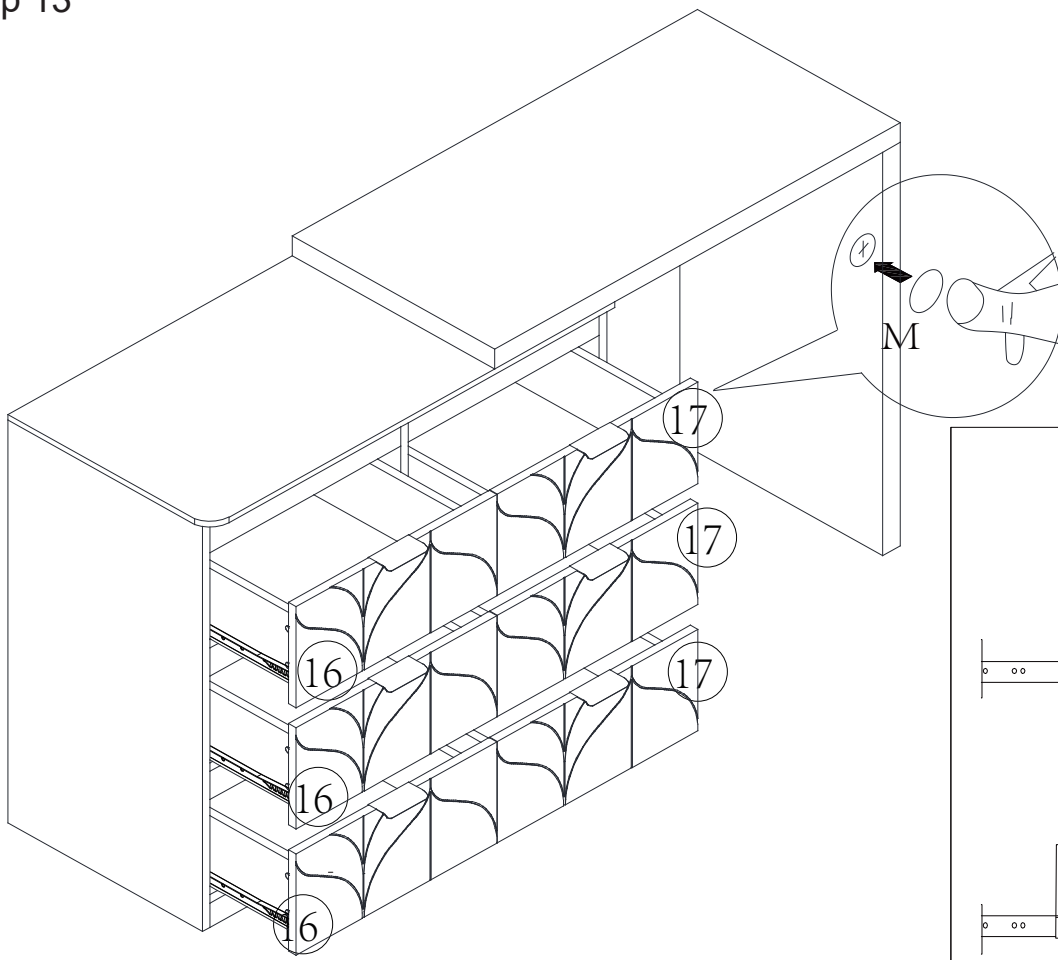
Step 10



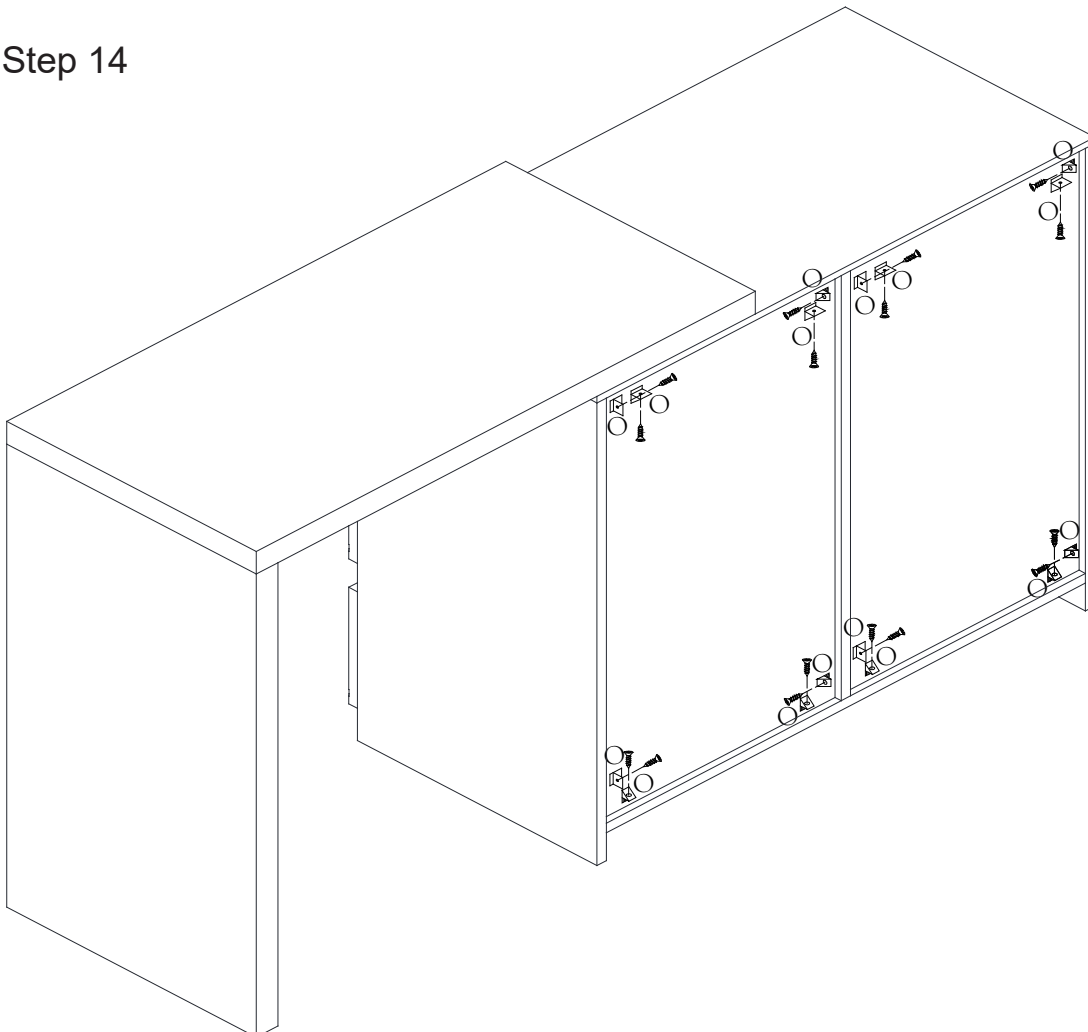
Step 11 x2



Step 13



Step 14



M Hole sticker x 24

O Backboard buckle x16
M3.5X14mm