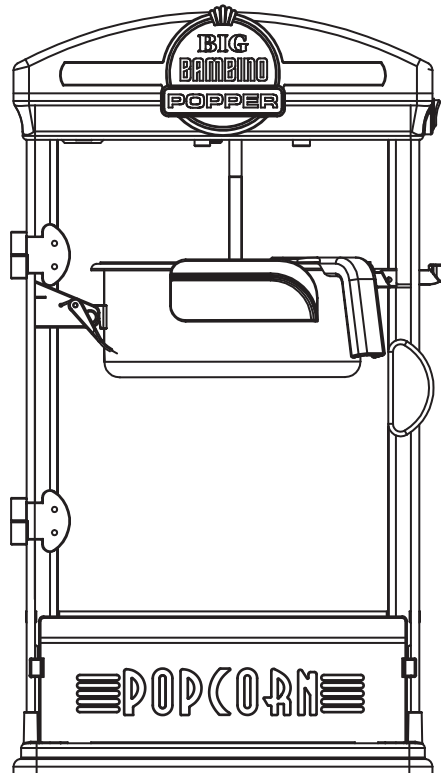




BIG BAMBINO



INSTRUCTION MANUAL

ALWAYS READ ALL INSTRUCTIONS BEFORE USING

IMPORTANT SAFEGUARDS

Safety precautions should always be followed when using electrical appliances. These precautions include the following:

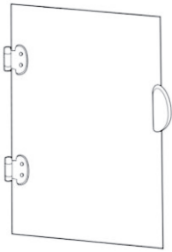
1. **READ ALL INSTRUCTIONS PRIOR TO USING THE POPCORN MACHINE.**
 2. Before operating the popcorn machine, always make sure it is located on a flat and level surface. Do not place the machine on or near a hot gas or electric burner.
 3. Position the machine close to a power outlet to avoid the possibility of tripping over the power cord.
 4. Connect the electrical cord between the popping kettle and the main unit first, and then connect the main power cord into a wall outlet.
 5. Do not leave power cord hanging over the edge of a table or counter and do not allow it to come in contact with any hot surfaces.
 6. Do not operate the appliance with a damaged cord or plug, with a malfunction, or with any mechanical damages.
 7. The popping kettle should NOT be connected to any external electrical cord or receptacle.
 8. **NEVER LEAVE UNATTENDED WHILE IN USE.**
 9. Keep out of reach of children. Close supervision is necessary when it is being used near children.
 10. Do not touch hot surfaces. Always use handles or knobs to operate.
 11. Keep door closed while operating. Do not touch kettle while operating as it gets **HOT**. Kettle surface is **HOT** and should **NOT** be touched during popping or immediately after use.
 12. Do not pop kernels without oil in the popping kettle. Add oil first and then kernels.
 13. Be very cautious when emptying popcorn from the popping kettle to avoid burns from the kettle or from residual ingredients.
 14. Allow **HOT** parts to cool down before moving the machine or any components.
 15. Turn switch to "**OFF**" position before disconnecting the power plug from the wall supply outlet.
 16. Unplug main power cord from outlet while not in use and before cleaning the popcorn machine.
 17. To avoid any risk of electrical shock, do not immerse cord or plug into water or other liquids.
 18. Do not immerse popping kettle into water. **NO PARTS ARE INTENDED FOR THE DISHWASHER.**
 19. Do NOT use abrasive cleaning materials on the popcorn machine.
 20. The use of any accessory or attachment not provided or recommended by manufacturer may cause injury. Never force any parts into position.
 21. Unplug, clean and store the popcorn machine in a dry and safe place when not being used for a period of time.
 22. Popcorn machine is not recommended for use outdoors.
 23. Do not use popcorn machine for other than indicated usage.
 24. This product is not suggested to be used with 8oz kernel per popping cycle. It is recommended to pop with 5oz kernel for best result
 25. Extreme caution must be used when moving an appliance containing hot oil or other hot liquids. And when unloading popcorn, always turn the unit over a counter-top so that residual hot oil or water running out will not cause burns.
- Use extreme caution while cleaning the kettle. Lid edge is sharp DO NOT TOUCH.

SAVE THESE INSTRUCTIONS

INSTRUCTIONS

Please read this Instruction Manual carefully before assembling and using the popcorn machine.

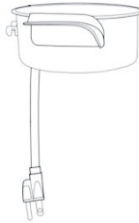
PARTS



1



2



3



4



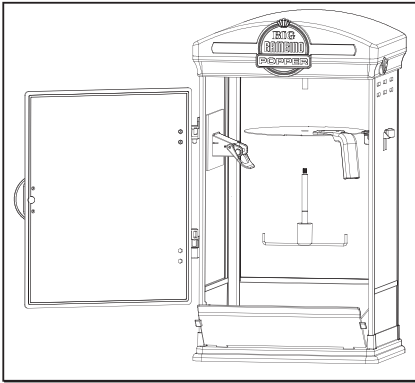
5



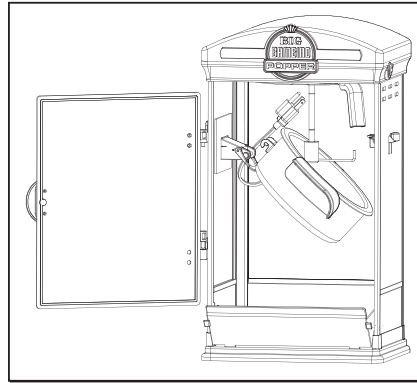
6

1. Clear Door
2. Drop Down Tray
3. Kettle
4. Kettle Lid & Stirrer
5. Kernel Filter
6. Light bulb

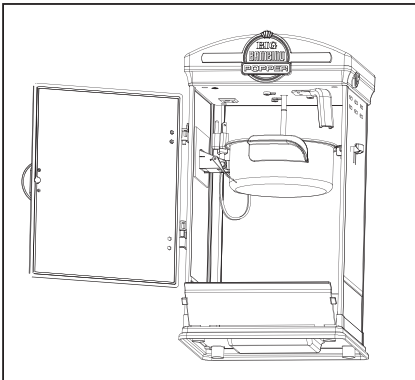
ASSEMBLY AND OPERATING INSTRUCTIONS



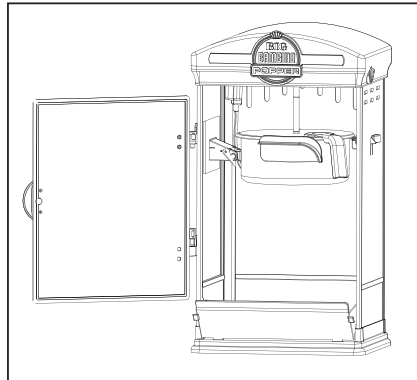
Step 1:
Attach the kettle lid first, then screw in the stirrer. (Note: Turn stirrer clockwise)



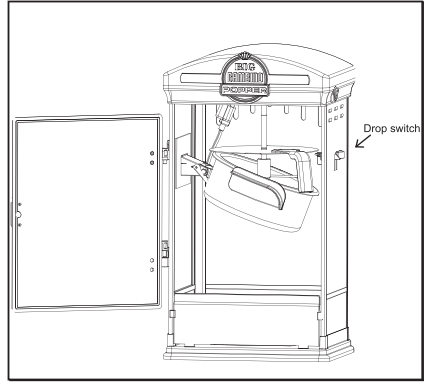
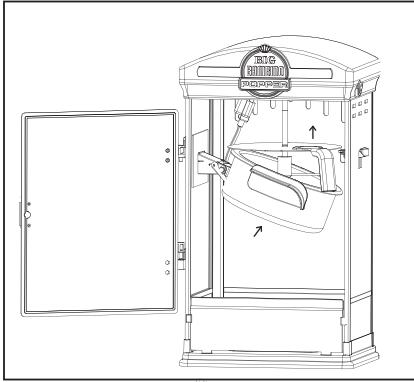
Step 2:
Hang the kettle by hooking in place.



Step 3:
Plug the kettle power cord into the receptacle.



Step 4:
Make sure the clear door and drop down panel are in place.



Step 5:

Lift kettle lid to the top of the machine and load ingredients into the kettle, first oil, then kernels and seasoning. Lower the kettle lid, close the door, and turn "ON" the on/off switch.

Step 6:

When popping is almost complete, turn "OFF" the on/off switch. With the clear door kept closed, use the "Drop Switch" on the outside of the side panel to empty the remaining popcorn from the kettle.

USING YOUR POPCORN MACHINE

Clean the surfaces of the popping kettle and the internal surfaces of the machine before first use.

1. As shown in Step 1, attach the kettle lid first, then screw in the stirrer (note: turn counterclockwise). The kettle lid will magnetically affix to the ceiling.
2. As shown in Step 2, hang the kettle by hooking in place.
3. As shown in Step 3, plug the kettle power cord up into the receptacle.
4. As shown in Step 4, make sure the clear door and drop down tray are in place.
5. The on/off switch functions for both the kettle and light. When switch is in "on" position the kettle will heat and stir while light will be on. When switch is in "off" position the heater, stirrer, and light will all be turned off.

Although the ratio of popcorn kernels to oil is a personal preference, you may begin with a ratio indicated on the Oil/Popcorn Chart (Fig 1). **Caution:** Do not use substitute butter, margarine, shortening, lard, or similar for popcorn popping oil as those will burn, smoke, and cause discoloration of the non-stick surface.

Figure 1: Oil/Popcorn Chart

OIL	POPCORN
~2 Tbsp	~1/4 Cup
~3 Tbsp	~1/2 Cup
~4 Tbsp	~3/4 Cup
~5 Tbsp	~1 Cup

5. As shown in Step 5, lift kettle lid to the top of the machine (affixes magnetically) and load ingredients into the kettle, first oil, then kernels and seasoning. Lower the kettle lid, close the door, and turn "ON" the on/off switch.
6. As shown in Step 6, when popping is nearing completion, turn "OFF" the on/off switch. Popping is done when there is a 1-2 second pause between popping. With the clear door kept closed, use the "Drop Switch" on the outside of the side panel to empty the remaining popcorn from the kettle. Slight scorching of some popped popcorn is normal and to be expected. If the user leaves the kettle on for too long after popping popcorn without emptying the kettle, it will cause additional scorching and burning of the popcorn ingredients and popped popcorn.

CAUTION: Kettle will be HOT!

Repeat steps 5 and 6 to continue making popcorn. Keep switch "OFF" and remove plug from electrical outlet if the popcorn machine is not being used for an extended period of time.

CLEANING AND MAINTENANCE

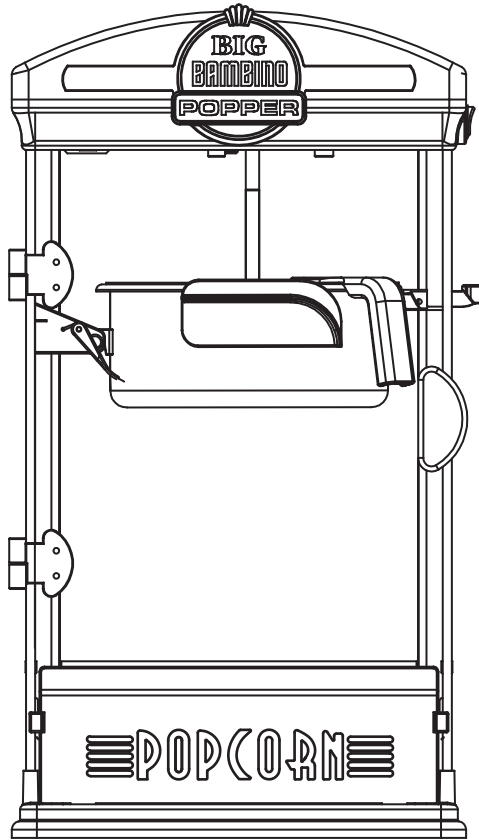
After using the popcorn maker, let it cool completely. Use a wet cloth to clean the housing and doors. It is strongly recommended to clean the kettle frequently to avoid burning excess oil onto the bottom of the inner pot.

1. Turn the power switch to the Off position.
2. Pour 4 to 6 ounces of water (NO detergent is necessary) into the kettle.
3. Turn the power switch to the ON position to boil the water allowing the stirrer to remove excess oil stuck on the surface.
4. After about 1 to 2 minutes of boiling, allow to cool, then pour water into a deep bowl and discard.

CAUTION: THE KETTLE IS HOT

You may also remove the kettle and clean it with a non-scratch scouring pad. Do not immerse kettle or electrical plug in water.

Any other servicing should be performed by an Authorized Service Representative.



Customer Service

Please contact us through our website: www.TeamCustomerService.com if you have any questions and we will be happy to assist you.