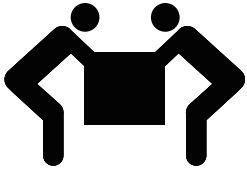


INTERIOR DOOR ASSEMBLY GUIDE



WARNING

Some steps are more easily handled with two adults.



CAUTION

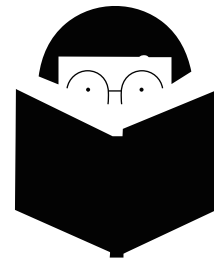
Before assembly and/or installation, carefully unwrap all parts. Locate and set aside the hardware kit before discarding packaging. Use care when assembling your new product. Take your time and follow assembly instructions closely.



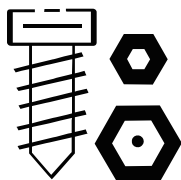
If you have any questions below, please feel free to contact us. We will respond within 24 hours.



ANY DAMAGE



**READ INSTRUCTIONS
CAREFULLY**



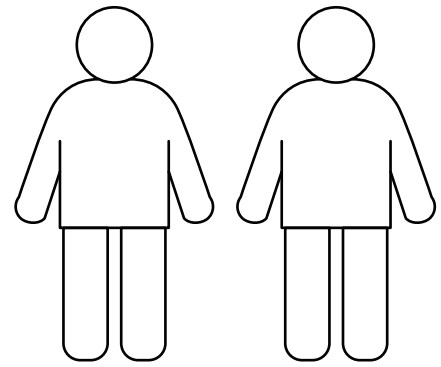
MISS SOME PARTS



OTHER QUESTIONS



20 min



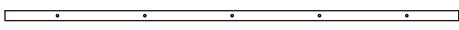
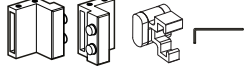
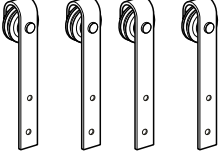
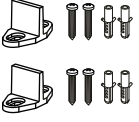



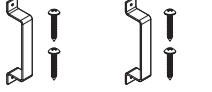
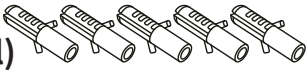
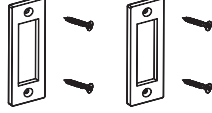
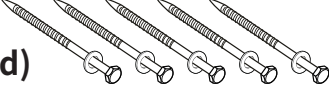
Two People Required

Please retain these instructions for future reference.


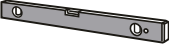


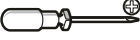




- * Wear Safety Goggles.
- * Confirm all parts are present prior to assembly.
- * Assemble on a flat, clean, and soft surface.
- * Professional installation is highly recommend.
- * Two or more people are needed to complete the installation.
- * Do not stand on or use any part of this item as a step ladder.
- * Firmly secure all bolts, screws, and knobs before use.
- * Reconfirm that all bolts, screws, and knobs are secure every 90 days.
- * Fasten screws loosely during initial assembly. Do not firmly tighten the screws until the item is completely assembled.
- * Do not use or store this item in the proximity of open flame or flammable/combustible chemicals.
- * Be aware that some parts are heavy and have sharp edges.
- * If any parts are missing, broken, damaged, or worn, stop using this item until repairs are made and/or factory replacement parts are installed.
- * Do not use this item in a way inconsistent with the manufacturer's instructions as this could void the product warranty.

Barn Door hardware installation

Product Content

1.1,Rail 	4.1,3 x Door Stopper 
2.1,4 x Hanger 	4.2, 2 x T-Shape Floor Guide 
2.2,8 x Door Screw 	4.3,4 x Rubber End 
3.1,Wall Spacer 	5.1,2 x Handle 
3.2,Anchor (For concrete wall) 	5.2,2 x Flush Pull 
3.3,Lag Bolt (For wood stud) 	


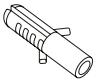
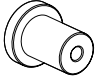
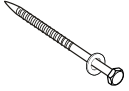
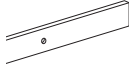
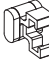
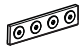
Tools Needed

1, Pencil 	5, Level 
2, Wrench 	6, Drill 
3, Phillips Screwdriver 	7, Drill Bit $\varnothing \frac{3}{8}$ "  $\varnothing \frac{1}{32}$ " 
4, Plumb Bob 	8, Tape 

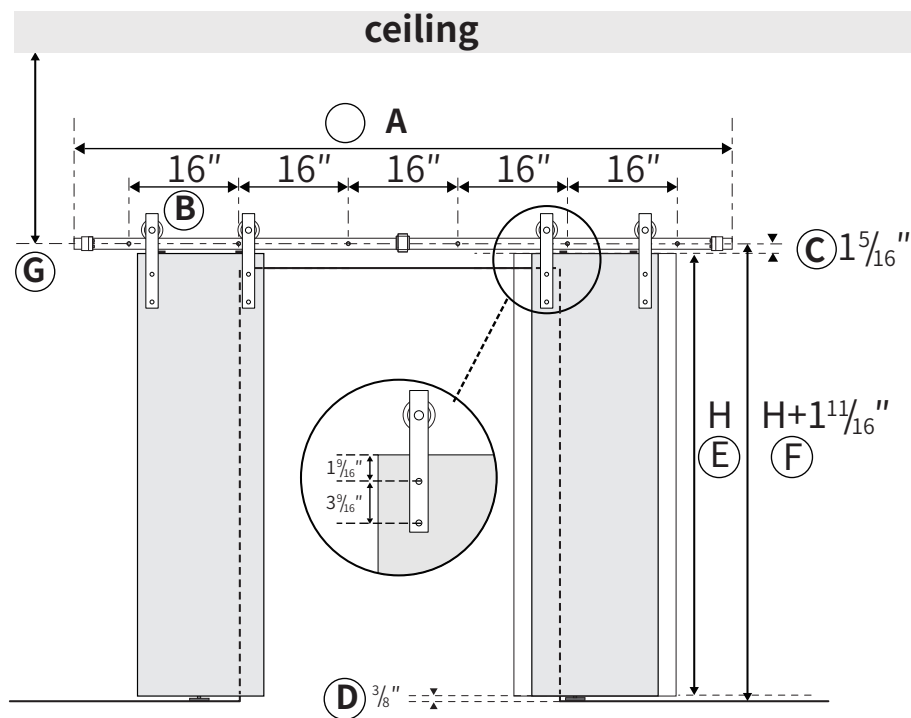
NOTICE Please retain these instructions for future reference.

- Do not stand on or use any part of this item as a step ladder.
- Firmly secure all bolts, screws, and knobs before use.
- Reconfirm that all bolts, screws, and knobs are secure every 90 days.
- Fasten screws loosely during initial assembly. Do not firmly tighten the screws until the item is completely assembled.
- Do not use or store this item in the proximity of open flame or flammable/combustible chemicals.
- Be aware that some parts are heavy and have sharp edges.
- If any parts are missing, broken, damaged, or worn, stop using this item until repairs are made and/or factory replacement parts are installed.
- Do not use this item in a way inconsistent with the manufacturer's instructions as this could void the product warranty.

Number of Parts in Different Track Sizes

								
Door Size	Track Sizes	M10x60mm Screw	Ø10mm Anchor	Wall Spacer	M8x90mm Screw	Rail	Door Stopper	Connector
14inX2	5FT	8	4	4	4	1	1	—
16inX2	6FT	8	5	5	5	1	1	—
18inX2	6FT	8	5	5	5	1	1	—
20inX2	7FT	8	5	5	5	1	1	—
21inX2	7FT	8	5	5	5	1	1	—
22inX2	8FT	8	6	6	6	2	1	1
24inX2	8FT	8	6	6	6	2	1	1
26inX2	9FT	8	7	7	7	2	1	—

Measurements



- Ⓐ Overall Rail length is 4ft/5ft/6ft/6.6ft/7ft/8ft/9ft/10ft/11ft/12ft/13ft/14ft.
- Ⓑ The gap between each pre-drilled hole is 16".
- Ⓒ Distance from door top side to holes on the wall is $1\frac{5}{16}"$.
- Ⓓ Distance from the bottom of the door to the floor is $\frac{3}{8}"$.
- Ⓔ Door height is H.
- Ⓕ The height of holes on the wall is $H+1\frac{11}{16}"$.
- Ⓖ Minimum distance from the rail hole to the ceiling is 6"(J shape).

Installation Steps:

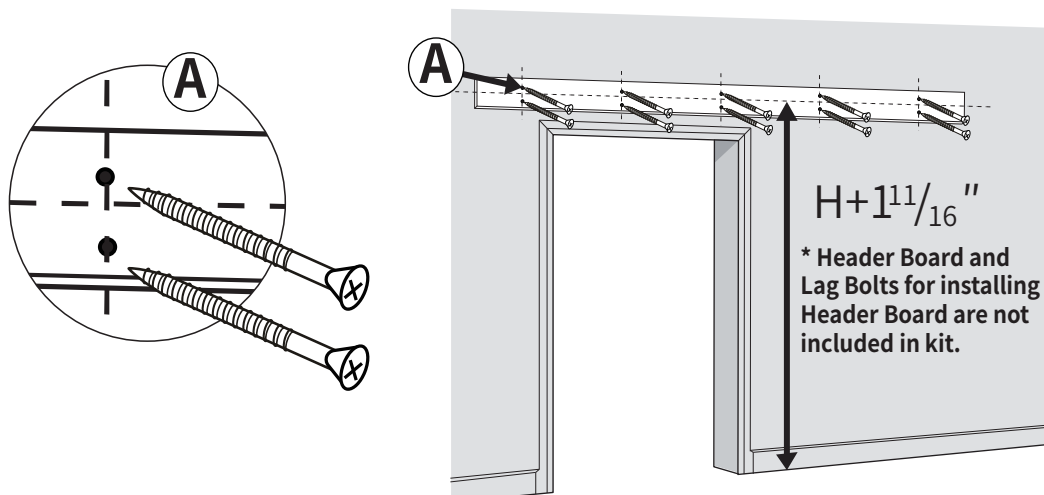
The following installation steps take a **6.6 ft** track as an example. Please refer to the [Number of Parts in Different Track Sizes] for the quantity of accessories for different sizes of tracks.

Instructions

It is very important to determine whether you will be installing a Header Board prior to installing the track.

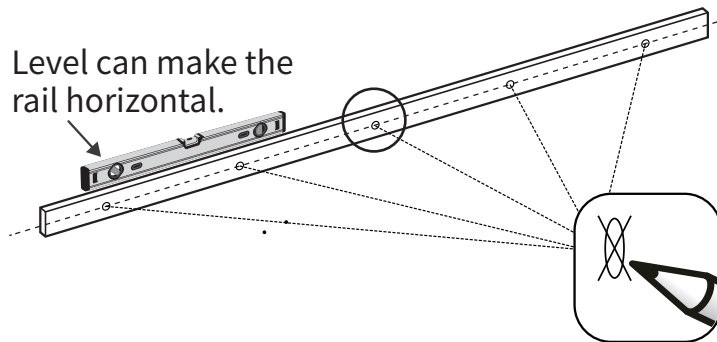
Due to many overlapping factors such as the location of wall studs (Our rail come with pre-drilled holes every 16" on center), the weight of a barn door and the various types of trim used in homes, we recommend using a Header Board in all situations.

Please install a 1" x 4" or 1" x 6" Header Board above the door opening directly into studs. Header Board must be solid wood and measure at least the full length of the track or longer.

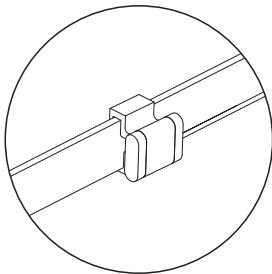


Step-1

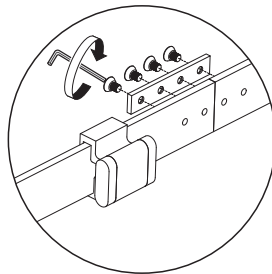
Place the rail against the wall, and use a pencil to mark where the holes should be. Make sure the height of holes on the wall is $H+1\frac{11}{16}"$.



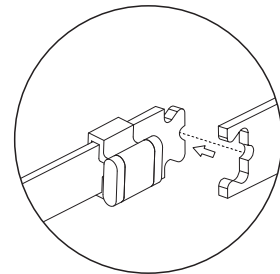
Please install the middle door stopper on the rail. Please choose the installation method for the track based on the type of your track accessories.



One-Piece Track



Connector connection method



Wedge embedded connection method

Step-2

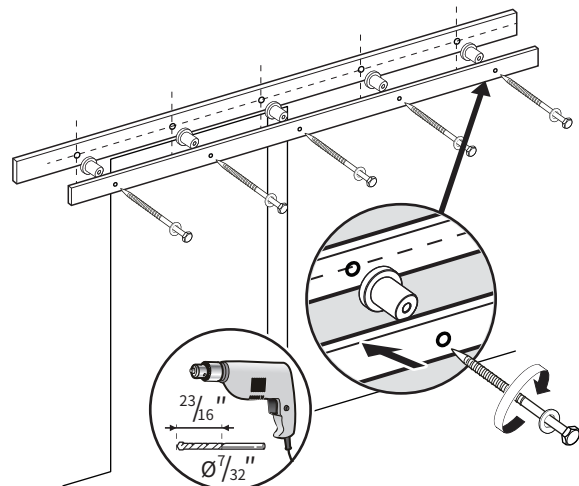
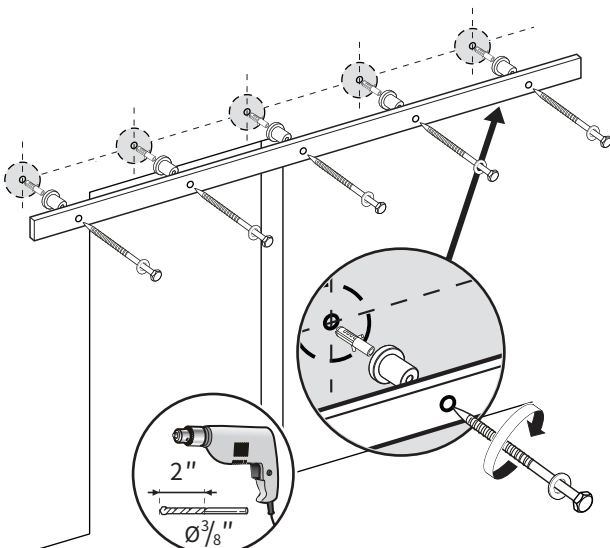
We provide 2 kinds of screws for you to install rail onto concrete wall or drywall.

A Concrete wall Installation.

Install the anchor to holes on the concrete wall first, then install lag bolt to anchor.

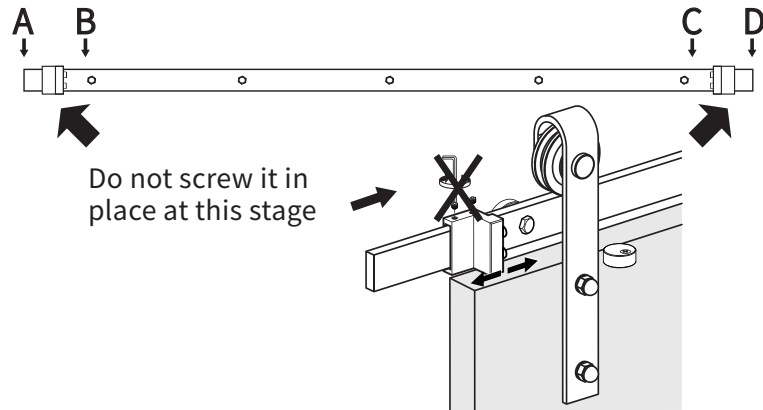
B Drywall Installation.

Install the lag bolt to wood stud or head board directly.



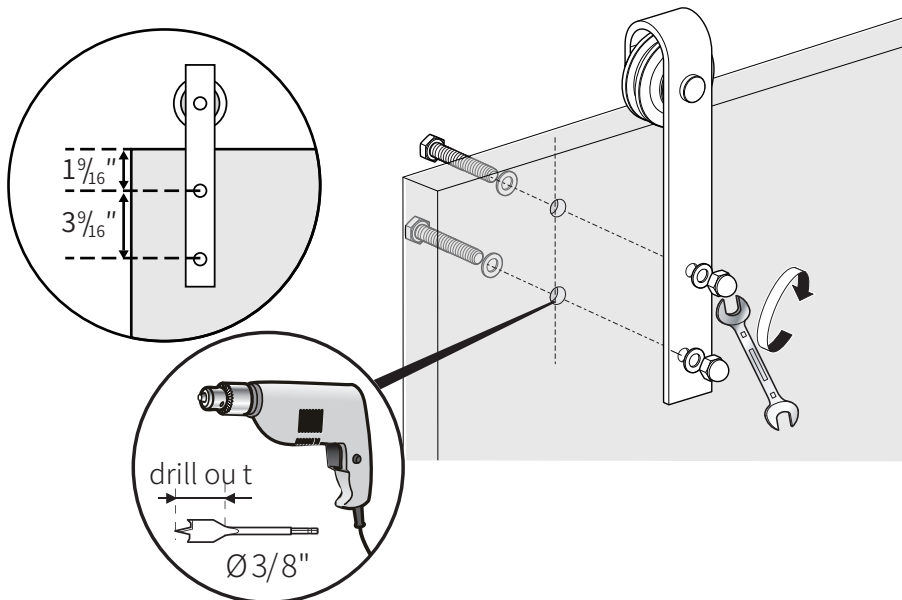
Step-3

Insert door stoppers into rail. Install door stoppers between A-B and C-D
Door stopper is used to prevent the hangers coming out of the rail.



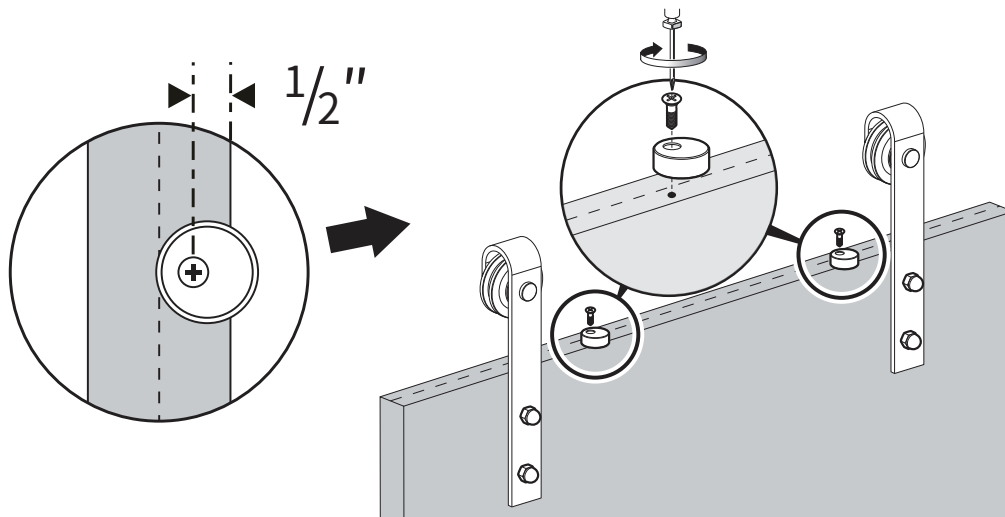
Step-4

Install the hangers onto the door.



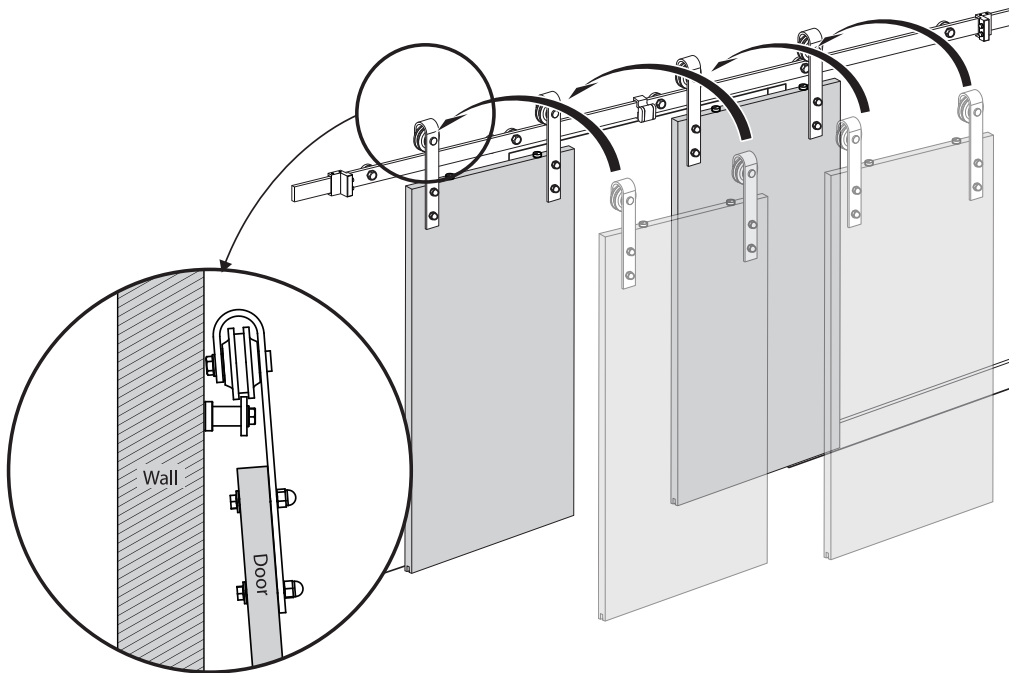
Step-5

The rubber ends are used to protect the door from touching the rail when sliding the door.
You need to drill holes on the door top side, please drill the holes $1/2$ " away from the edge of the door. Then install the rubber ends on the door.



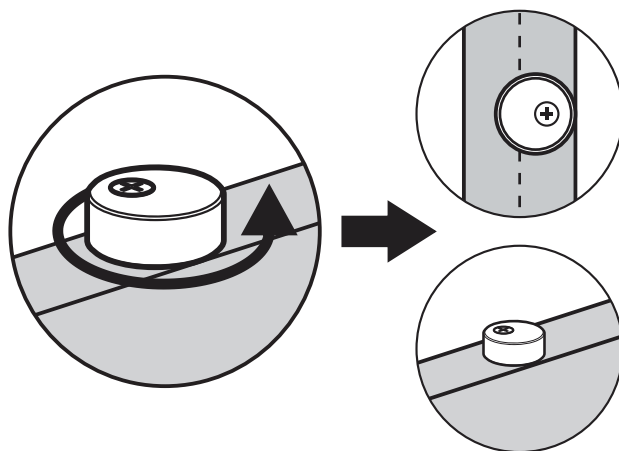
Step-6

Hang the door over the rail.



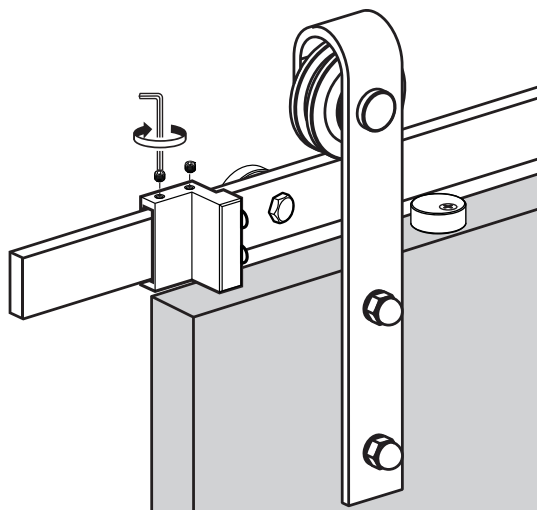
Step-7

Turn the rubber ends approximately 180 degrees so that they are stuck between the door and the rail.



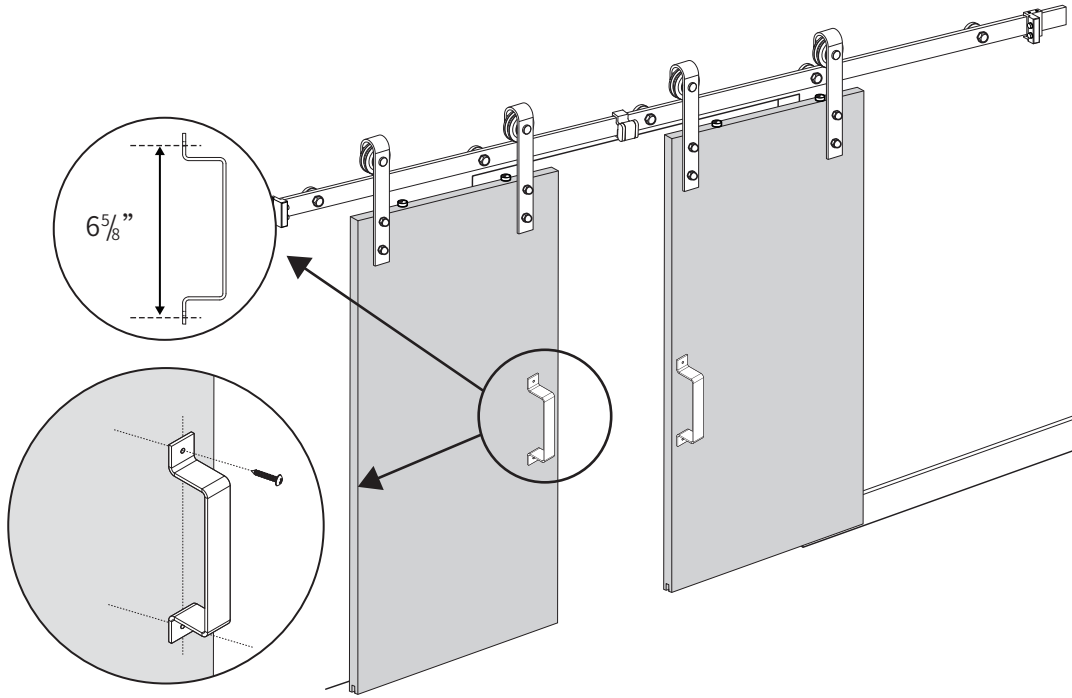
Step-8

Adjust the 2 door stoppers to find a suitable position,
Use the hex key to screw the door stoppers in place.



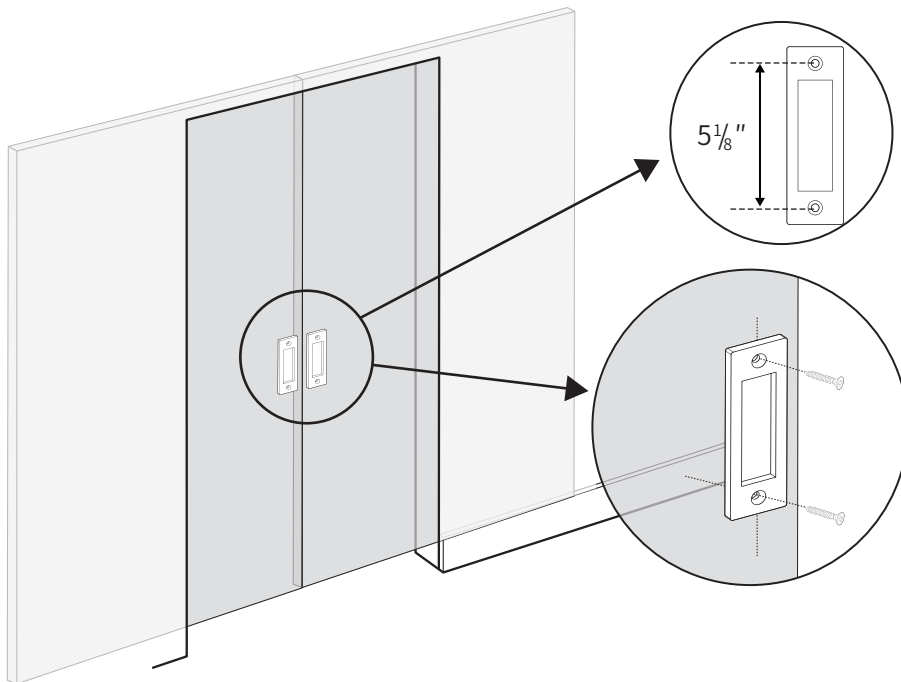
Step-9

Install the handle at suitable position.



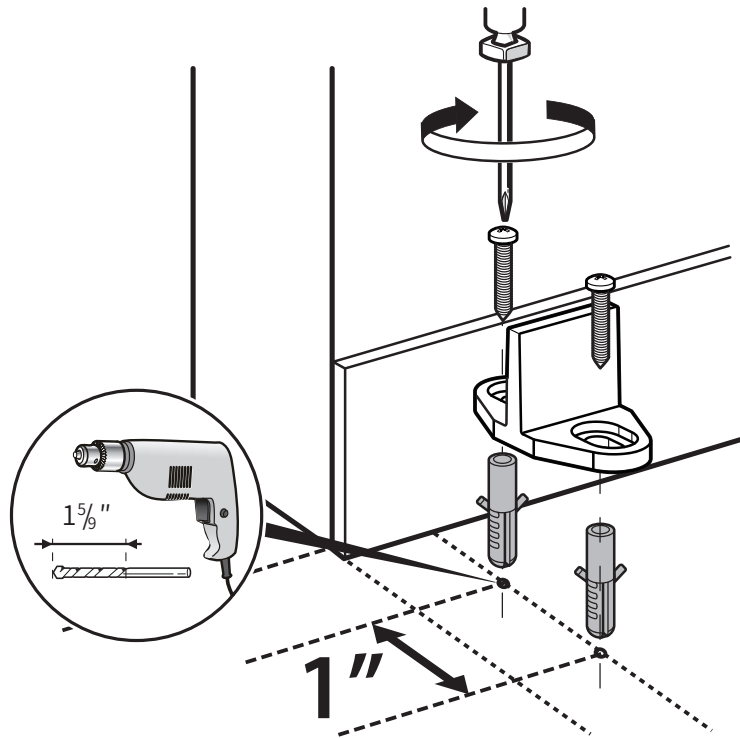
Step-10

Install the flush pull at suitable position.



Step-10

Floor guide is used to keep your door stable and prevent the door bottom swinging back and forth when you slide it open and closed.
Install floor guide as picture below.



WARNING

Failure to wear proper safety gear (i.e., eye protection) may result in injury or death. Always wear proper safety gear before using any power tools.

Improper operation of power tools may result in loss of control, serious injury or death. Always ensure you have complete control of the power tool and the work area is hazard-free before operating any power tools.

Lack of secure clamping of the door may result in unexpected movement of the door, loss of power tool control and serious injury or death. Always securely clamp the door in place before cutting or drilling the door.

Lack of, or improperly installed anti-jump pad may result in the door coming off the track and cause serious injury or death. Installation of anti-jump pads are required for safe operation of this hardware. Installed properly, these anti-jump pads will keep the door securely attached to the track.

CAUTION

Mishandling of heavy objects (i.e., doors) may cause a loss of balance and serious injury. Always be sure to have a secure hold on the object and are balanced before moving the object. Always wear safety shoes when lifting heavy objects.

Getting body parts (i.e., hair, fingers) caught in moving parts may cause pinching and serious injury. Do not put fingers in parts that may move and always remove or contain anything on your body that may become entangled with a moving part.

Closing sliding doors with your hand on the end of the door may result in your hand, or fingers, getting caught between the door and other solid objects (i.e., another door, molding) causing serious injury. Always use the door handle to close doors.

Usage Statement:

Use of excessive force when opening, and closing, the door(s) may result in damage to the hardware. Always hold the handle and gently open and close the door(s).

Warranty Statement:

1 year straight unconditional warranty service enables every single hardware's durability coverage during its life time.

Warranty

Our products come with a 1 year warranty from the date of purchase.

In any event that the product arrives damaged or missing parts, we are more than happy to provide you with replacement part(s).

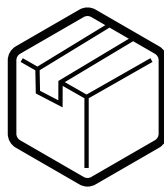
Register your product on our website to enjoy extended warranty!!

Easy Return

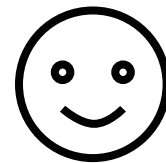
We work hard to make sure order arrives safe and secure, but rest assured we will take care of it if it is not up to standard. If you need replacement parts, Contact us we will send you replacements with no hassle.



Contact Us



Replacement



You

You don't have to worry about re-packaging / schedule pick-up.