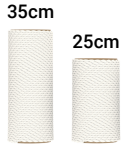



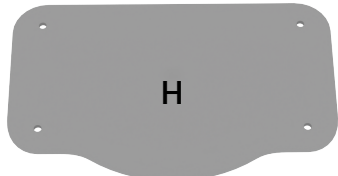
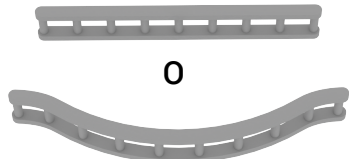
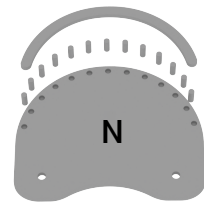



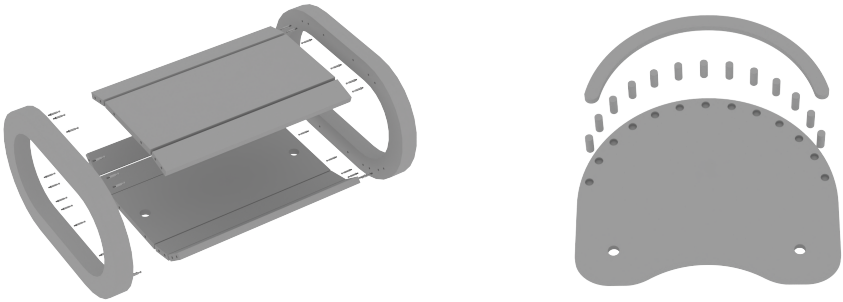
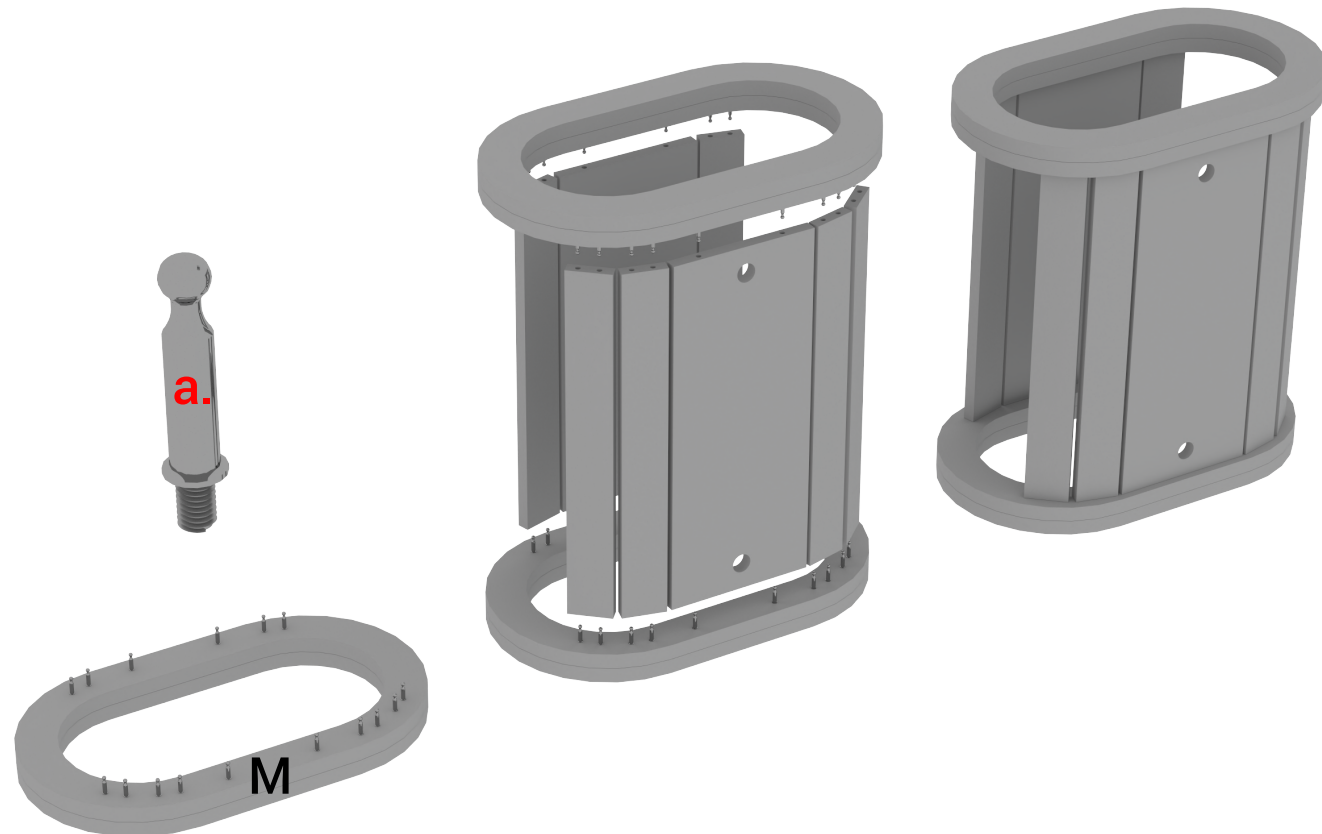


<p><b>Sisal column</b></p>  <p>35cm 25cm</p> <p>F*4 E*20</p>	<p>a.   *64</p> <p>b.   *13</p> <p>c.   *9</p> <p>d.   *4</p>	<p><b>Cat box</b></p>  <p>J *2 K *2 L *12 M *4</p>	<p><b>Double layered chassis</b></p>  <p>G *1</p> <p>43.31" x 23.62" x 1.34"</p>	<p><b>Second floor board</b></p>  <p>I *1</p> <p>43.31" x 23.62" x 0.669"</p>
<p>Used for the overall vertical structural connection of the product, corresponding to the product number at each position.</p>				
<p><b>3rd and 4th floor board</b></p>  <p>H *2</p> <p>43.31" x 27.56" x 0.669"</p>	<p><b>3rd and 4th floor fence</b></p>  <p>O *2</p>	<p><b>Observation deck components</b></p>  <p>N *4</p>	<p><b>Installation tools</b></p>  <p>screwdriver allen key</p>	
		 <p>Nail Free Glue *4</p>	 <p>spare parts</p>	
 <p>For the convenience of installation, it is recommended to assemble these in advance, and then install the overall part from bottom to top.</p>		<p><b>Attention: To protect the durability of the wood and product, the surface of the solid wood of the product is coated with natural wood wax oil which is environmentally friendly, non-toxic, and odorless, and disposable gloves can be worn during installation.</b></p>		

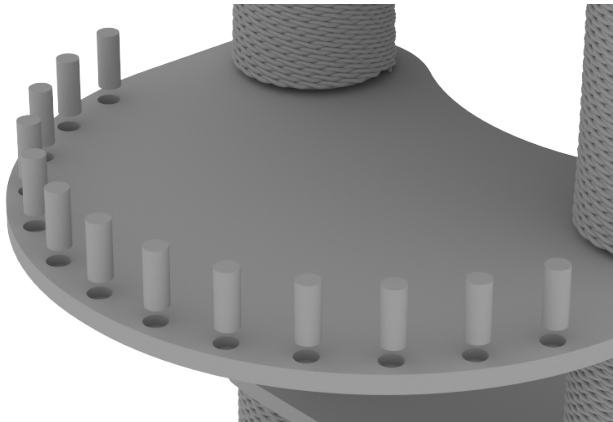
# I: Cat Box Installation

1. Pre screw all the screw holes on the **M** accessory with **(a.)** screw.
2. Insert the **JKL board** into screw **(a.)** according to the position relationship in the diagram, first insert the lower half, and then align the upper half.
3. After aligning the screw with the hole position, press it evenly on both sides to make it firm and seamless. If the force is small, use thick paper to pad it on the wooden board and then use a tool to strike it.

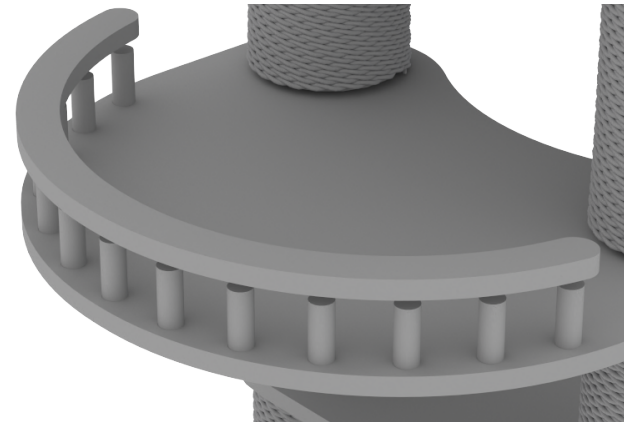


## II: Installation of viewing platform

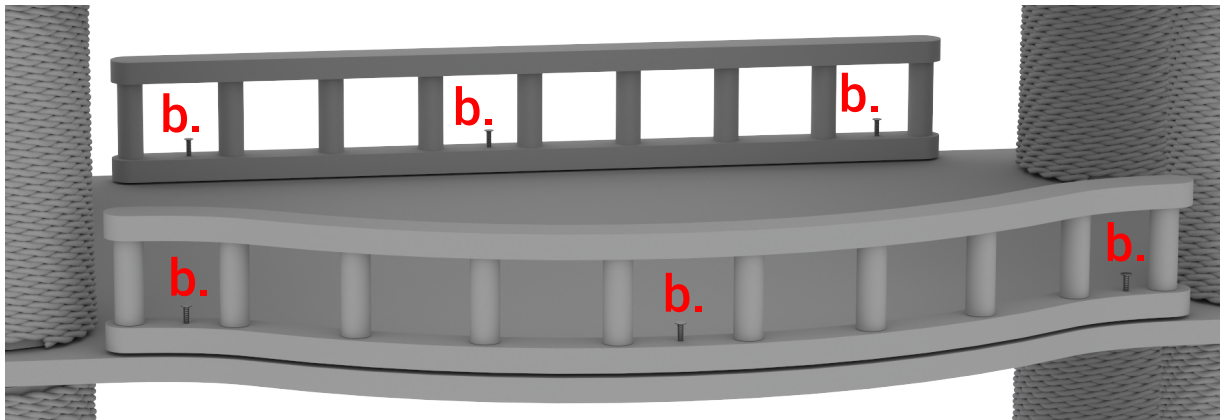
1. Squeeze an appropriate amount of glue into the hole, and then insert the small pillar into it.



2. Squeeze an appropriate amount of glue into the hole of the fence, carefully align the fence from left to right, then slowly press it in, and let it dry naturally to fix.

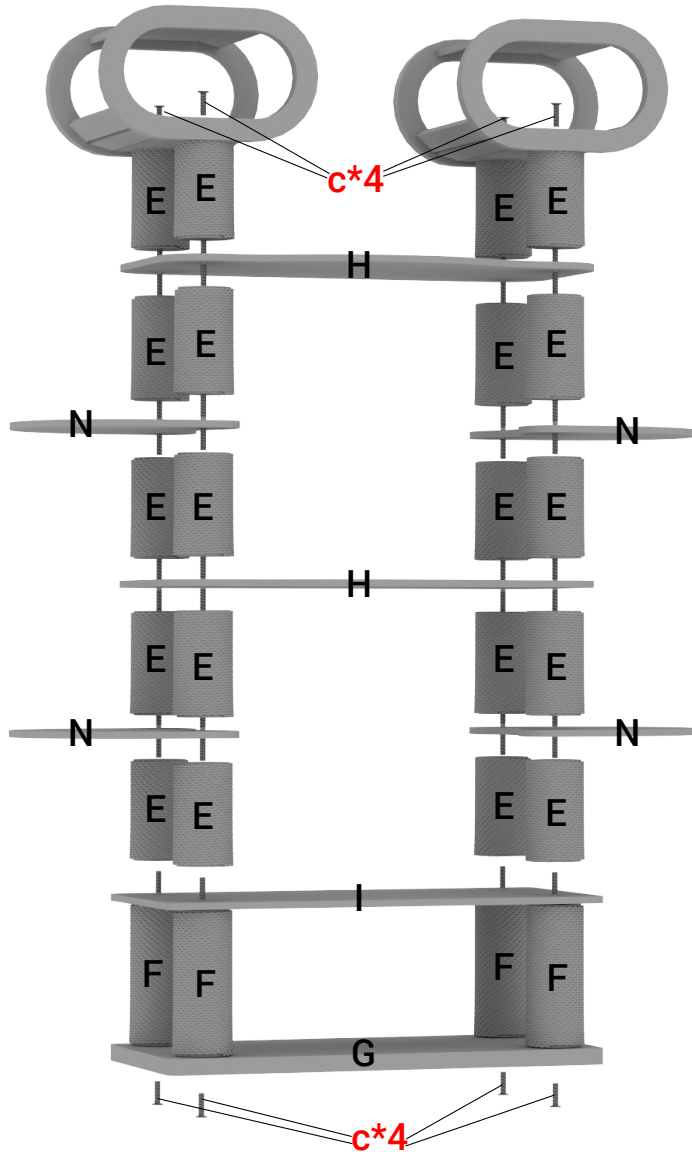


3. Use (b.) screws to fix the large fence in the middle.

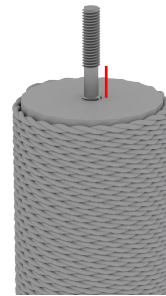


### III: Installation of viewing platform

1. Squeeze an appropriate amount of glue into the hole, and then insert the small pillar into it.



#### Installation diagram of d. screws



The part that contact with the wooden board.

Leave the unthreaded part on the outside, and the unthreaded part contacts the wooden board.

**d.**

Used as screws connecting columns to each other.

**c.**

Unidirectional fixation.

### IV: Overall assembly

1. Starting from the chassis, connect and fix from bottom to top. If the torque of the electric screwdriver is small, manually tighten the screws.

