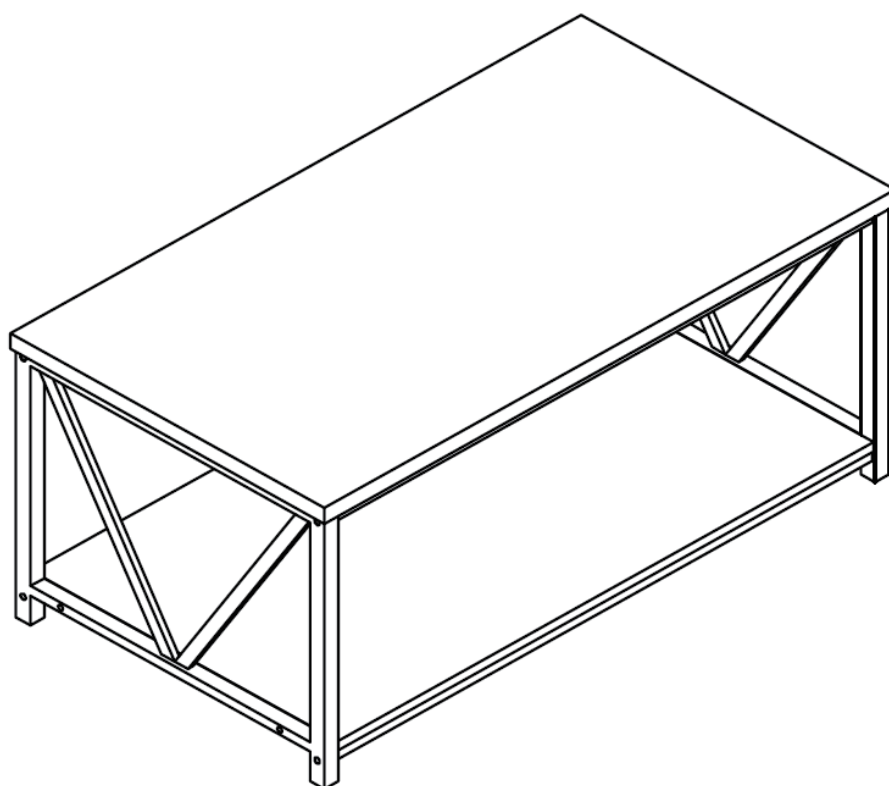


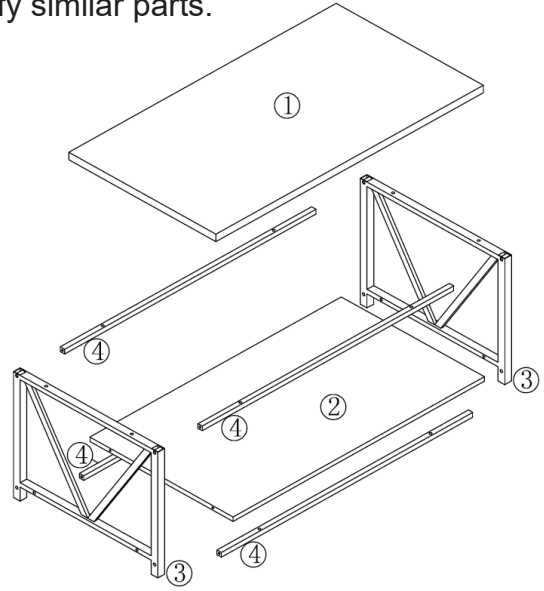
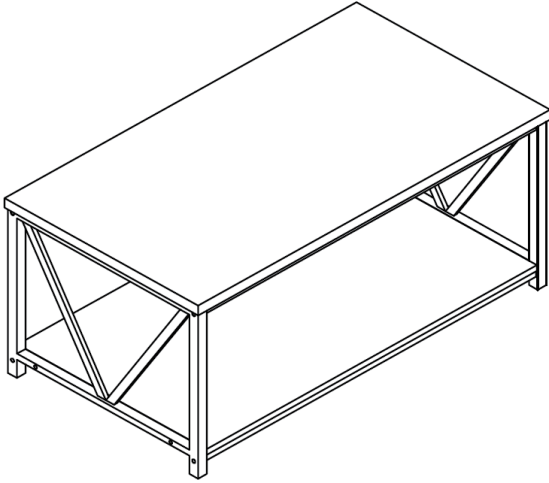
# ASSEMBLY INSTRUCTION

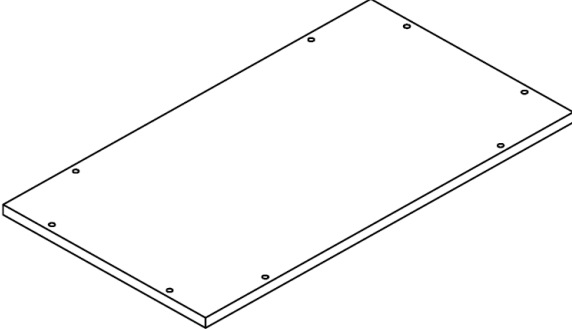
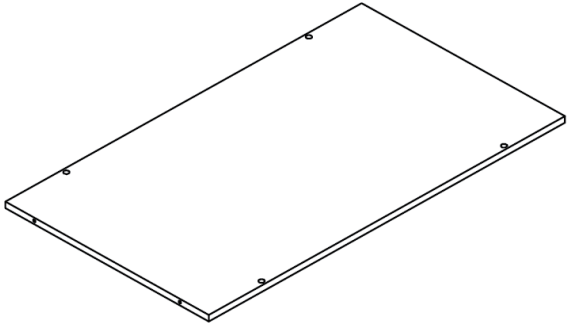
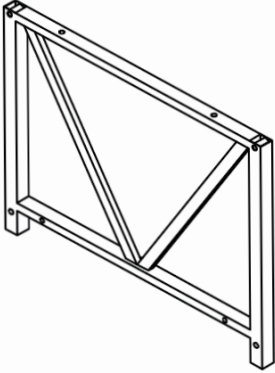
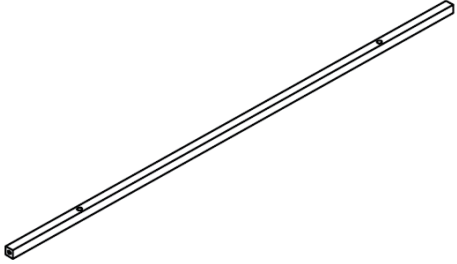




## Coffee Table



# Part Identification

While not all parts are labeled, some of the parts will have a label to help distinguish similar parts from each other. Use this part identification to help identify similar parts.

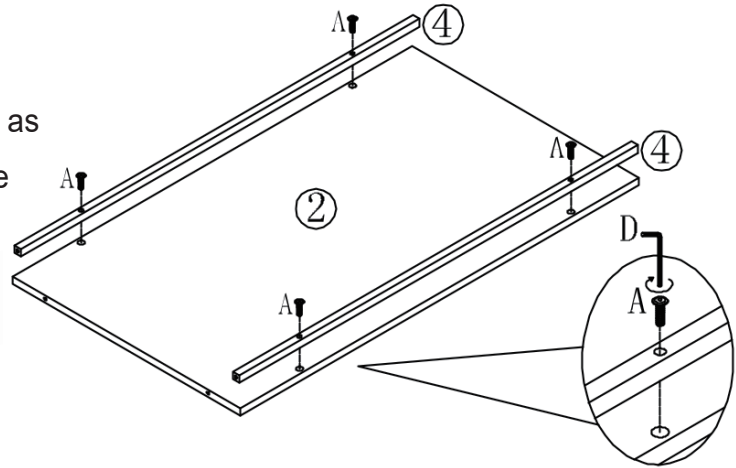


<p>①</p>  <p>Table Top 1 pc</p>	<p>②</p>  <p>Bottom Shelf 1 pc</p>		
<p>③</p>  <p>Metal Frame 2 pcs</p>	<p>④</p>  <p>Metal Tube 4 pcs</p>		
<p>A</p>  <p>Short Bolt M6*25mm 12 pcs</p>	<p>B</p>  <p>Long Bolt M6*45mm 8 pcs</p>	<p>C</p>  <p>Screw Ø7*60mm 4 pcs</p>	<p>D</p>  <p>Allen Key 1 pc</p>

# Step 01

NOTE: DO NOT fully tighten all bolts at this step.

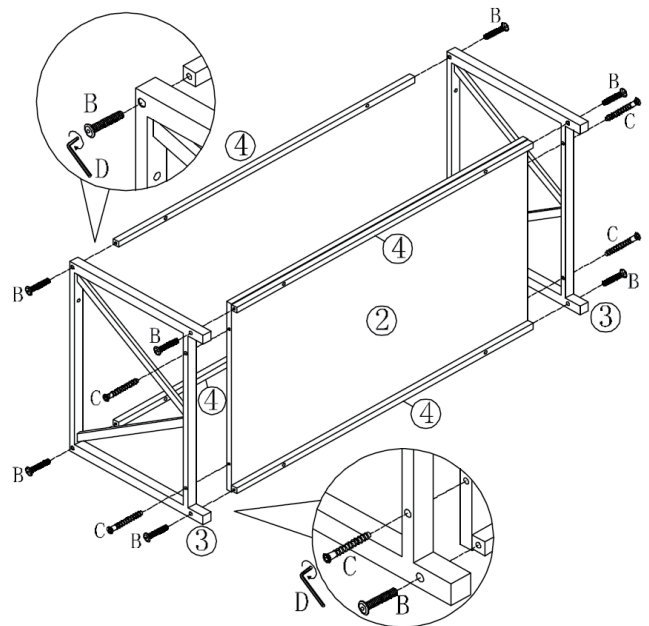
- 🔧 Lay the Bottom Shelf(②) on a clean smooth surface such as carpet or cardboard. Align and fix 2 Metal Tubes(④) to the Bottom Shelf(②) with Short Bolts(A) by Allen Key(D). Do not fully tighten all bolts at this step.



# Step 02

NOTE: DO NOT fully tighten all bolts at this step.

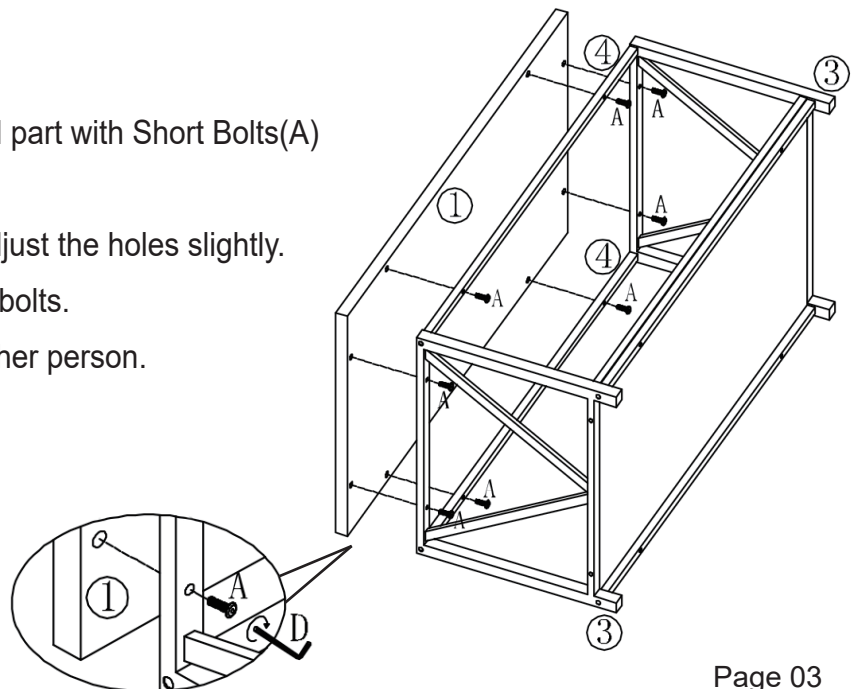
- 🔧 2.1 Lay the Metal Frames(③) parallel to each other, attach and align the Metal Tubes(④) to Metal Frames(③) with Long Bolts(B) by Allen Key(D).
- 2.2 Fix Metal Frames(③) to Bottom Shelf(②) with Screws(C) by Allen Key(D). Do not fully tighten all bolts at this step.



# Step 03

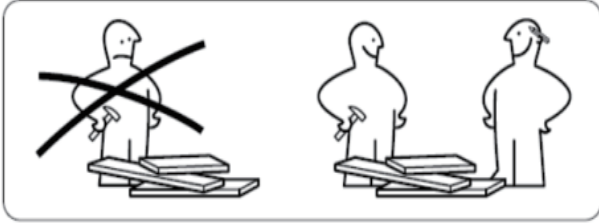
NOTE: If holes don't align, loosen all bolts and adjust the holes slightly. After all holes are aligned, fully tighten all bolts.

- 🔧 3.1 Attach the Table Top(①) to the assembled part with Short Bolts(A) by Allen key(D). If holes don't align, loosen all bolts and adjust the holes slightly. After all holes are aligned, fully tighten all bolts.
- 3.2 Flip the table upright with the help of another person.

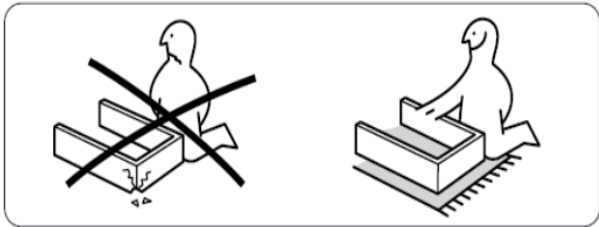


# ASSEMBLY TIPS

1. Please read the assembly instructions first and become familiar with the parts.
2. Proper assembly of this item requires 2 people.



3. Unpack and assemble this unit in an spacious area, assemble the unit on top of the empty carton or carpet to prevent scratches.



4. To avoid accidentally discarding small parts or hardware, DO NOT dispose of any contents until assembly is completed.
5. **Do not fully tighten all bolts until all parts are in place.** Failure to follow these instructions may cause the bolts to misalign during assembly.

# CARE INSTRUCTIONS

- (1) Hardware may loosen overtime. Periodically check that all connections are tight.
- (2) Wipe with a soft, dry cloth. To protect finish, avoid the use of chemicals and household cleaners.
- (3) All hot serving dishes should be placed on a pad.
- (4) Any liquid spilled onto the furniture should be cleaned up immediately with a dry cloth.