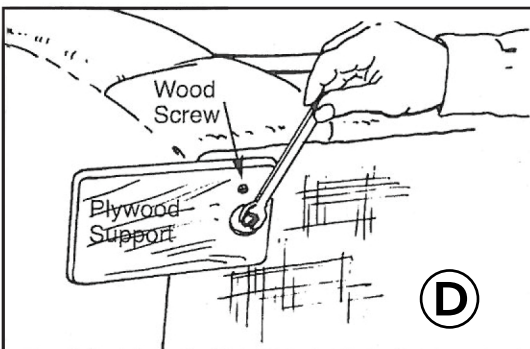
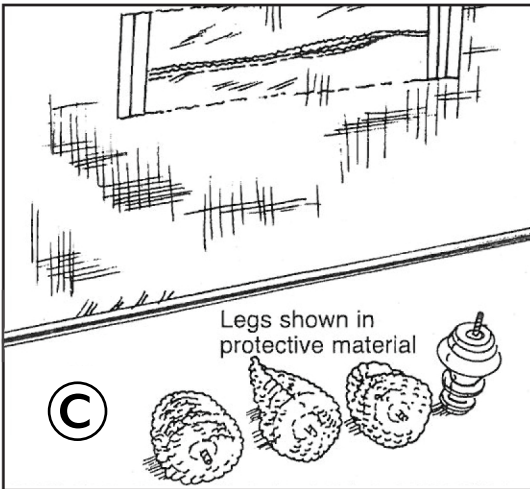
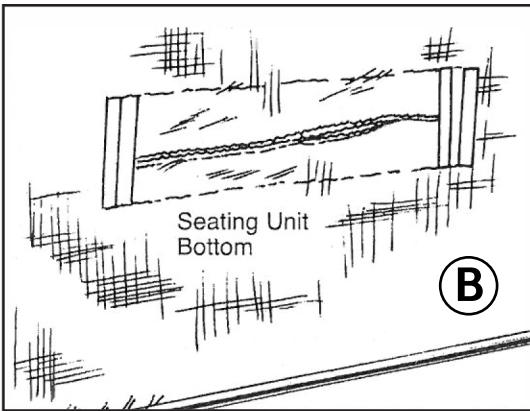
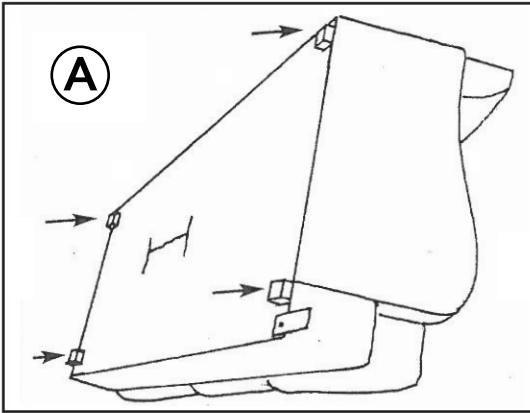


LEG STORAGE AND ATTACHMENT INSTRUCTIONS



1. Remove cardboard and plastic shipping material from seating unit.
2. Tilt unit forward from rear until it rests on the ottoman/footrest.
(see diagram A)
3. Remove 4 wooden blocks from unit. (see diagram A)
4. Find zippered storage pouch in bottom of seating unit.
(see diagram B)
5. Seating unit legs are shipped inside zippered pouch. Remove legs from pouch and unwrap protective material. (see diagram C)
NOTE - Leg style may vary.
6. If unit has plywood support, use 1/2 inch wrench and remove bolt. After removing bolt, use a phillips head screwdriver to remove the wood screw. (see diagram D)
7. Locate threaded leg attachment hole in bottom corners and center of unit depending on 4, 5 or 6 leg package. Line up bolt in bottom of leg with threaded hole and screw into place until tight.
(see diagrams E and F)
8. When all legs are secure in place, tip seating unit to upright position and enjoy.

