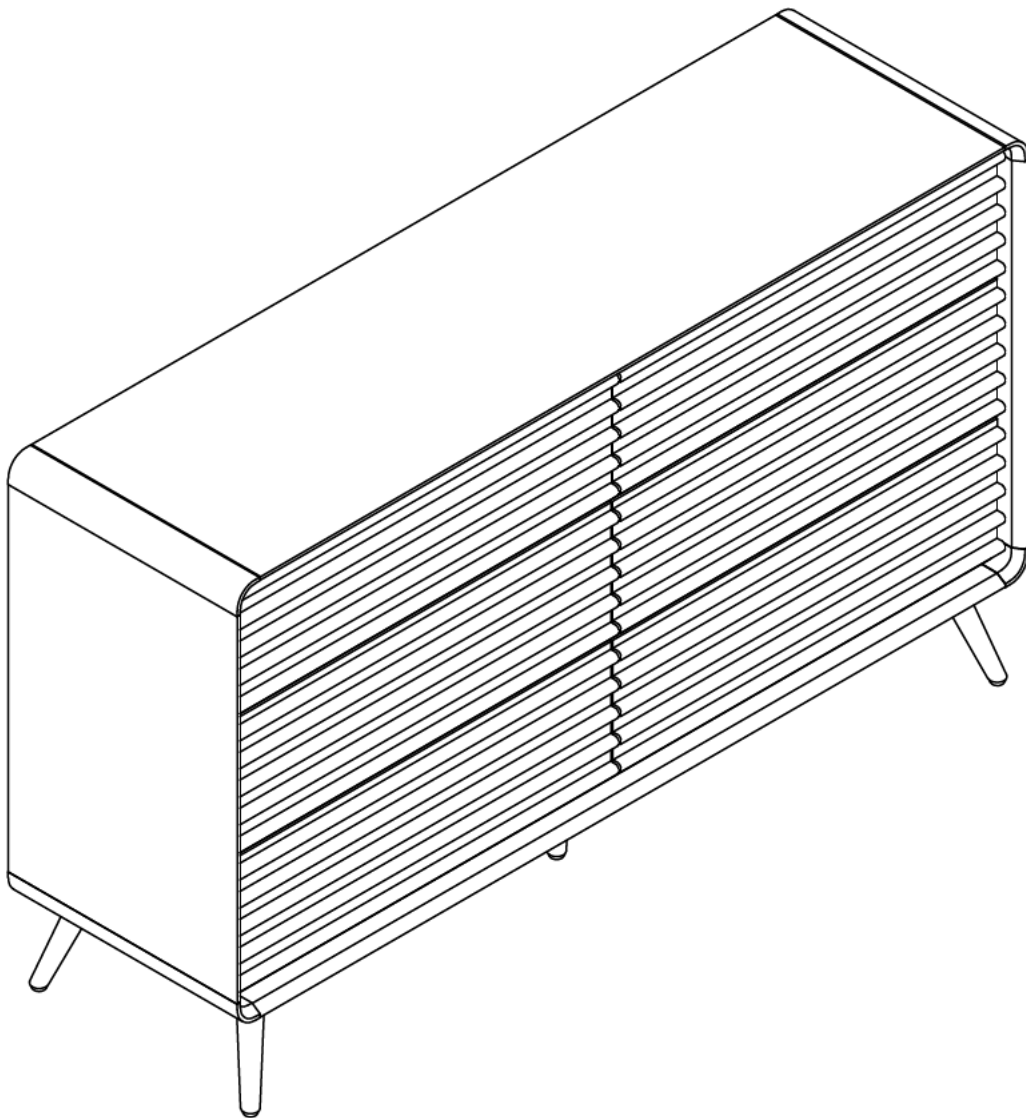
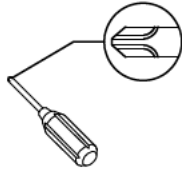


# Assembly Instructions

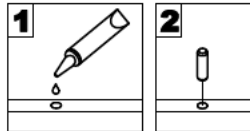


# General Assembly Guidelines

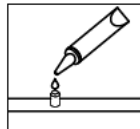
- I. Ensure that all parts and hardware are available before beginning assembly.
- II. Follow each step carefully to ensure the proper assembly of this product.
- III. Two people are recommended for ease in the assembly of this product.
- IV. A Phillips head screwdriver is required for the assembly of this product .



- V. The provided glue is to secure wood dowels in place . When first inserting dowels , locate the appropriate hole for the dowel , place a small amount of glue in the hole and insert the dowel . Wipe away excess glue immediately.

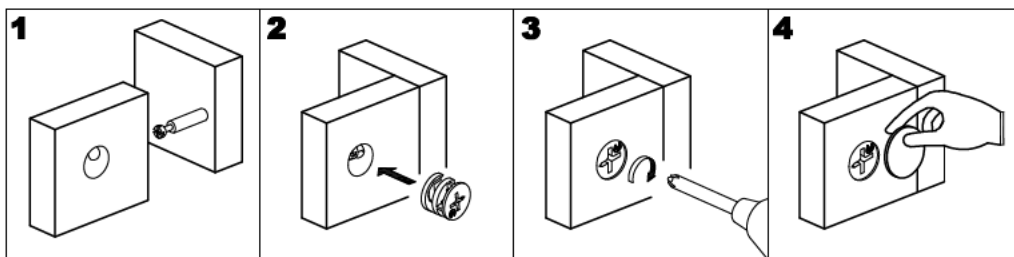


In future assembly steps when dowels are necessary to attach assembly parts together , place a small amount of glue on the end of the dowel before attaching parts together . Wipe away excess glue immediately.

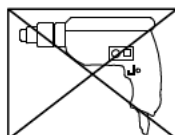


## VI HOW THE KNOCK DOWN (KD) ASSEMBLY SYSTEM WORKS

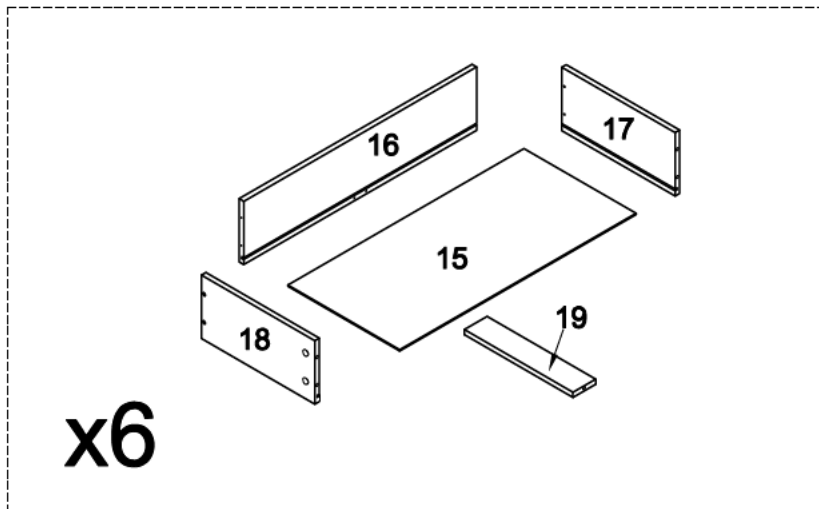
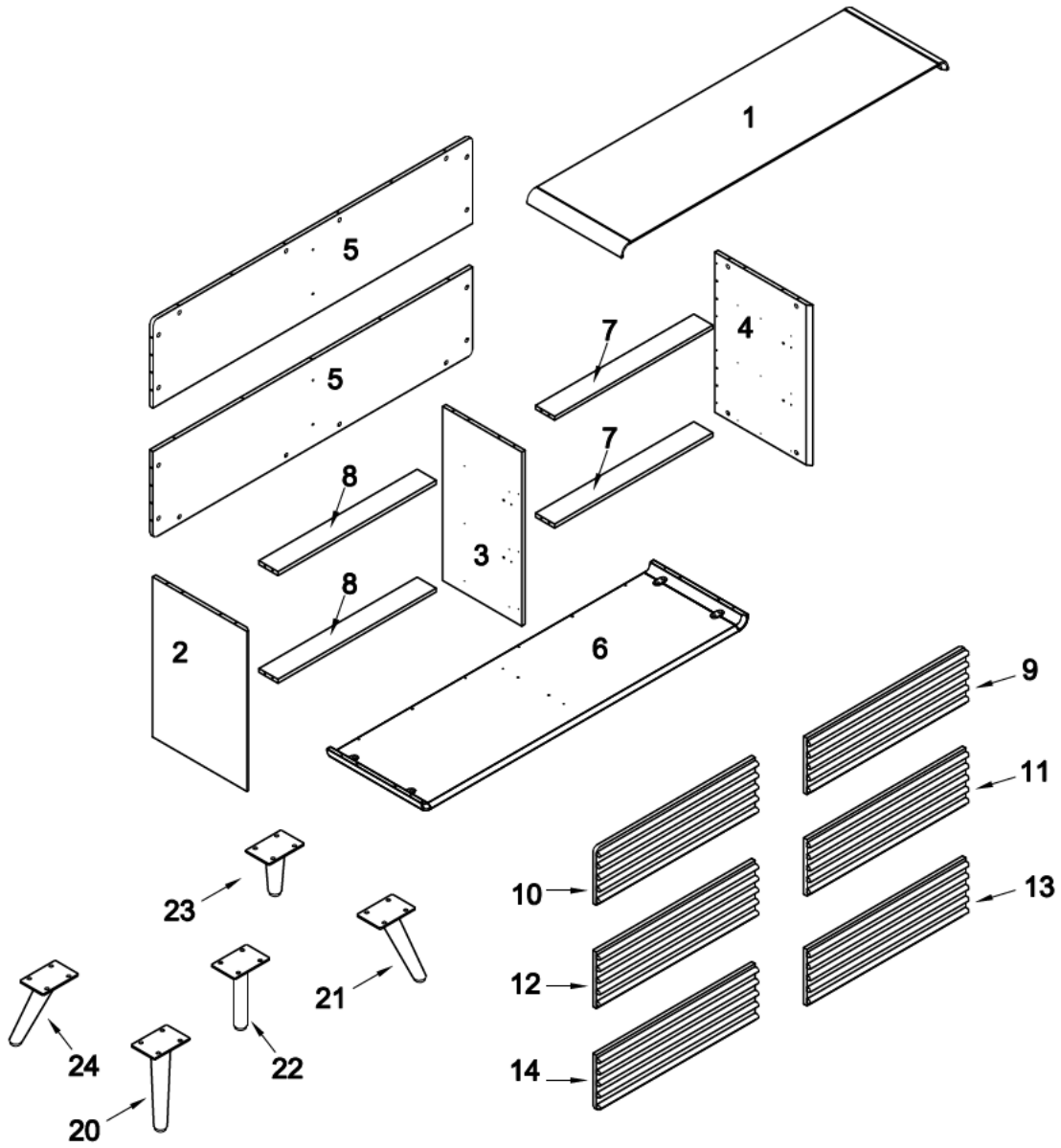
- 1.Screw the Cam Bolt into the pre-drilled hole on the panel. Make sure Cam Bolt goes into the pre-drilled hole on the end of panel for Cam Lock.
- 2.Insert the Cam Lock into the pre-drilled large hole on the panel. Make sure the arrow on the face of Cam Lock points towards Cam Bolt.
- 3.Take a Phillips screwdriver and rotate the Cam Lock clockwise to lock the Cam Bolt.
- 4.Use the sticker to conceal the Cam.







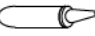











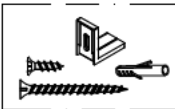
- VII. Power tools should not be used to assemble this product .

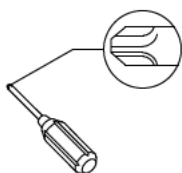


# Parts List



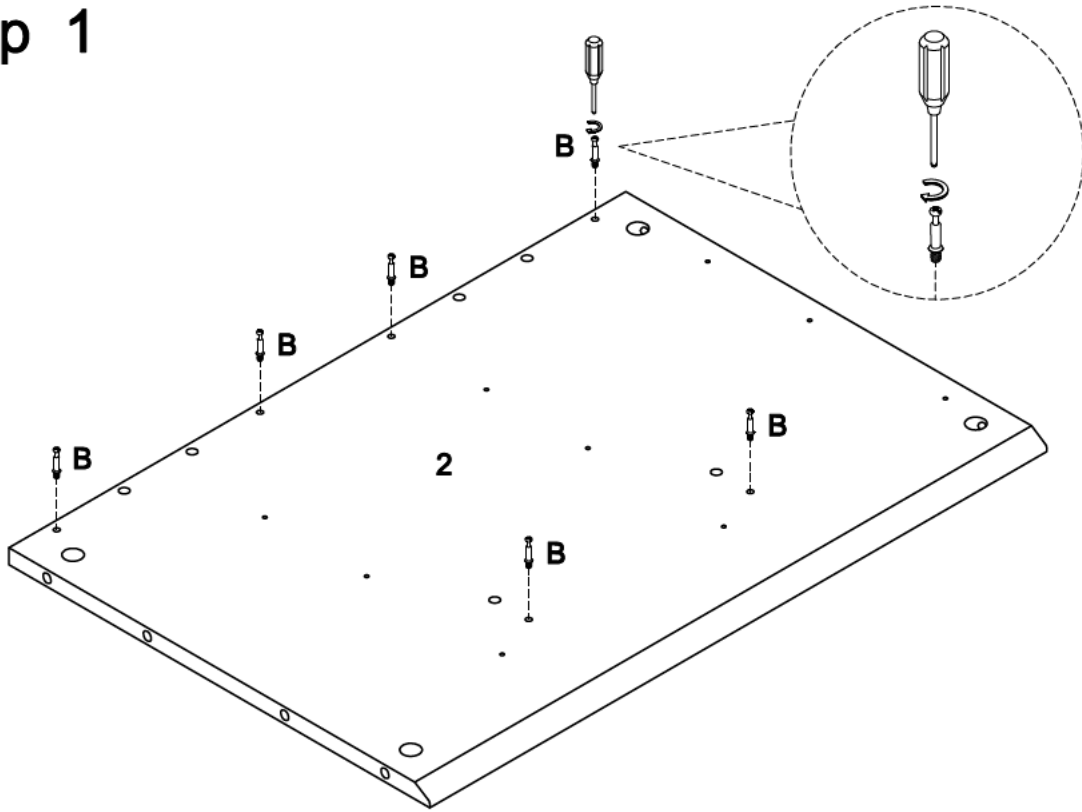
# Hardware List

A		Ø8x30mm	Dowel	34 pcs
B		Ø6x35mm	Cam bolt	66 pcs
C		Ø15x11mm	Large Cam lock	36 pcs
D		Ø30mm	Cam cover	66 pcs
E			Glue	1 pc
F		Ø15x9.5mm	Small Cam lock	30 pcs
G		Ø4x38mm	Screw	36 pcs
H		M 4	Allen wrench	1 pc
I		Ø6x50mm	Hex head screw	2 pcs
J		Ø6x13mm	Bolt	20 pcs
K		Ø8x40mm	Long Dowel	5 pcs
L		Ø3.5x12mm	Screw	72 pcs
M		12"	Left Glide Track	6 pcs
N		12"	Right Glide Track	6 pcs
P		12"	Left Glide Runner	6 pcs
Q		12"	Right Glide Runner	6 pcs
R			Tipping Restraint Hardware	2 sets

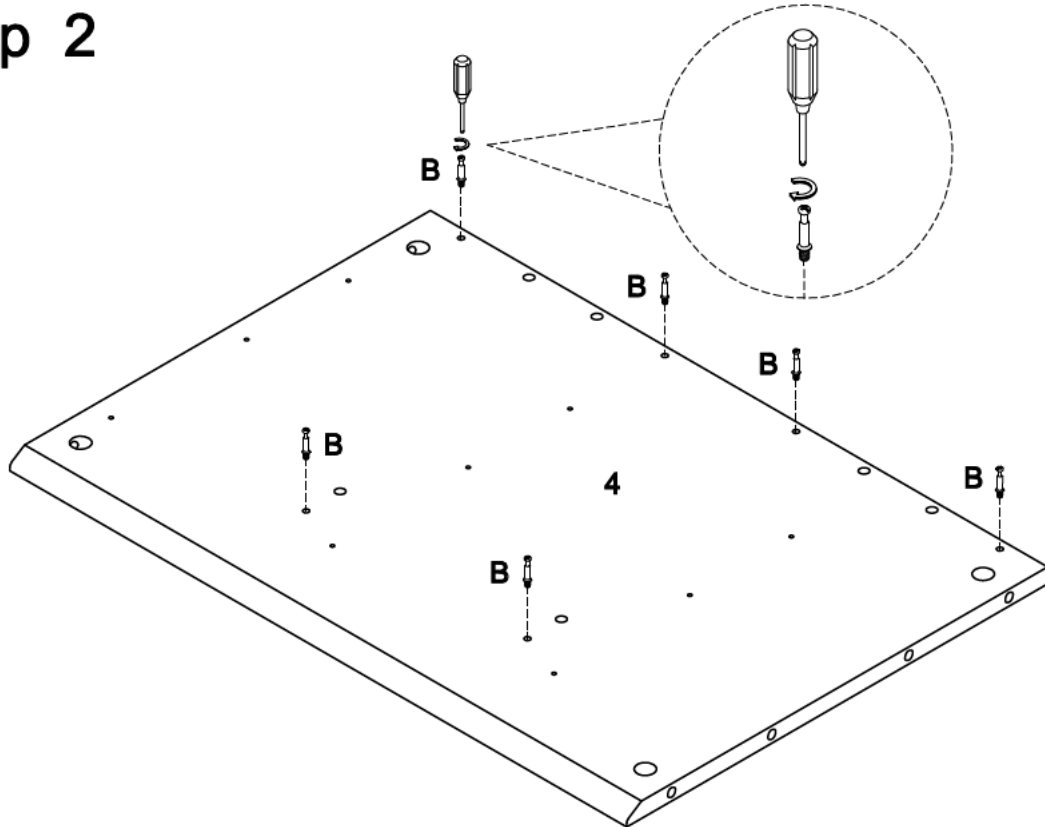


Philips head screwdriver required for assembly  
(not included)

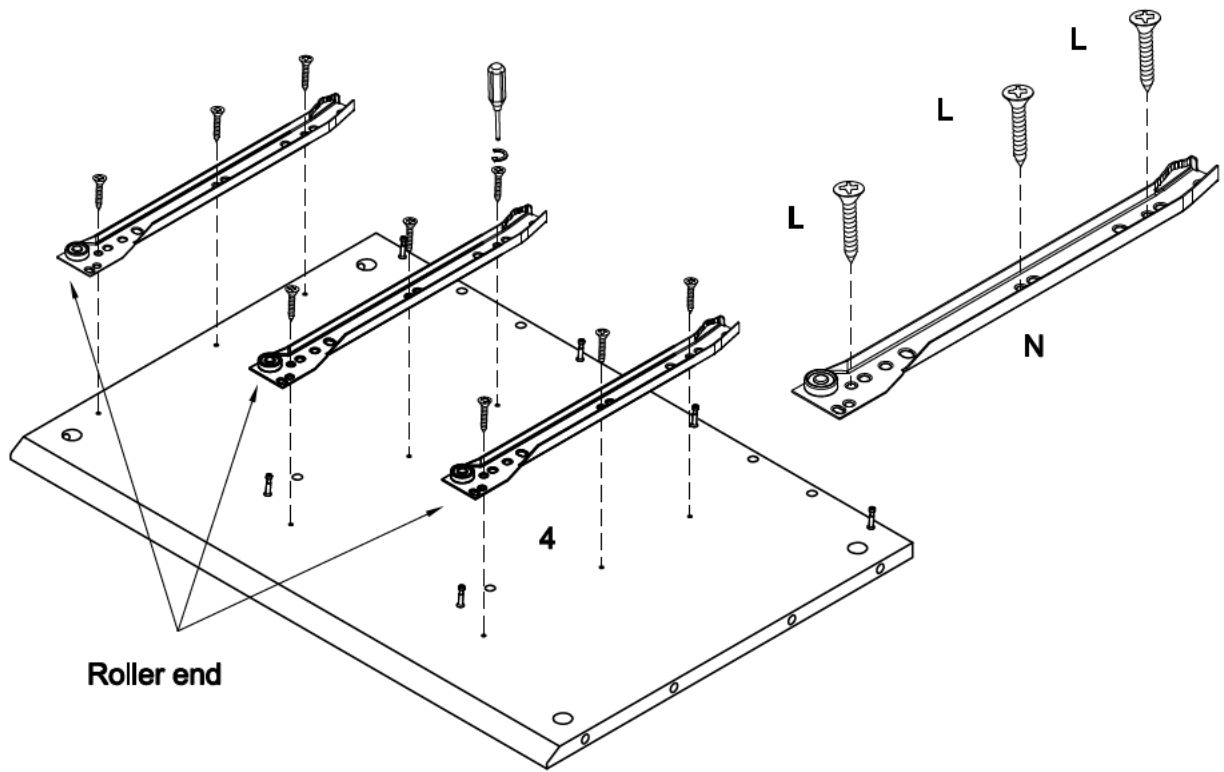
# Step 1



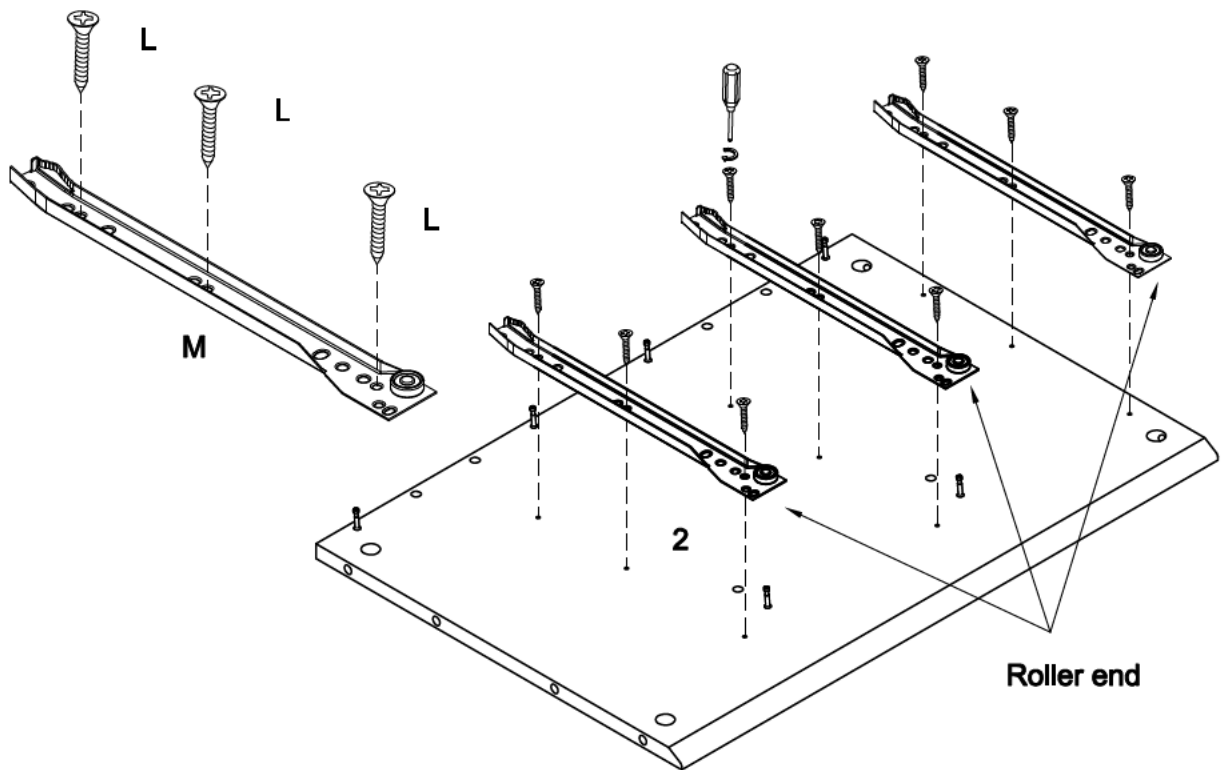
# Step 2



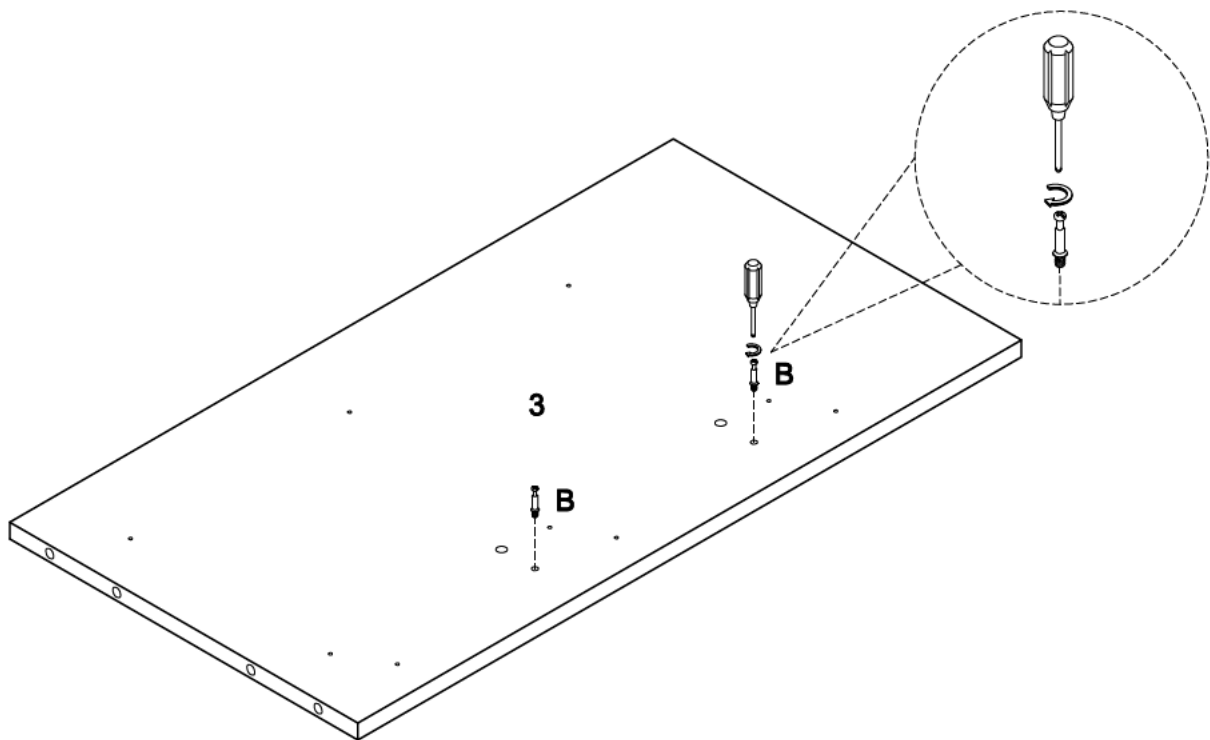
### Step 3



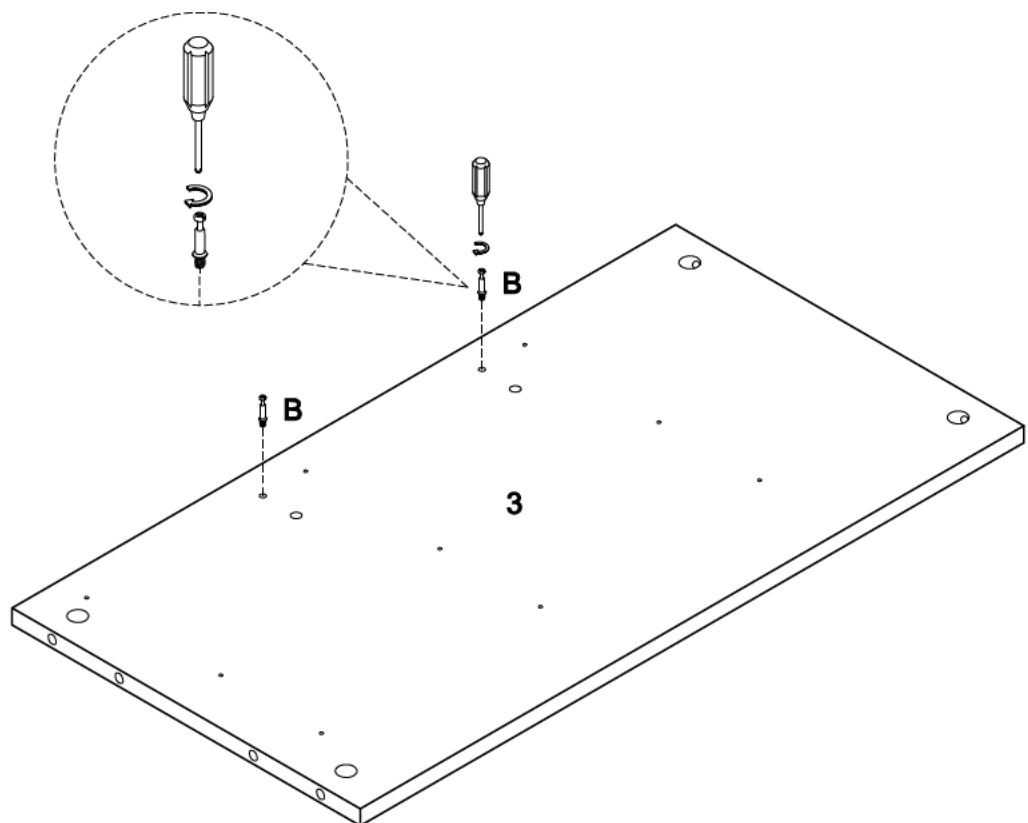
### Step 4



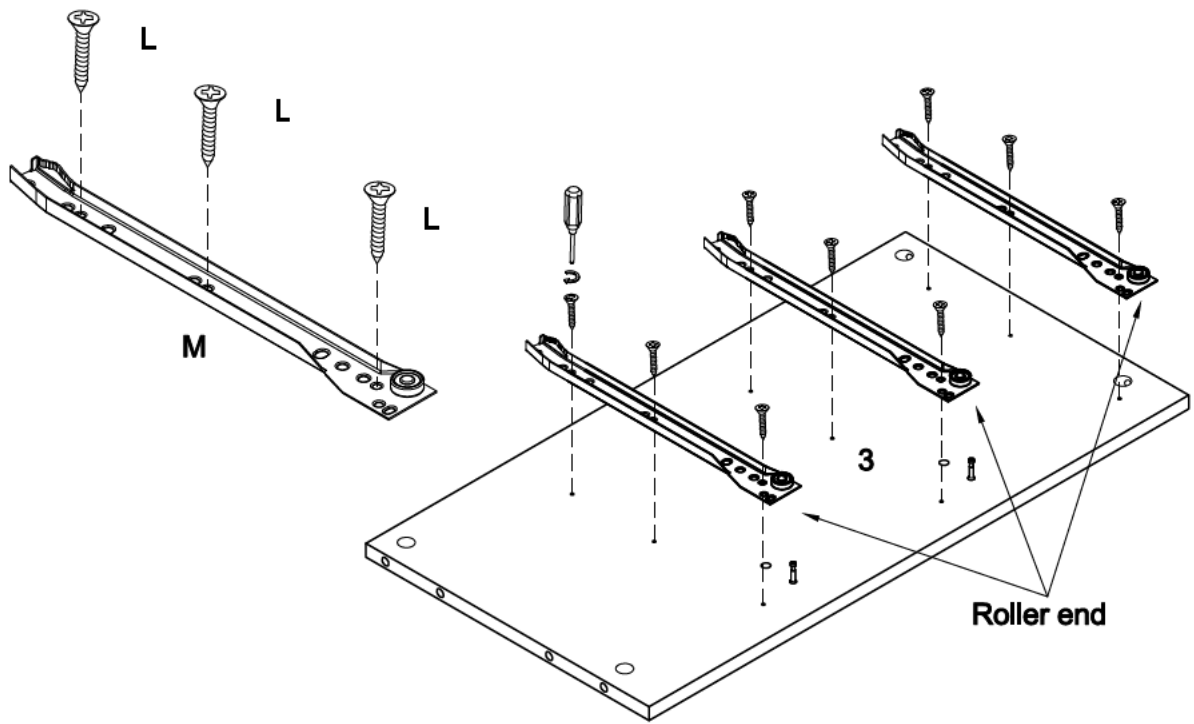
## Step 5



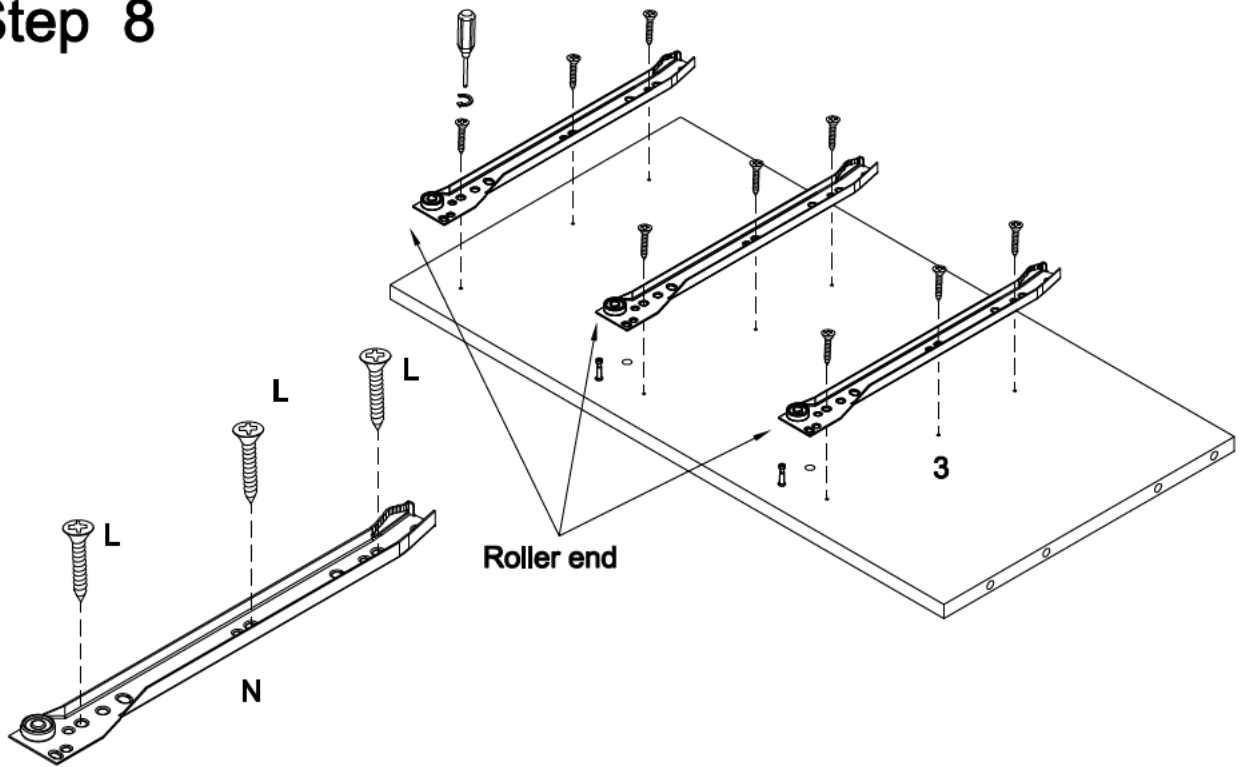
## Step 6



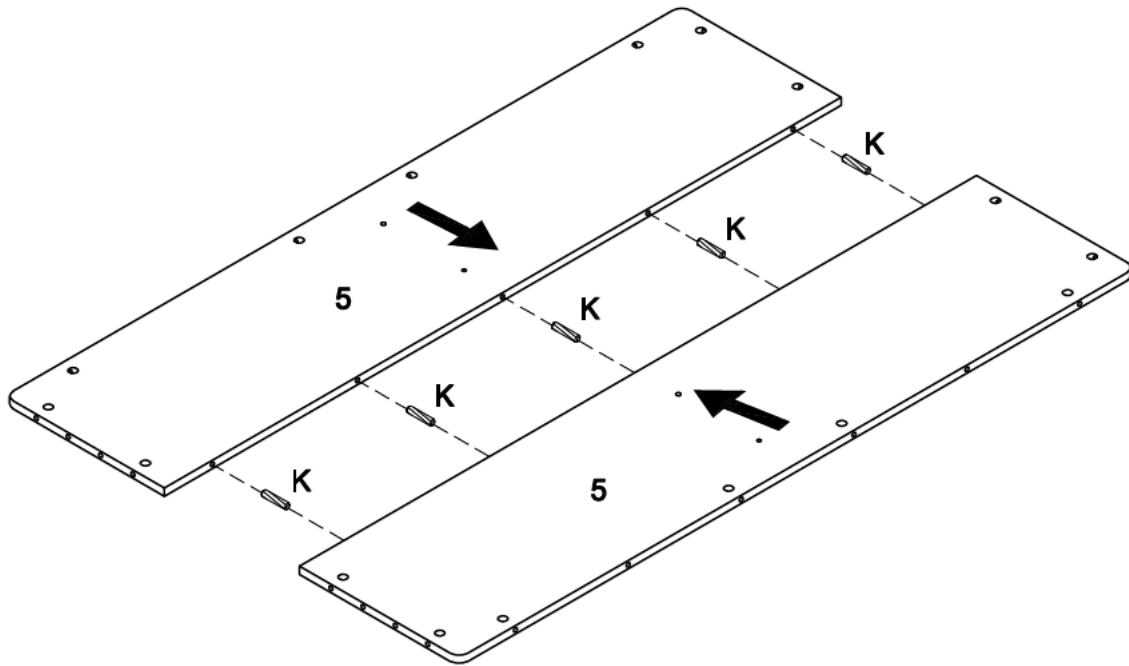
## Step 7



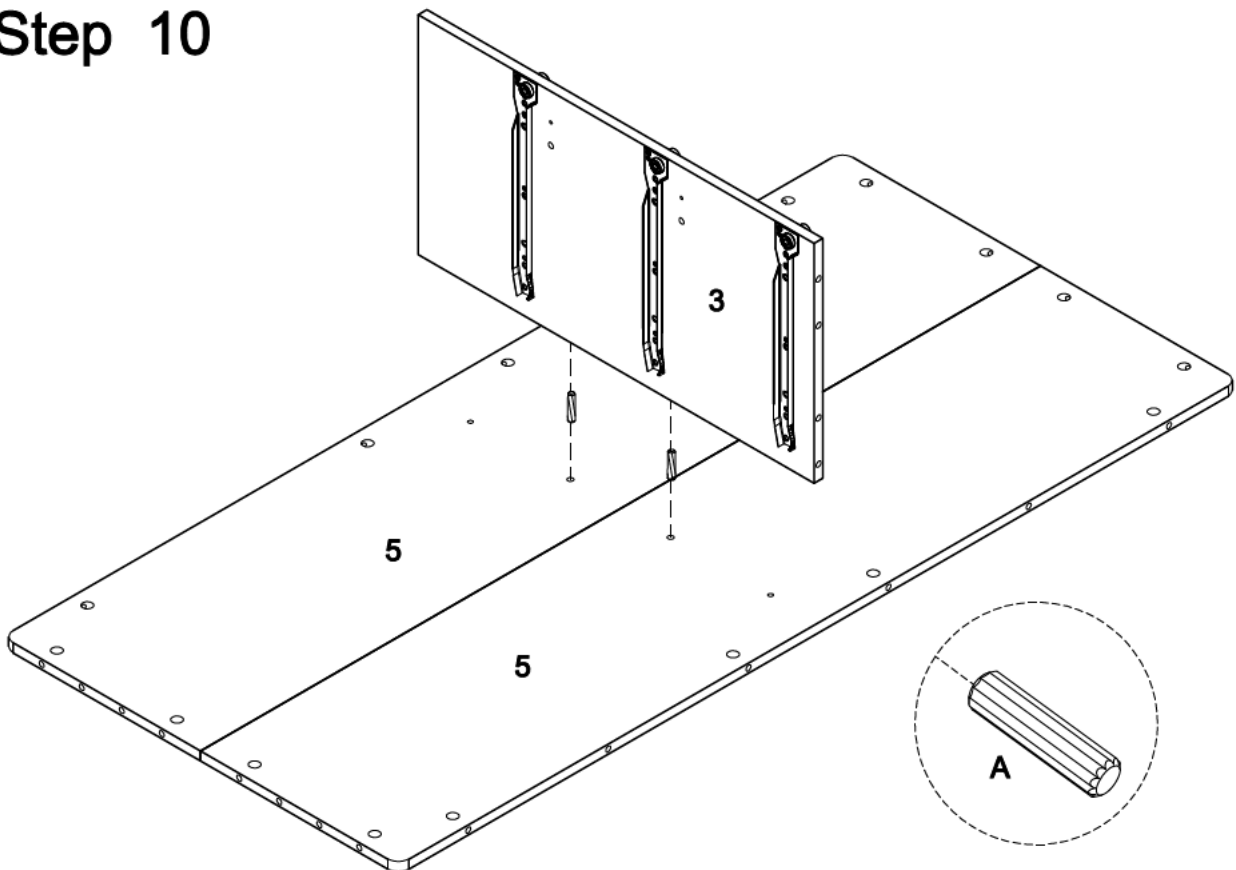
## Step 8



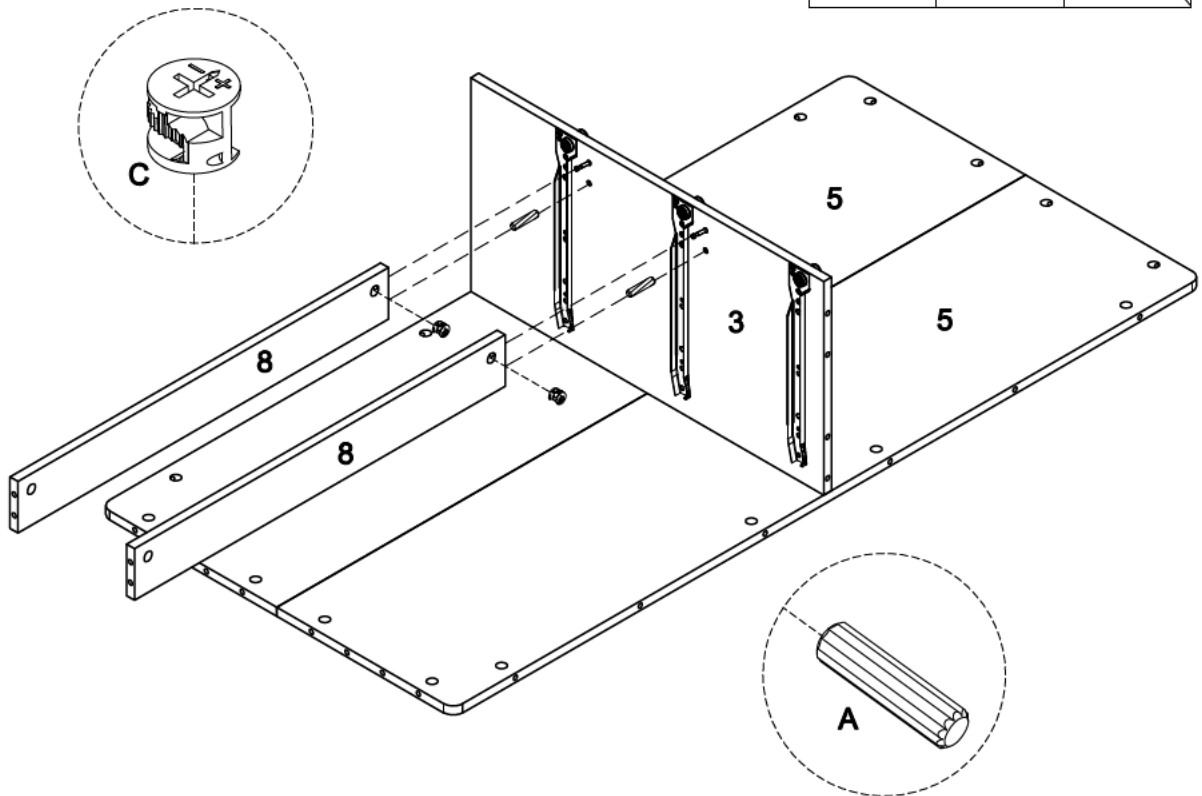
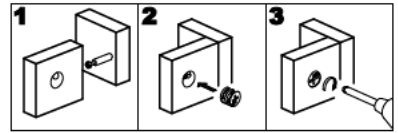
## Step 9



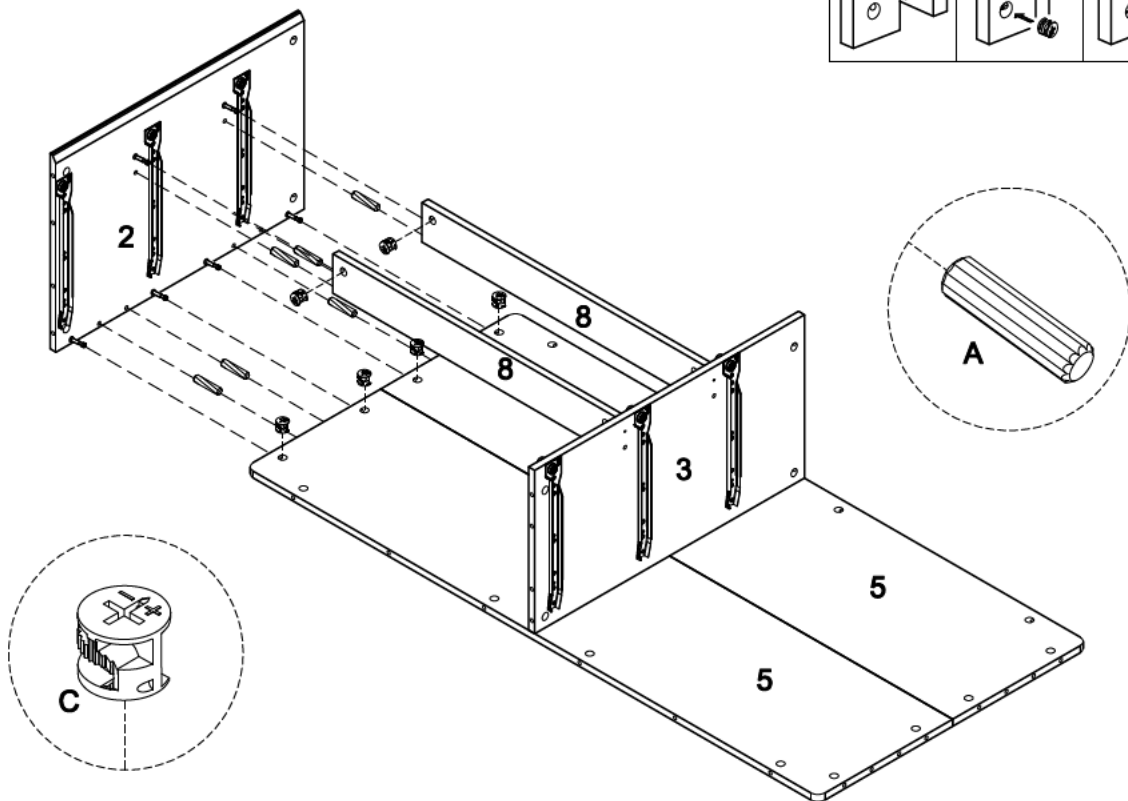
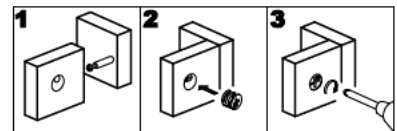
## Step 10



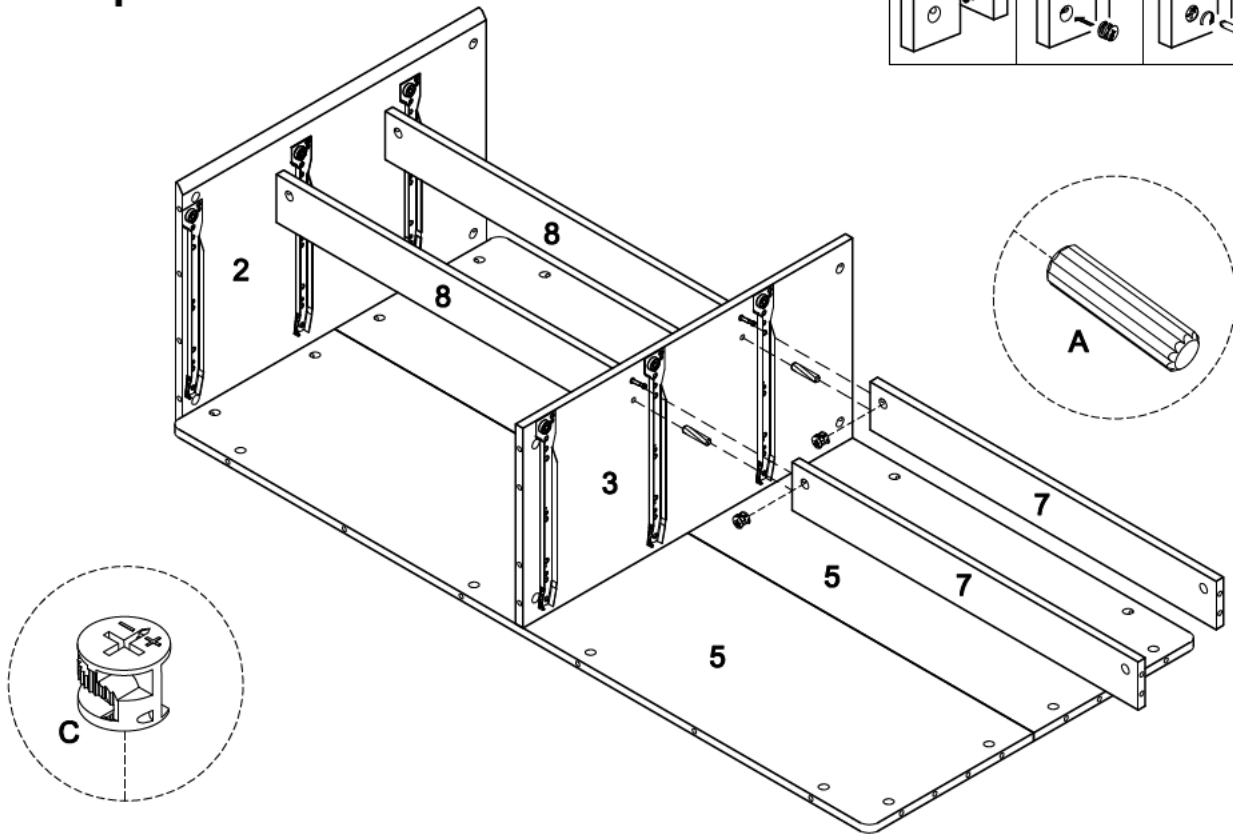
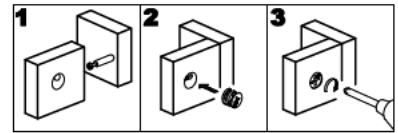
# Step 11



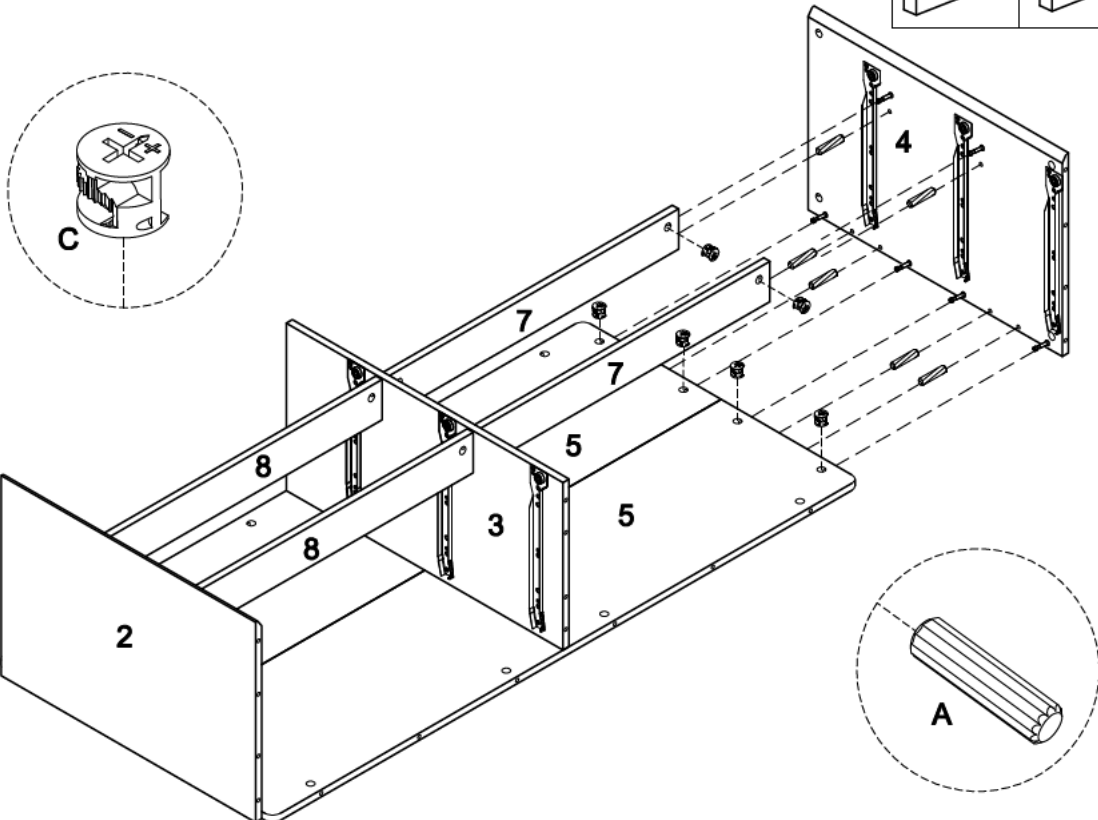
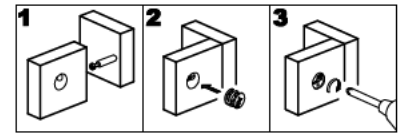
# Step 12



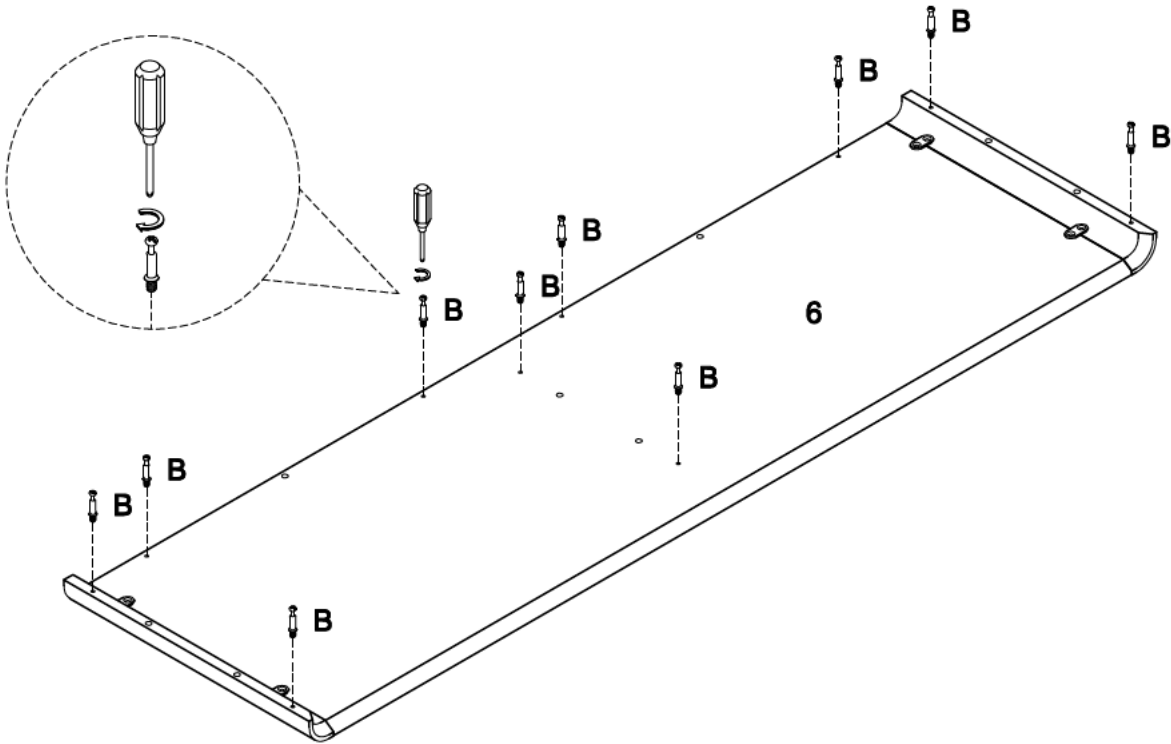
# Step 13



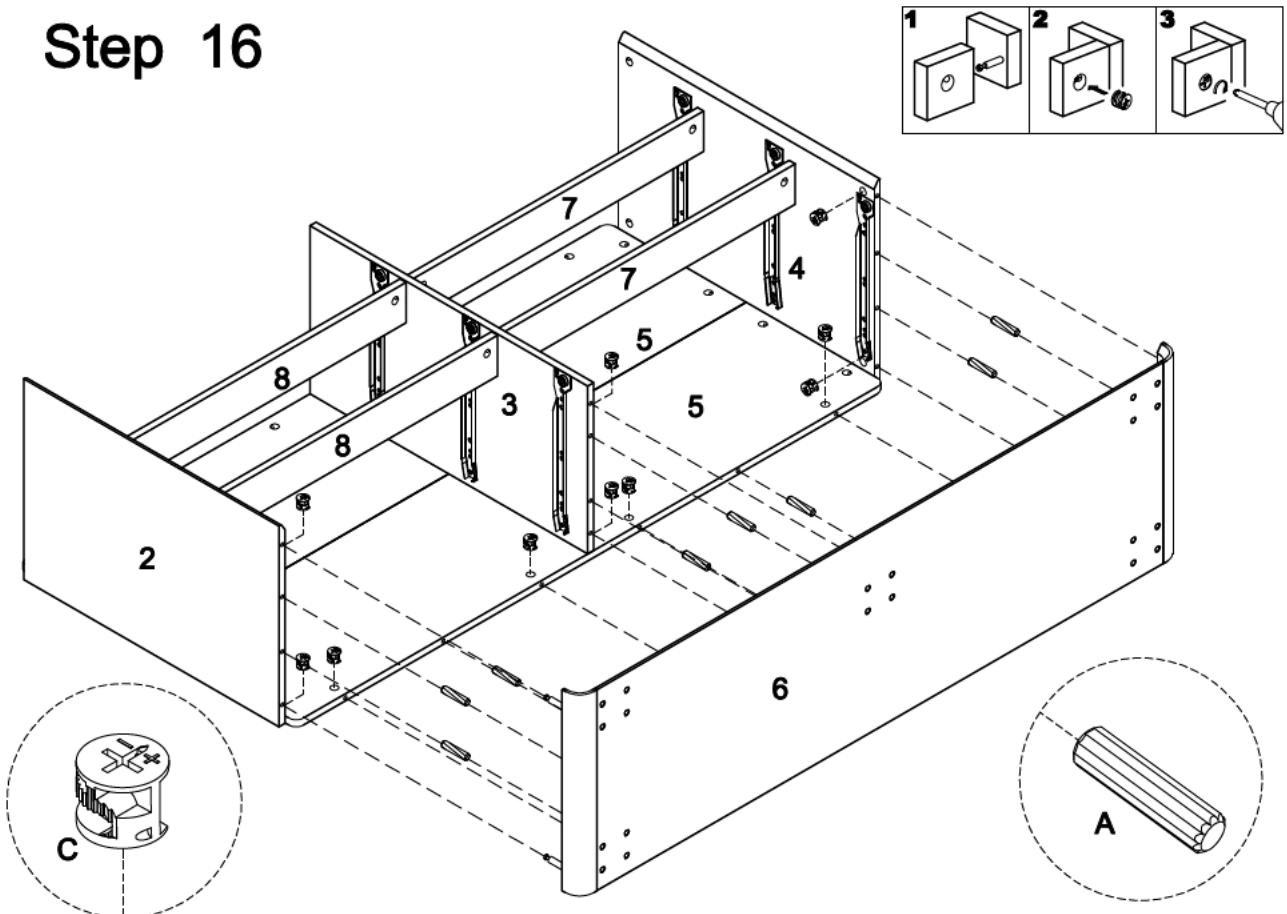
# Step 14



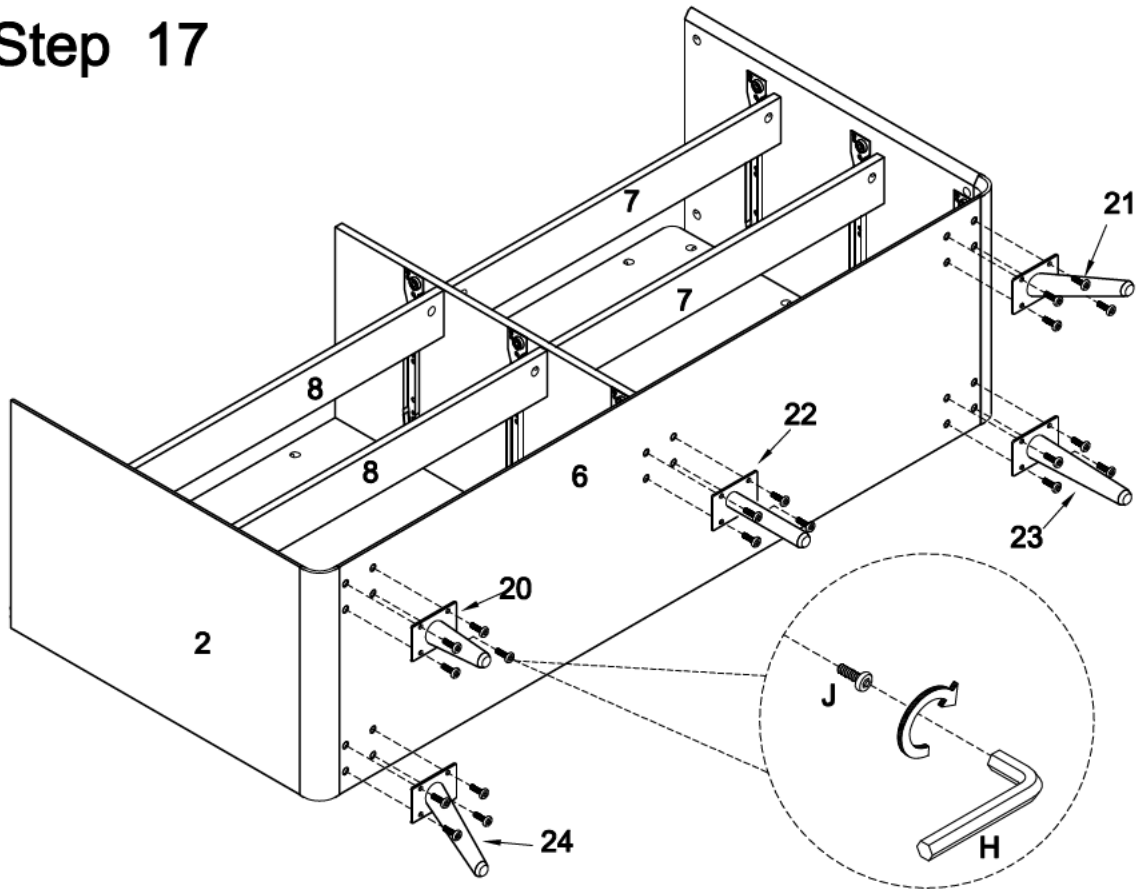
# Step 15



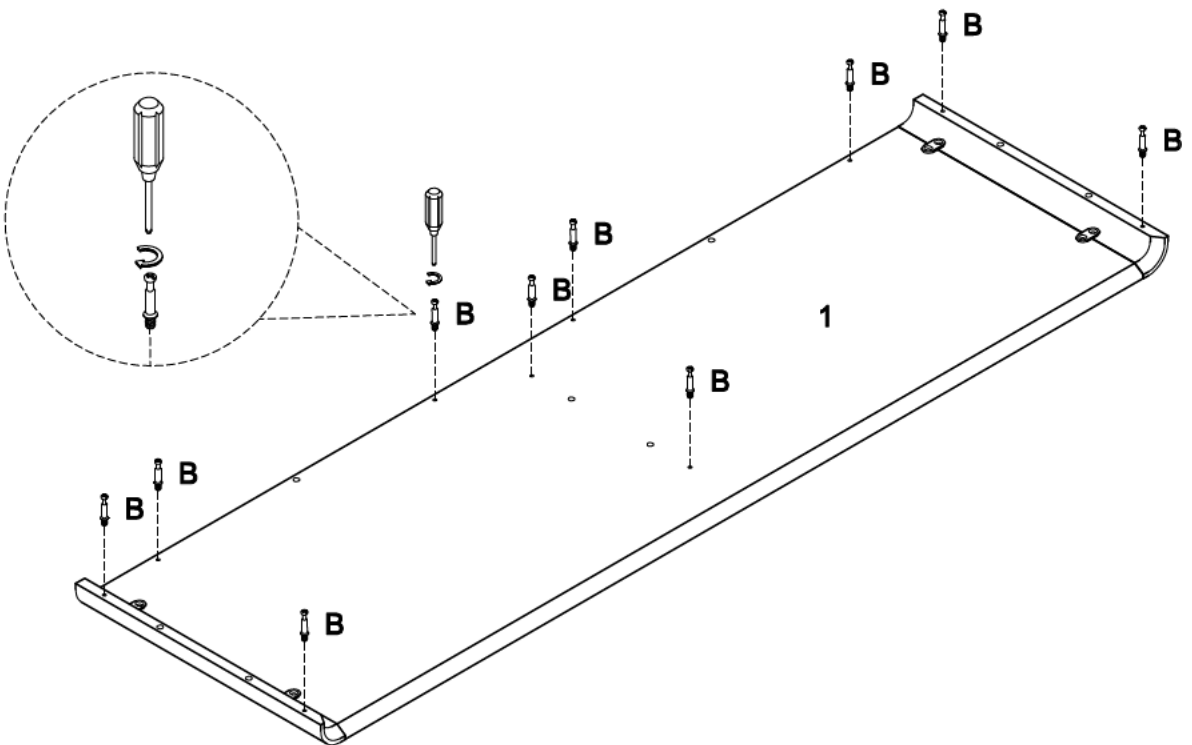
# Step 16



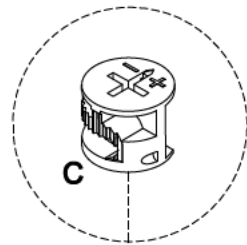
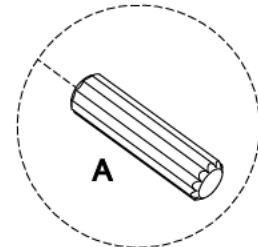
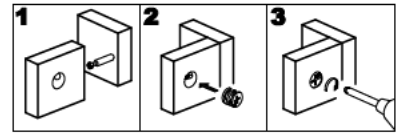
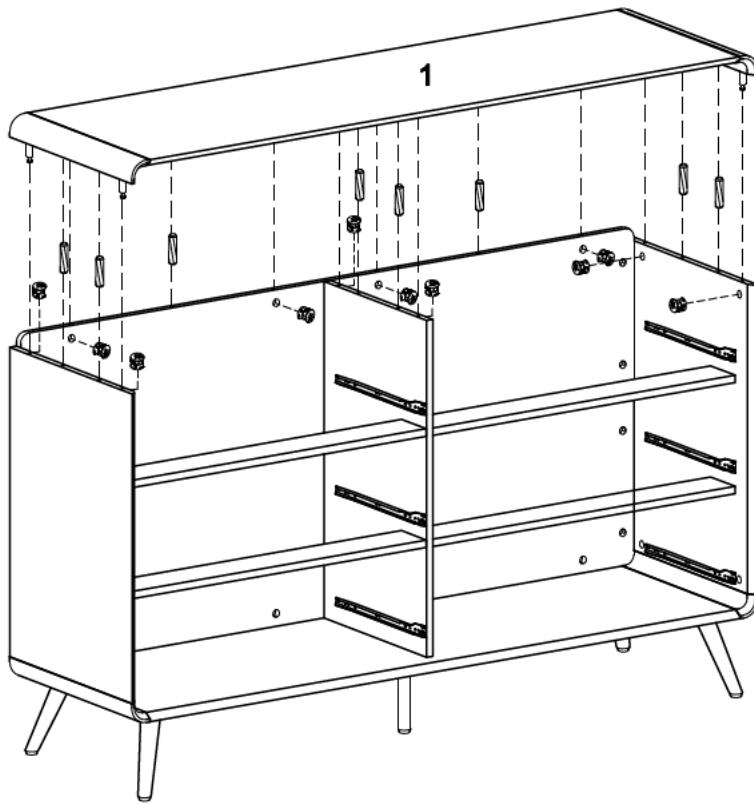
## Step 17



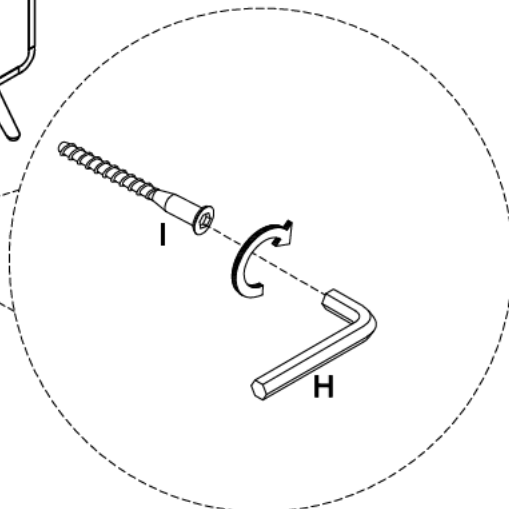
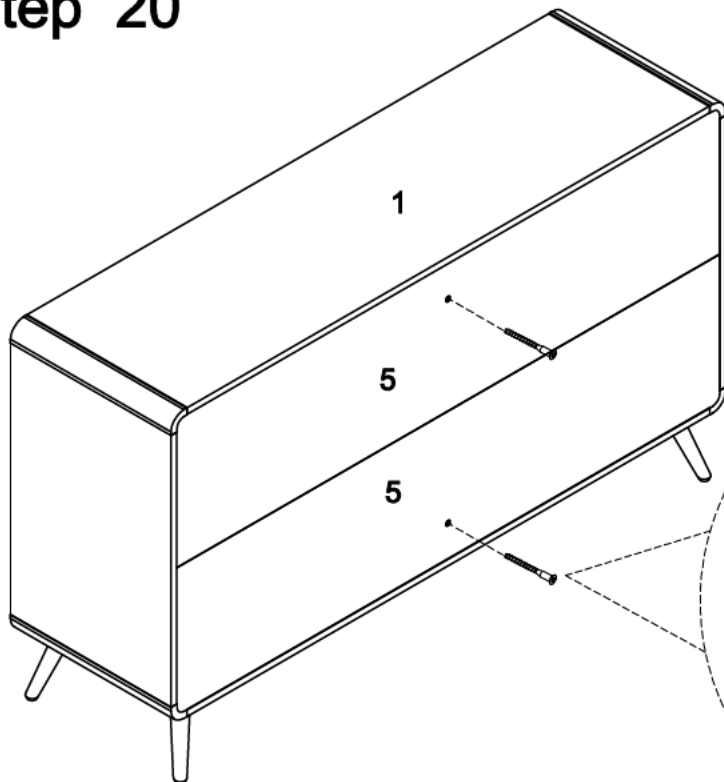
## Step 18



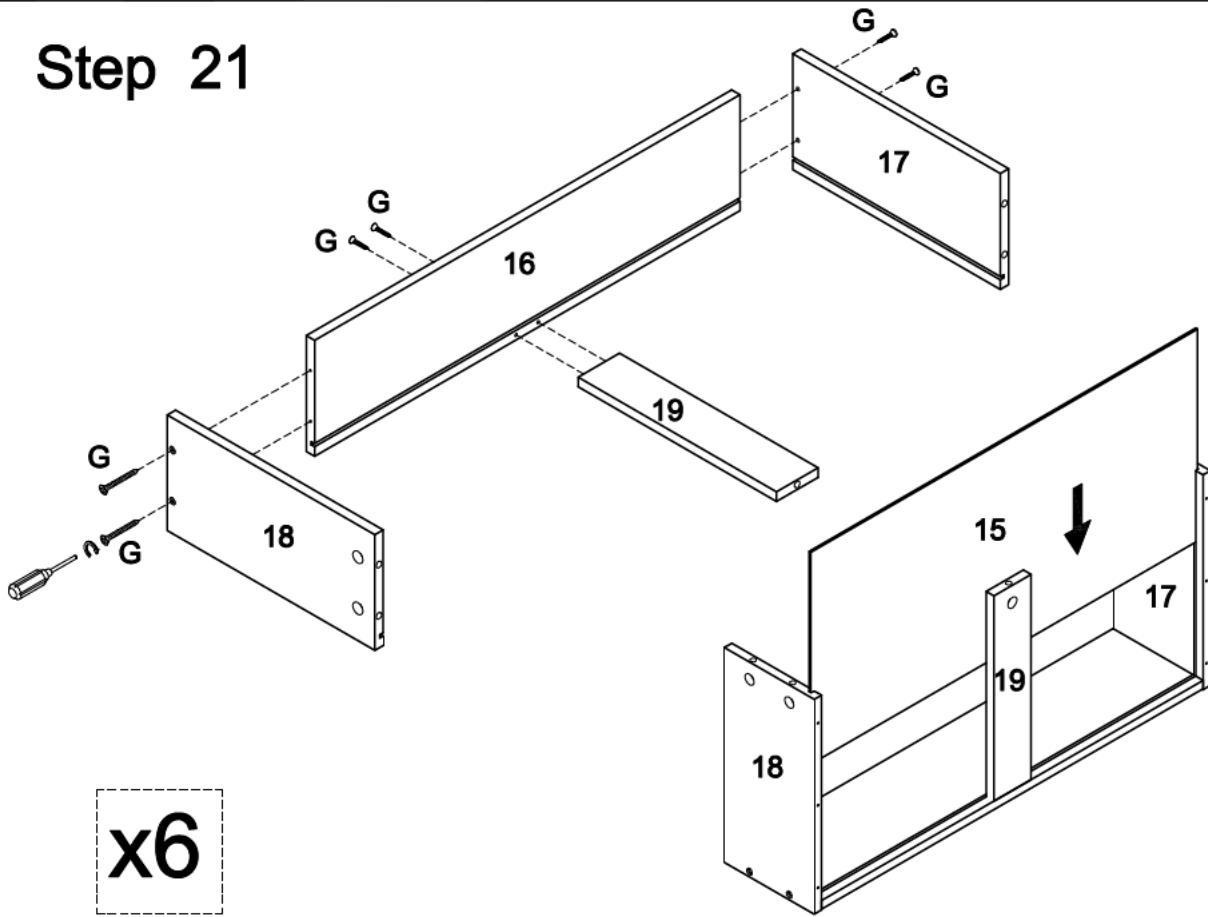
# Step 19



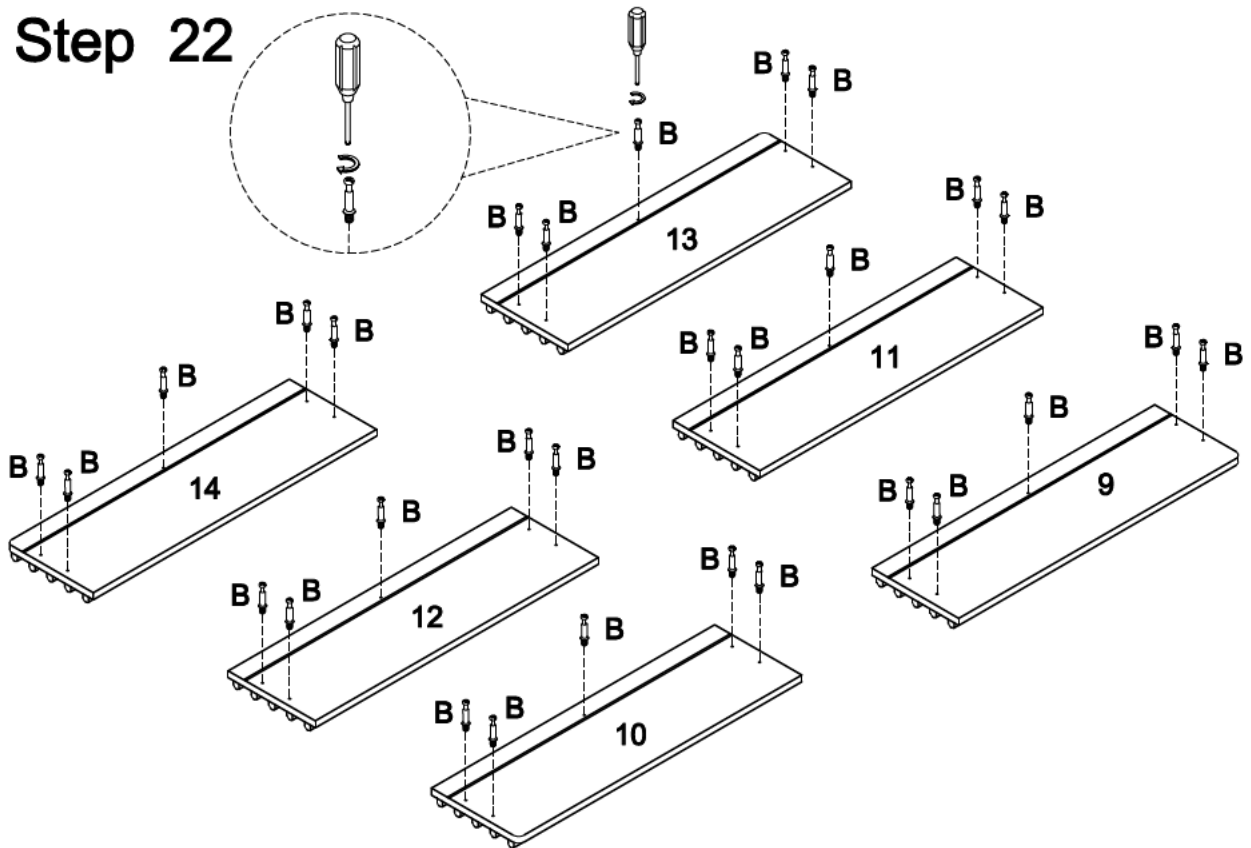
# Step 20



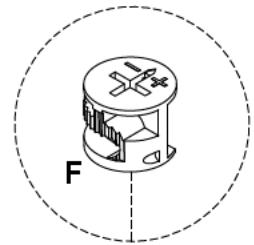
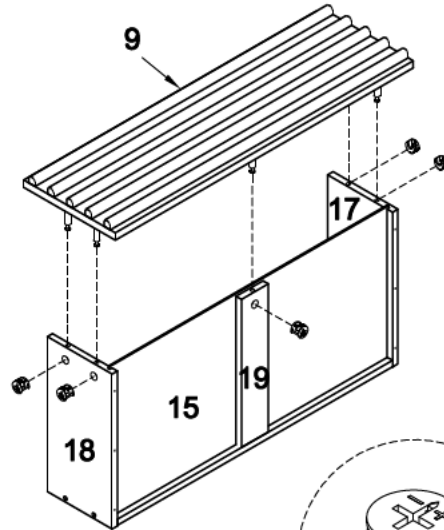
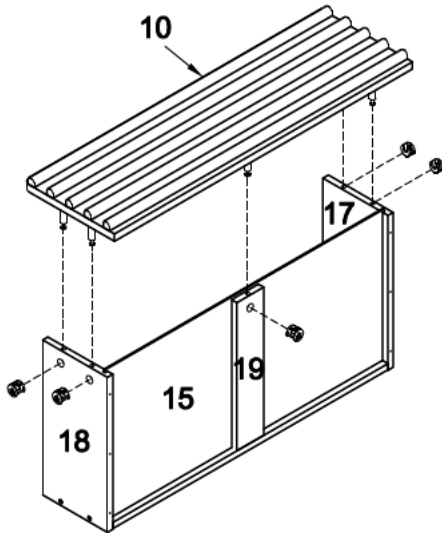
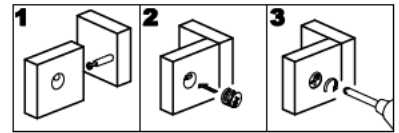
# Step 21



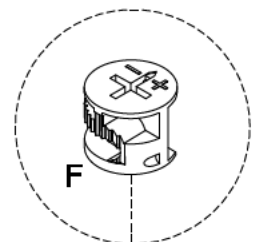
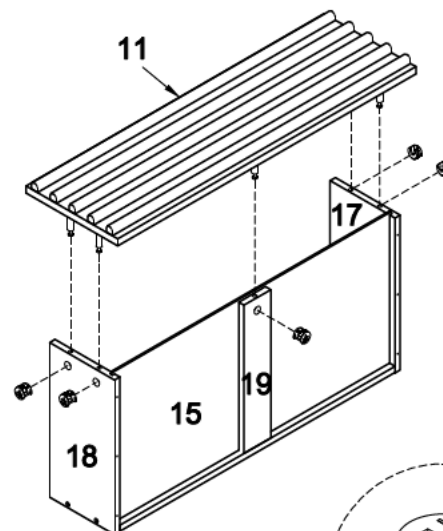
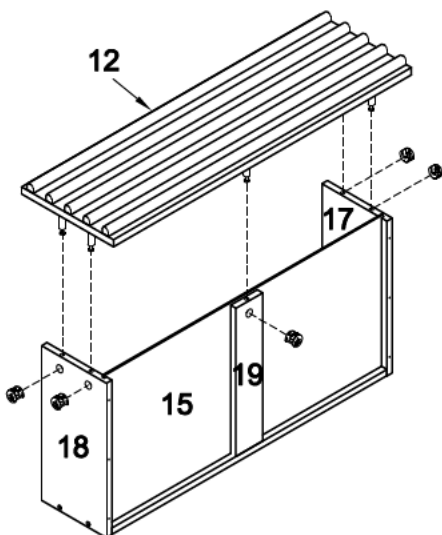
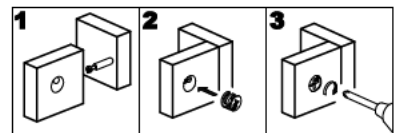
# Step 22



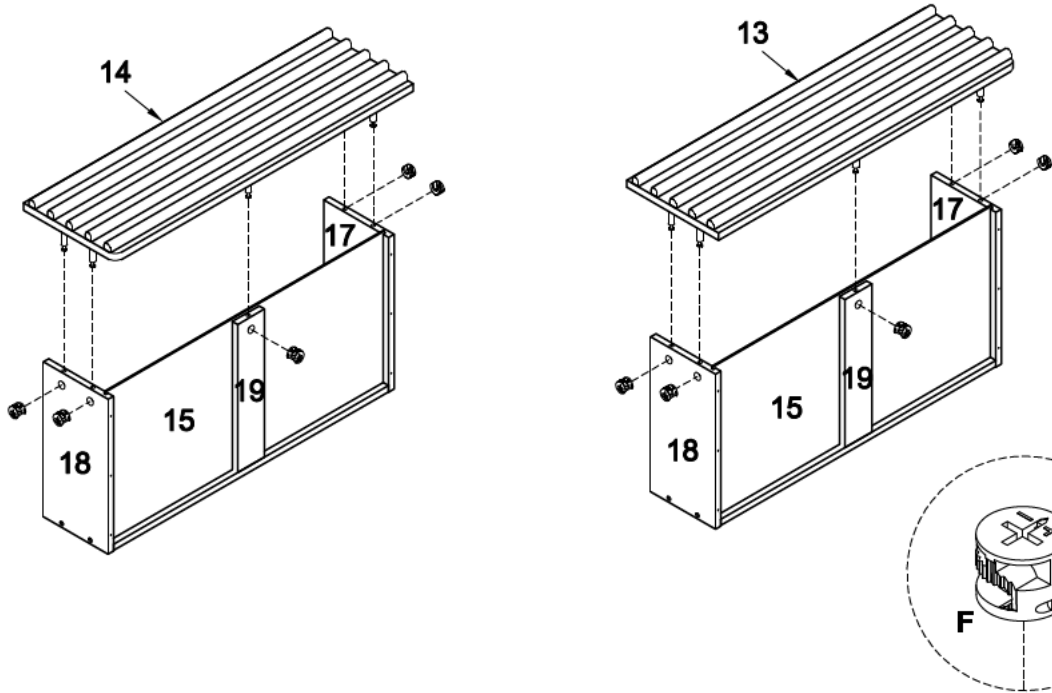
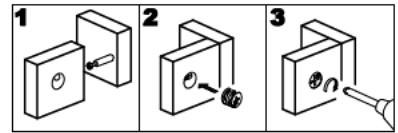
# Step 23



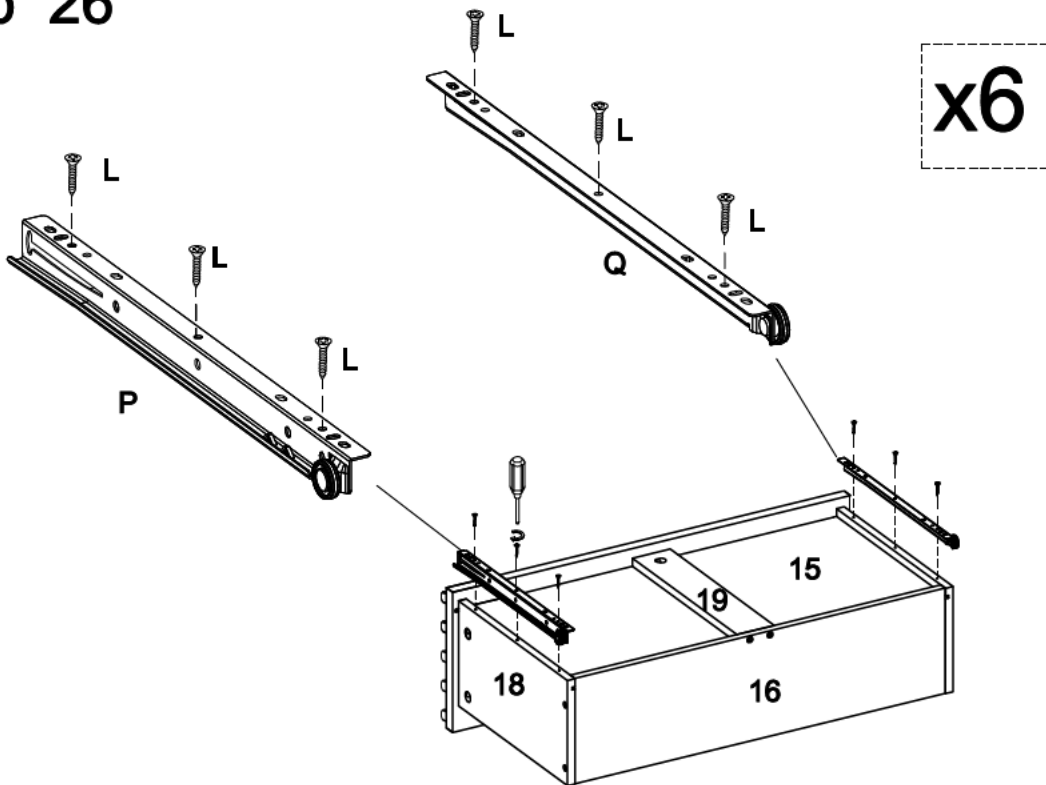
# Step 24



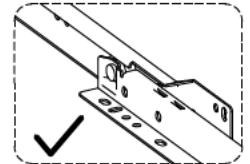
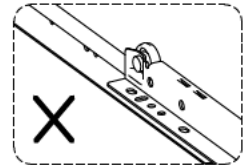
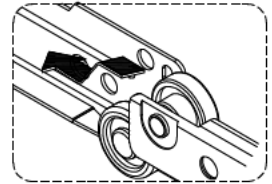
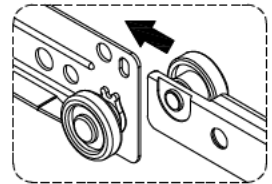
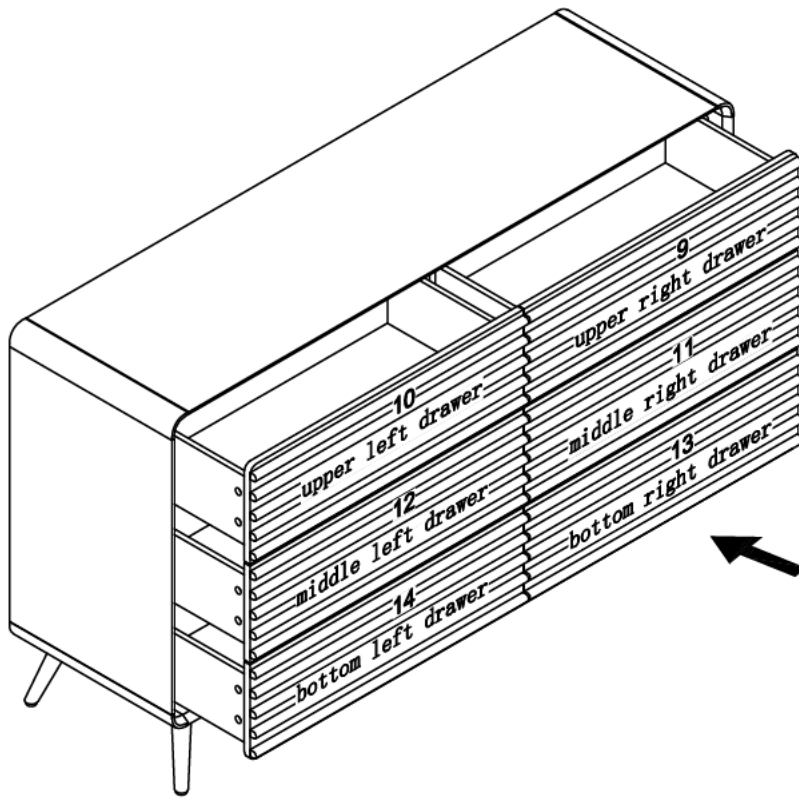
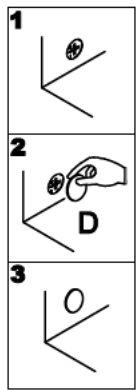
# Step 25



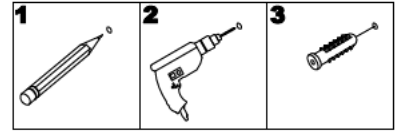
# Step 26



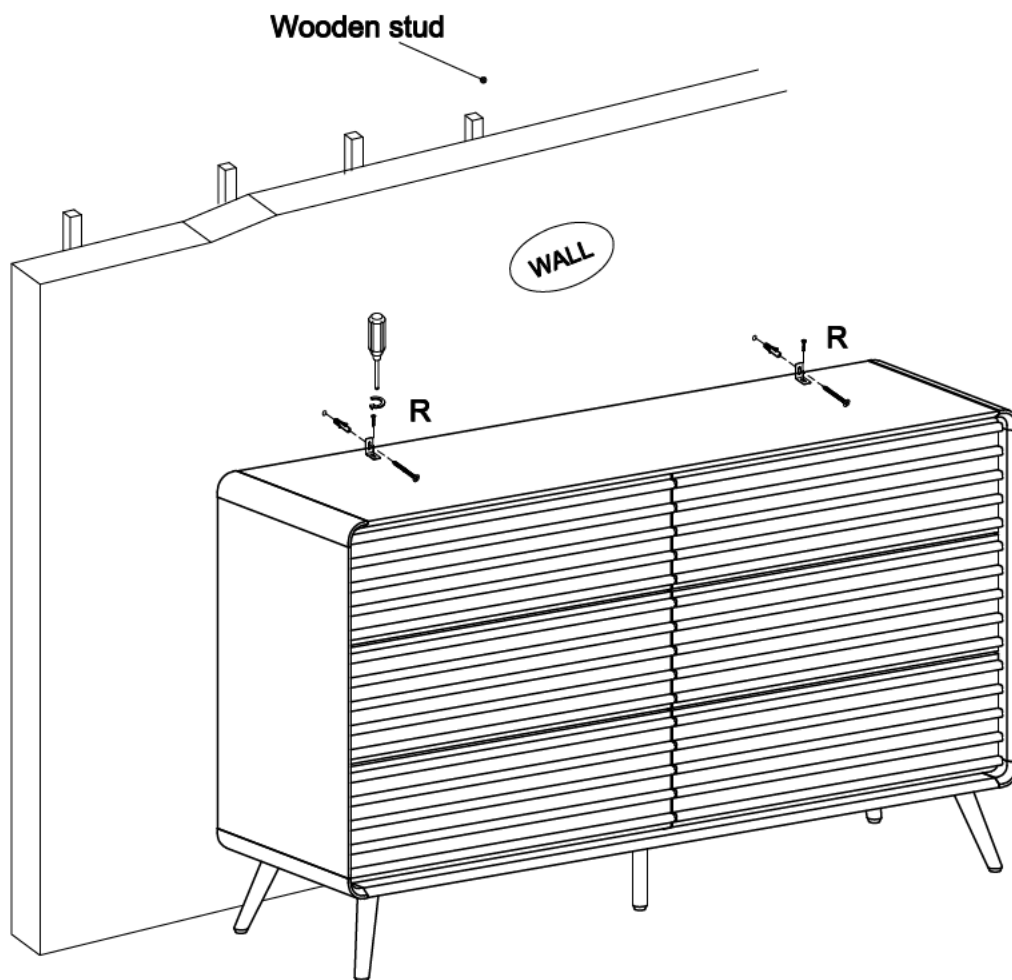
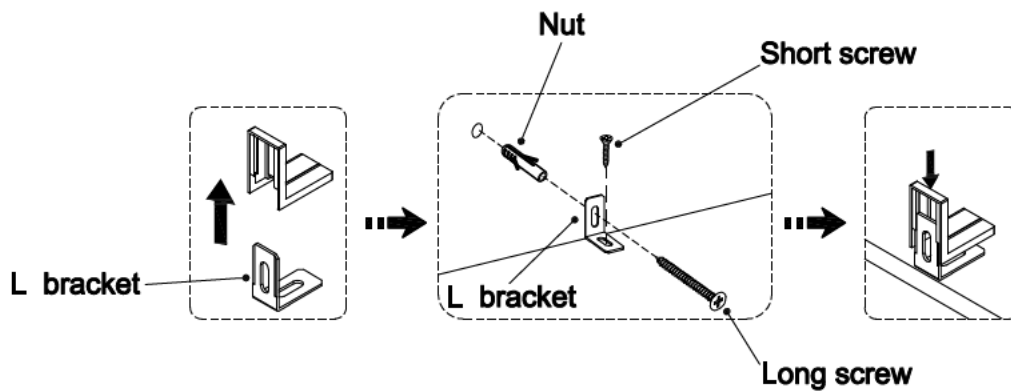
# Step 27



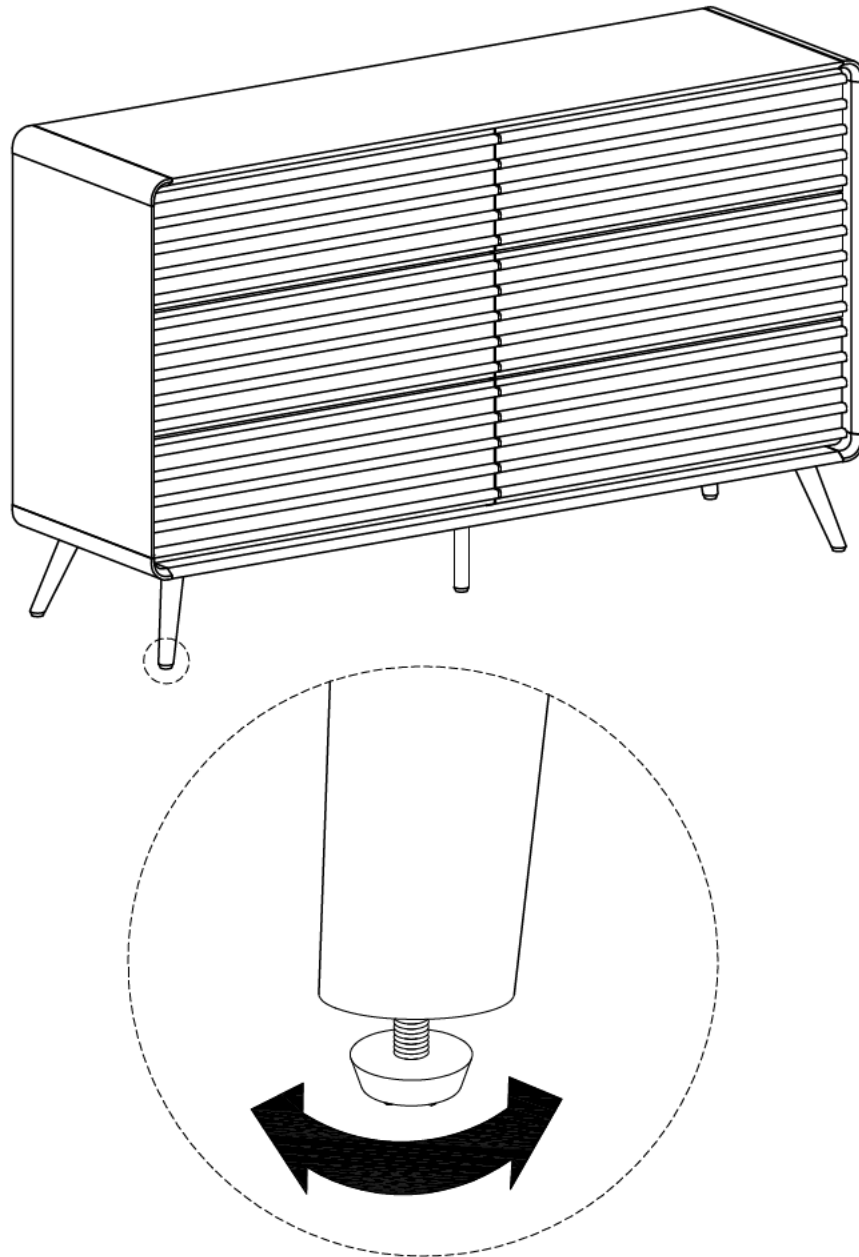
# Step 28



Serious or fatal injuries can occur from furniture tipping over. To prevent the furniture from tipping over we recommend that it is permanently fixed to the wall. Wall anchor and hardware are included with this product. Please make sure hardware is suitable for your walls before installing, as different wall materials may require different types of anchors.



## Step 29



If necessary adjust the floor leveler at the bottom of the Legs to improve the gap around the Drawer.

**Final Assembly**