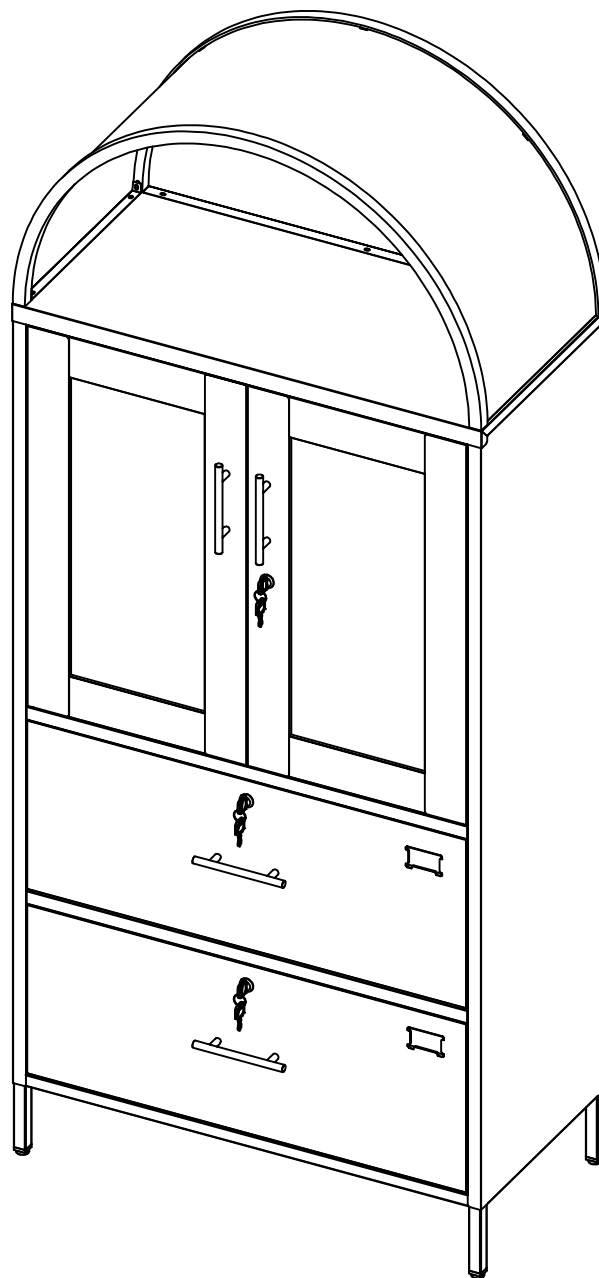
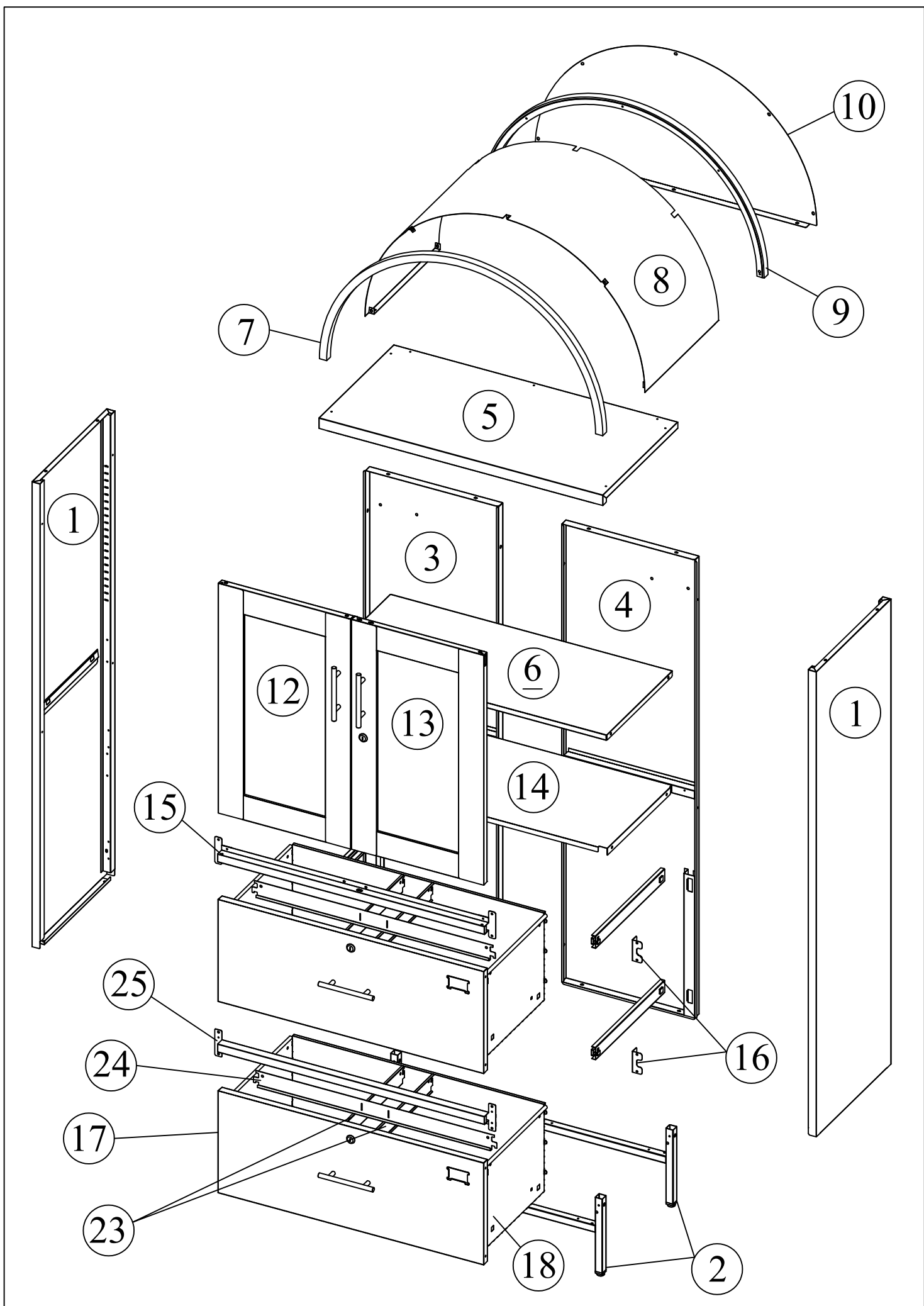
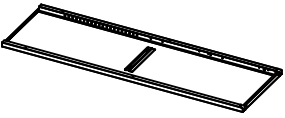
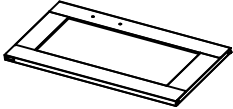

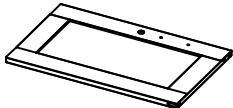
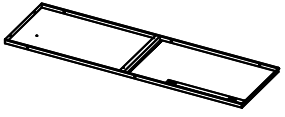
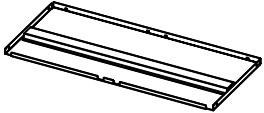
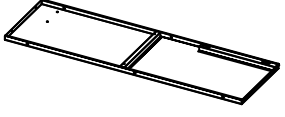


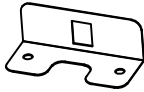

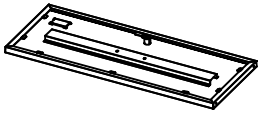

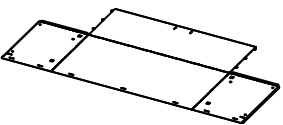
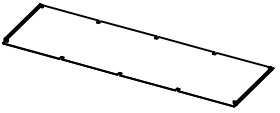
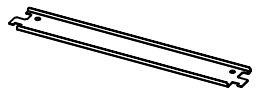
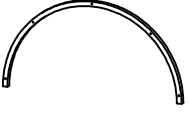
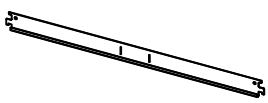

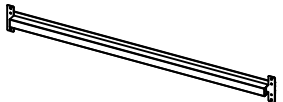


# Assembly Instructions





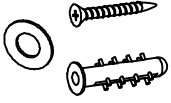




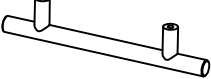






# Accessories

Name		Picture	Qty	Name		Picture	Qty
1	Side panel		2	12	Left glass door		1
2	Kick plate		2	13	Right glass door		1
3	Left back panel		1	14	Waist plate		1
4	Right back panel		1	15	Waist face		1
5	Top panel		1	16	Guide rail bracket		4
6	Shelf		1	17	Drawer front panel		2
7	Dome front tube		1	18	Drawer bucket		2
8	Dome panel		1	23	Short hanging bar		4
9	Dome back tube		1	24	Long hanging bar		2
10	Dome back panel		1	25	Lower waist face		1







# Accessories

Name		Picture	Qty	Name		Picture	Qty
A	13/32 Screw		62	H-1	Left guide rail		2
				H-2	Right guide rail		2
B	M5 Nut		3	I	Expansion screw		2
C	M5*10 Screw		3	K	Door pivot		2
D	Shelf clasp		4	L	Shim		4
E	The doorknob		4	M	Shock absorber		4
F	M4*22 screw		8				

 <b style="font-size: 1.2em;">CAUTION</b>
An assistant is required.

**CUSTOMER FIRST, SERVICE FOREMOST!**  
 Questions? Issues?  
**CONTACT US**  
 REPLY WITHIN 24 HOURS IN BUSINESS DAYS

# Accessories

Name	Picture	Qty needed
Lock rod cap	 (Already attached on right door 13)	2
Key 1	 (Already attached on right door 13)	1
Lock 1	 (Already pre-installed on right door 13)	1
Lock rod	 (Already pre-installed on right door 13)	2
Key 2	 (Already attached on drawer front panel 17)	2
Lock 2	 (Already pre-installed on drawer front panel 17)	2

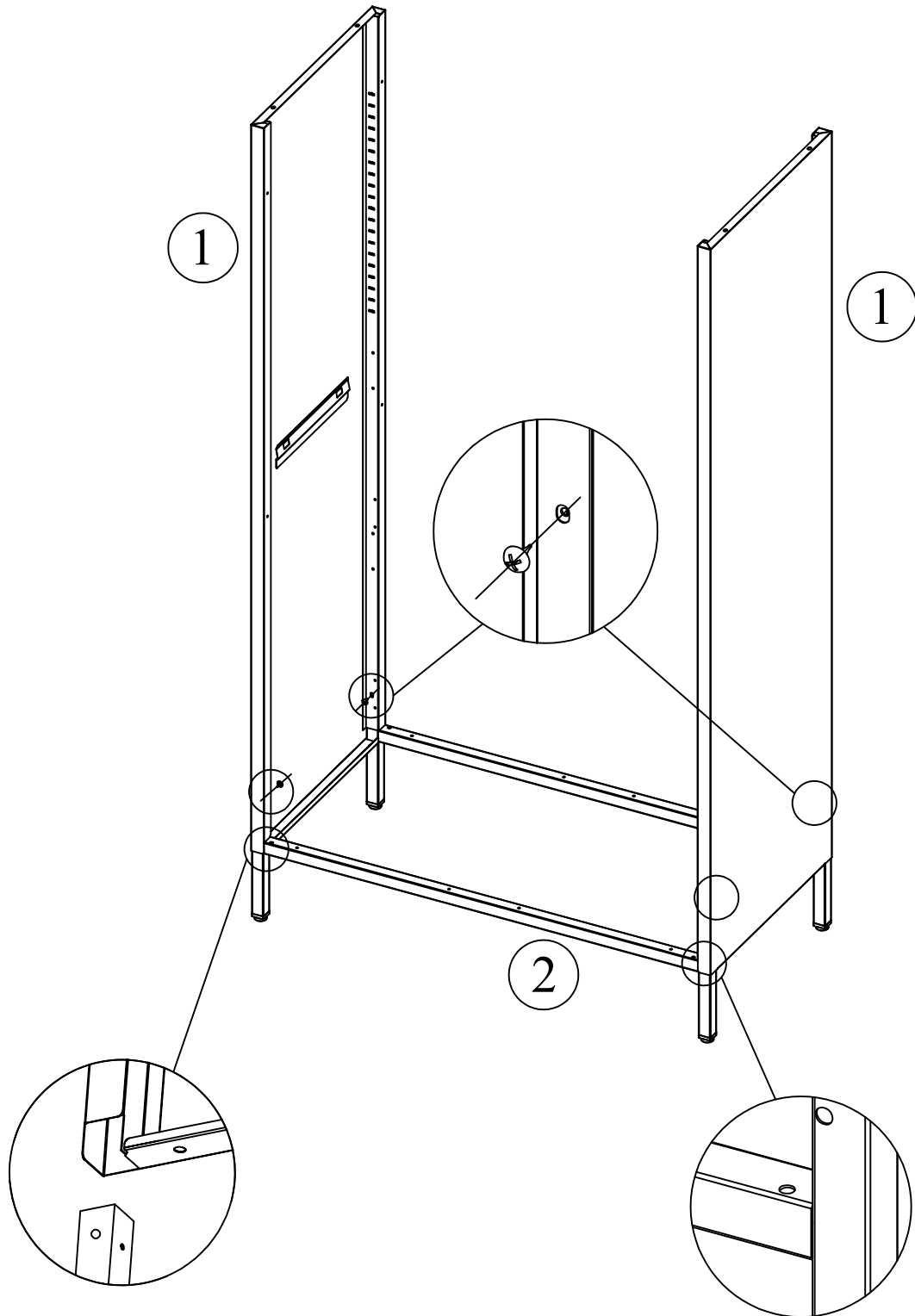
**Attention:**

The keys for doors and drawers are specific and not universal. Please remove the corresponding keys before installation, label and store them safely.

# Step 1

Insert side panels 1 into kick plates 2 and fix them with screws A

Ⓐ  × 4

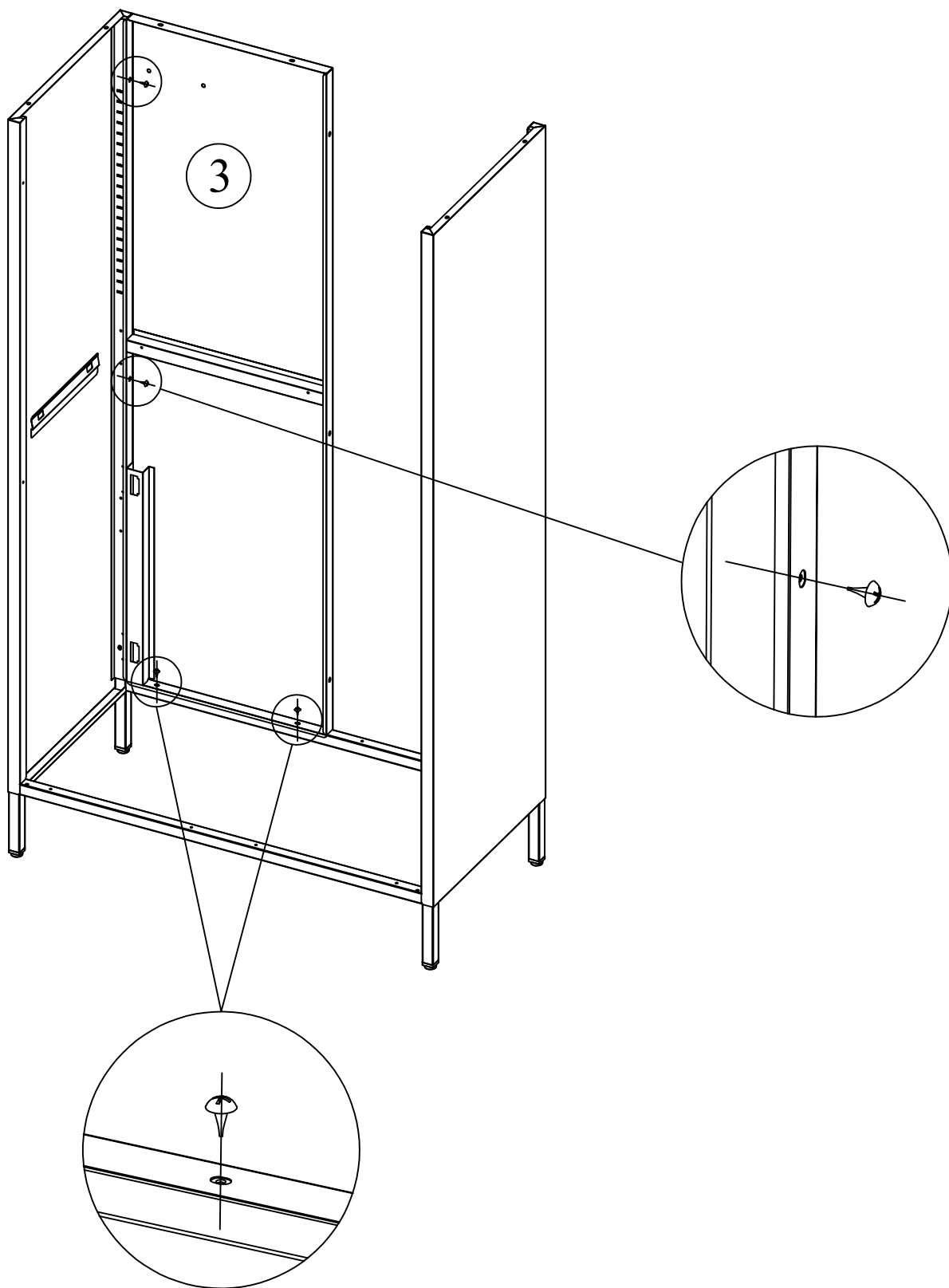


The door shaft hole is in the front

# Step 2

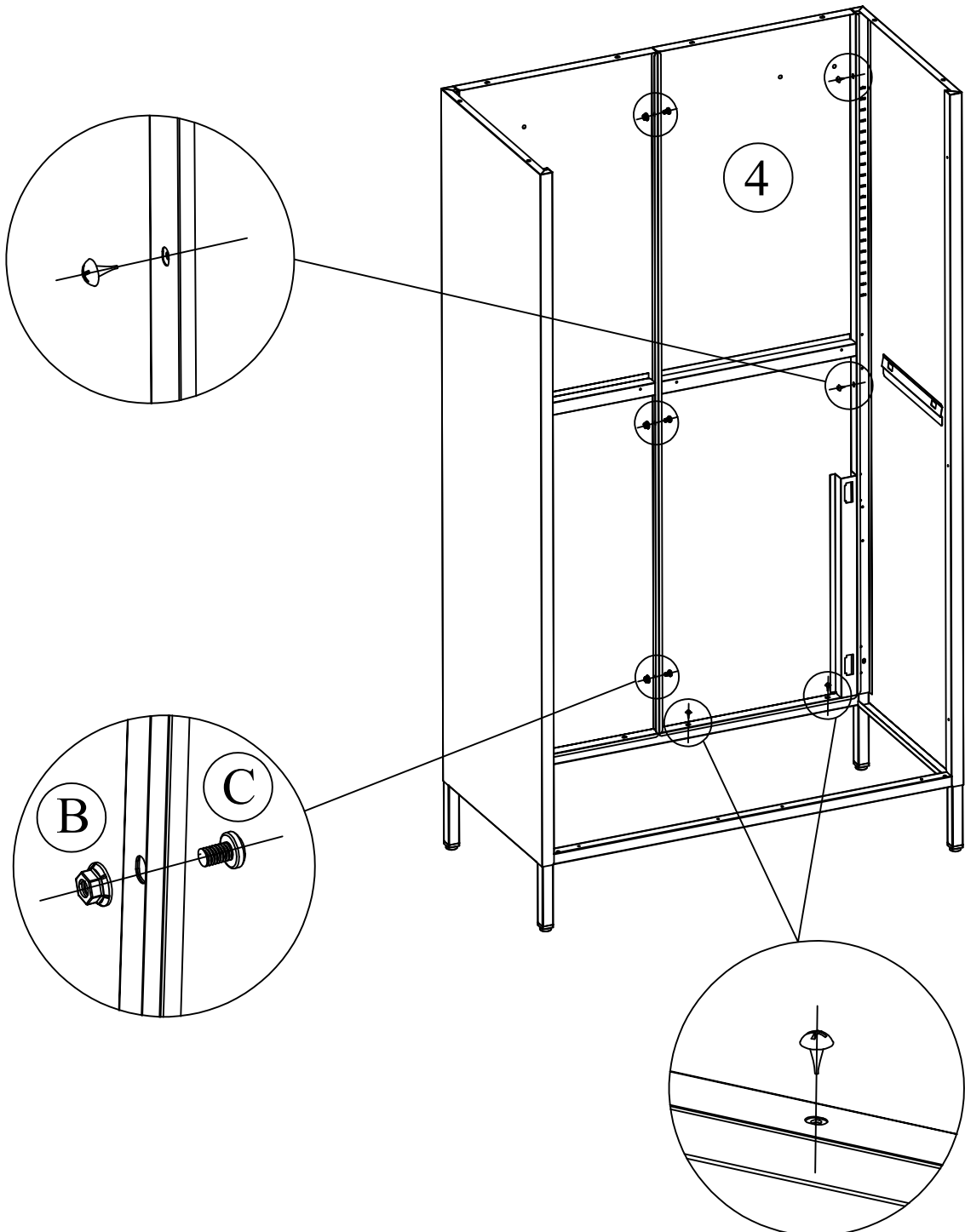
Connect left back panel 3 with side panel 1 and kick plate 2 by screws A

Ⓐ  × 4



# Step 3

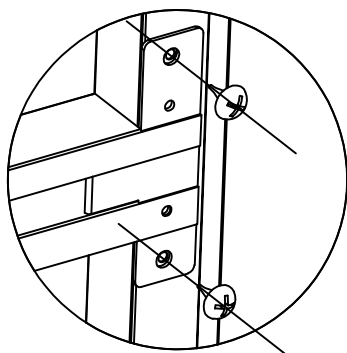
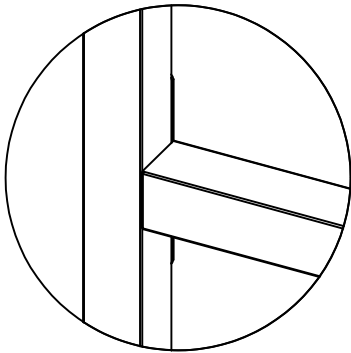
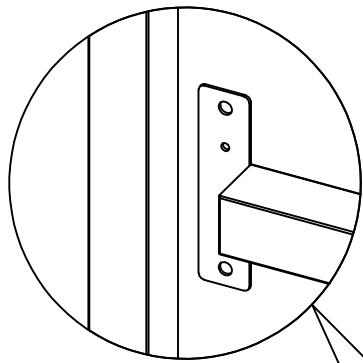
Connect right back panel 4 with side panel 1 and kick plate 2 by screws A, then connect two back panels 3 and 4 with nuts B and screws C



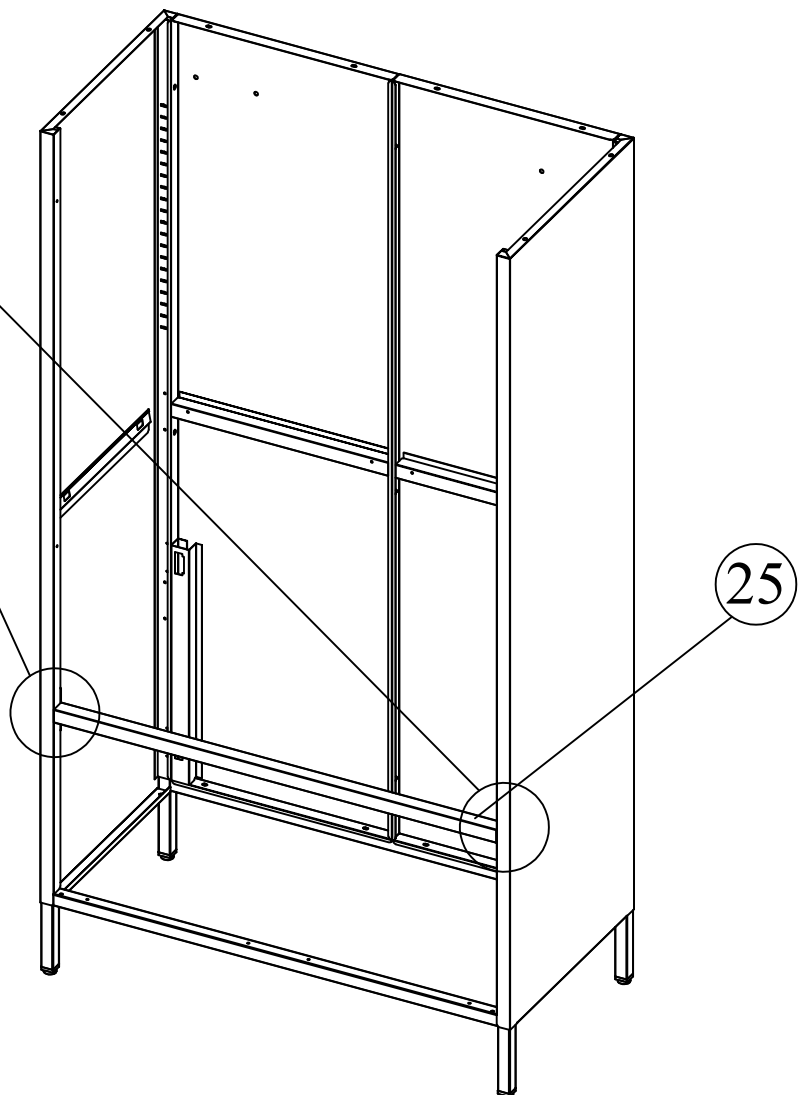
# Step 4

Install the lower waist face 25 on the side panels with screws A

(A)  × 4



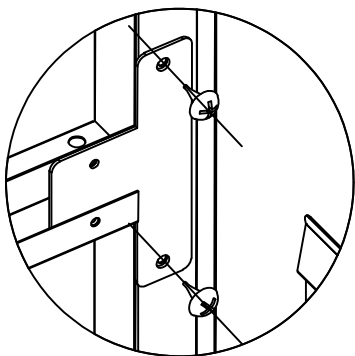
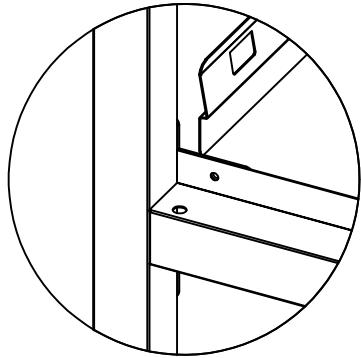
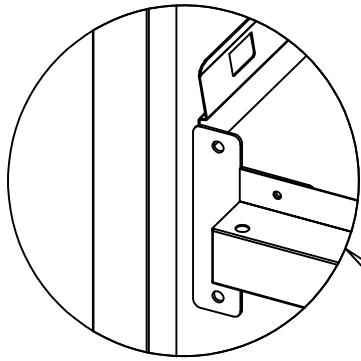
Ensure the left side holes of 25 are aligned with the holes of the left side panel, then fix them with screws A, so is the right side.



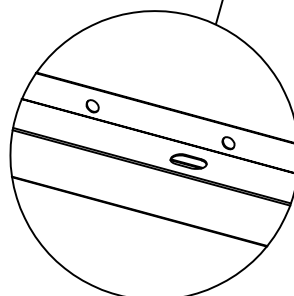
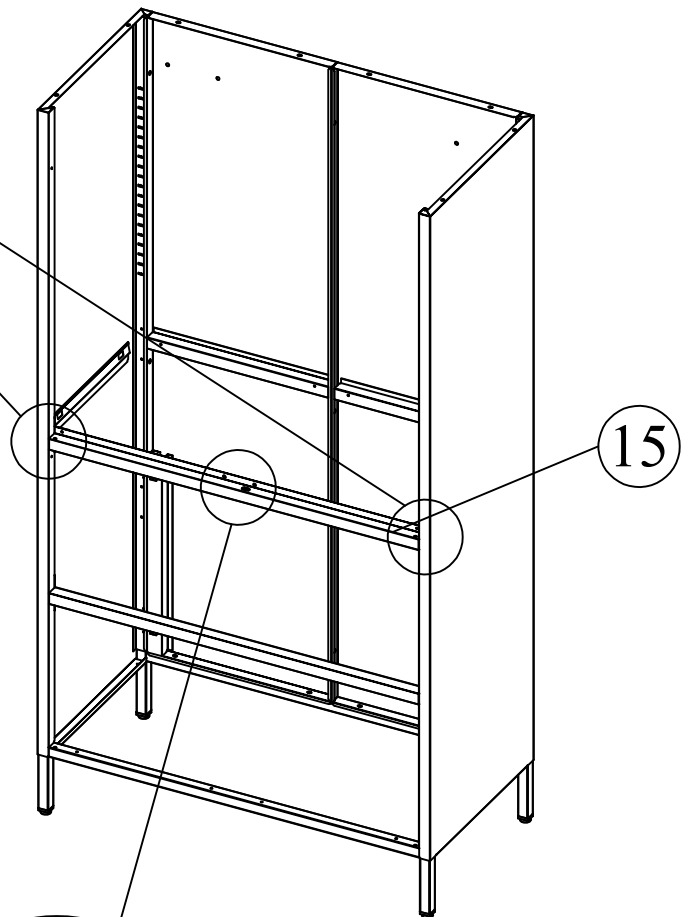
# Step 5

Install the waist face 15 on the side panels with screws A

(A)  × 4



Ensure the left side holes of 15 are aligned with the holes of the left side panel, then fix them with screws A, so is the right side.



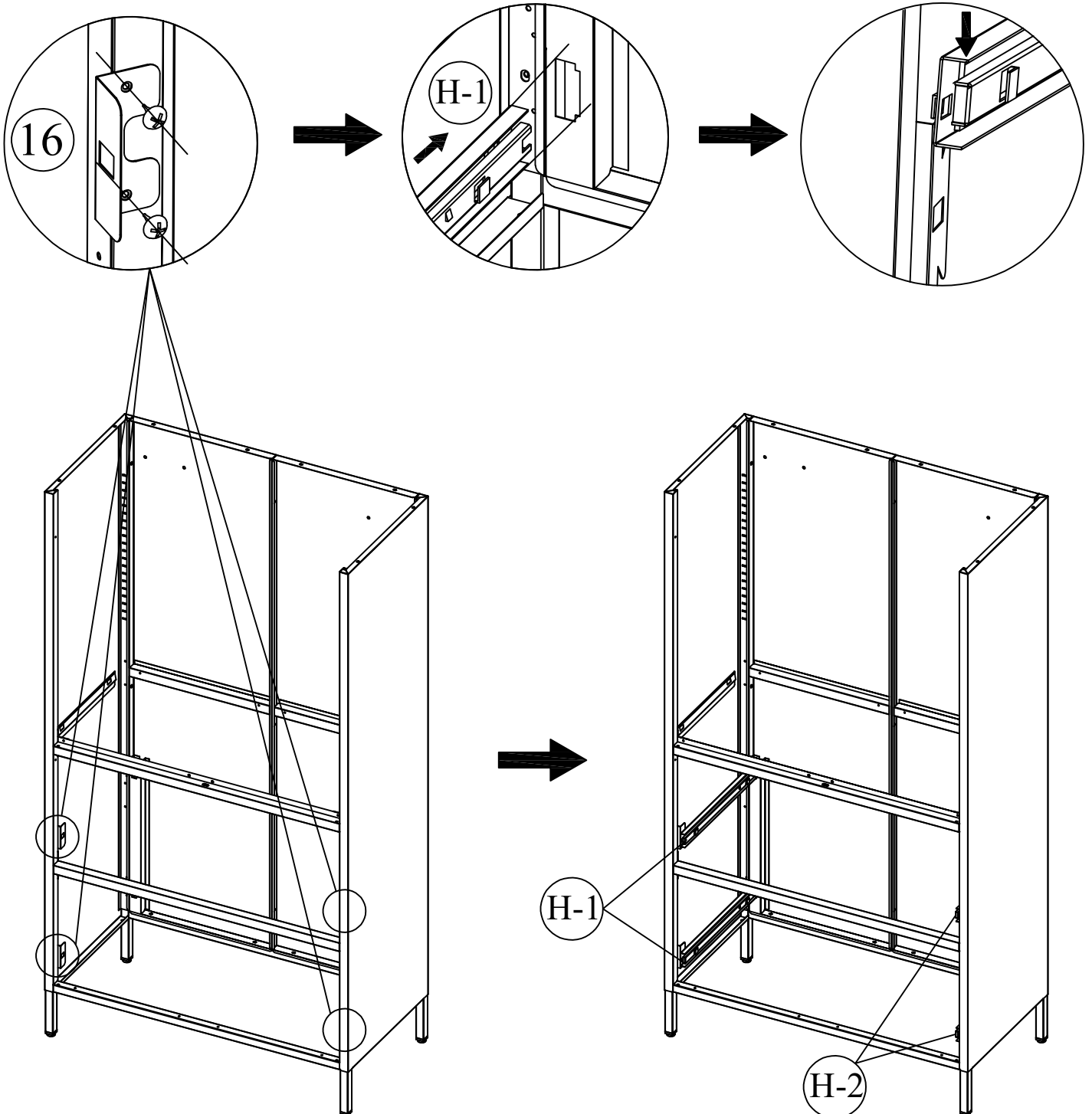
# Step 6

Install the guide rail brackets 16 on both side panels with screws A, then install the guide rails H.



Attention: the direction!

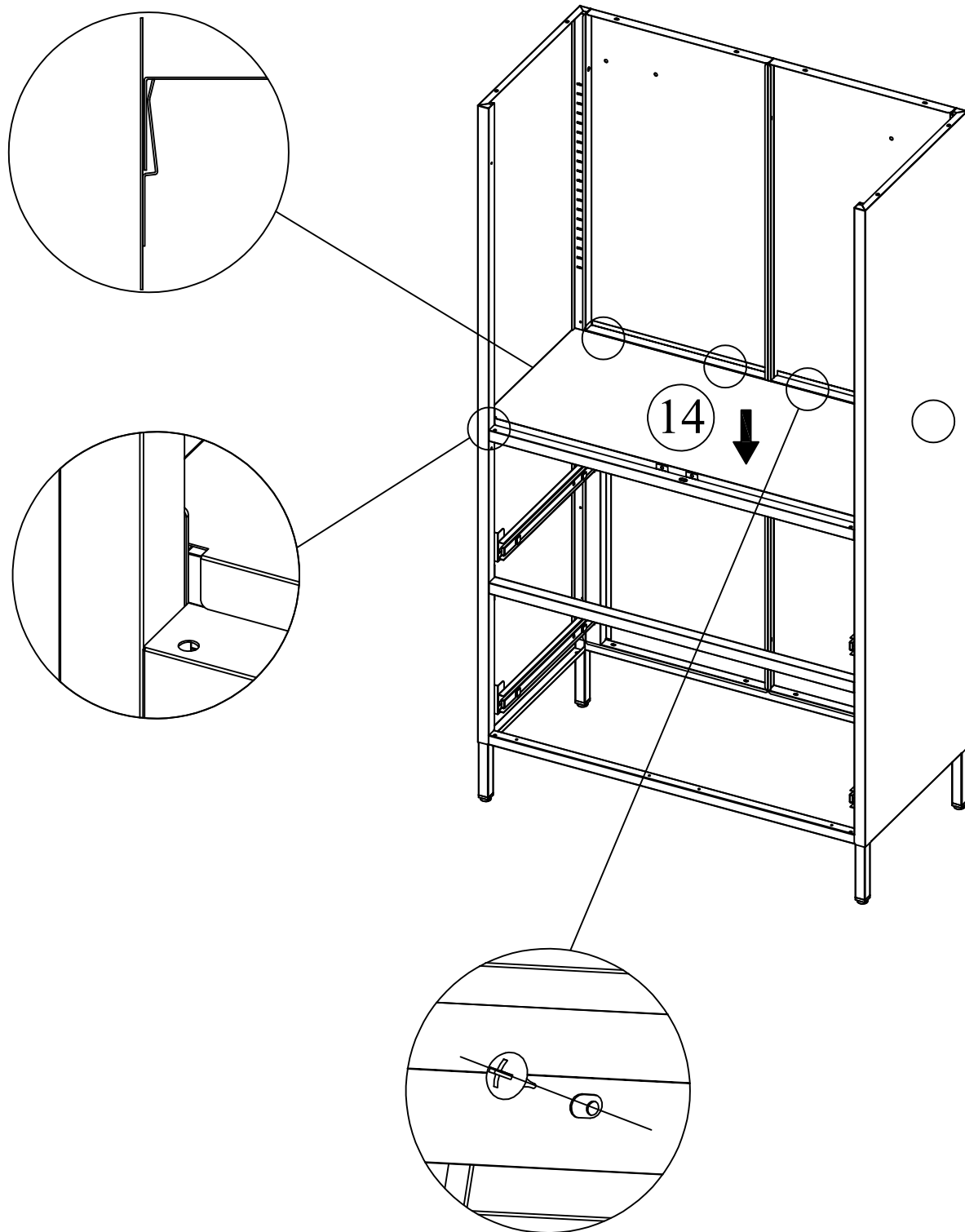
Insert the back of rail to the hole of the back panel, then align the front hook of another side (the slider can be pulled out) to the rectangle hole of bracket 16, press down and insert into the hole.



# Step 7

Install waist plate 14 and fix it with back panels by screws A

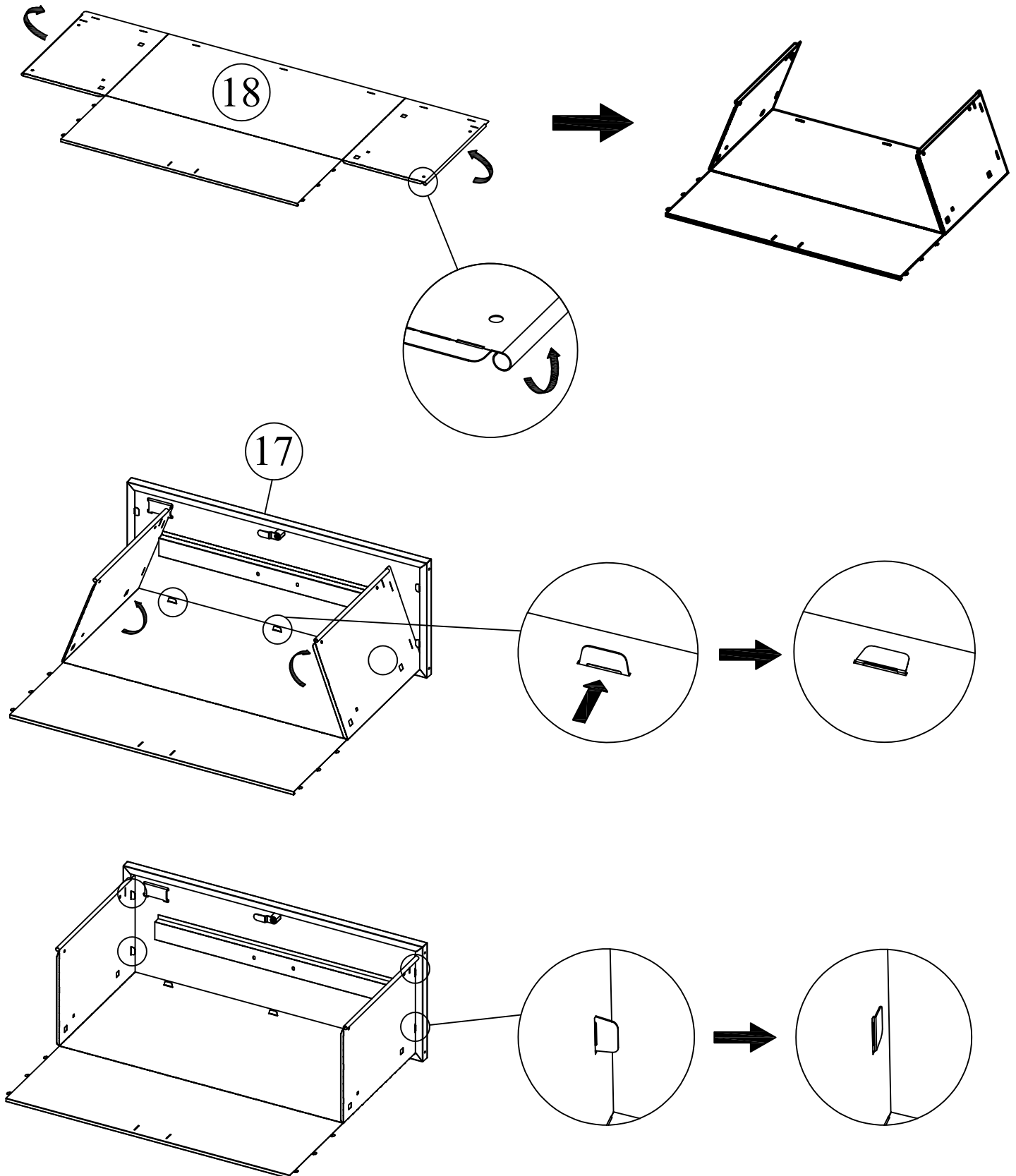
(A)  × 4



# Step 8

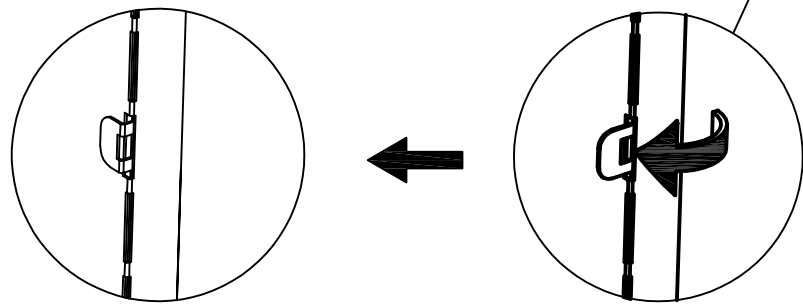
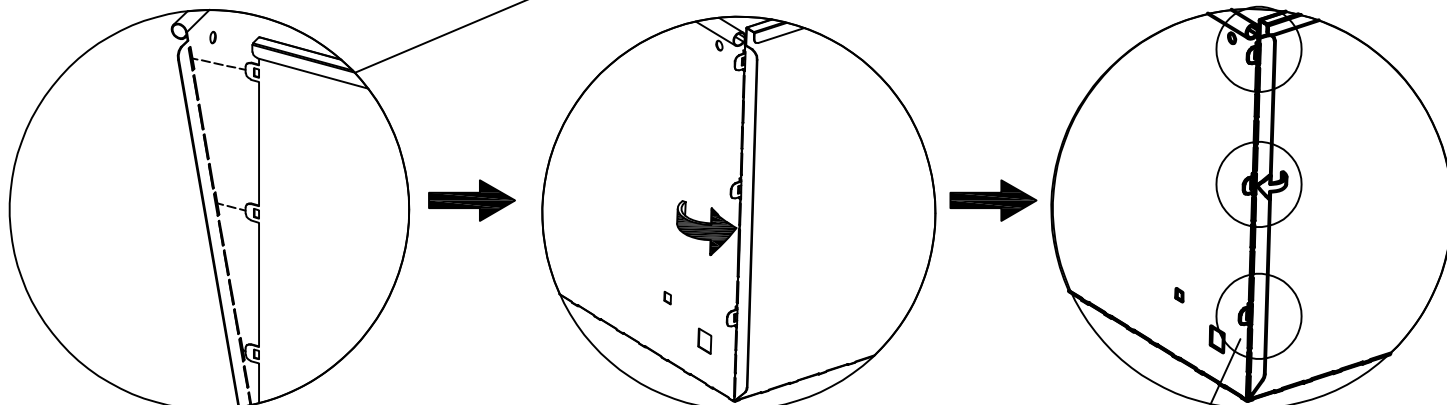
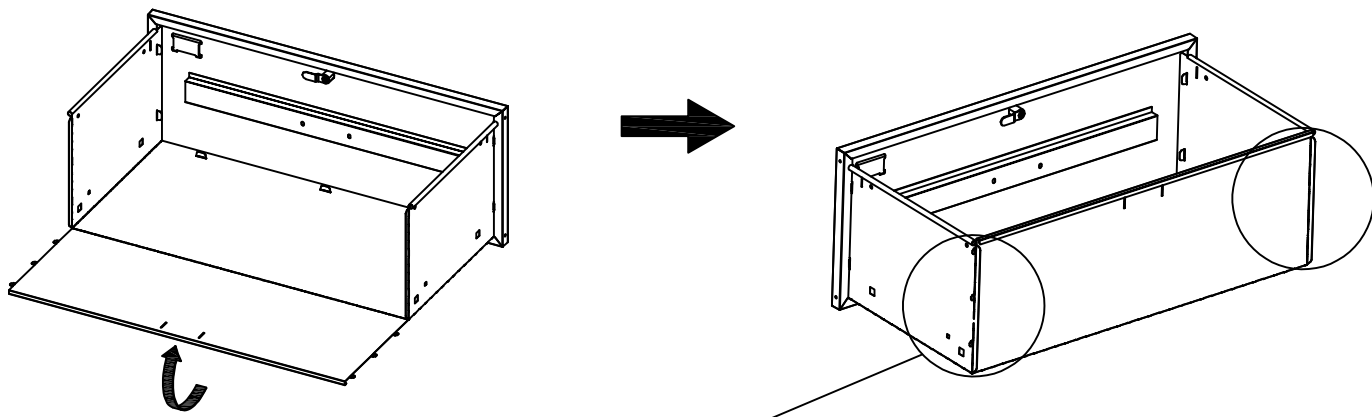
Fold drawer bucket 18

Insert the small parts on drawer bucket 18 into drawer front panel 17 and fold the small parts



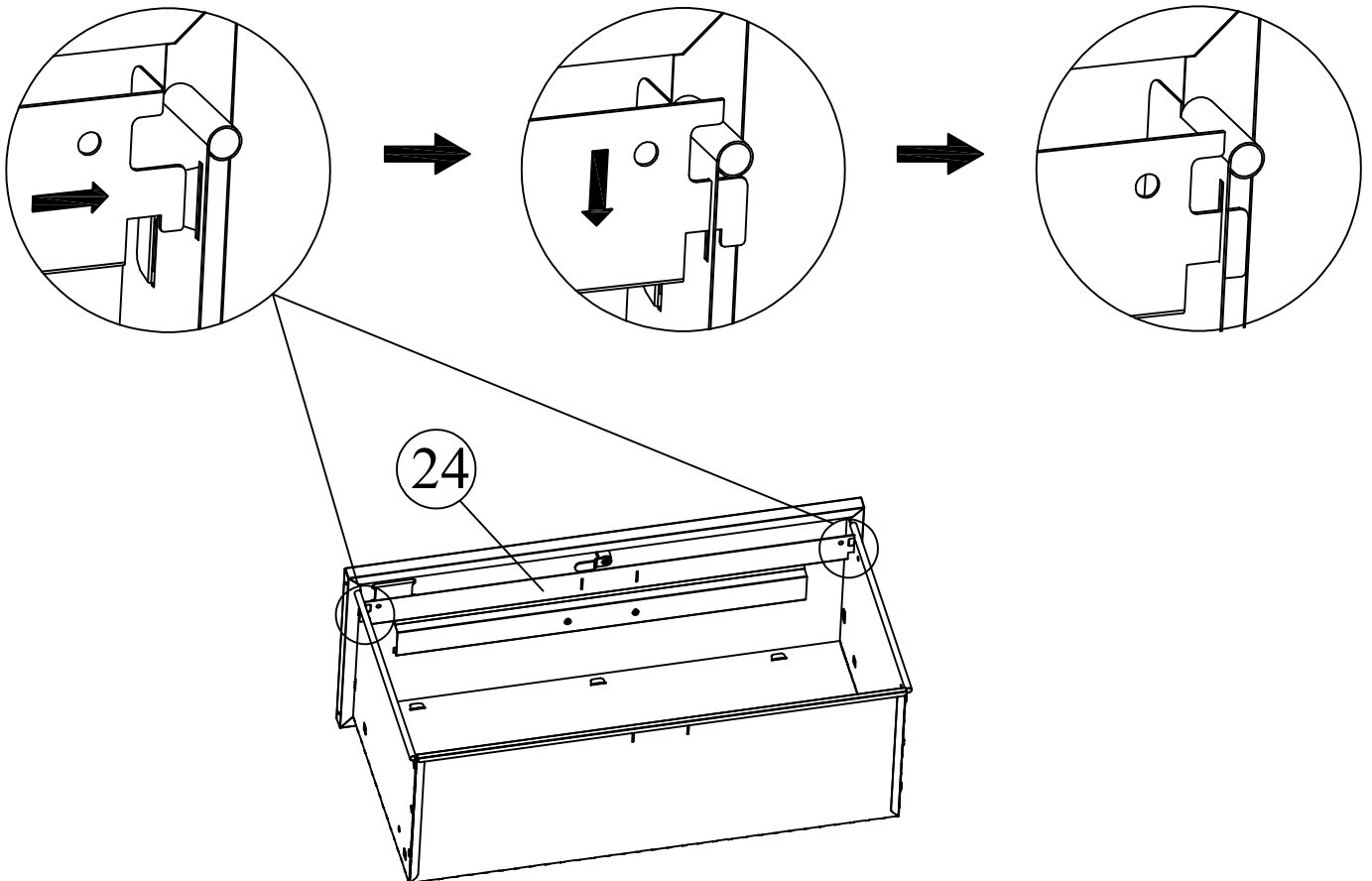
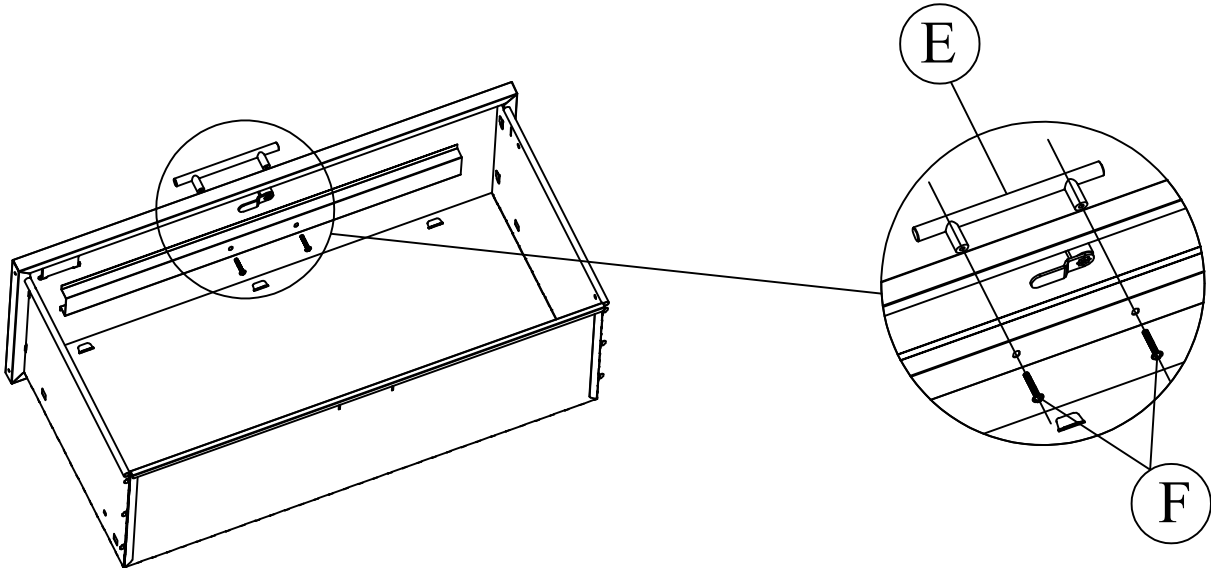
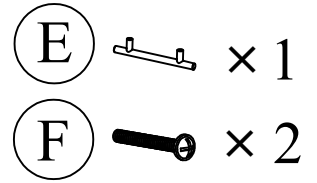
# Step 9

Insert the small parts on drawer back panel into the holes on both sides of drawer side panels and fold the small part



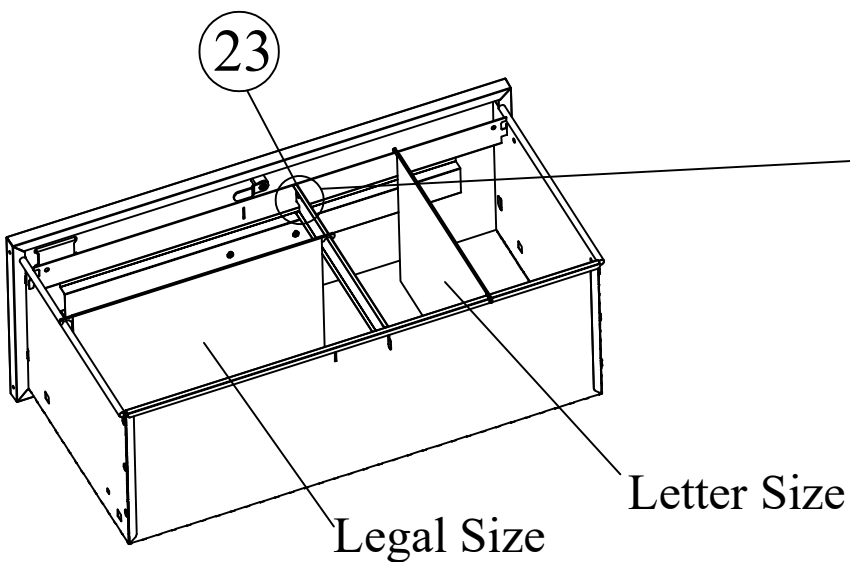
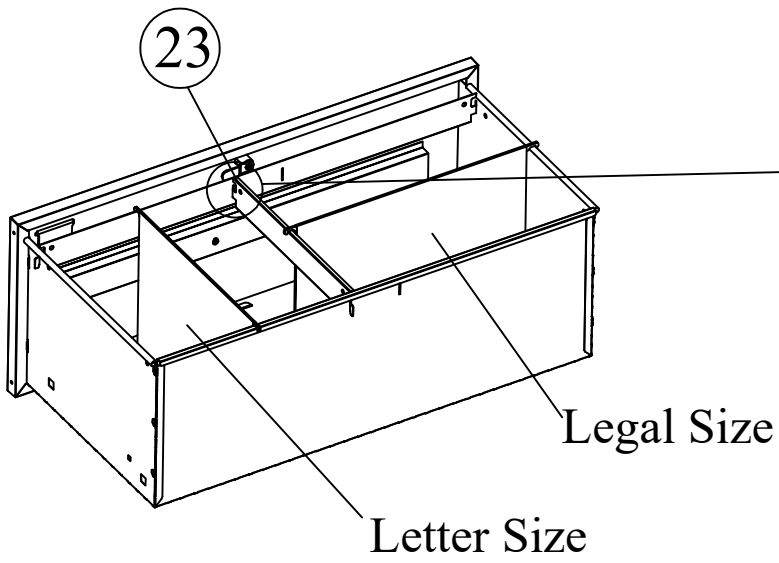
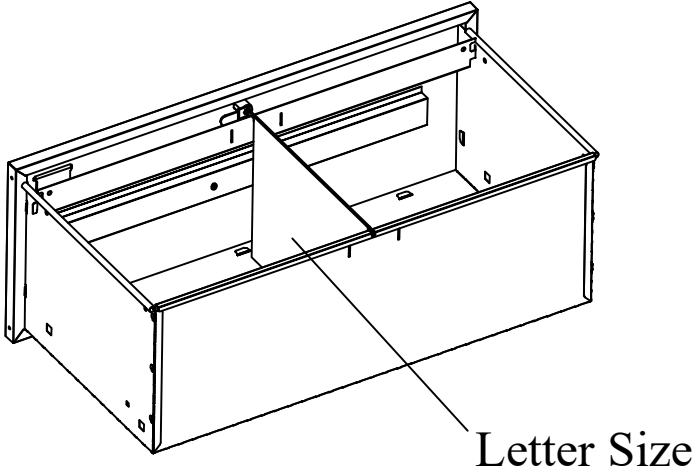
# Step 10

Fix the doorknob E to the drawer with screws F  
Install the long hanging bar 24 inside the drawer



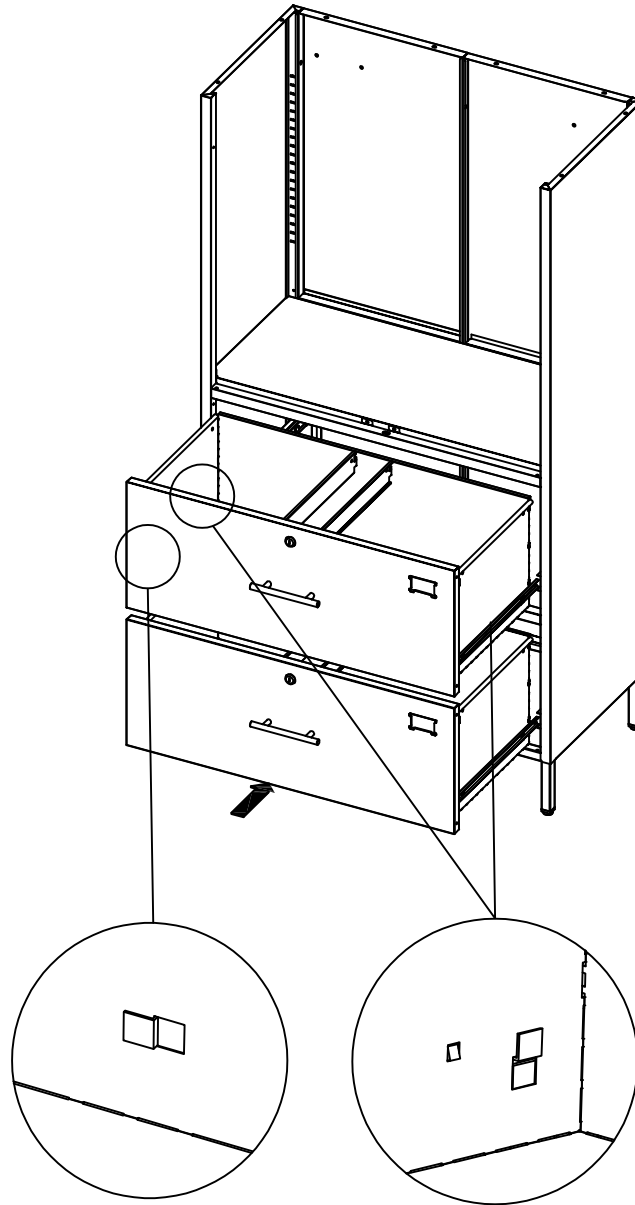
# Step 11

Install the short hanging bar 23 in the drawer



# Step 12

## Install the assembled drawers in the cabinet



There are 2 ways to install the drawer.

Option 1: First, completely pull out the slide rails of the left and right side panels, and place the drawer above the inner side of the slide rails. Make sure that the hanging holes in the front on both sides of the drawer are aligned with the hooks of the slide rails, connect them first, then press down the end holes to make the hooks fully enter the hanging holes.

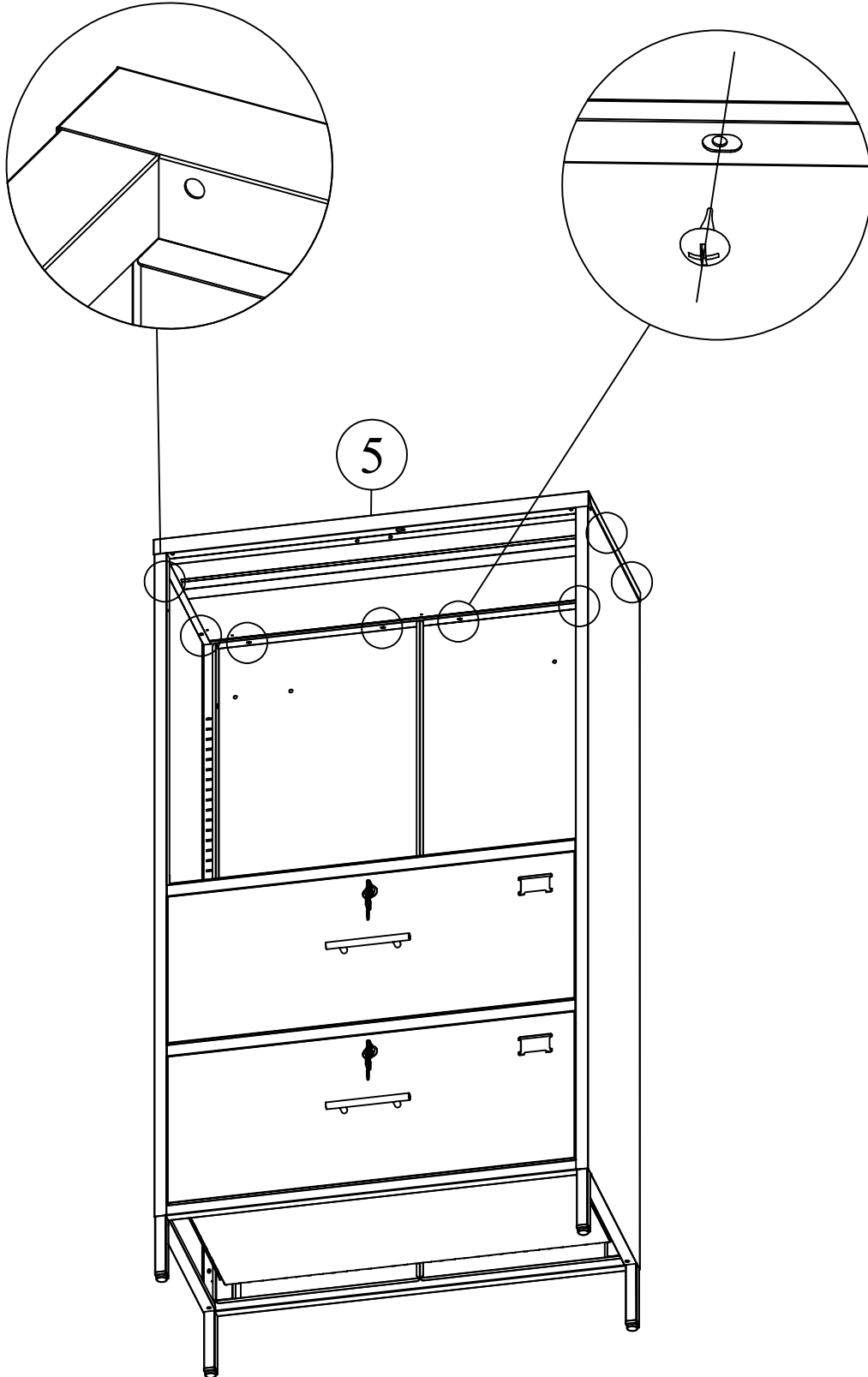
Option 2: Completely pull out the slide rail, find the small black part on the front rail, put it upward or downward to divide the rail to 2 parts. Attach the front part on the drawer side panel, so as the another side. Then align the rails on the side panels A and drawer sides and push it.

Pull out the drawer twice slowly and the lubricating oil inside the slide rails will come out and the drawer will work.

# Step 13

Connect top panel 5 with back panels and side panels by screws A

(A)  × 8



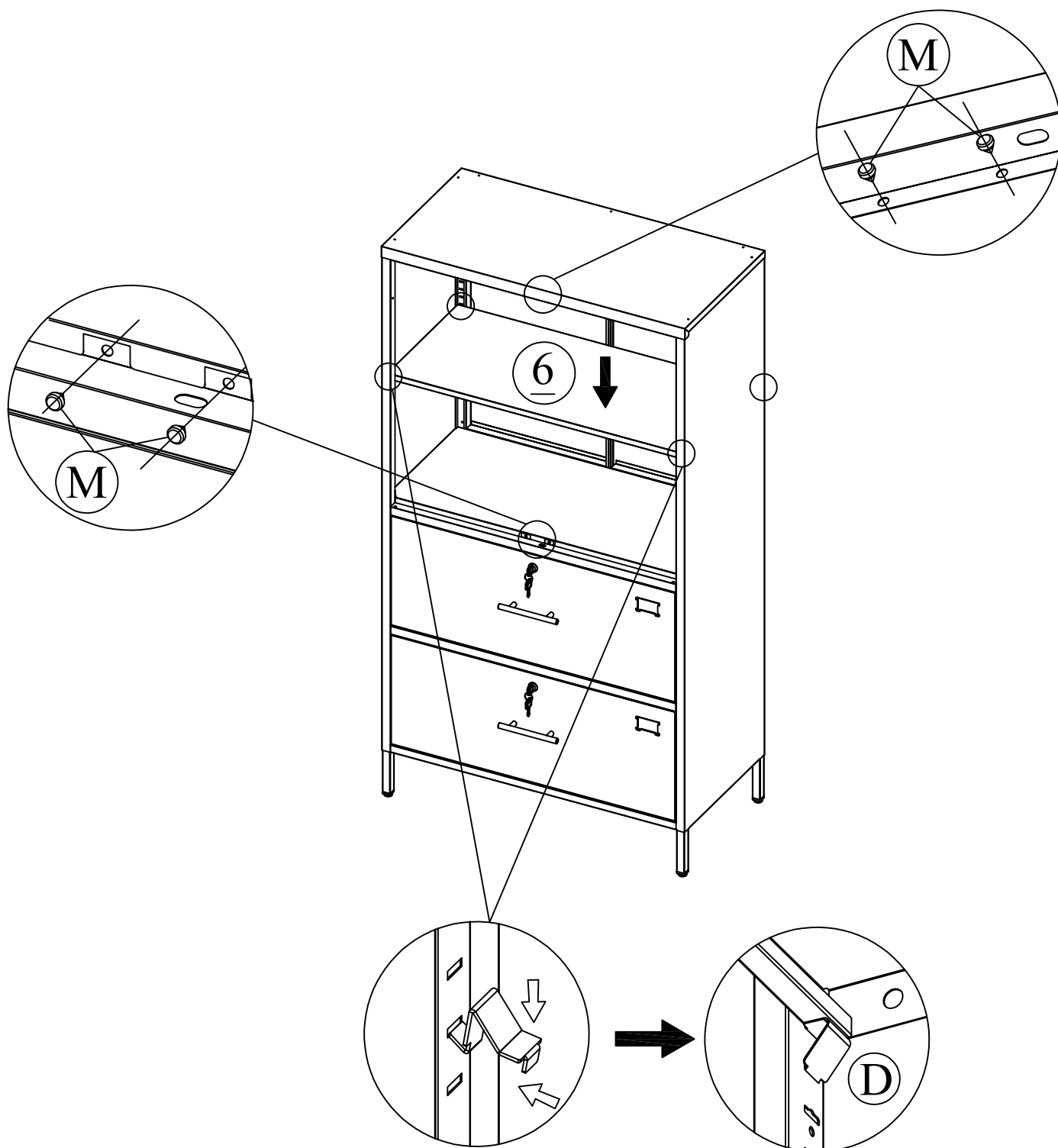
# Step 14

Install the shelf clasps D and put the shelf 6 on them

Install 4 shock absorbers M as shown below

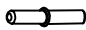


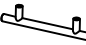
(D)  × 4

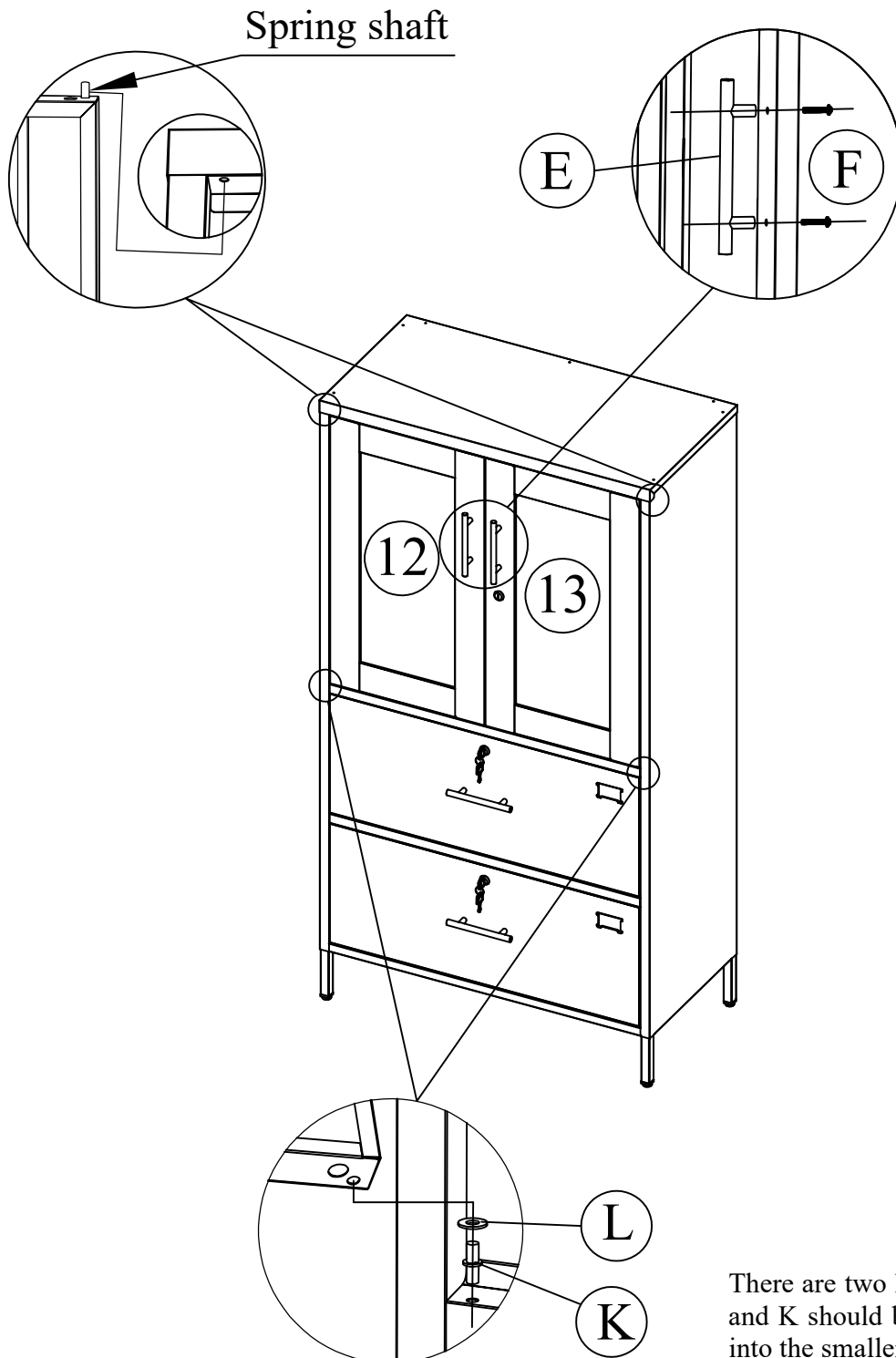
(M)  × 4



# Step 15

Insert the door pivots K into the holes of the both sides of the bottom corner (shims L can be used to adjust), then insert the doors into the door pivots on the bottom and adjust the springs on the top. Install 2 doorknobs E on the doors with screws F.

- (K)  × 2
- (L)  × 4
- (F)  × 4
- (E)  × 2

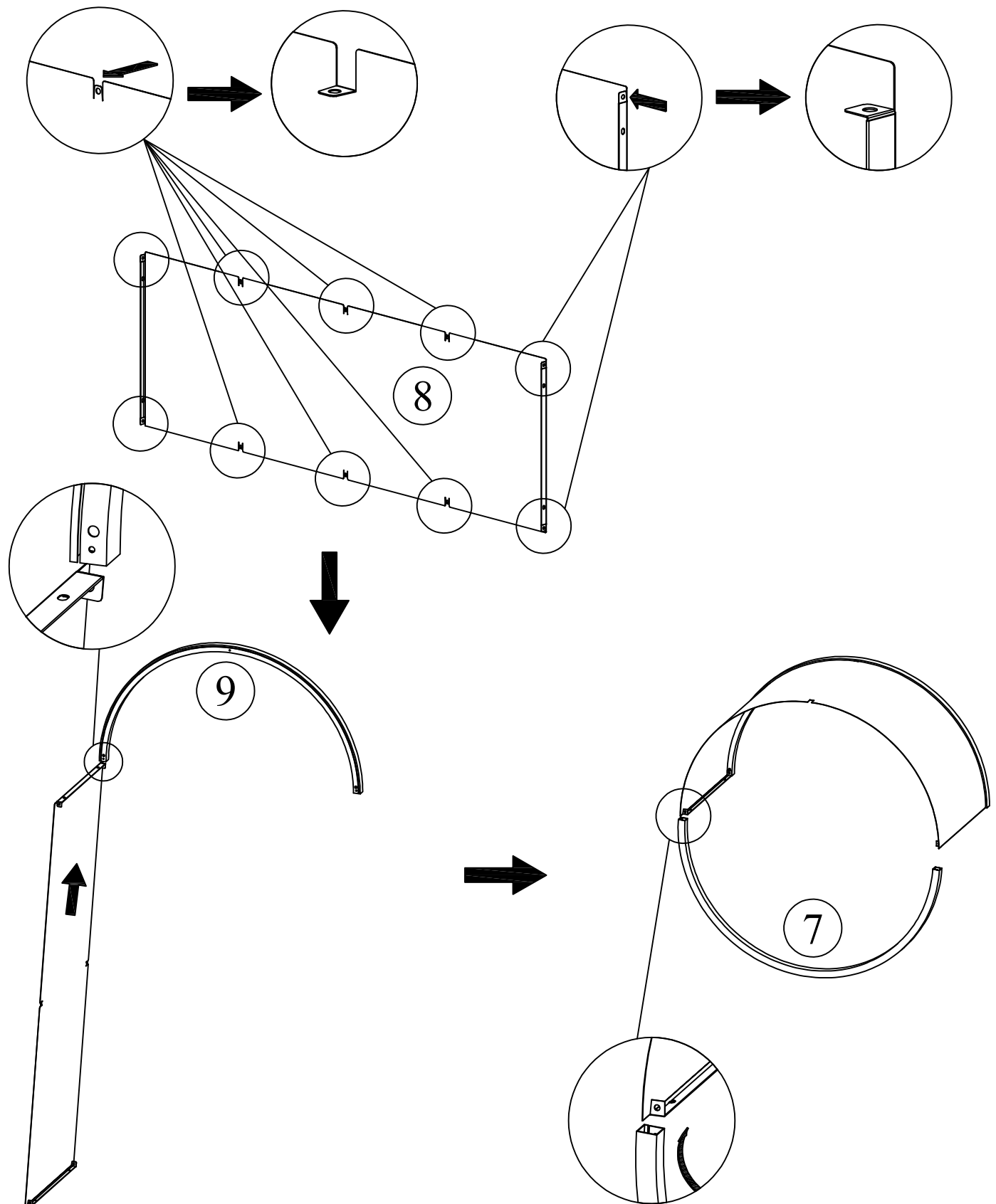


There are two holes here, and K should be inserted into the smaller hole.

# Step 16

Fold all the small parts on dome panel 8 towards the middle for 90 degree

Insert dome panel 8 into dome back tube 9 and dome front tube 7



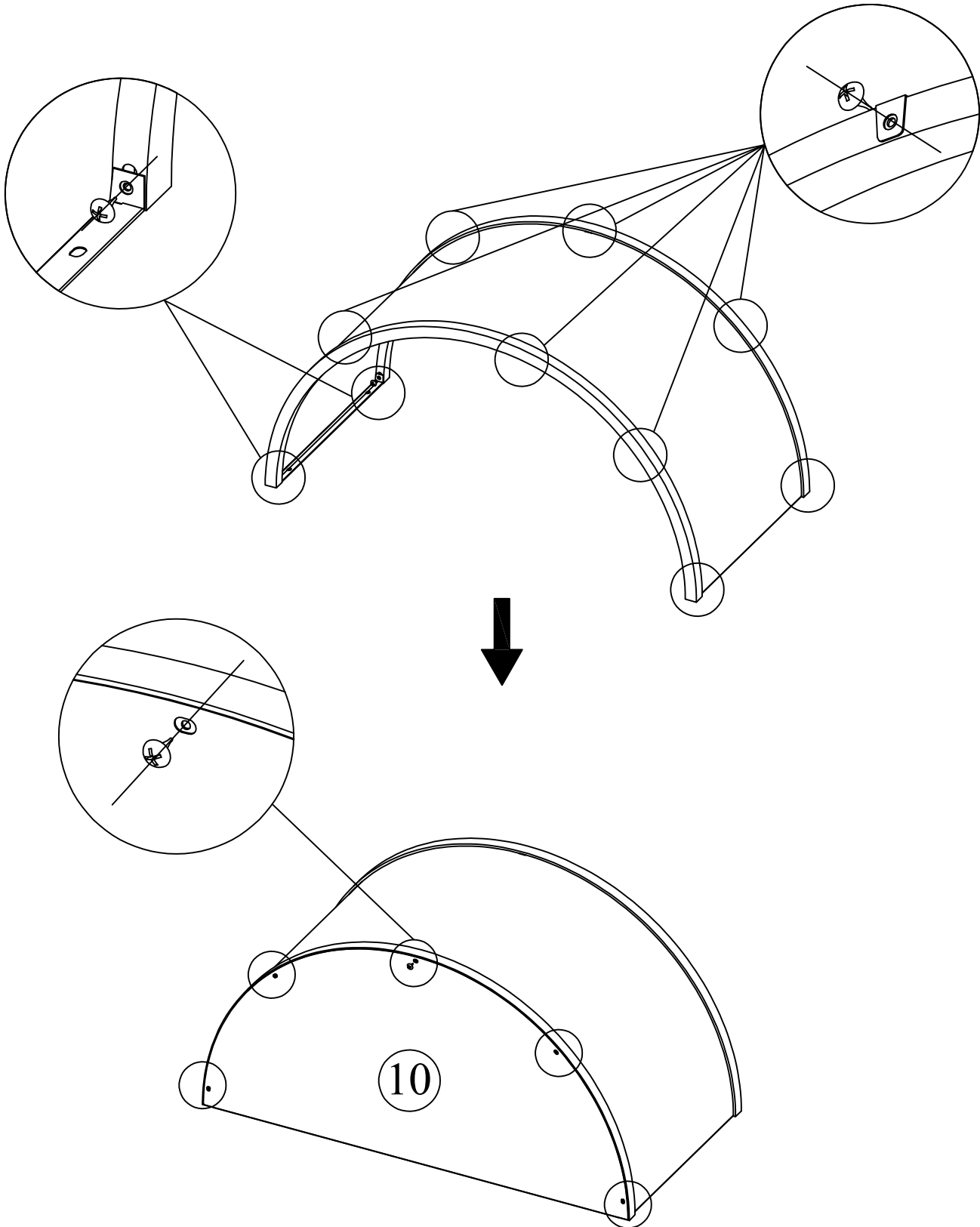
# Step 17

Fix the dome panels and tubes with 10 screws

A in the middle and ends

Fix the dome back panel 10 with 5 screws A

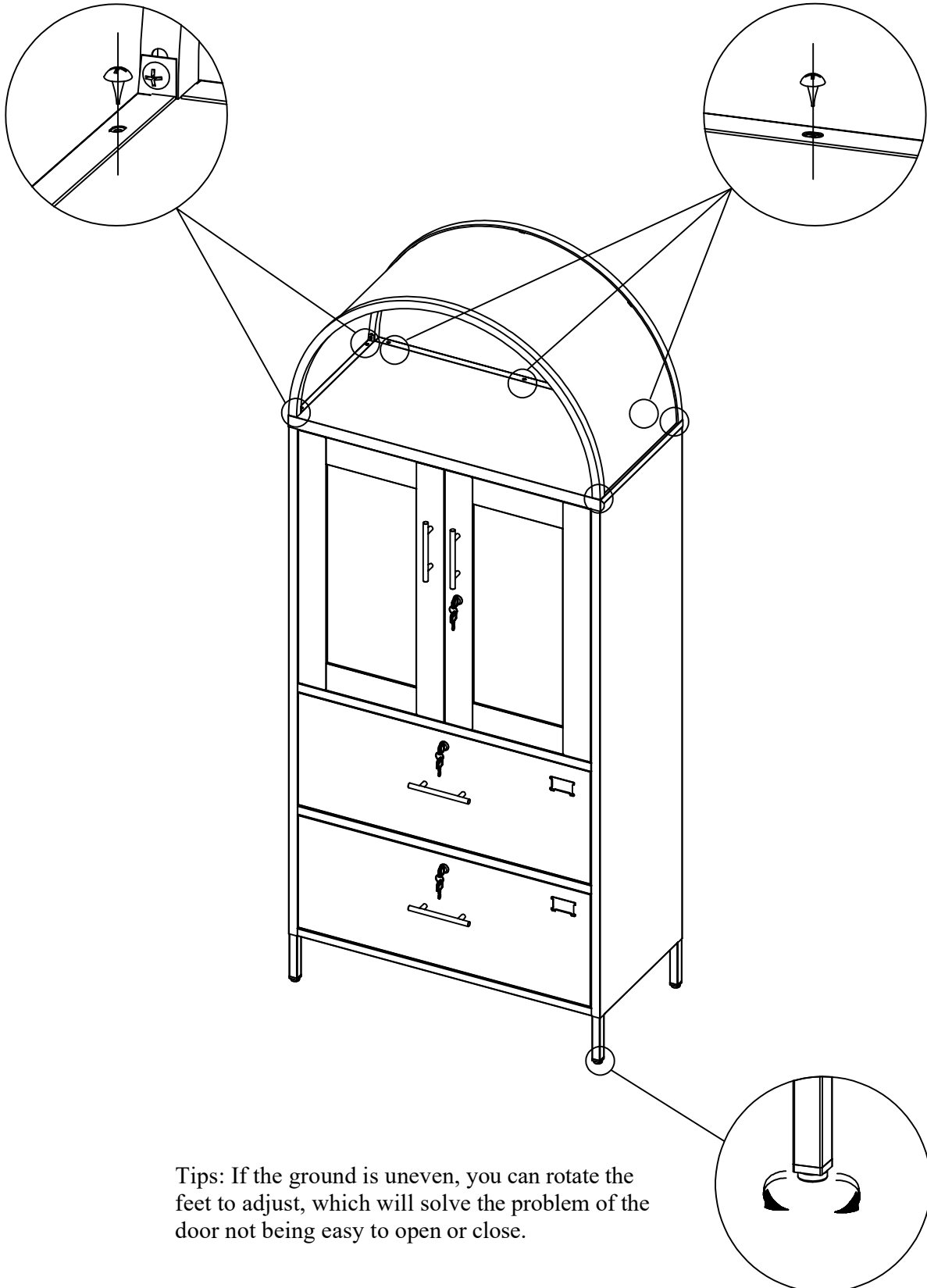
Ⓐ  × 15



# Step 18

Fix the dome on the top of the cabinet with screws A, then adjust the feet of the cabinet as your needs

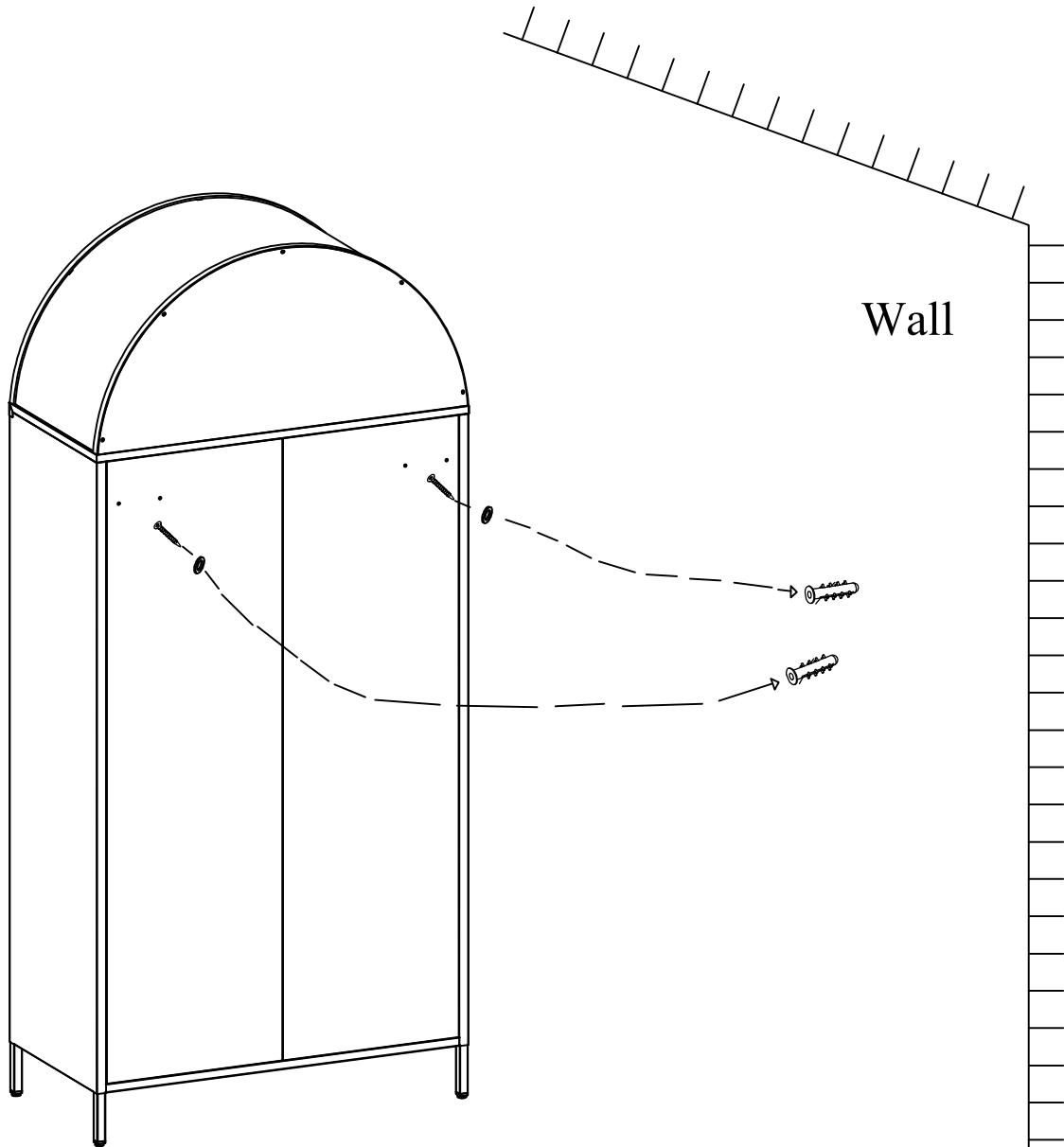
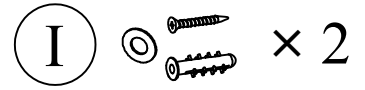
(A)  × 7



Tips: If the ground is uneven, you can rotate the feet to adjust, which will solve the problem of the door not being easy to open or close.

# Step 19

Fix the cabinet to the wall with screws  
I to prevent tipping



 **DANGER**



**Always secure this furniture with an anchor device.**

Unsecured furniture can cause serious injury or death to children.

Never allow children to stand, climb or hang on drawers, doors or shelves.

Never open more than one drawer or door at a time.

Place the heavy items on the lower position.

Never place a television on this furniture.

**This is a permanent label. Do not remove!**