
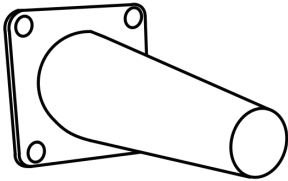

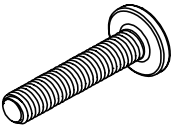
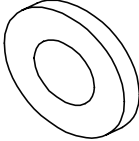


Installation Instruction

		
Chair×1	Leg×4	Allen Key×1
		
Screw M8x30mm×17	Gasket ×17	Spring Washer×17

