

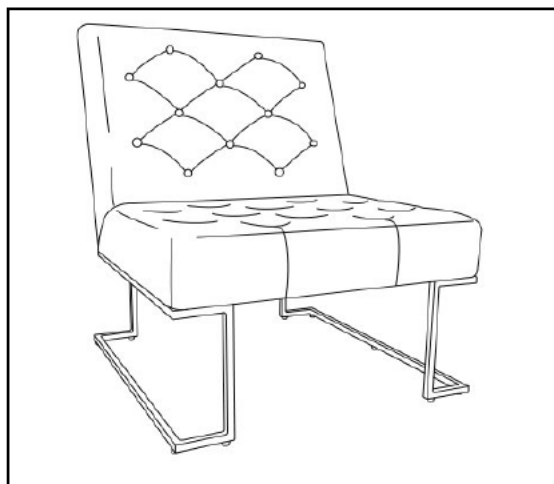
**INSTRUCTION MANUAL ENCLOSED**

**ATTENTION**

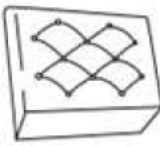




**IF YOU HAVE ANY PROBLEMS OR QUESTIONS, EMAIL OR CALL  
CUSTOMER SERVICE BEFORE YOU RETURN THIS PRODUCT TO THE  
STORE WHERE IT WAS PURCHASED.**

**INSTRUCTION MANUAL ENCLOSED**

# INDOOR CHAIR ASSEMBLY INSTRUCTION



Part	DESCRIPTION	Quantity
<b>PARTS LIST</b>		
<i>PARTS</i>		
A	Seat	1
B	Base 1	2
C	Base 2	1
<i>HARDWARE</i>		
D	Bolt M6*20mm	10
E	Allen key	1

A 	B 	C 
1pc	1pc	1pc
D  M6*20mm	E 	
10pcs	1pc	

# PLEASE READ AND FOLLOW ALL SAFETY TIPS

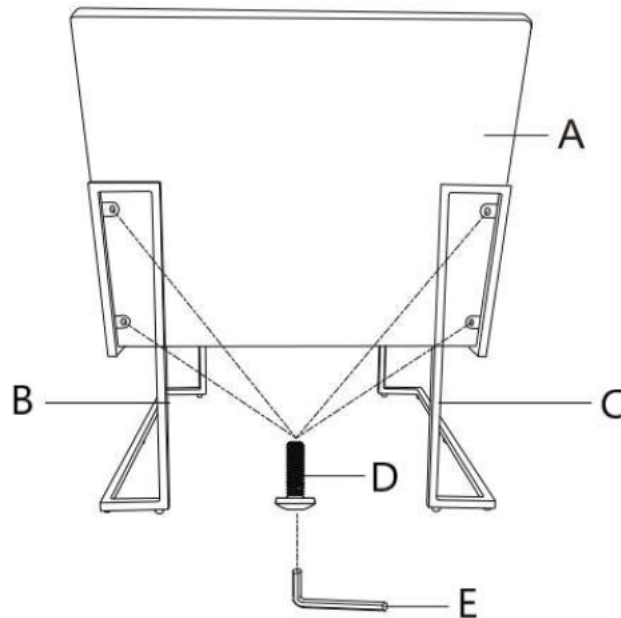
## GETTING STARTED

1. Before assembly, CAREFULLY use scissors or utility knife to cut and unwrap all parts. Make sure you do not discard the hardware.

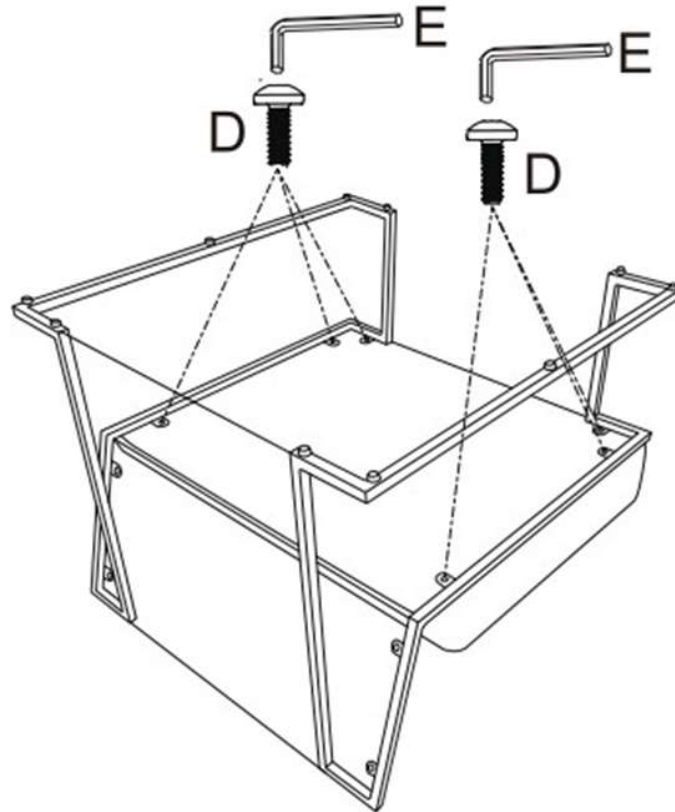
### Warm Tips:

1. The plastic covers on some metal parts are just for product protection. Please remove it before assembly.
2. Please follow the sequence of AI during assembly.
3. Do not tighten the screws until all of them are in right positions.

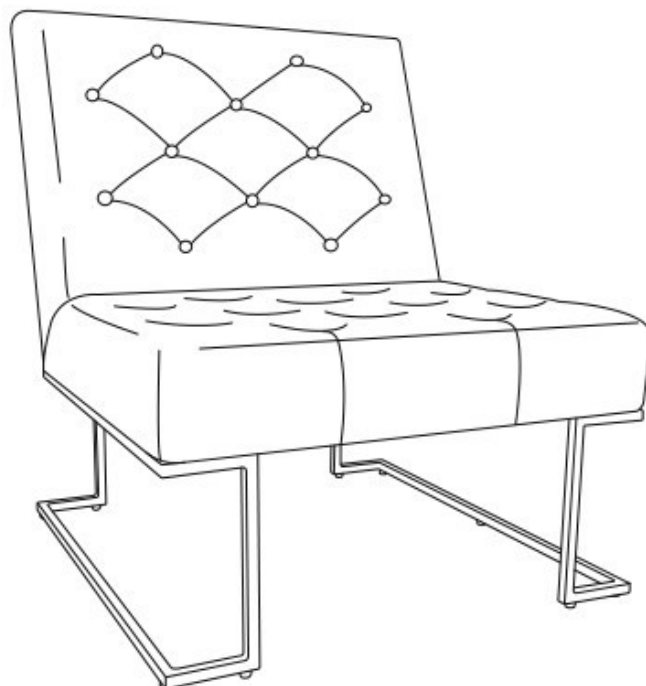
1. Position Seat (A) to Base (B&C) by the pre-drilled threads. Use Allen Key (E) to fasten Bolts (D). Each Base should have 2 bolts fastened. (Photo 1)



2. Flip over the Seat. Position Seat (A) to Base (B&C) by the pre-drilled threads. Use Allen Key (E) to fasten Bolts (D). Each Base should have 3 bolts fastened.



3. Turn back the whole assembled chair.



You have completed assembling the furniture – enjoy!