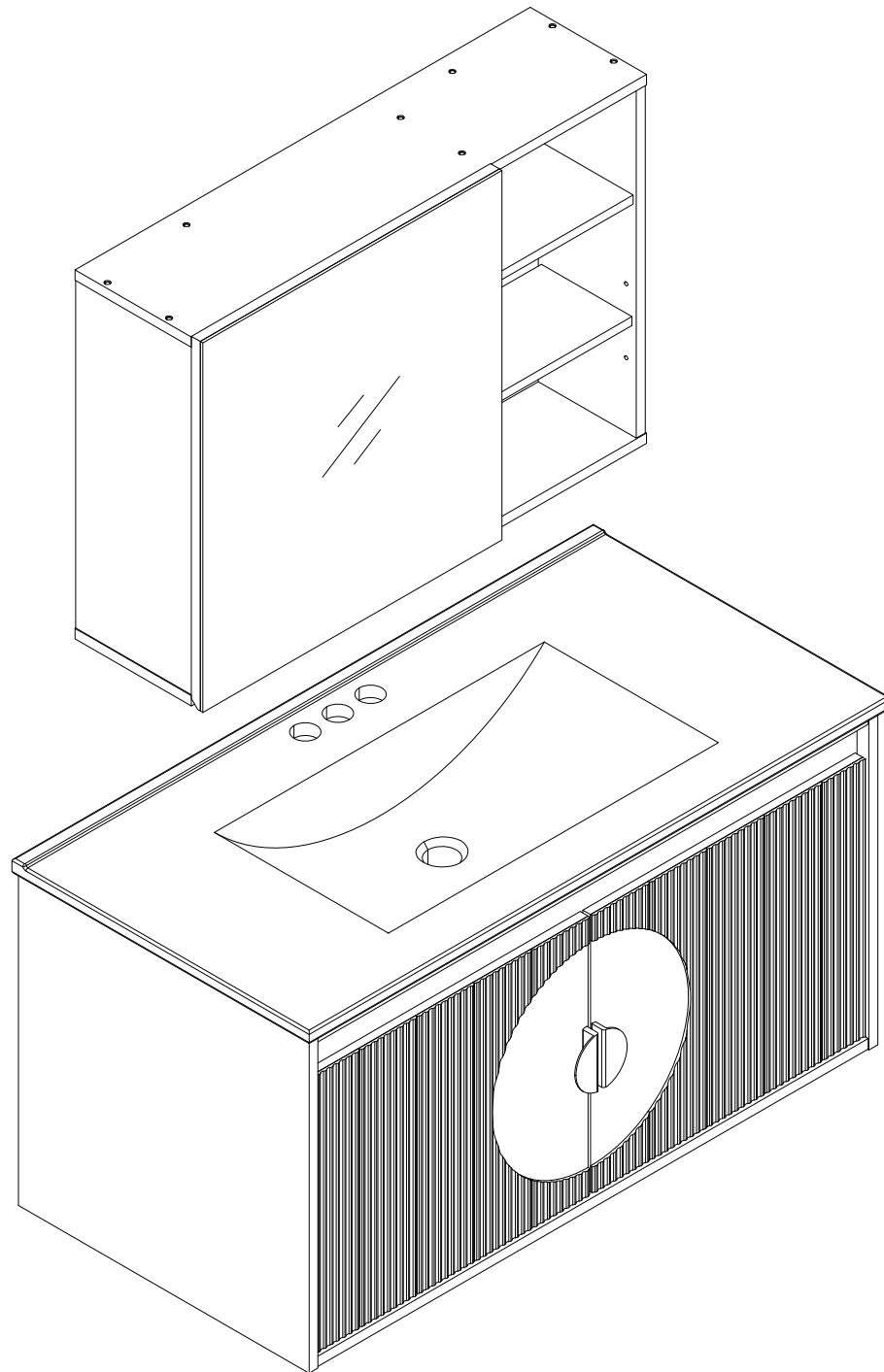


Assembly Instructions



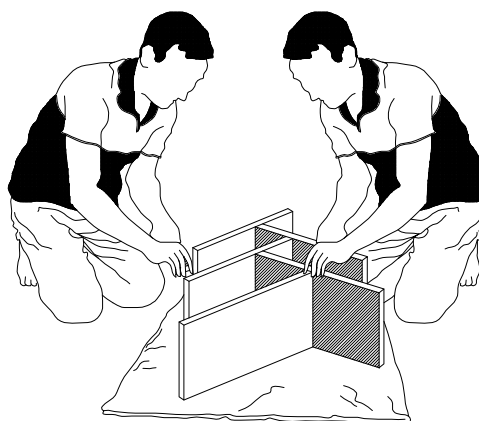
HAND SINK CABINET

CATALOG:

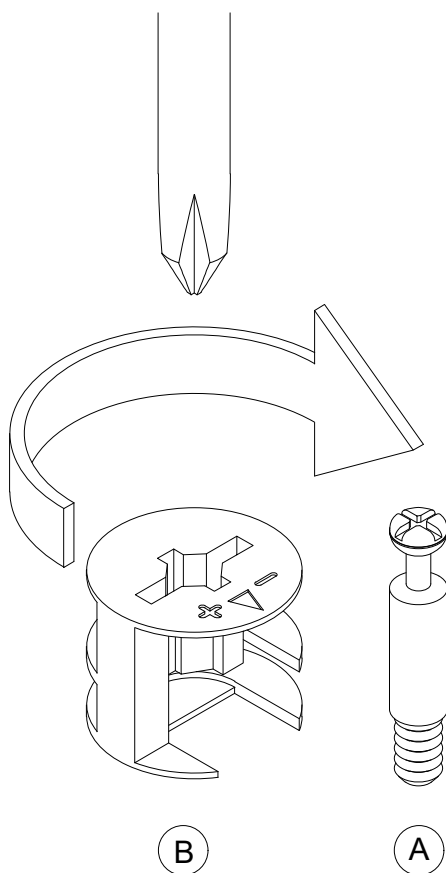
Part List.....4-5.
AccessoriesList.....6.
Assemble.....7-30.

Foreword:

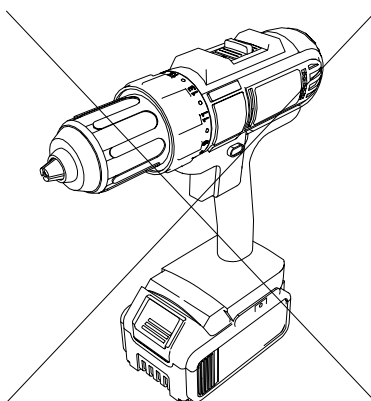
Thank you for choosing our product! We hope you have a good shopping experience!
We aim to provide a 100% satisfaction product and customer service.



Requires 2 people to assemble
the product more easily



Only slight turn of cams required.
Do **NOT** overturn.

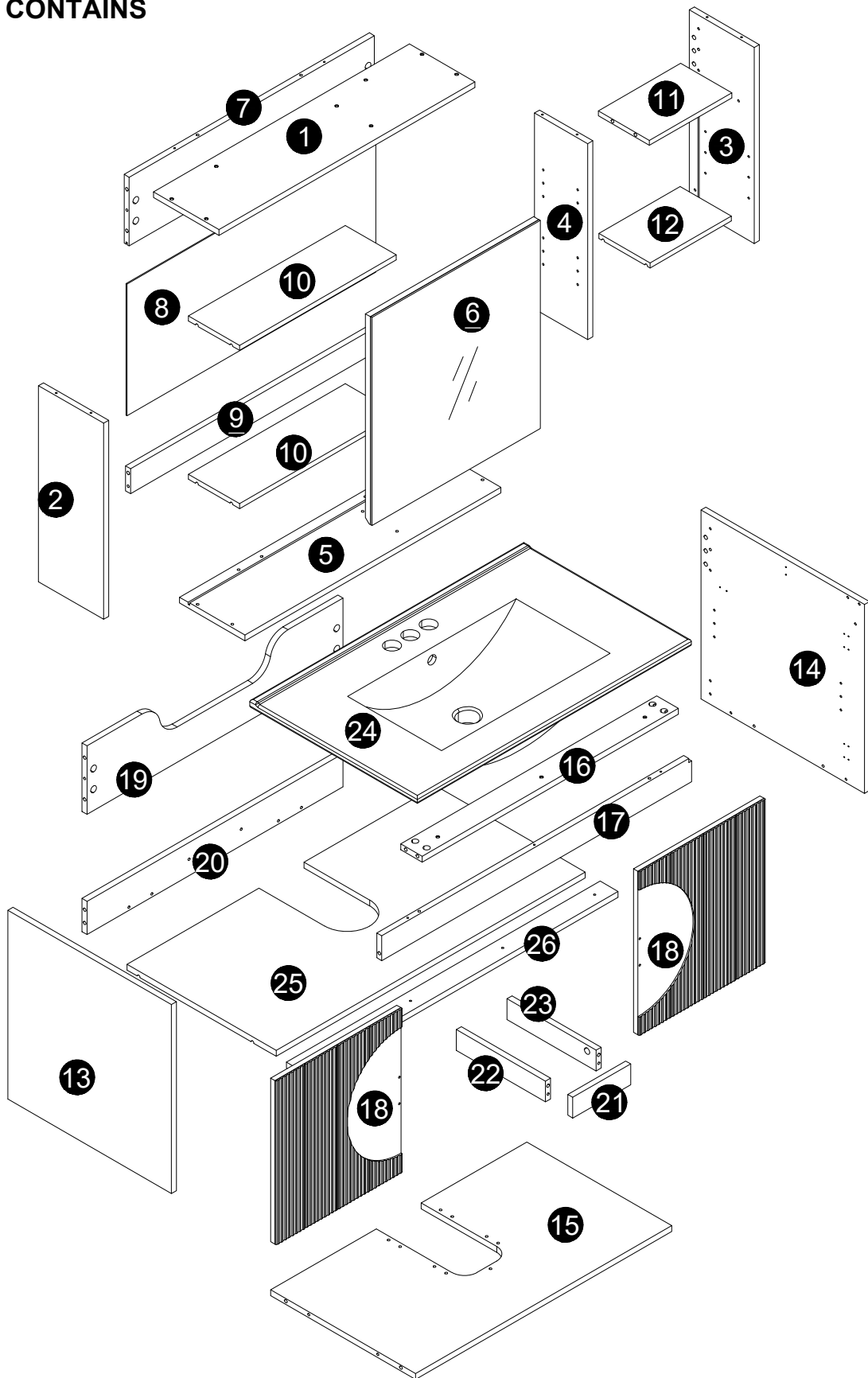


*Power Tool **NOT**
Recommended for **A-B**
hardware assembly



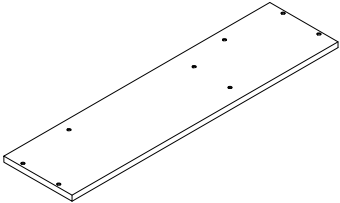
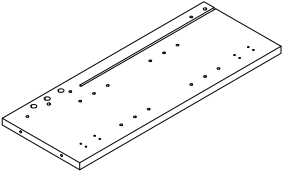
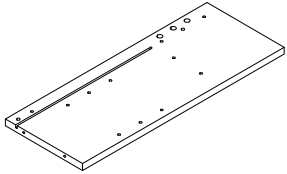
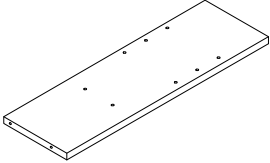
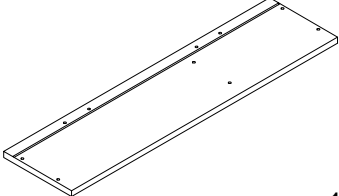
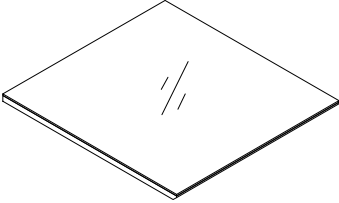
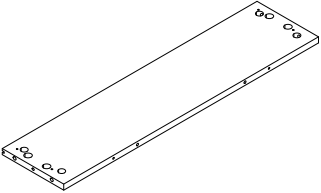
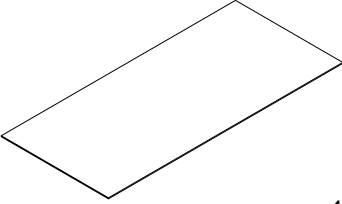
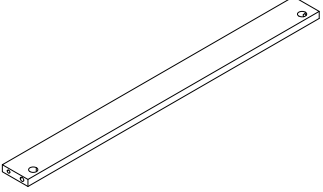
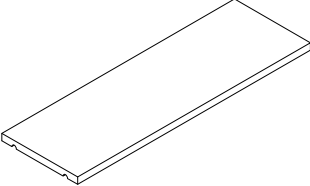
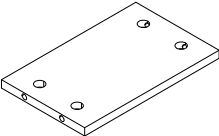
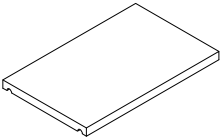
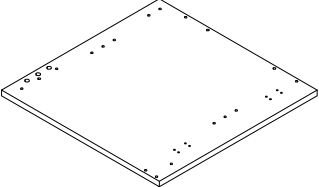
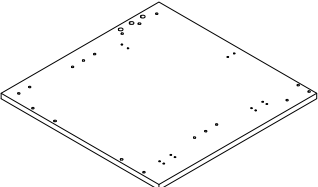
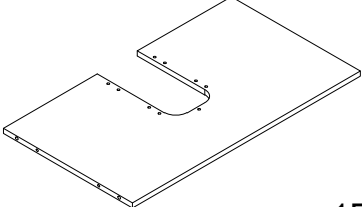
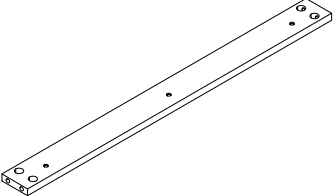
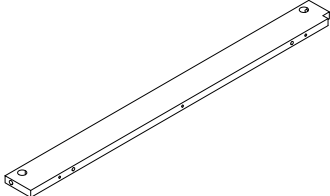
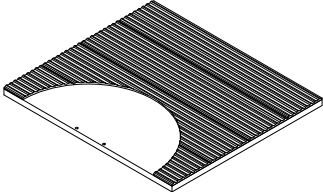
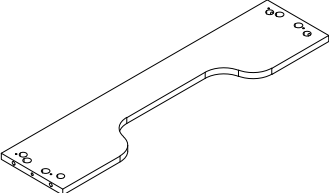
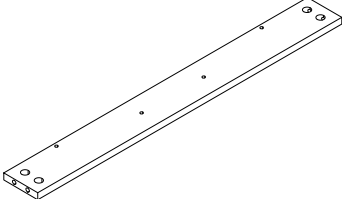
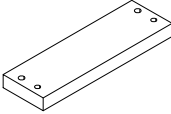
TOOL REQUIRED
Phillips Screwdriver

PACKAGE CONTAINS

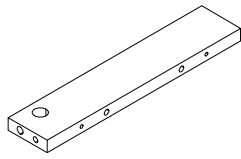


1. When installing the product, use a soft surface (such as carpet or cardboard) to avoid scratching or damaging the surface of the product.
2. Please try to use a manual screwdriver instead of electric screw driver. A manual screwdriver can be used to better control the tightness of the screws.
3. Do not use any glue.
4. The product is unstable before it is assembled. Please pay attention to the product installation sequence, and align all screws and screw holes before tightening.
5. The structure of this product can not meet the requirements of children climbing.

PARTS LIST (Unit: mm)

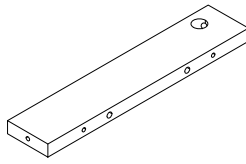
<p>1</p>  <p>1PC</p>	<p>2</p>  <p>1PC</p>	<p>3</p>  <p>1PC</p>
<p>4</p>  <p>1PC</p>	<p>5</p>  <p>1PC</p>	<p>6</p>  <p>1PC</p>
<p>7</p>  <p>1PC</p>	<p>8</p>  <p>1PC</p>	<p>9</p>  <p>1PC</p>
<p>10</p>  <p>2PCS</p>	<p>11</p>  <p>1PC</p>	<p>12</p>  <p>1PC</p>
<p>13</p>  <p>1PC</p>	<p>14</p>  <p>1PC</p>	<p>15</p>  <p>1PC</p>
<p>16</p>  <p>1PC</p>	<p>17</p>  <p>1PC</p>	<p>18</p>  <p>2PCS</p>
<p>19</p>  <p>1PC</p>	<p>20</p>  <p>1PC</p>	<p>21</p>  <p>1PC</p>

22



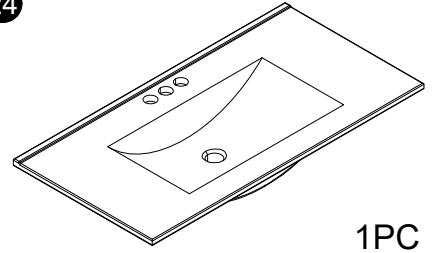
1PC

23



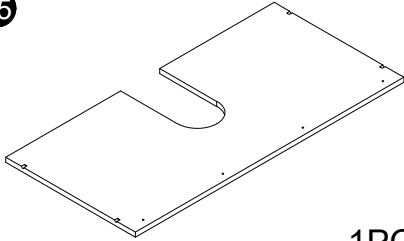
1PC

24



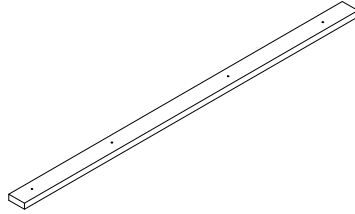
1PC

25



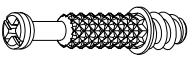

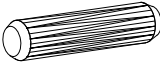

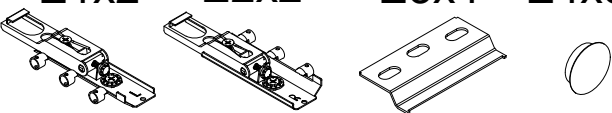
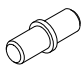
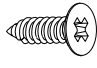
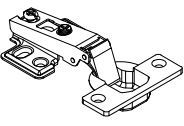
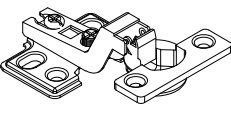
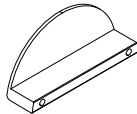


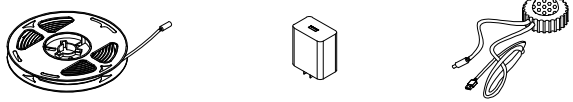
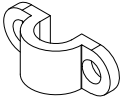
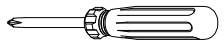
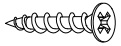
1PC

26



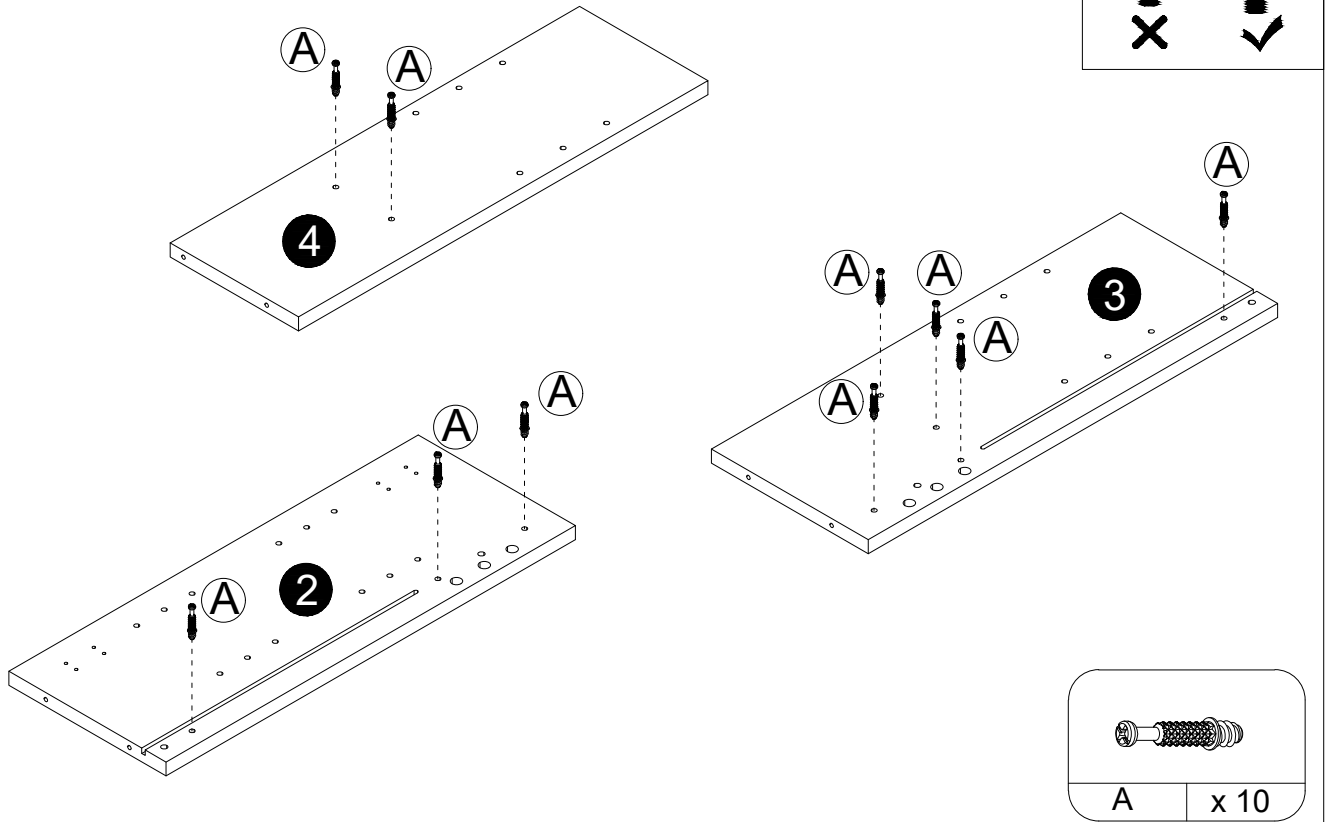
1PC

ACCESSORIES LIST (Unit: mm)

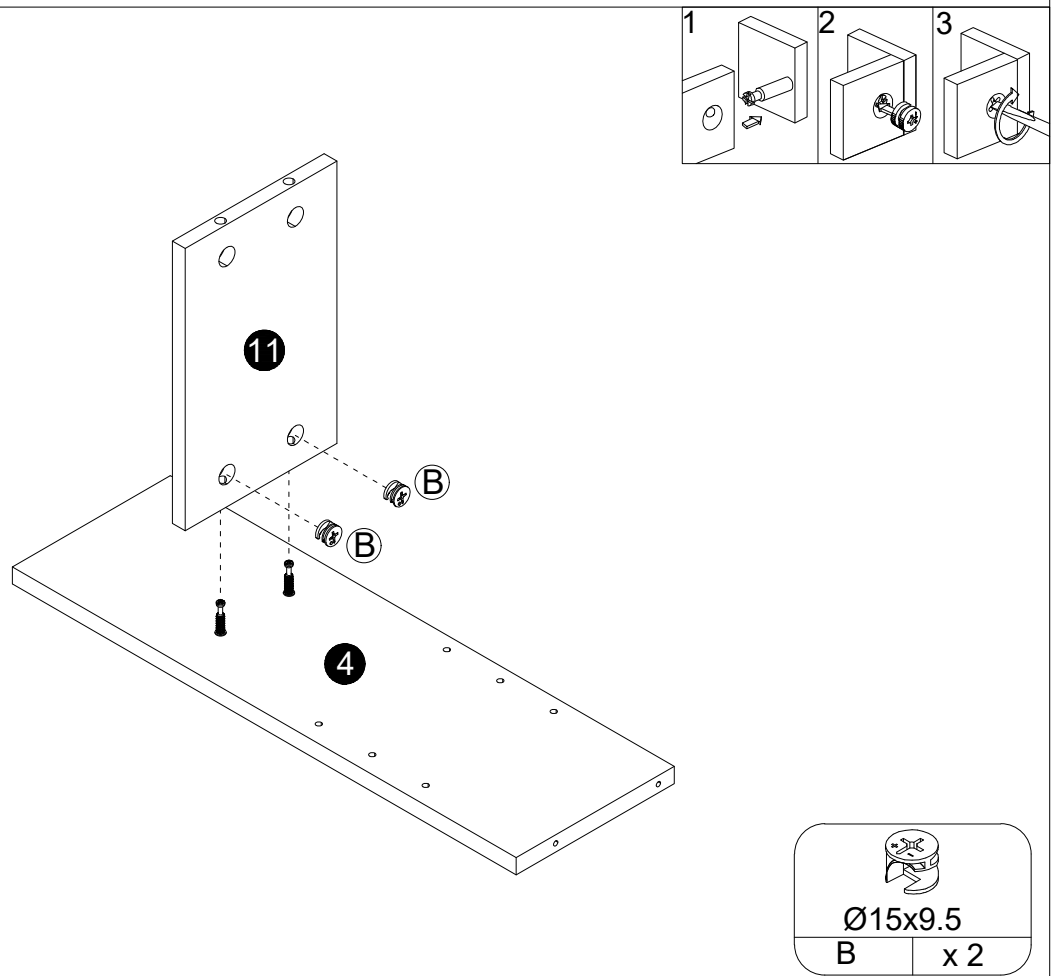
 A x30+3	 Ø15x9.5 B x30+3	 Ø6x30 C x24+2	 Ø5X38 D x28+2
E1x2 E2x2 E3x4 E4x8  E		 F x16	 Ø4X14 G x48+4
 H x2	 I x4	 J x2	 M4x16 K x4
L1x12 L2x12  L	M1x1 M2x1 M3x1  M		 N x2
 O x1	 Ø4X25 P x4+1		

INSTALLATION INSTRUCTION

STEP 1

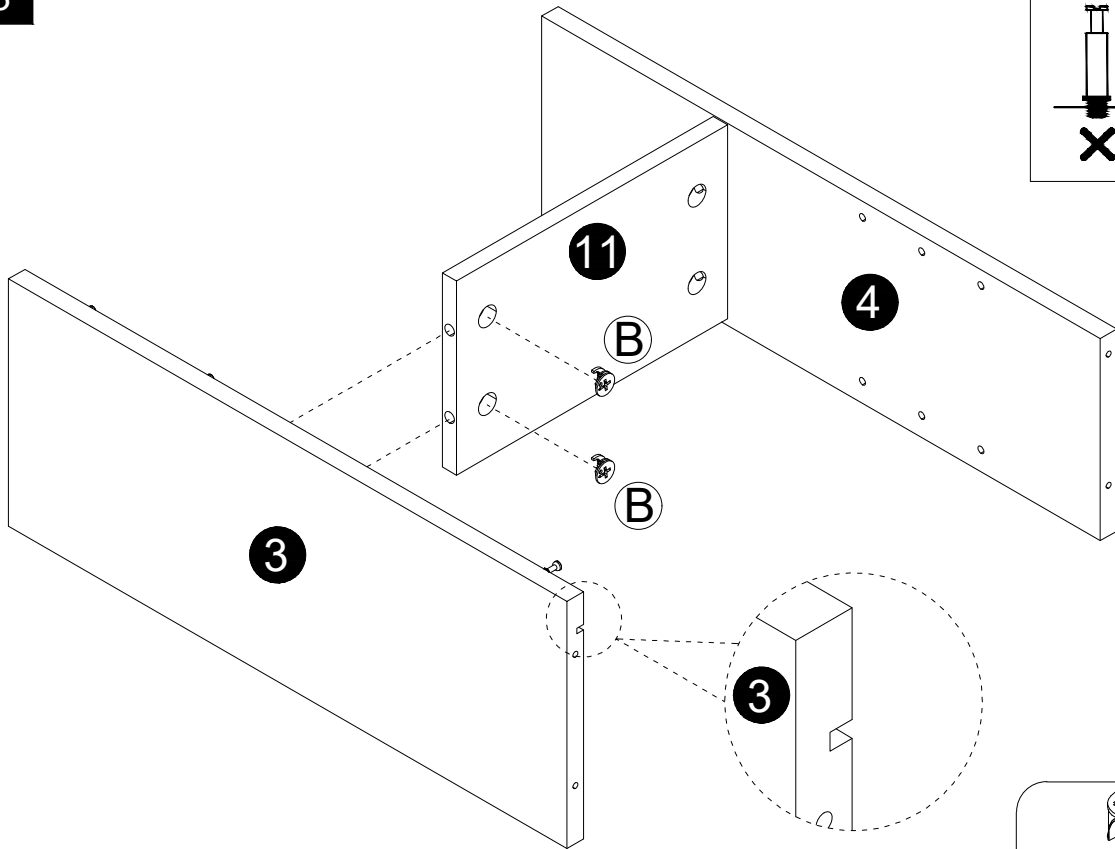



STEP 2



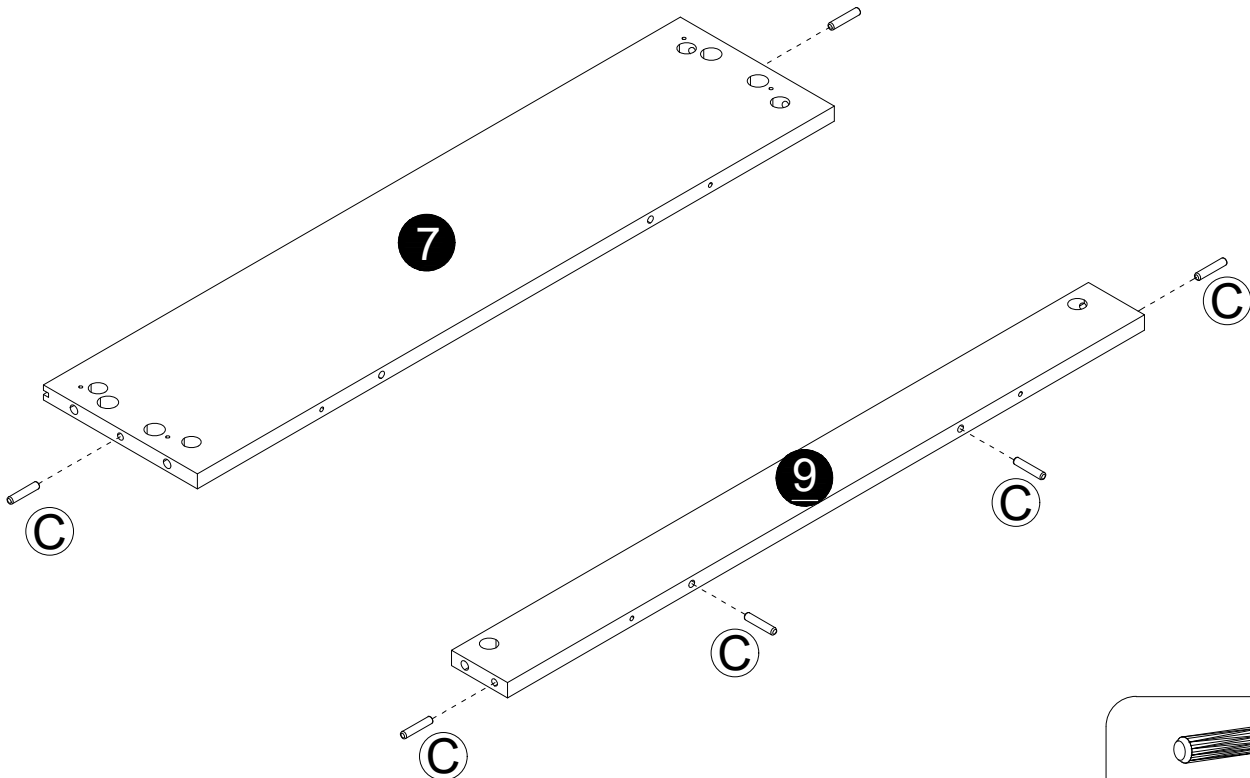
INSTALLATION INSTRUCTION


STEP3



	
Ø15x9.5	
B	x 2

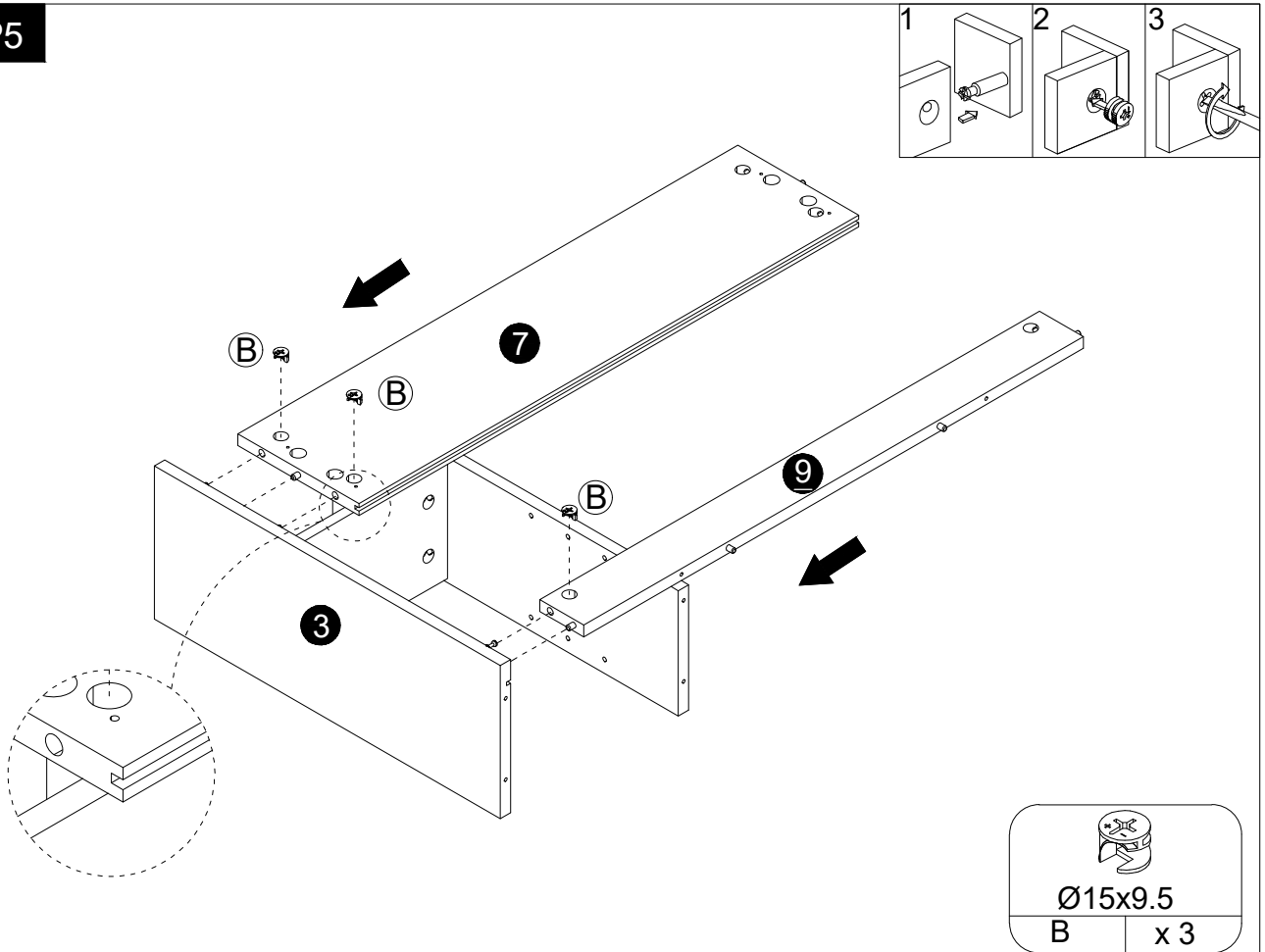
STEP4



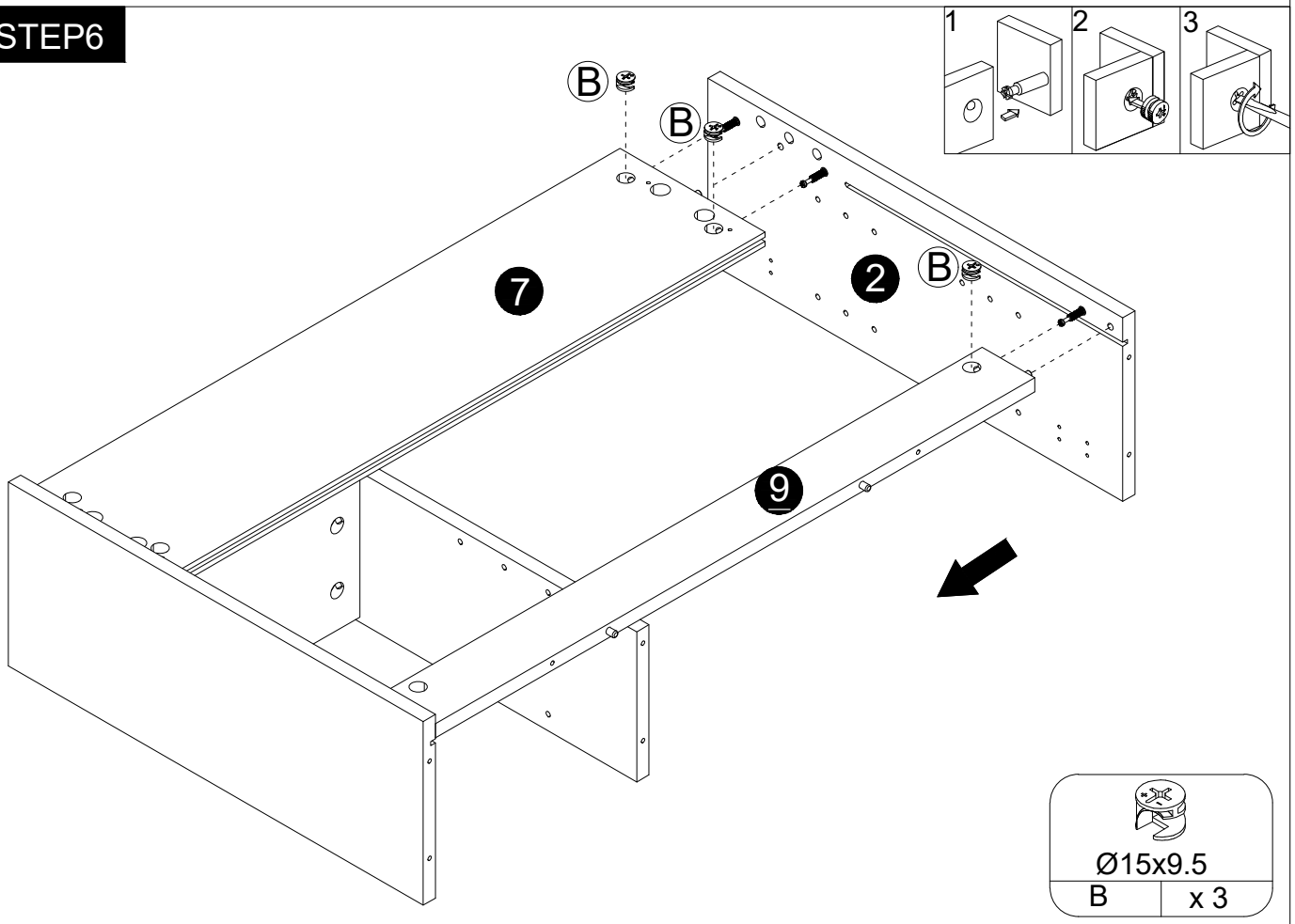
	
Ø6x30	
C	x 6

INSTALLATION INSTRUCTION

STEP 5

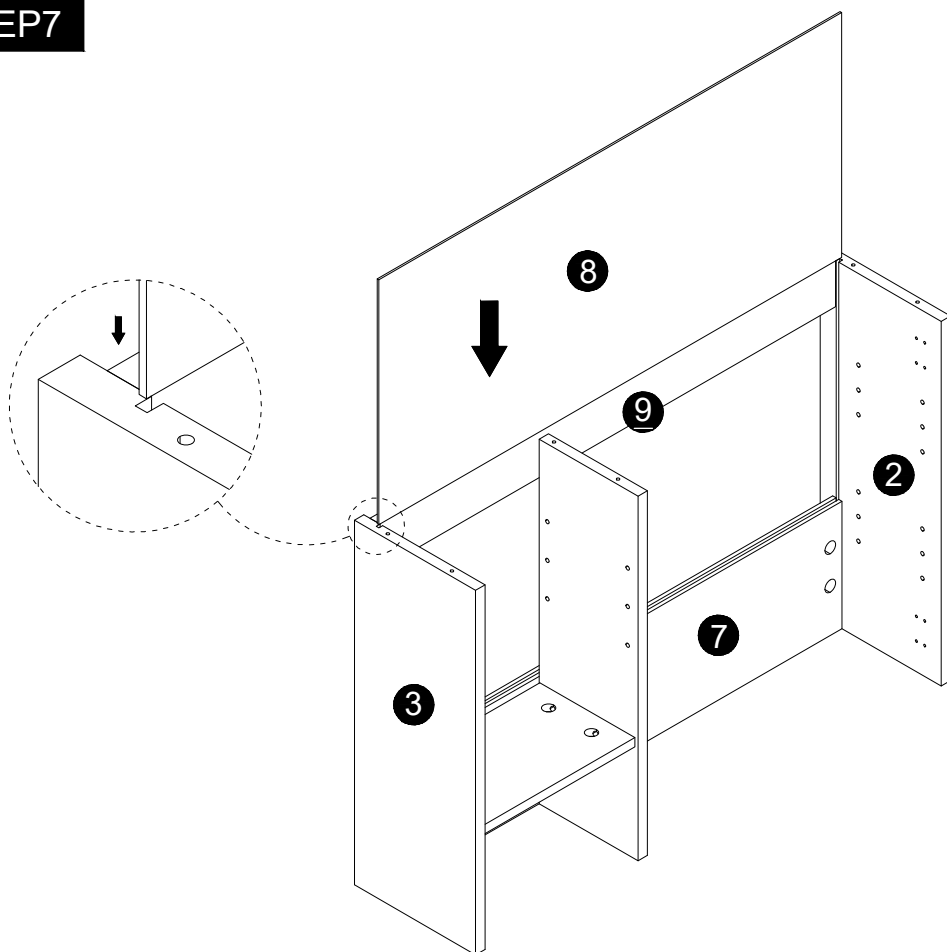


STEP 6

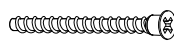
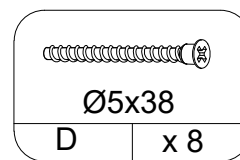
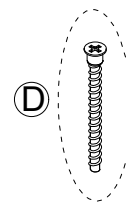
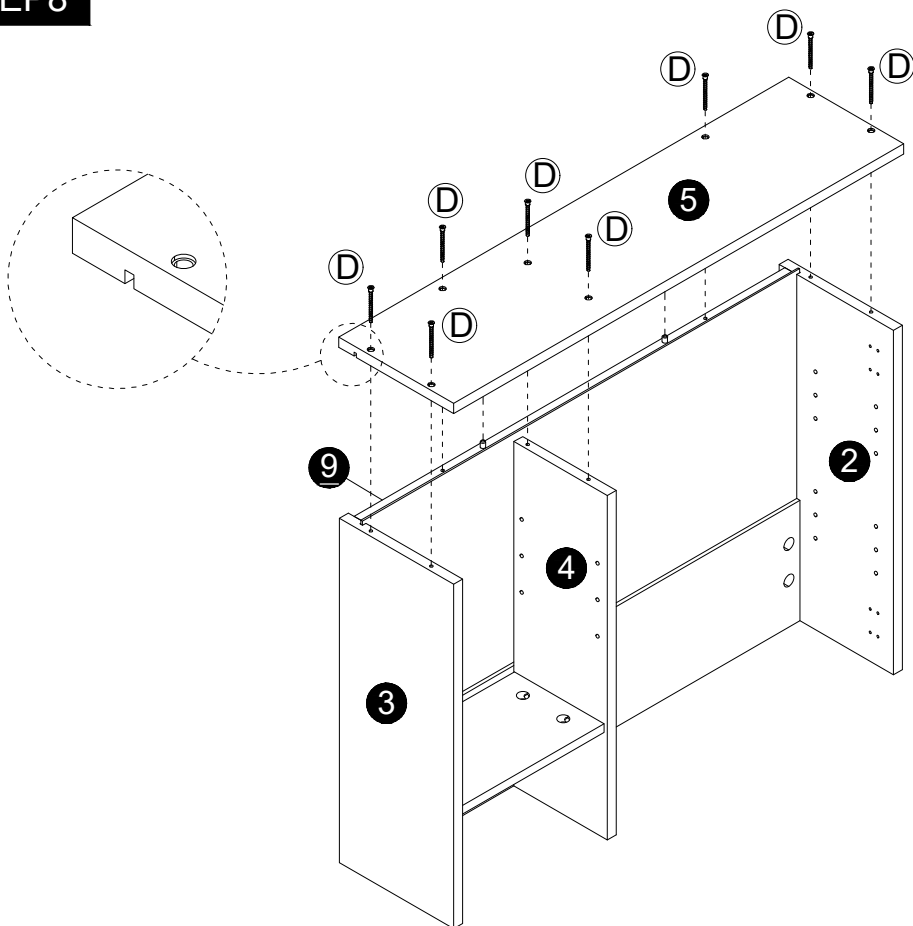


INSTALLATION INSTRUCTION

STEP 7



STEP 8

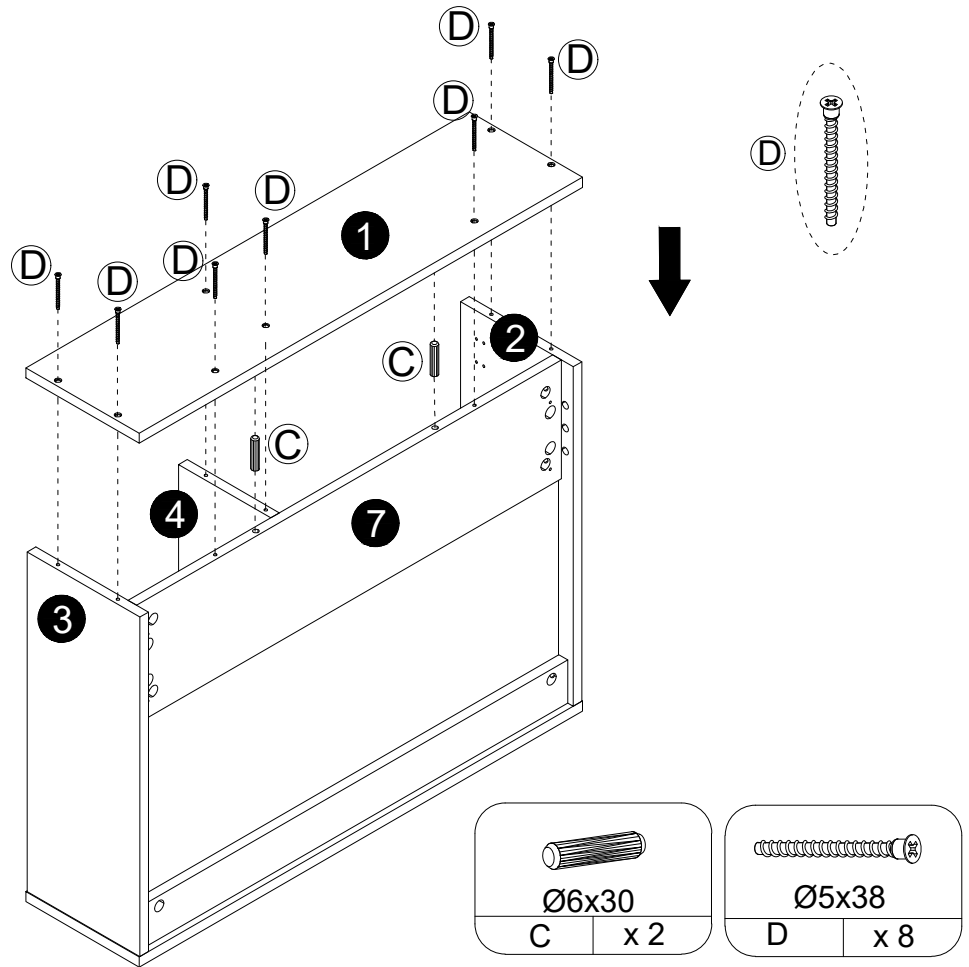


Ø5x38

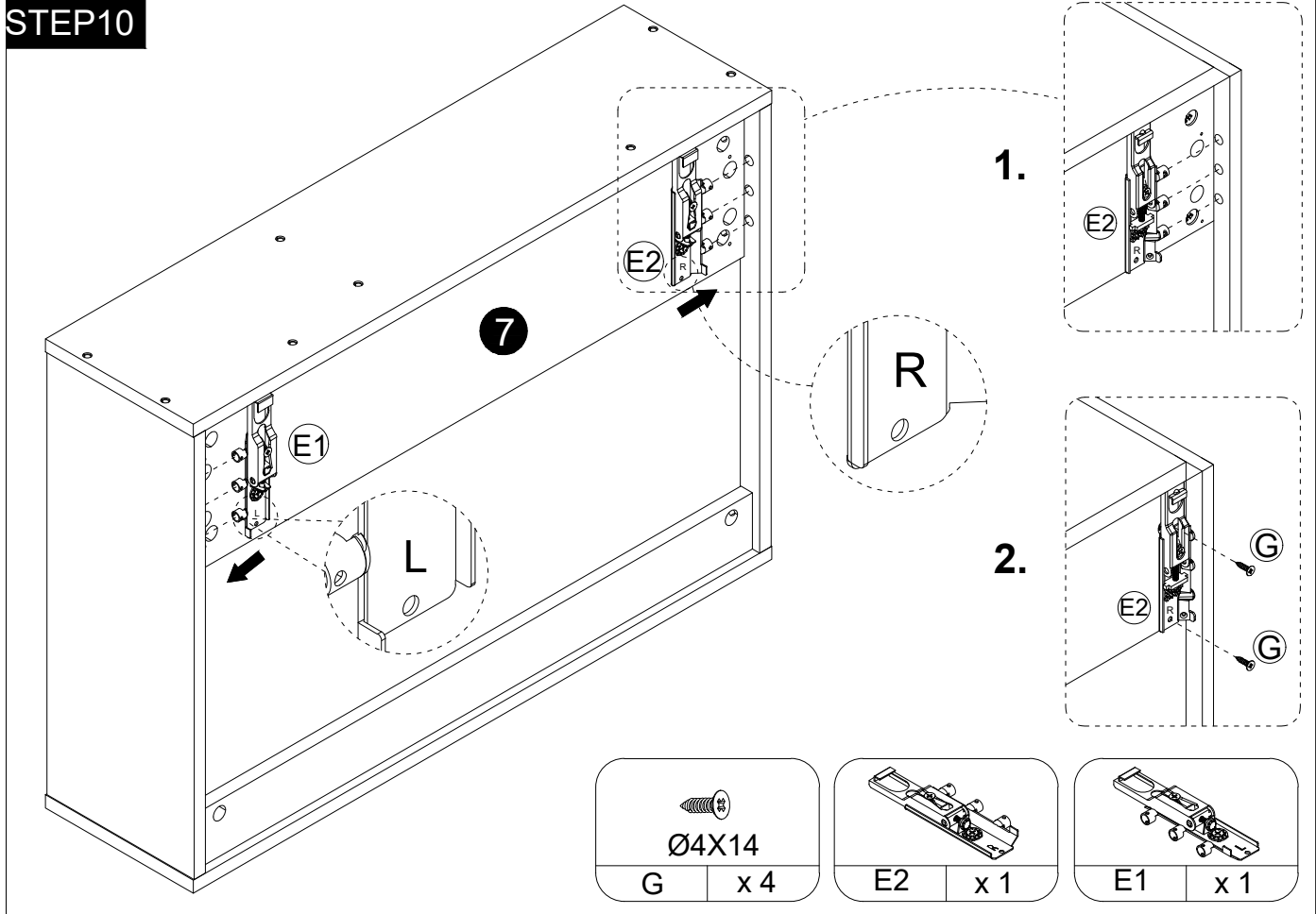
D x 8

INSTALLATION INSTRUCTION

STEP 9

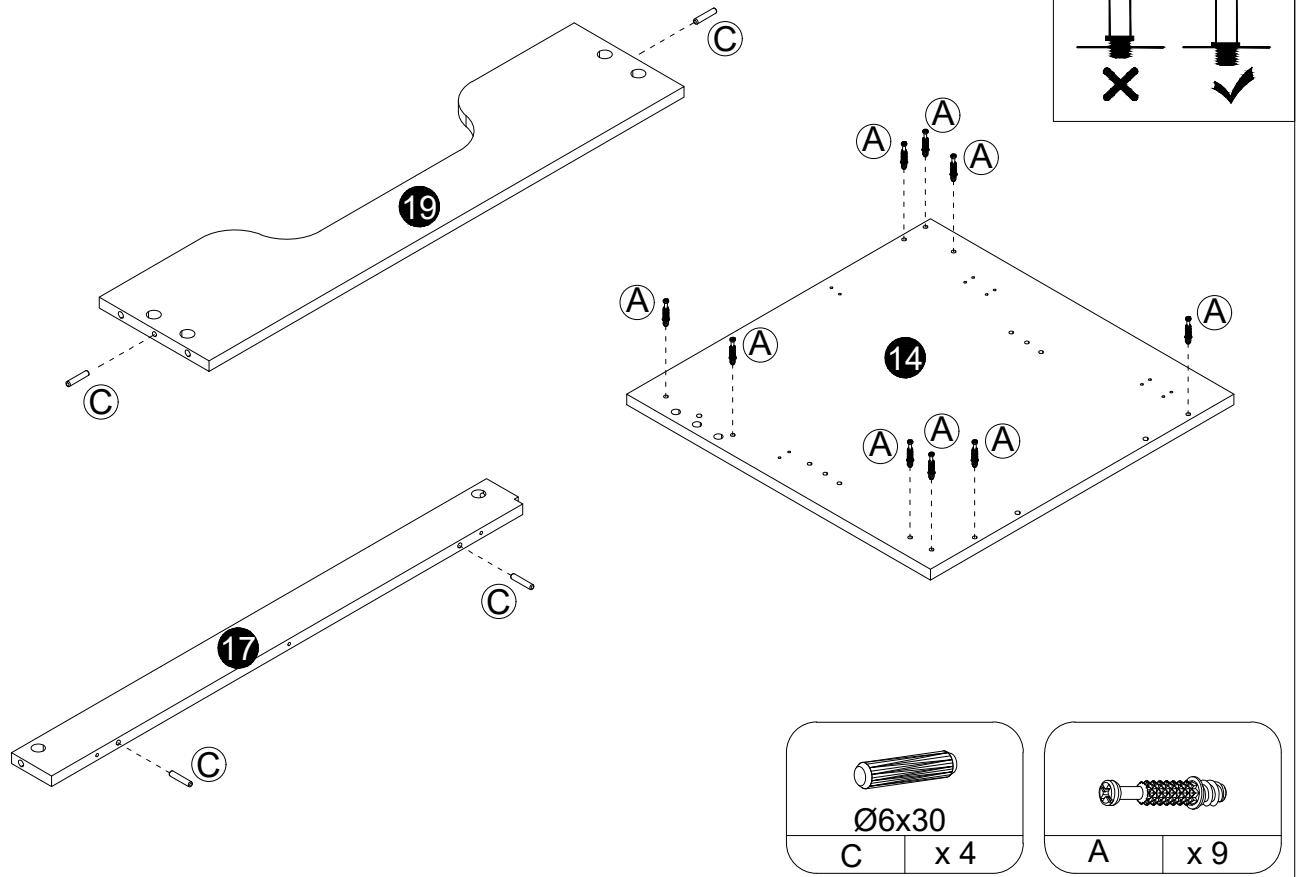


STEP 10

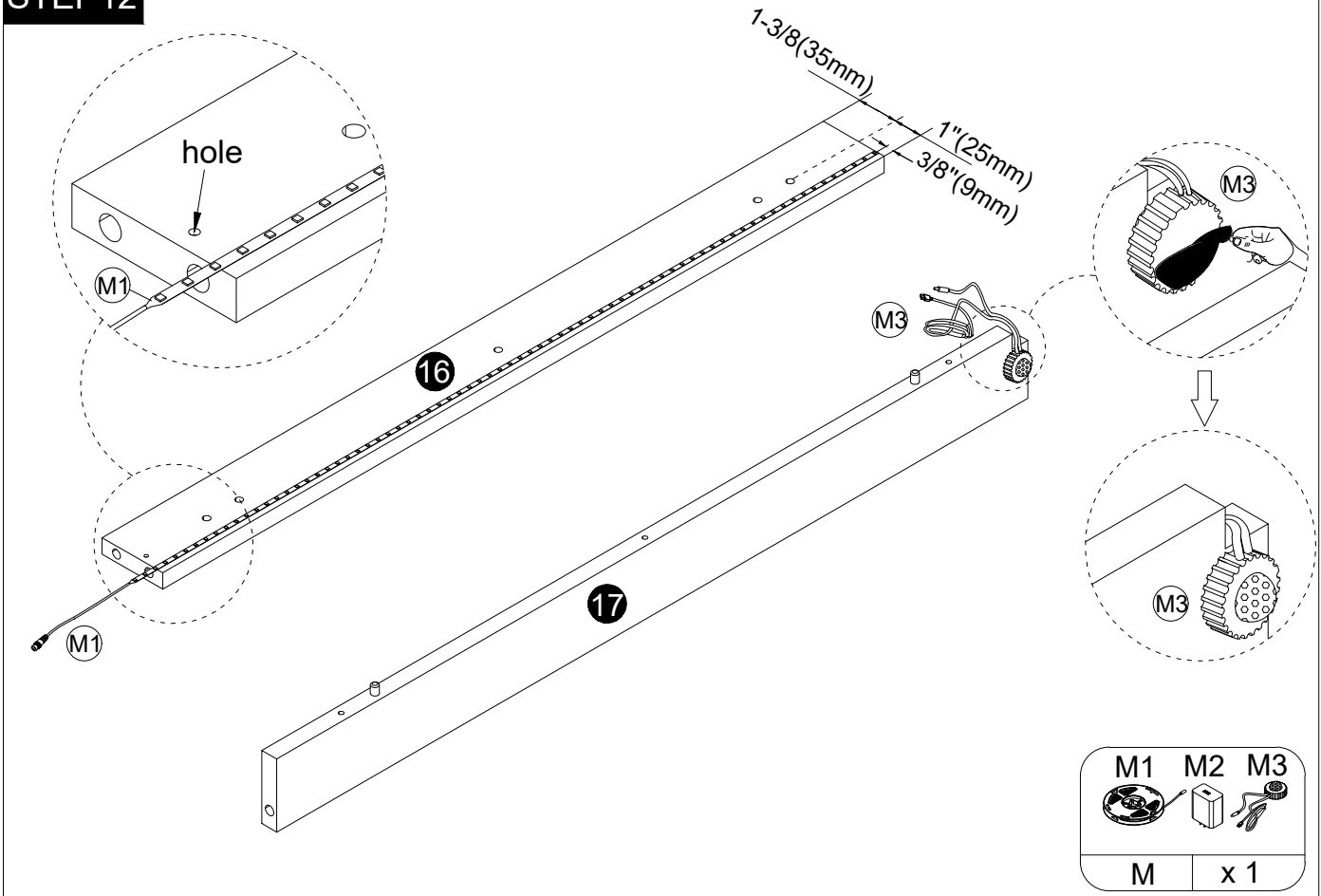


INSTALLATION INSTRUCTION

STEP 11

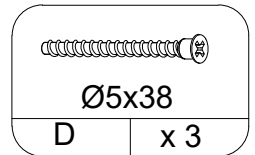
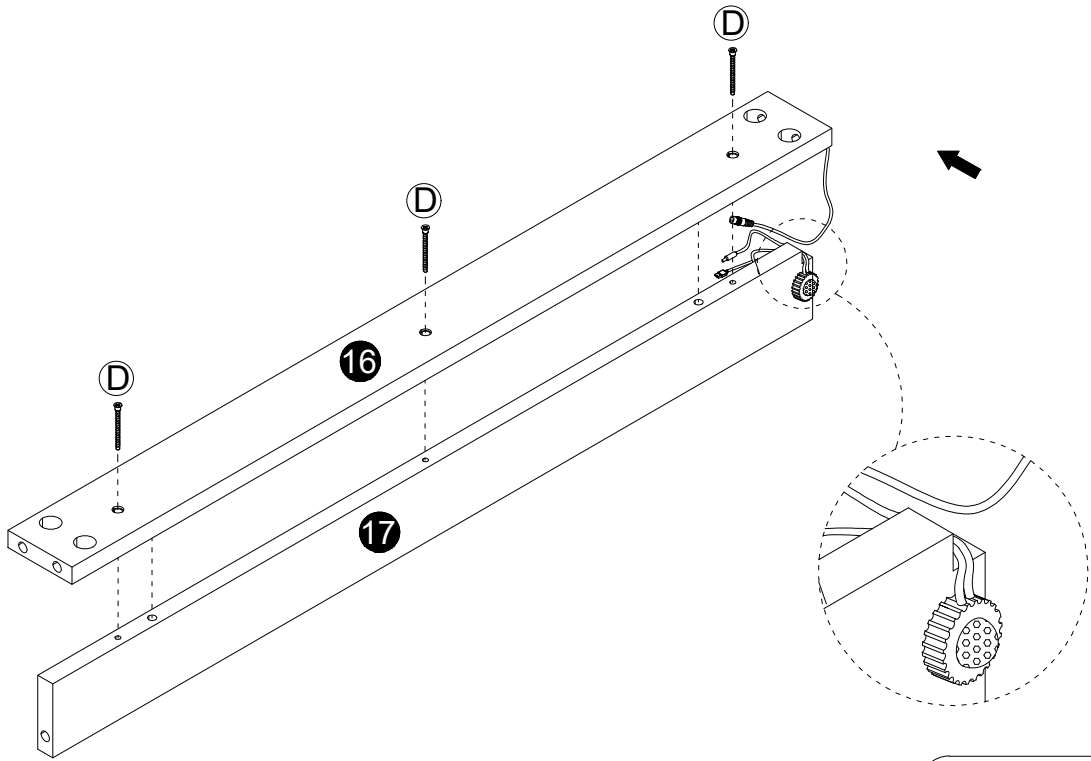


STEP 12

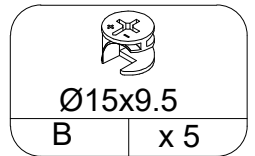
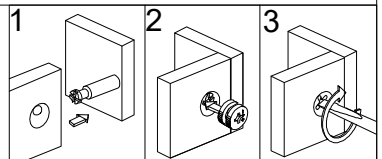
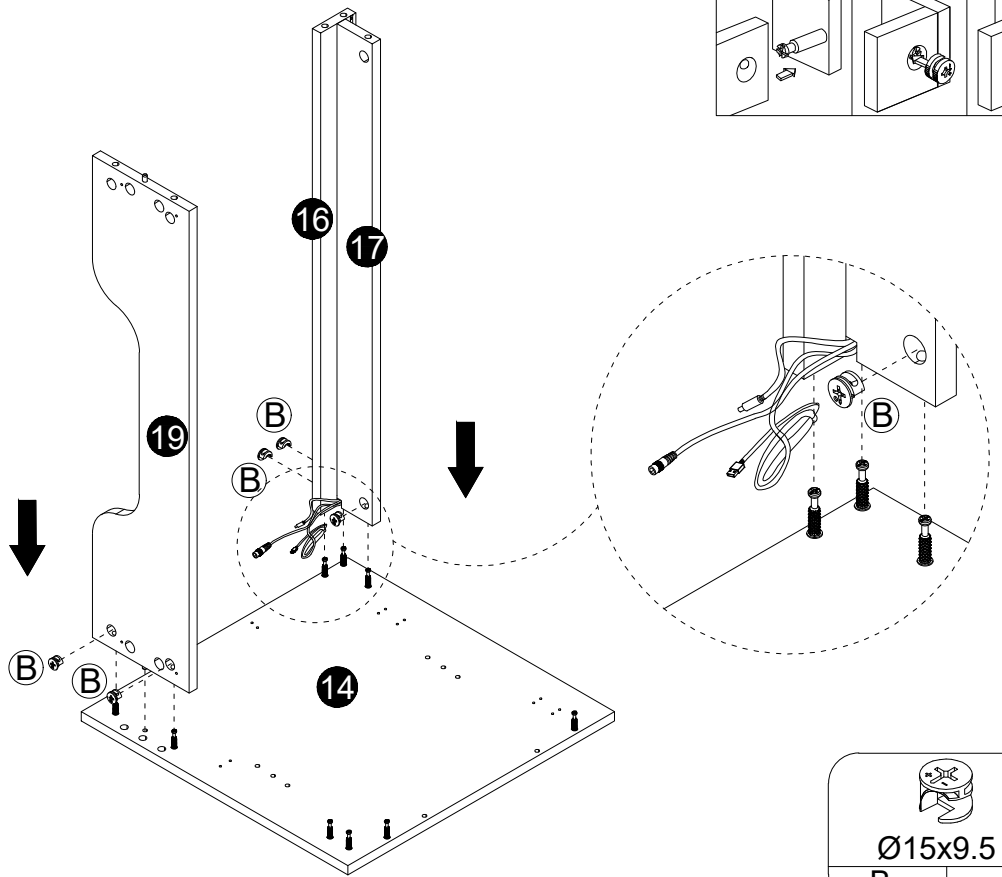


INSTALLATION INSTRUCTION

STEP 13

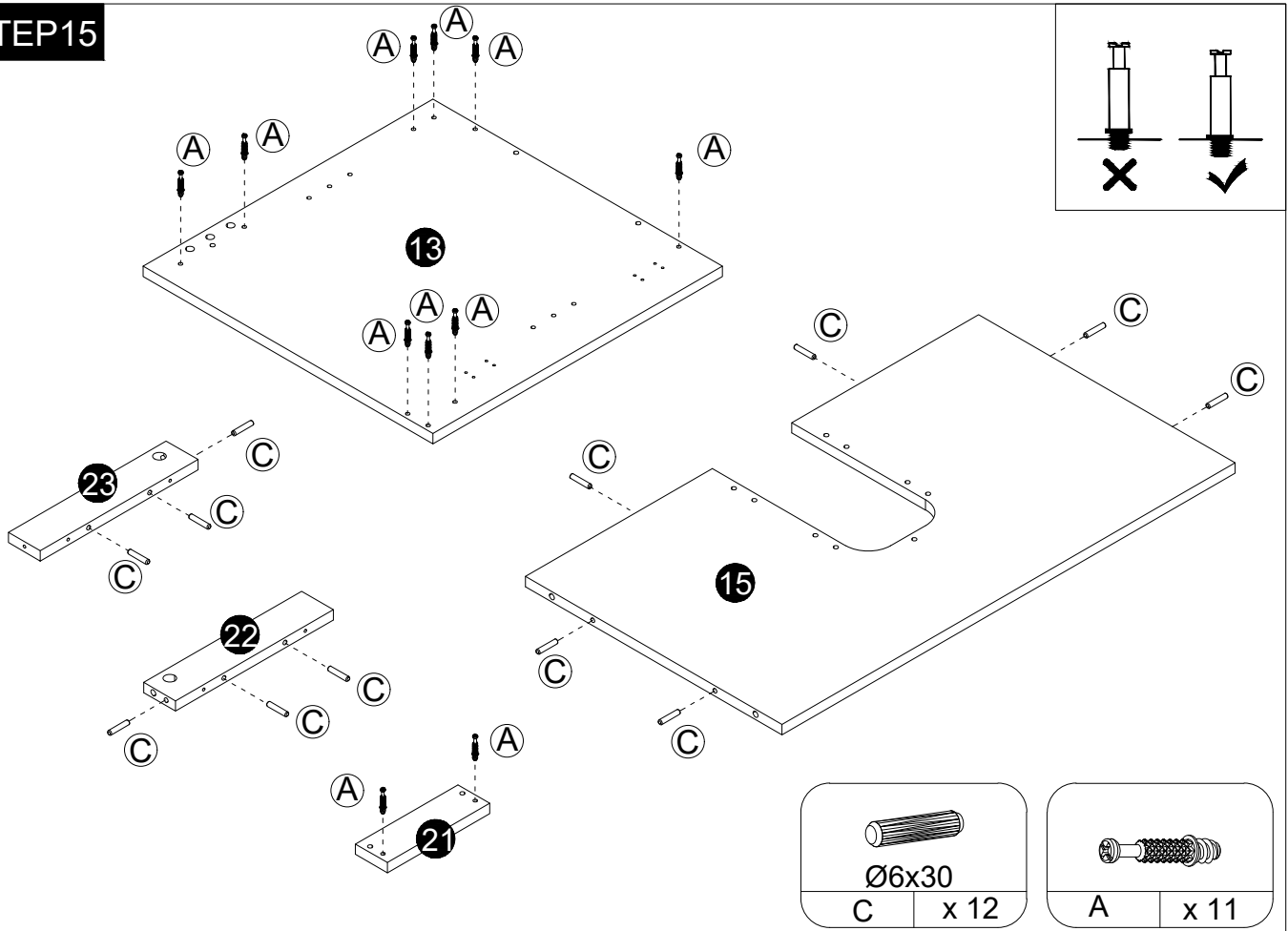



STEP 14

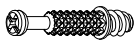


INSTALLATION INSTRUCTION

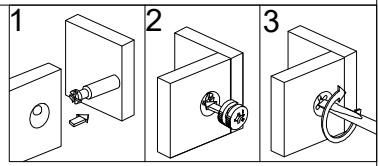
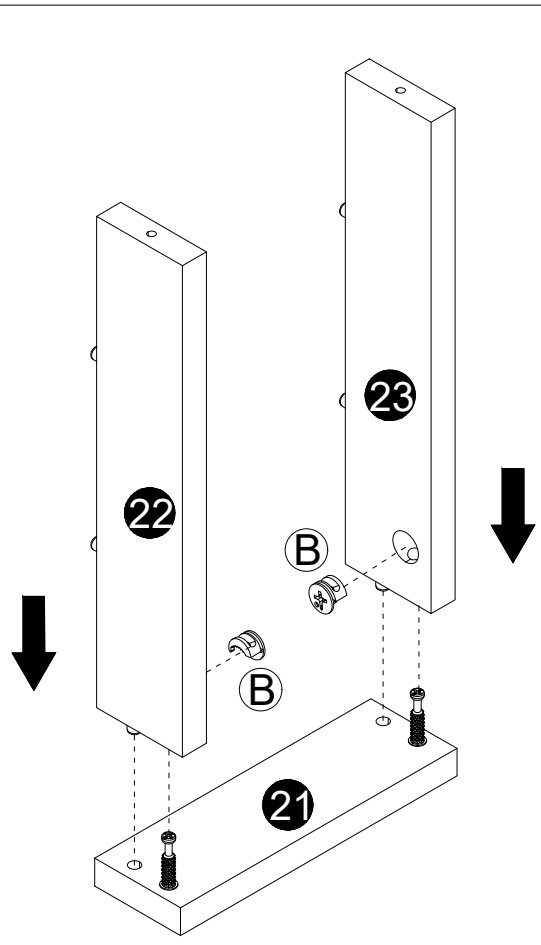
STEP 15




	
Ø6x30	
C	x 12

	
A	
A	x 11

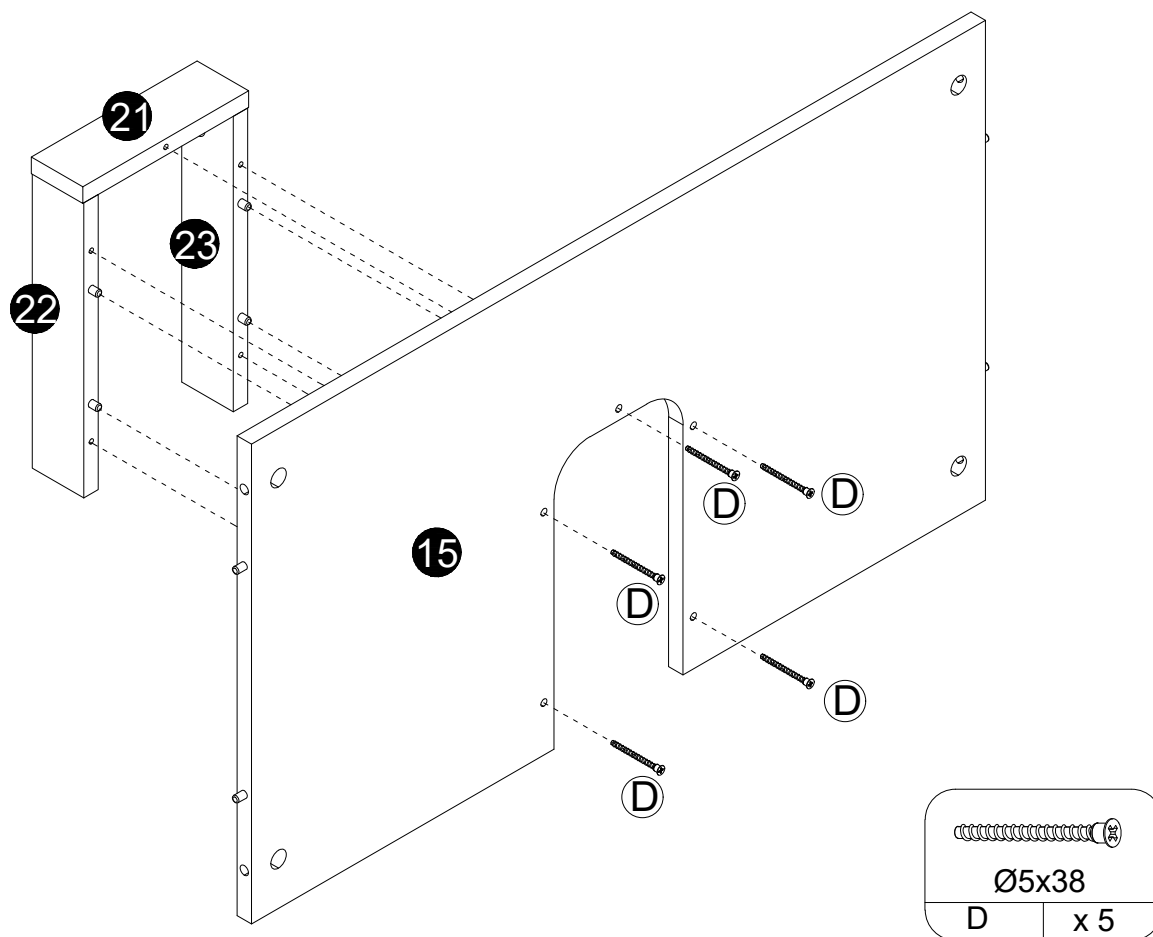
STEP 16



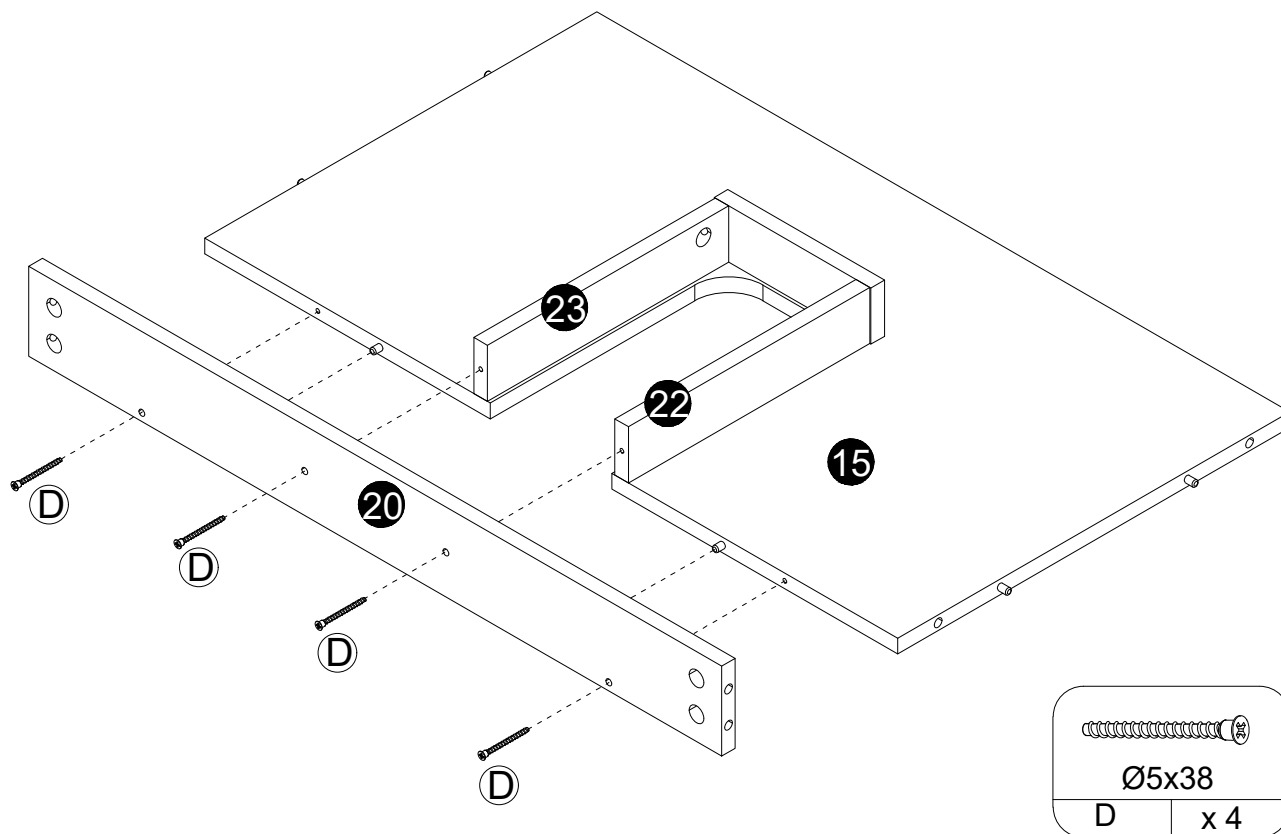
	
Ø15x9.5	
B	x 2

INSTALLATION INSTRUCTION

STEP 17

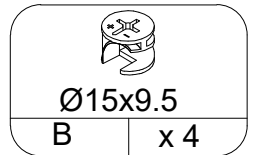
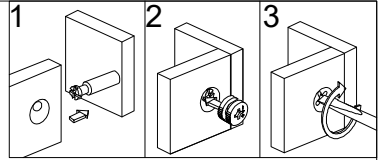
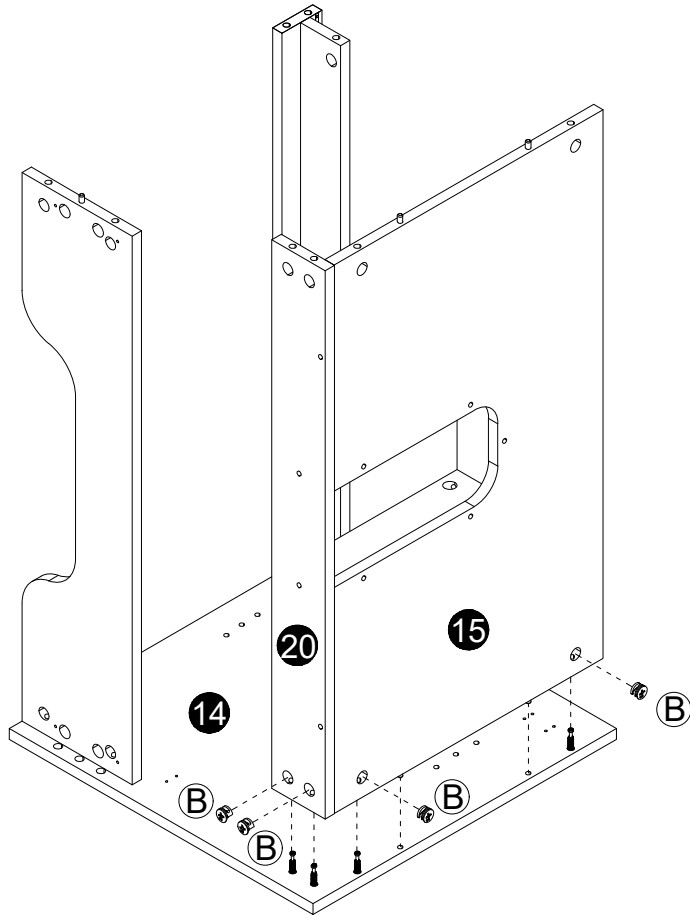


STEP 18

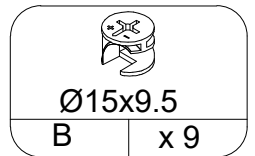
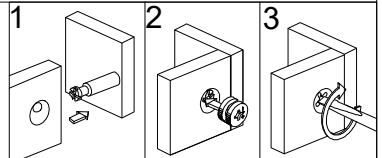
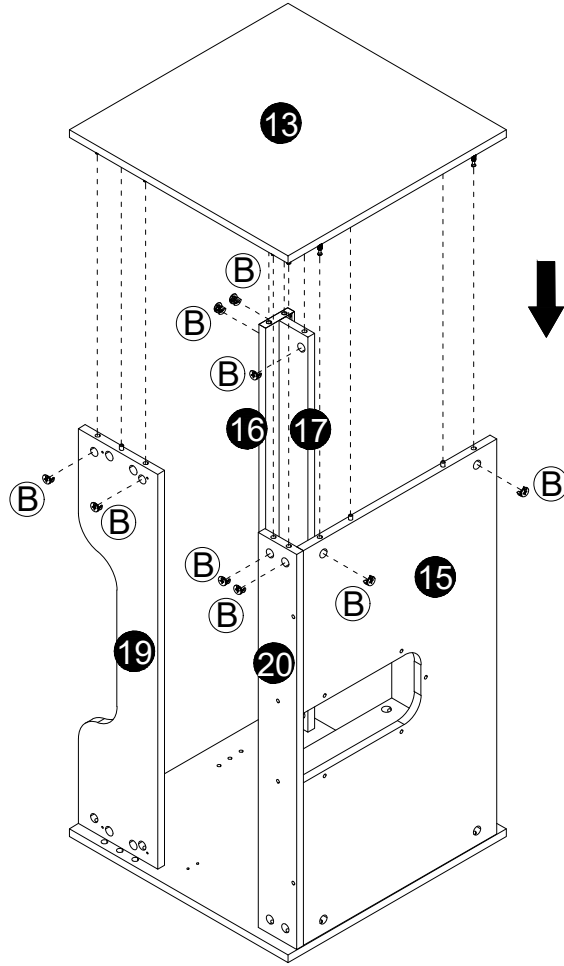


INSTALLATION INSTRUCTION

STEP 19

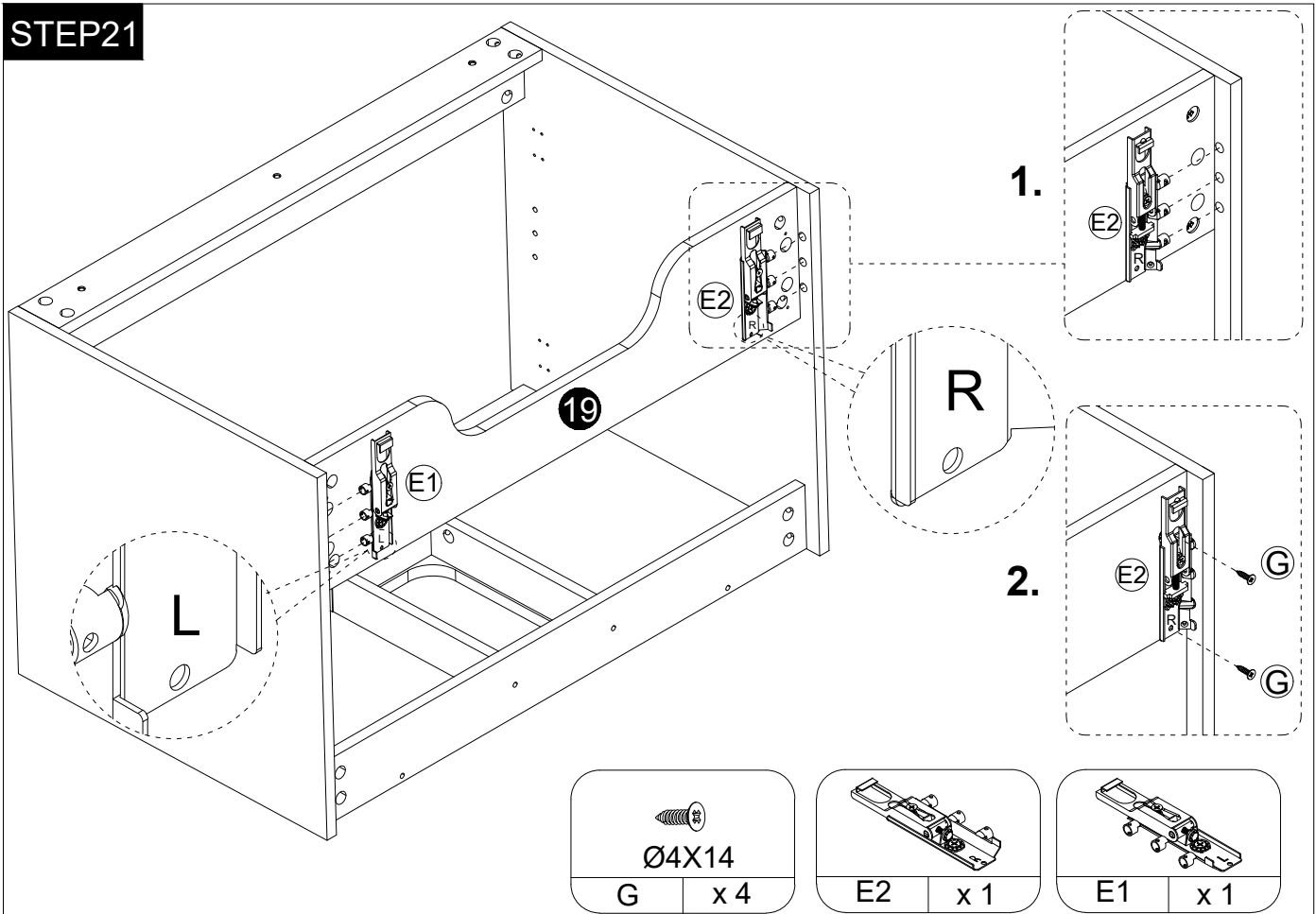


STEP 20

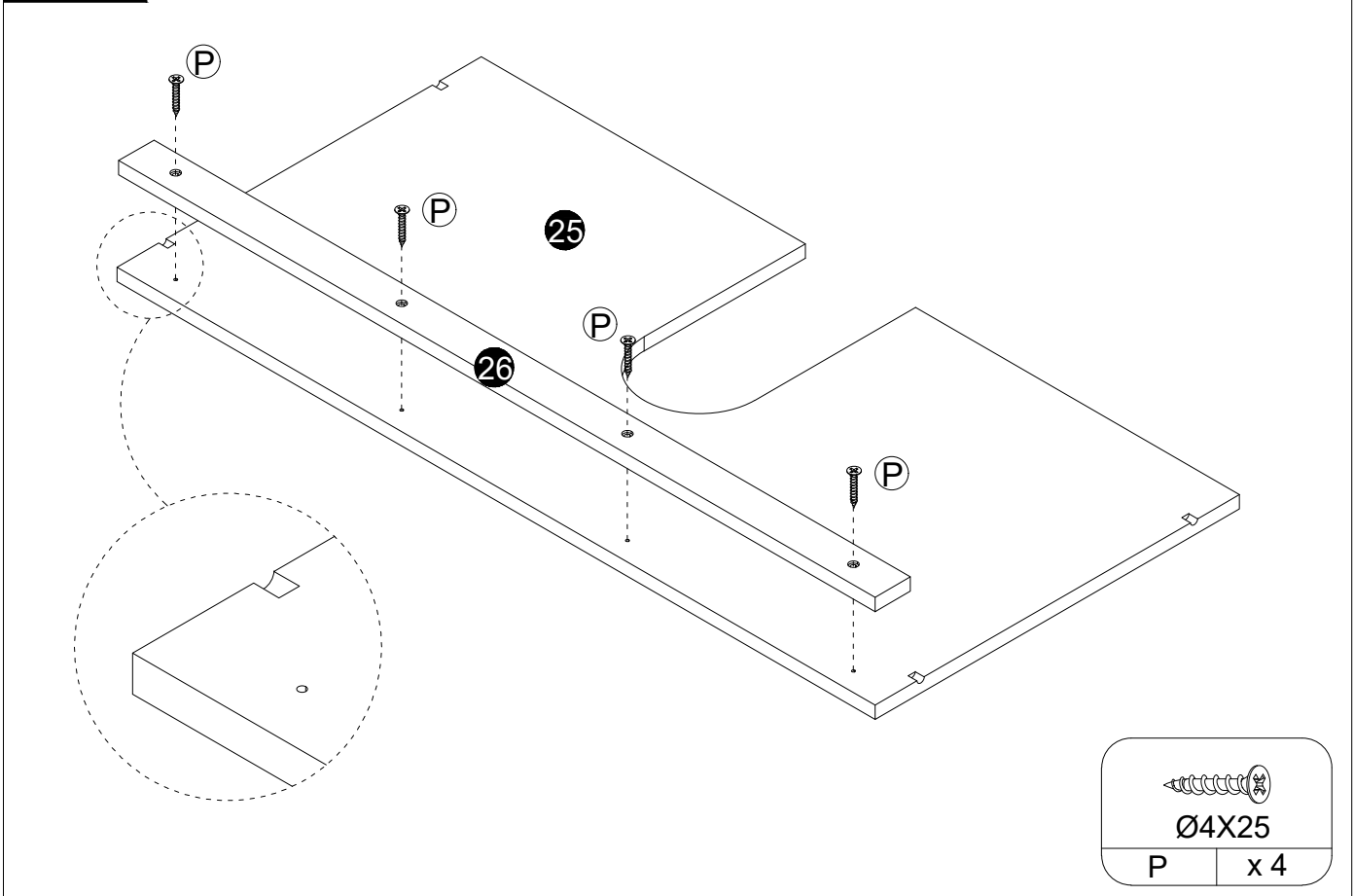


INSTALLATION INSTRUCTION

STEP21

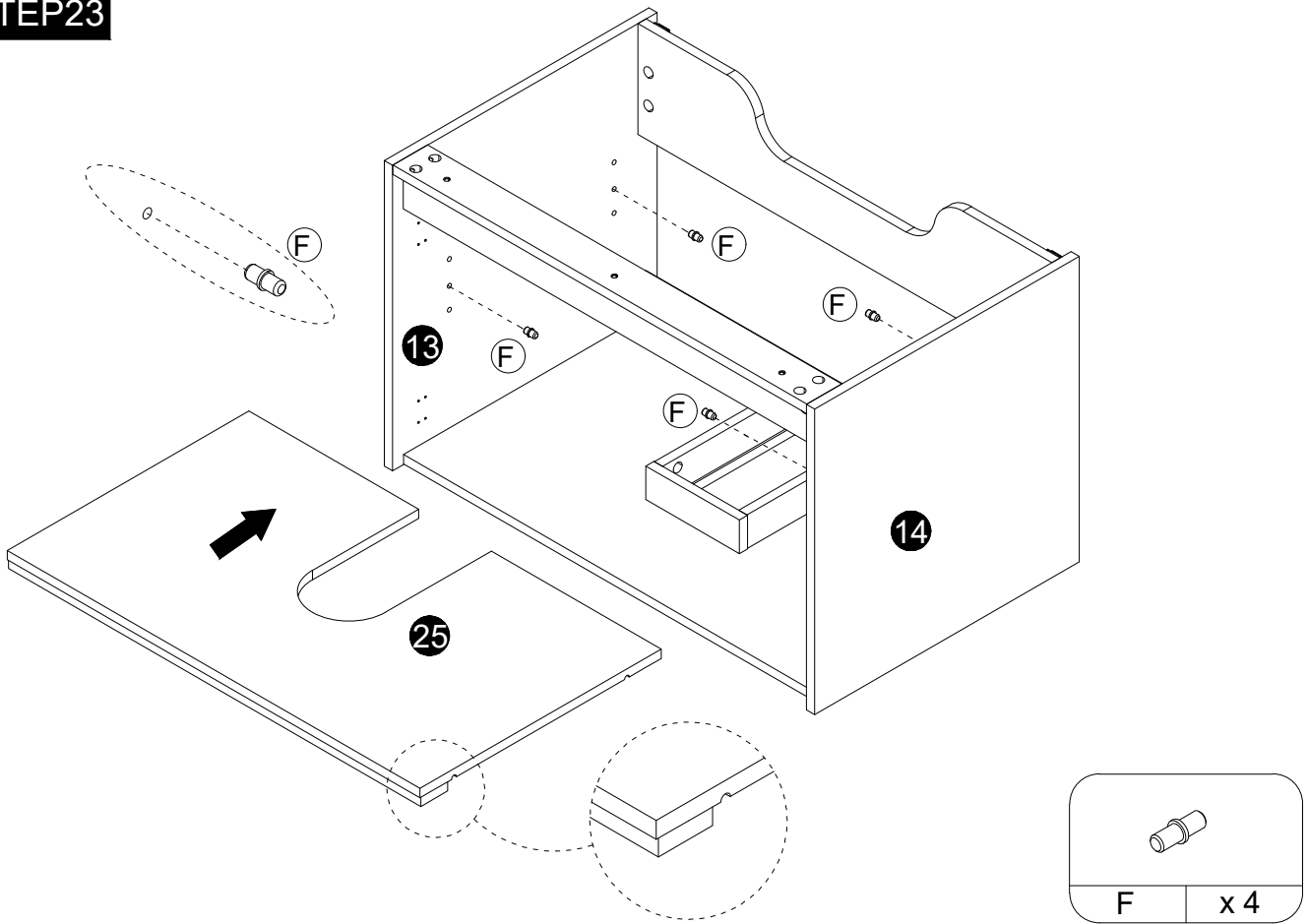


STEP22



INSTALLATION INSTRUCTION

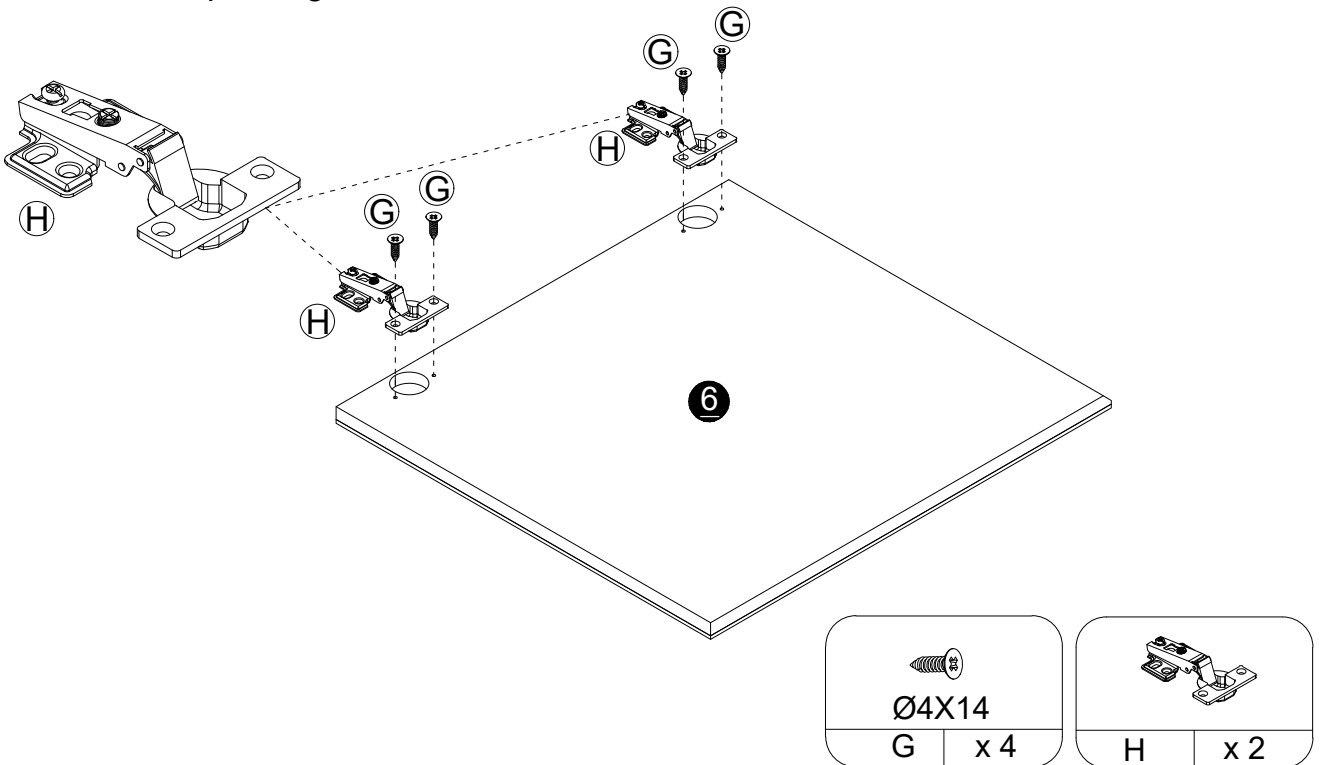
STEP23



STEP24

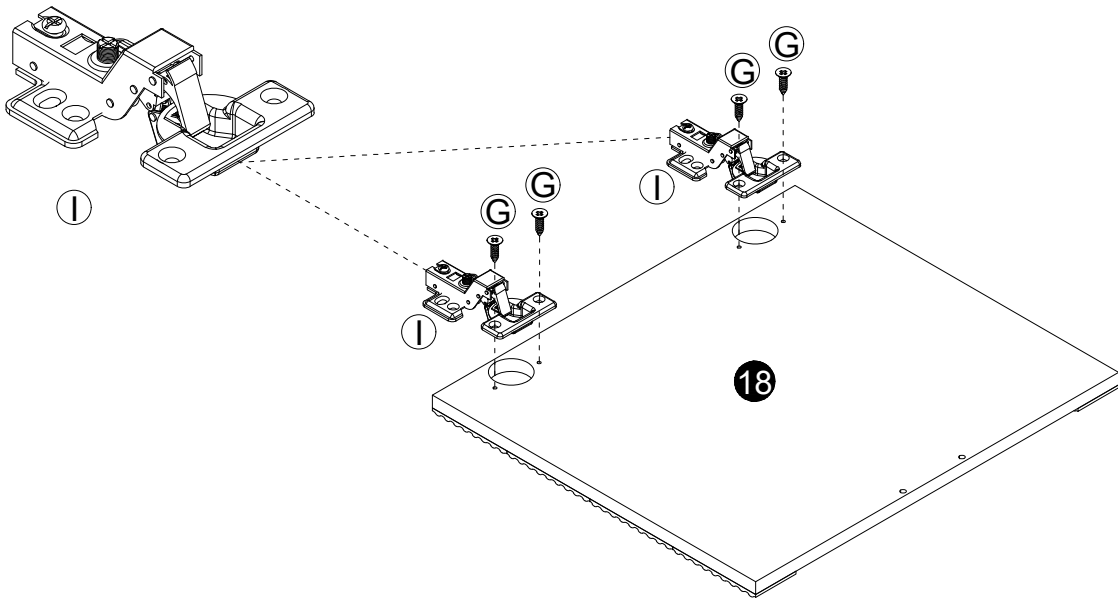
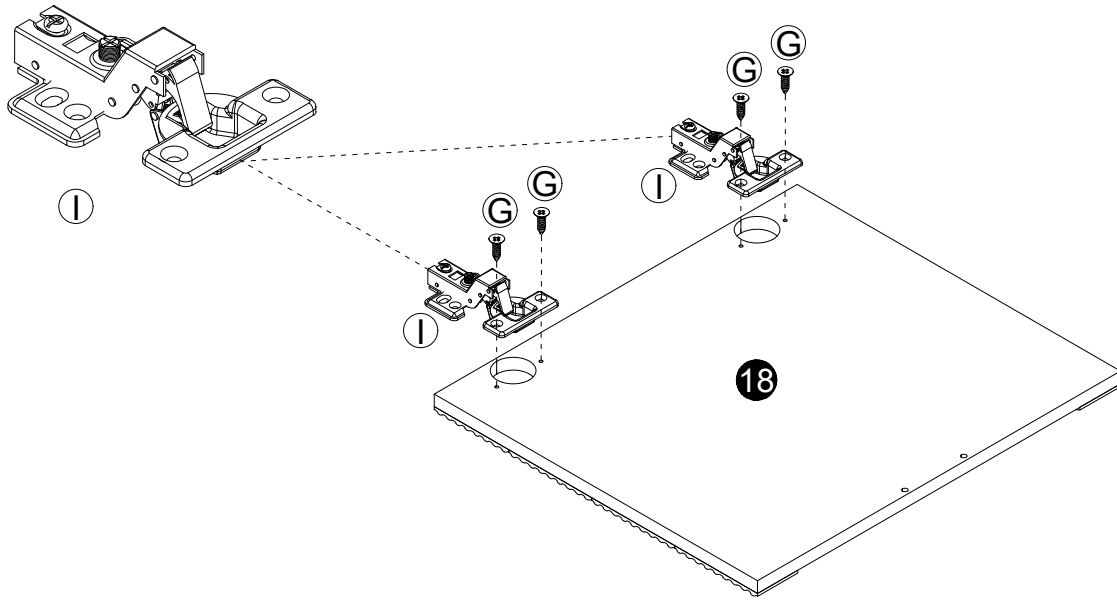
! Be careful, the door has a mirror on the bottom.


Please place it on the soft pearl cotton sheet that comes in the packing box.

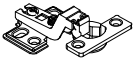


INSTALLATION INSTRUCTION

STEP 25

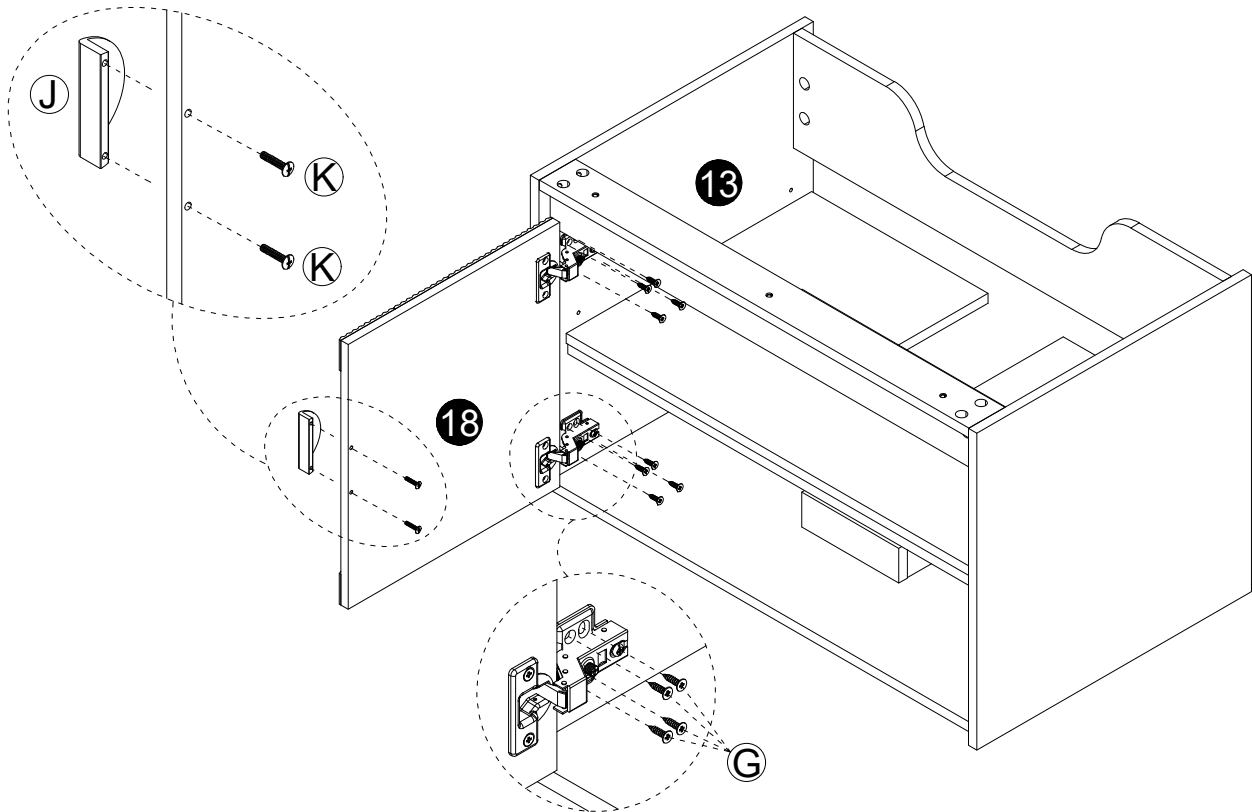



Ø4X14
G x 8

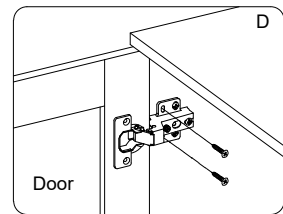
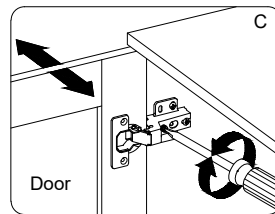
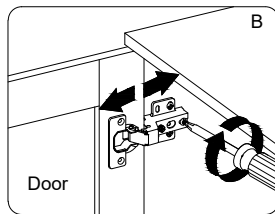
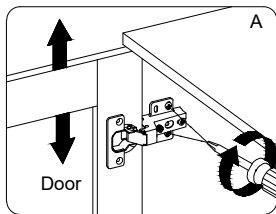

I x 4

INSTALLATION INSTRUCTION

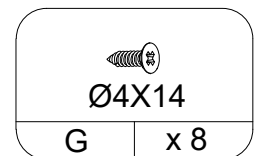
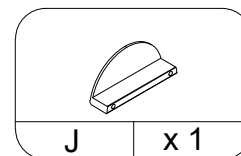
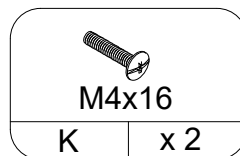
STEP 26



When the hinges are installed, you can refer to the pictures to adjust crevice of the doors till it's perfect

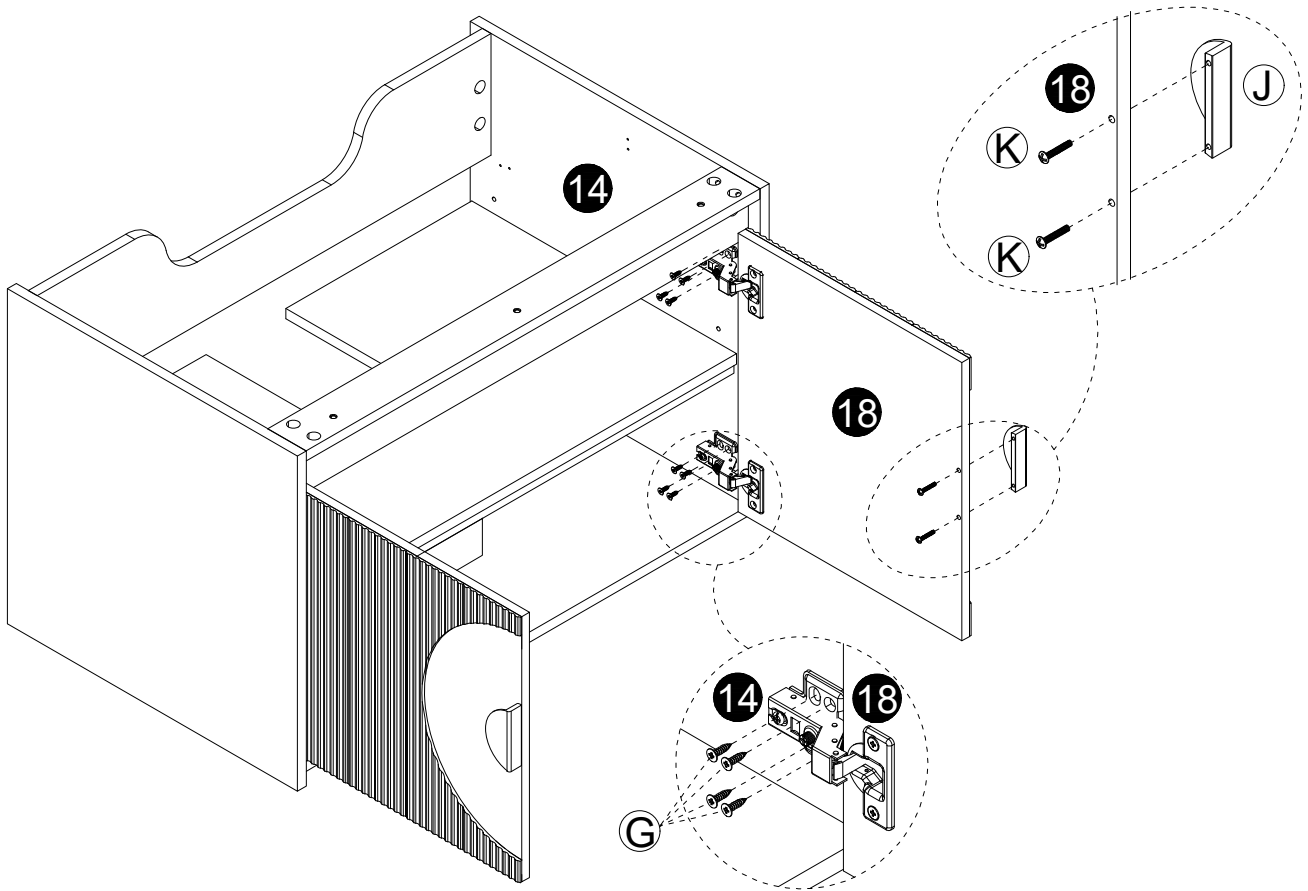


1. To adjust the doors up and down, please refer to step (A)
2. To adjust the distance between the doors and side panels, please refer to (B)
3. To adjust the gap between two doors, please refer to step (C)
4. After the adjustment is finished, please tighten the screws, refer to step (D)

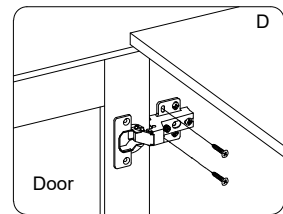
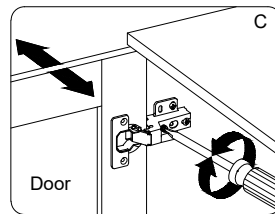
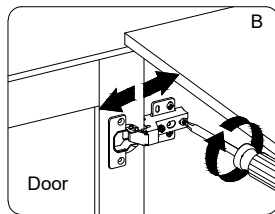
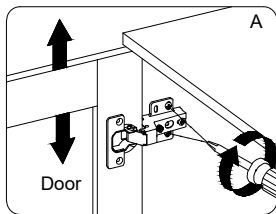


INSTALLATION INSTRUCTION

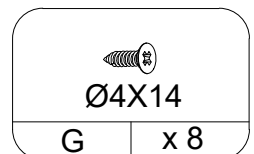
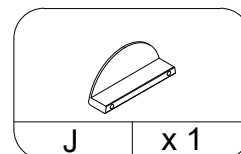
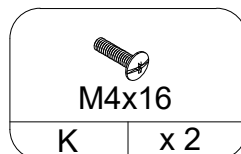
STEP 27



When the hinges are installed, you can refer to the pictures to adjust crevice of the doors till it's perfect

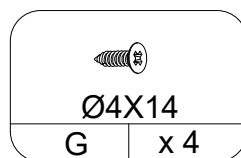
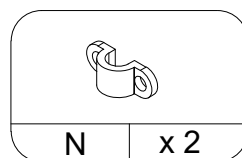
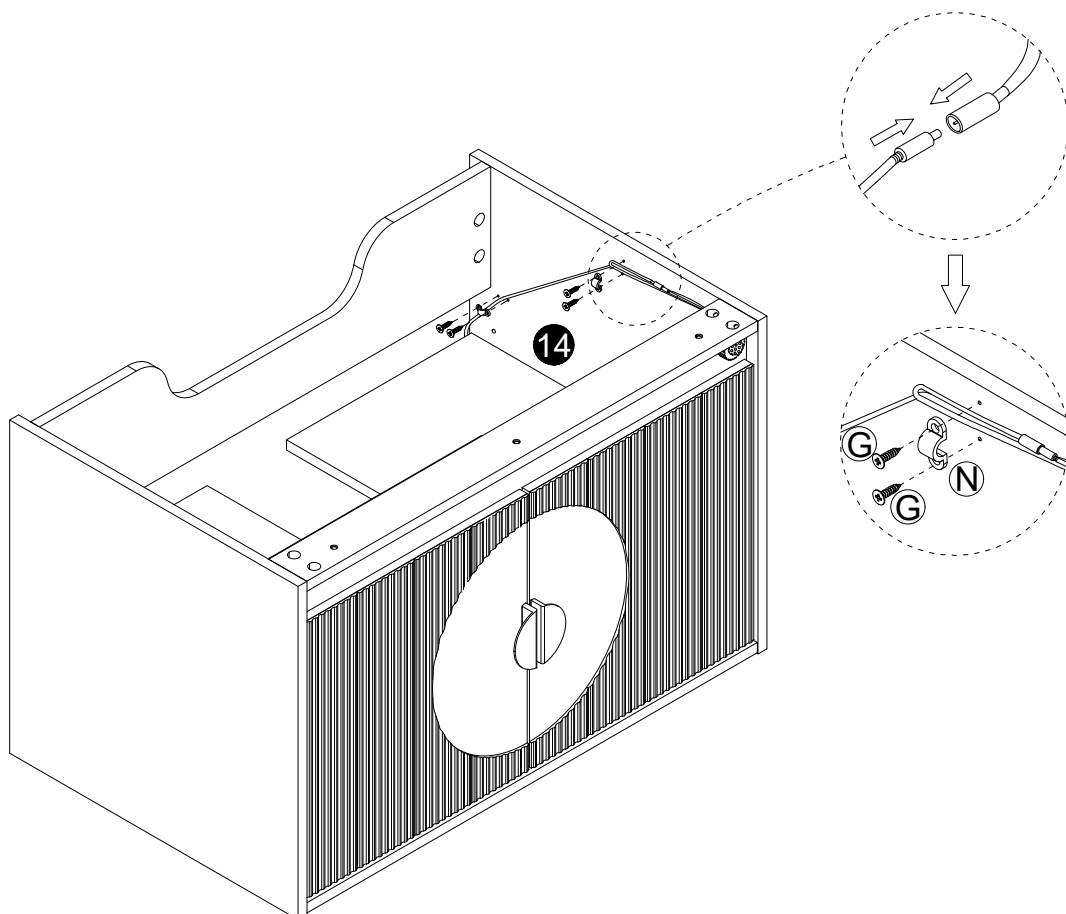


1. To adjust the doors up and down, please refer to step (A)
2. To adjust the distance between the doors and side panels, please refer to (B)
3. To adjust the gap between two doors, please refer to step (C)
4. After the adjustment is finished, please tighten the screws, refer to step (D)



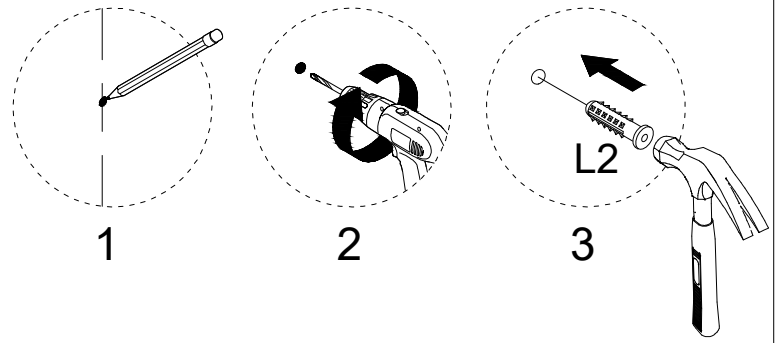
INSTALLATION INSTRUCTION

STEP 28

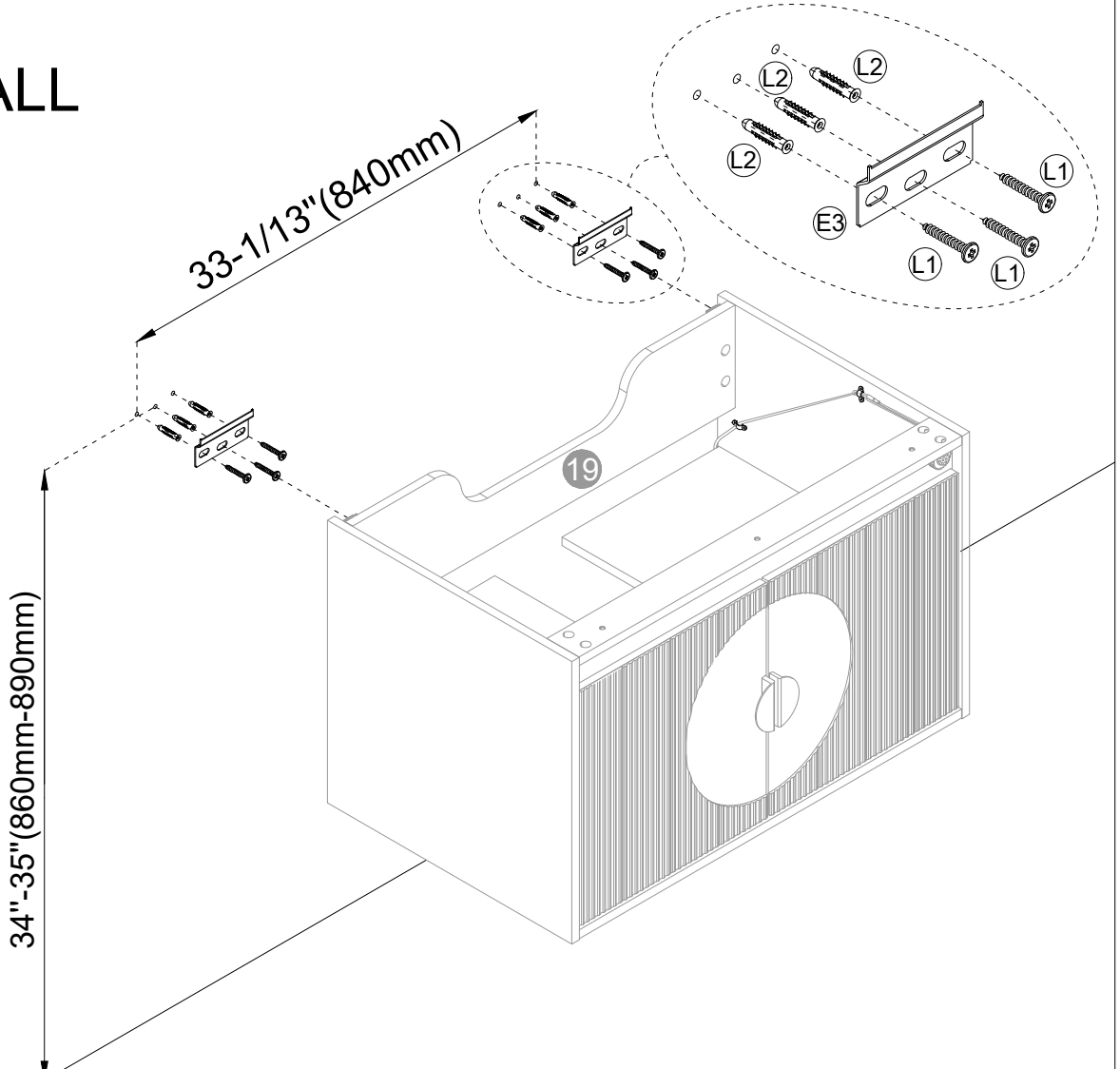




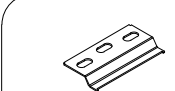
INSTALLATION INSTRUCTION

STEP 29



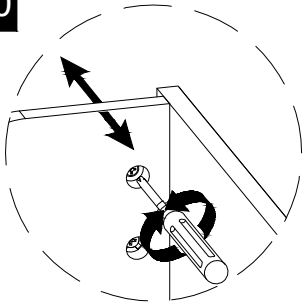
WALL



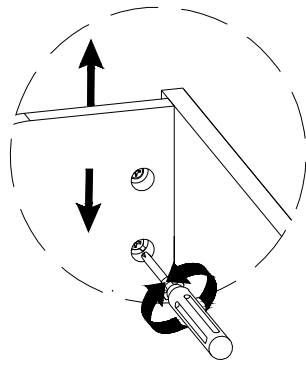
 L1x6	 L2x6	 E3	x 2
L			

INSTALLATION INSTRUCTION

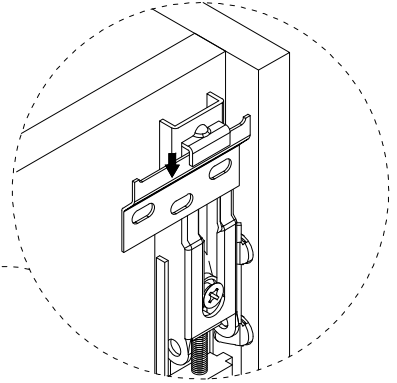
STEP 30



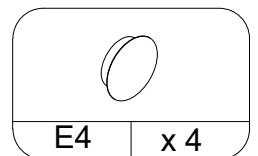
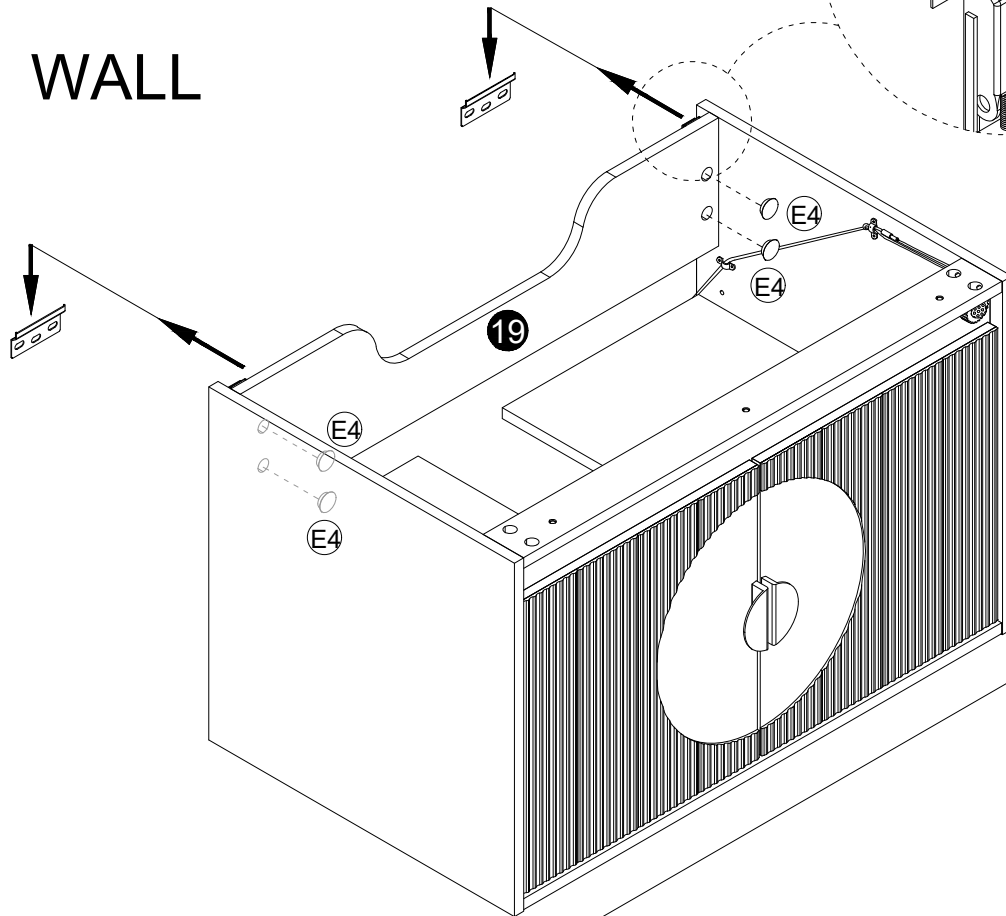
To adjust in or out



To adjust up or down



WALL

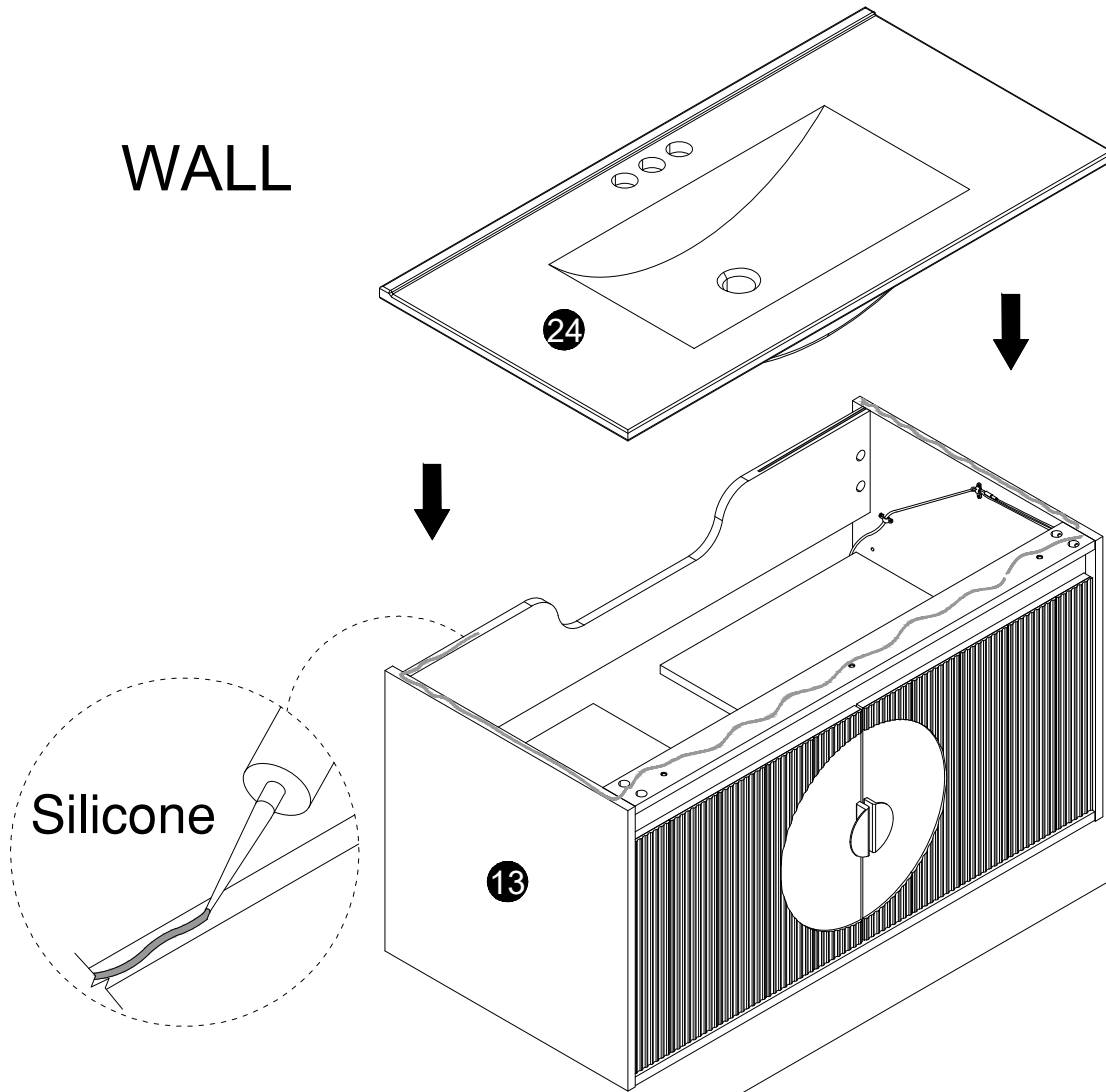


INSTALLATION INSTRUCTION

STEP 31

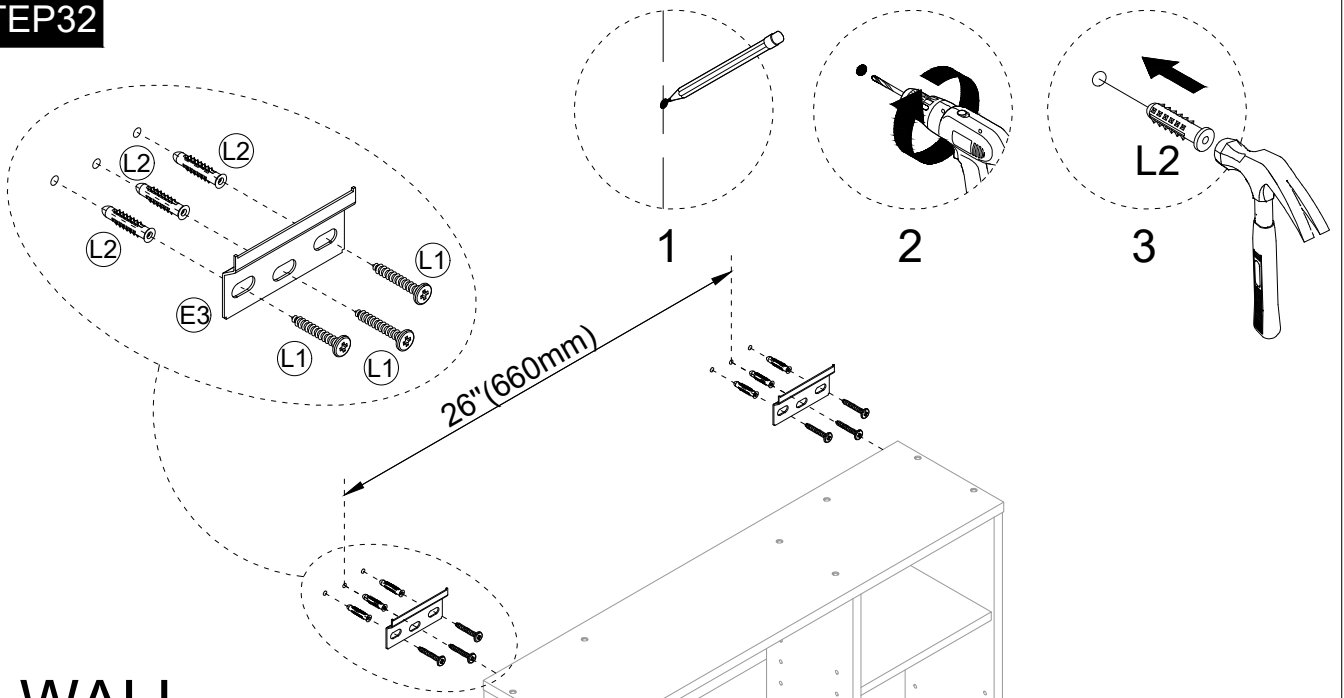
Note: At this stage it may be easier to install the faucet and drain kit (not included) to top (24) per the manufacturer's instructions.
* Apply stain free silicone or latex silicone caulk (not included) to the top edge of vanity. With the help of another adult, gently lower top (24) onto the vanity. Wipe away any excess caulk with a soft cloth, and wait approximately 24 hours for it to dry.

WALL



INSTALLATION INSTRUCTION

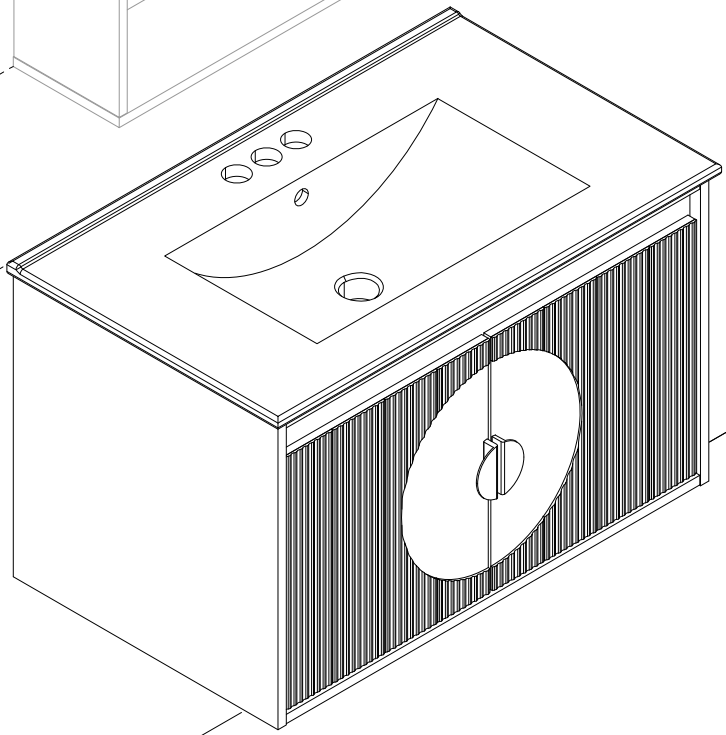
STEP 32



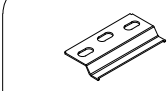


WALL

13-4/5" (350mm)

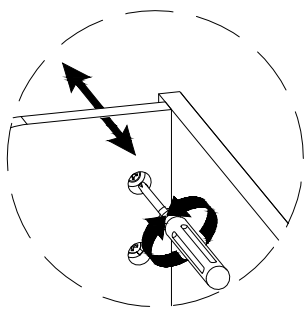
34" - 35" (860-890mm)



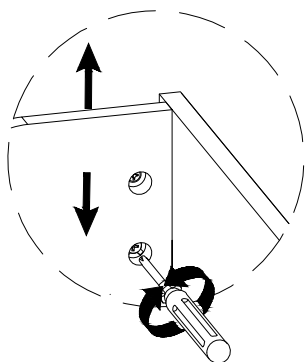
		
L		E3
		x 2

INSTALLATION INSTRUCTION

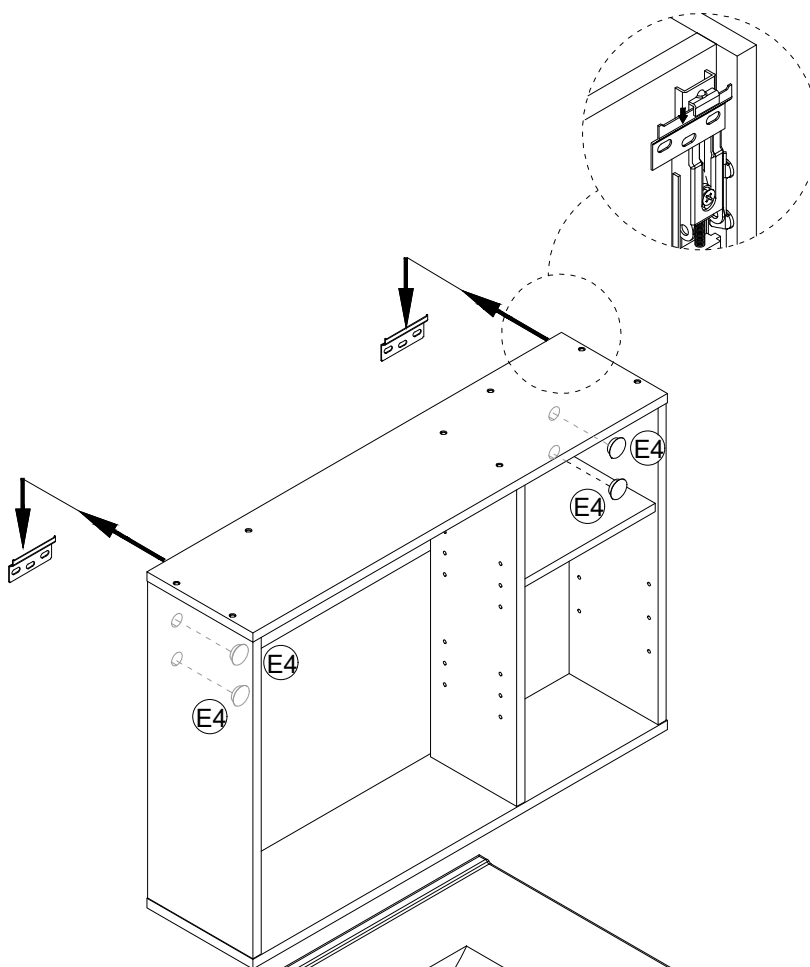
STEP 33



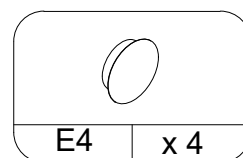
To adjust in or out



To adjust up or down



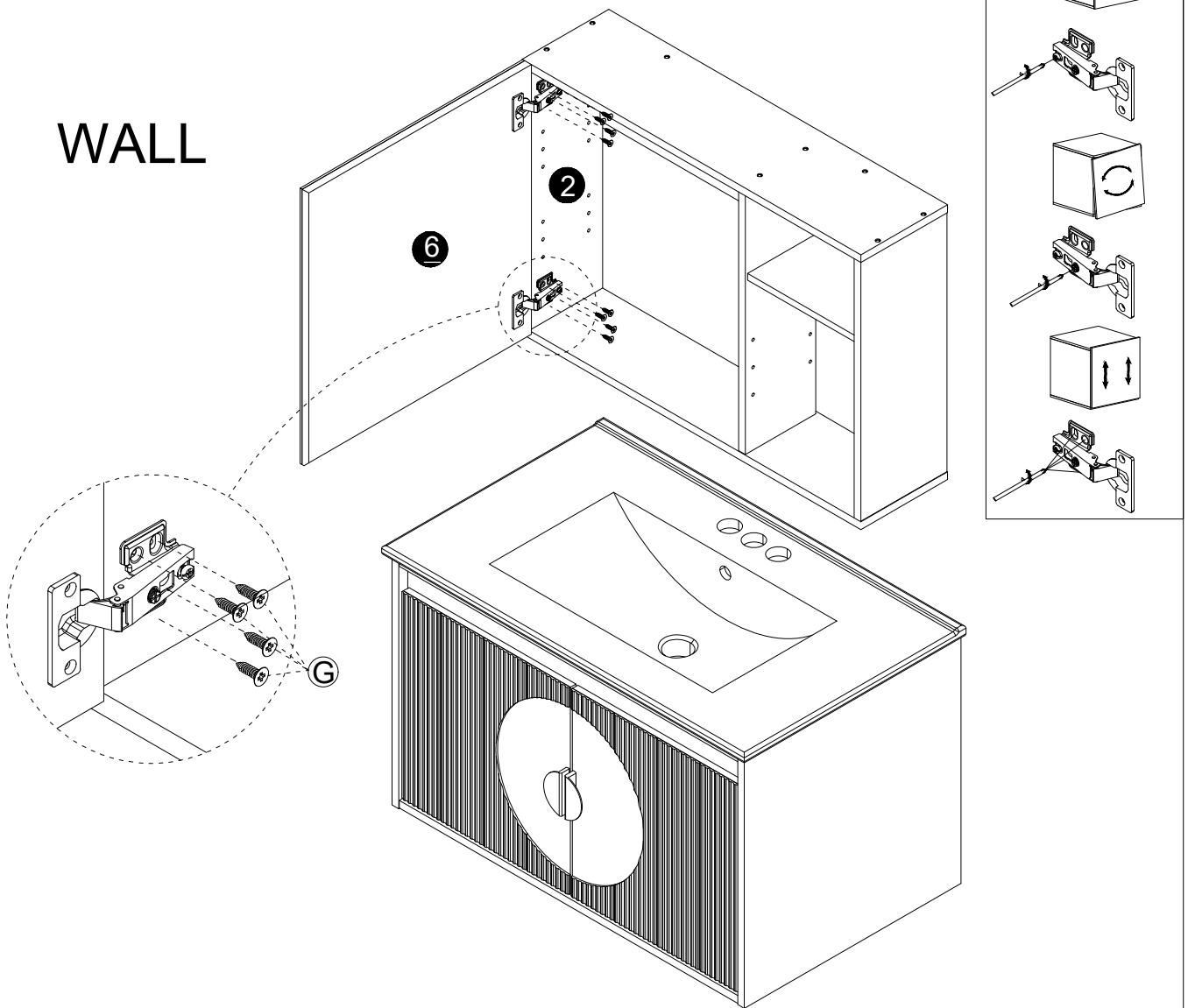
WALL



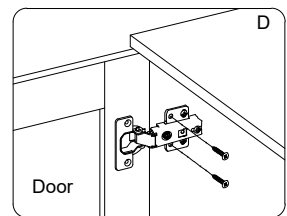
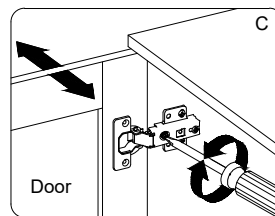
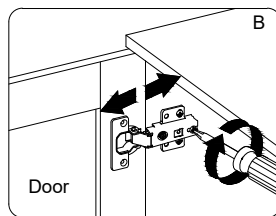
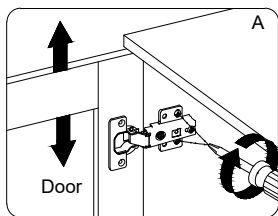
INSTALLATION INSTRUCTION

STEP 34

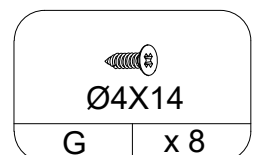
WALL



When the hinges are installed, you can refer to the pictures to adjust crevice of the doors till it's perfect

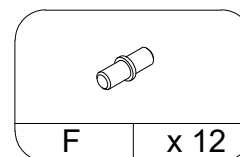
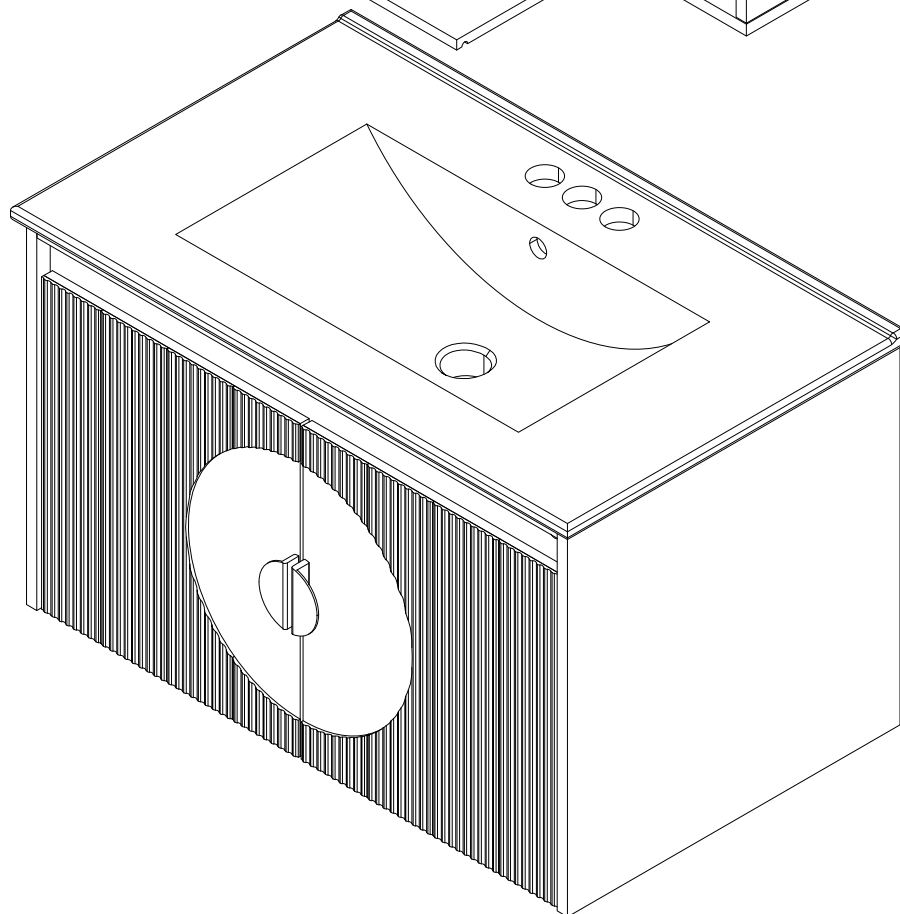
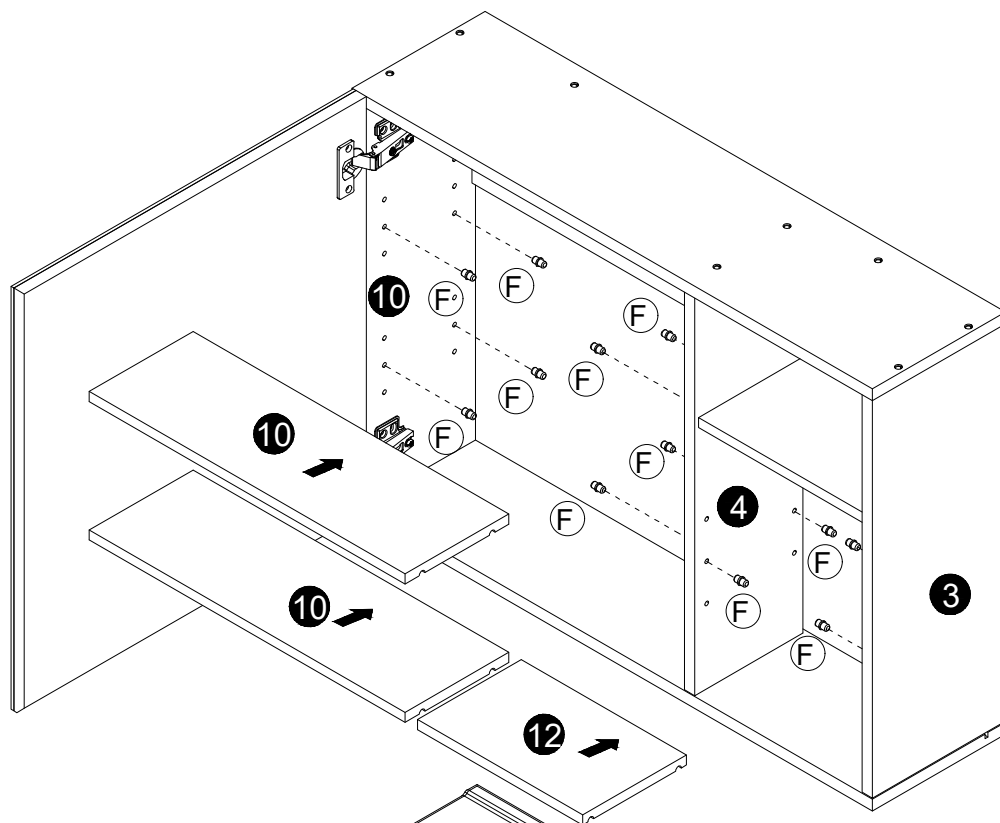


1. To adjust the doors up and down, please refer to step (A)
2. To adjust the distance between the doors and side panels, please refer to (B)
3. To adjust the gap between two doors, please refer to step (C)
4. After the adjustment is finished, please tighten the screws, refer to step (D)



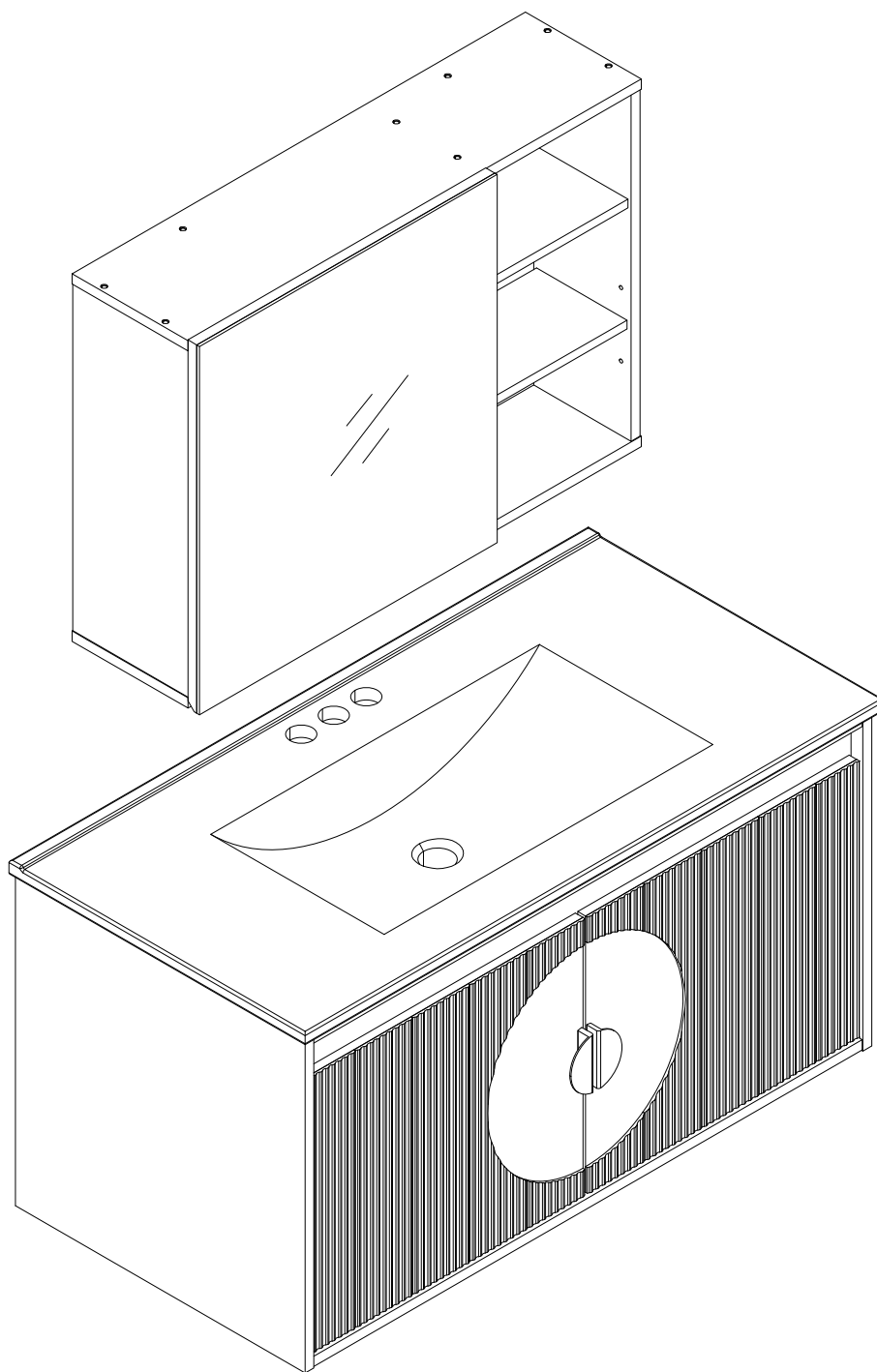
INSTALLATION INSTRUCTION

STEP 35



INSTALLATION INSTRUCTION

STEP 36



Made in Vietnam

