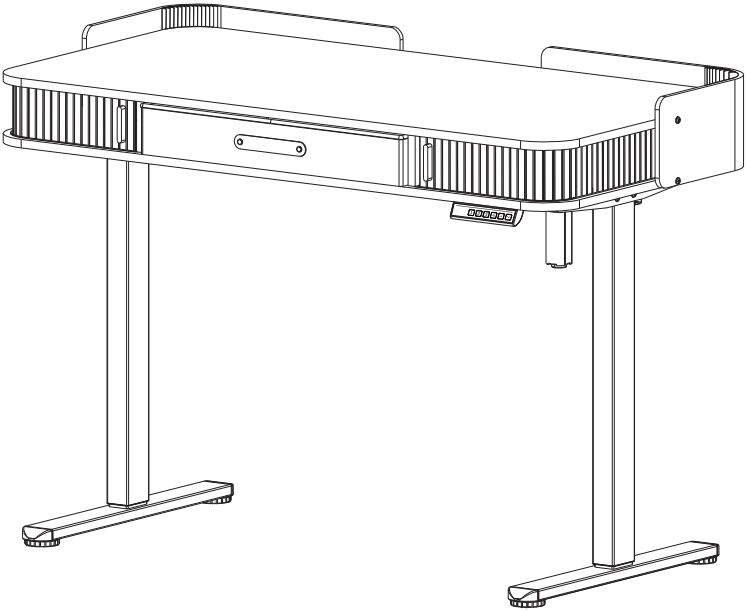


Electric Standing Desk Instruction Manual

Rev00



Thank you for choosing this product! We strive to provide you with the best quality products and service in the industry. Should you have any issues, please don't hesitate to contact us.

Specifications



Height Adjustment Range
30.7–46.5" (78–118cm)



Power Input
100V–240V



Max Speed
20mm/s



Operating Noise
<55dB

Tools Needed (not included)



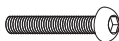
Drill

OR



Phillips Screwdriver

Supplied Parts and Hardware for Step 1



Bolt
M6 x 35mm

A x 8



Bolt
M6 x 8mm

B x 8



Small Allen Wrench
5/64" (2mm)

D x 1



Large Allen Wrench
3/16" (5mm)

E x 1



Rubber Pad

G x 8



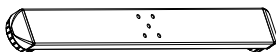
Leg with Motor

01 x 1



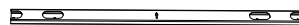
Leg

02 x 1



Leg Base

03 x 2



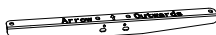
Crossbar

04 x 1



Transmission Rod

05 x 1



Side Plate

06 x 2

Supplied Parts and Hardware for Step 2



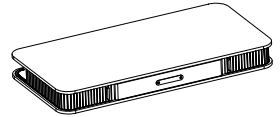
Screw
M5 x 15mm

C x 10



Controller

07 x 1



Desktop

08 x 1

Supplied Parts and Hardware for Step 3



Cable Clip

F x 2



Actual part
may vary.

AC Adapter

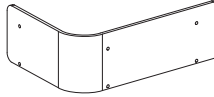
09 x 1

Supplied Parts and Hardware for Step 4



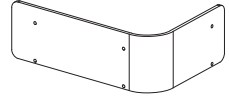
Screw
M5 x 15mm

C x 12



Backstop

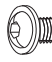
10 x 1

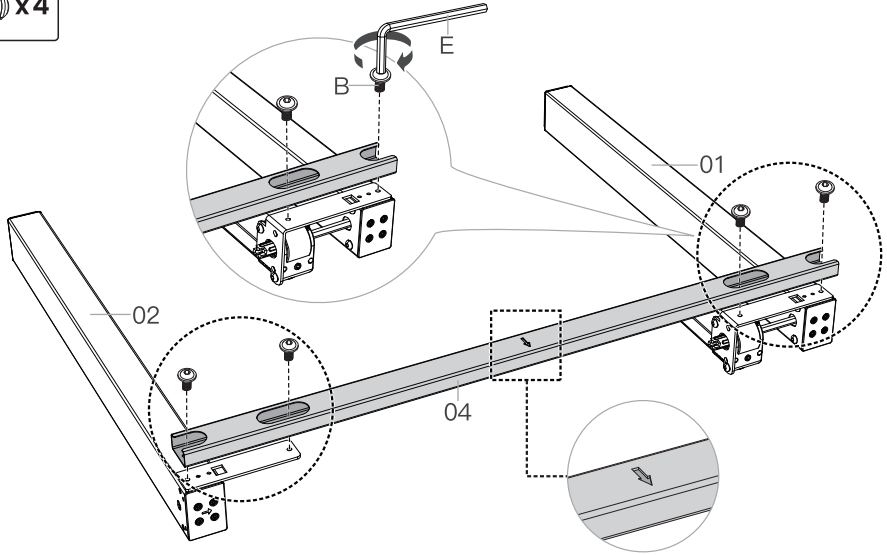


Backstop

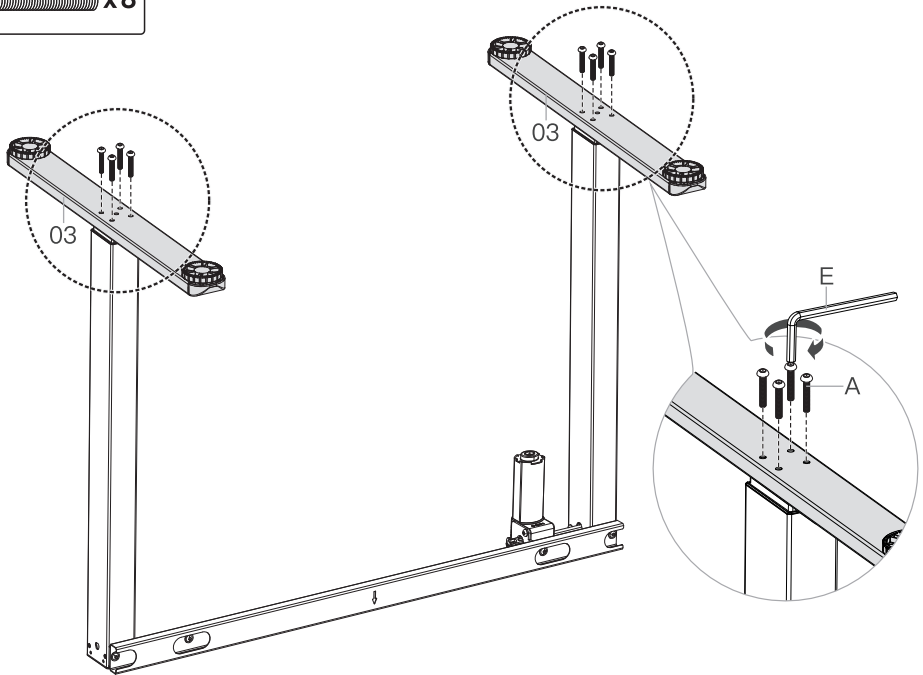
11 x 1

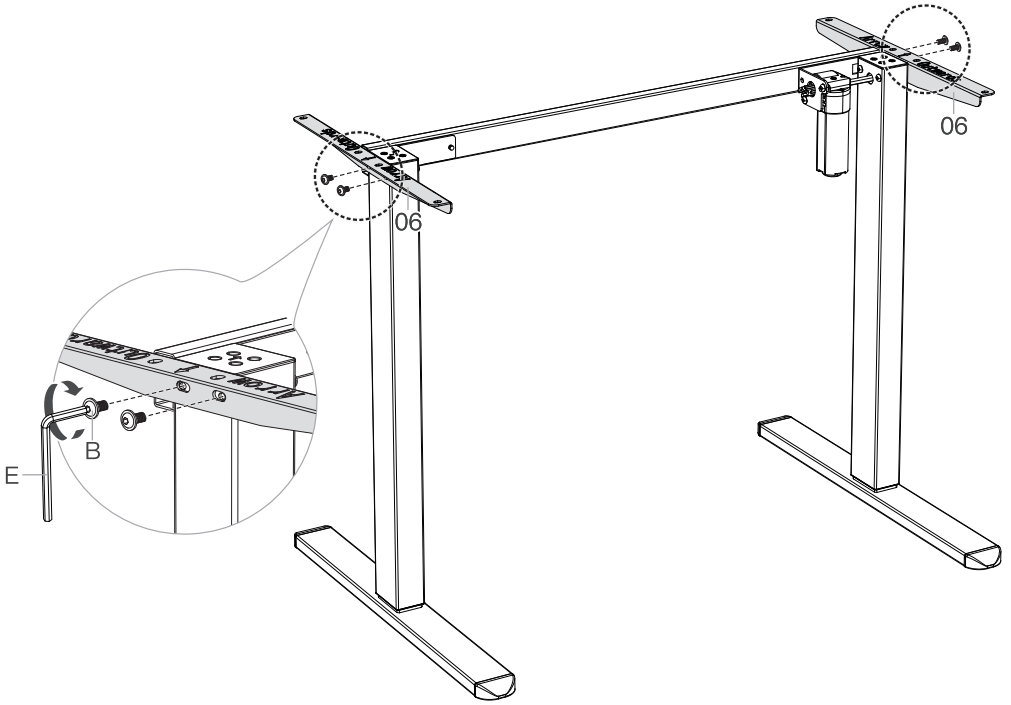
Step 1 Assembling the Frame

 x4

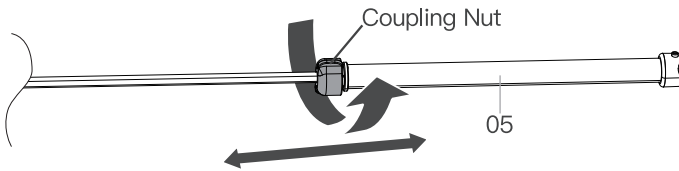


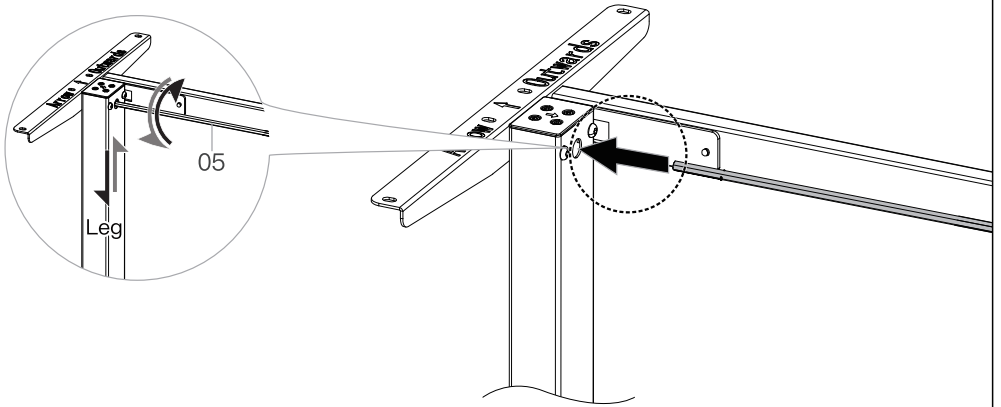
 x8





Loosen the coupling nut.

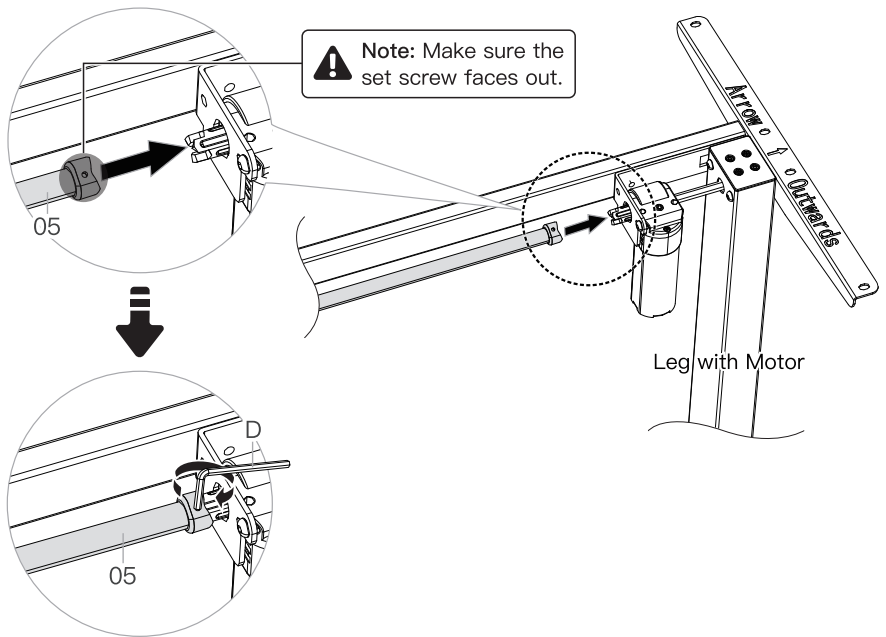




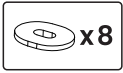
Adjust uneven desk legs if needed:

Measure the heights of the two desk legs to see if they are set at the same level. If not, turn the rod to adjust the leg until it's level with the leg with motor. Turn the rod clockwise to lower the leg or counter-clockwise to raise it.

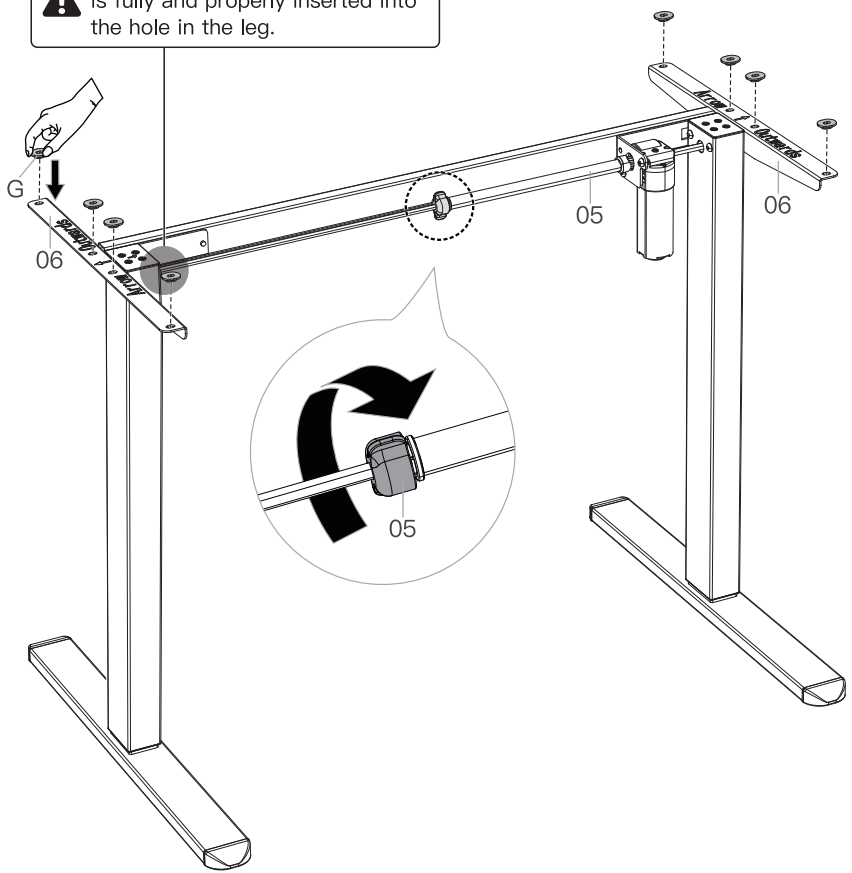
Smoothly connect the other end of the rod to the end of the motor drive shaft on the leg with motor.



Tighten the coupling nut to fine-tune transmission rod fit, then attach the rubber pads.




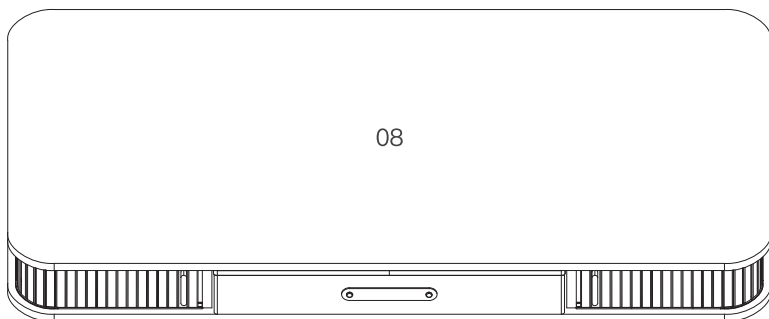
Note: Ensure the transmission rod is fully and properly inserted into the hole in the leg.



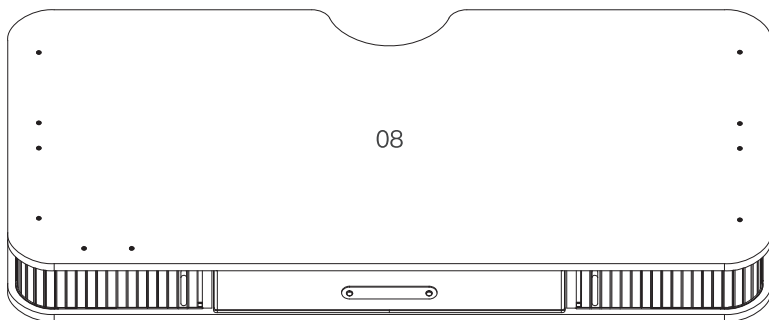
Step 2 Attaching the Desktop and Controller



Tip:  indicate pre-drilled hole locations.



Top



Bottom

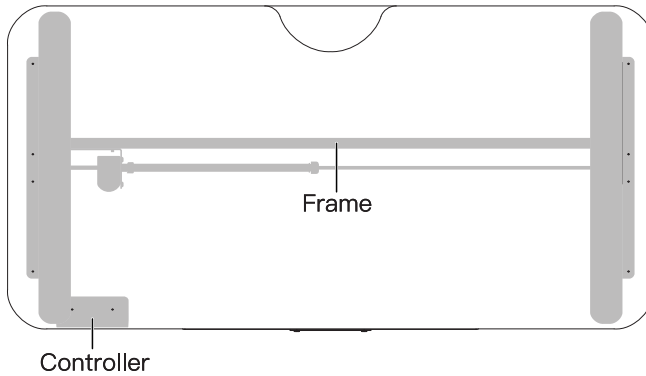
IMPORTANT:



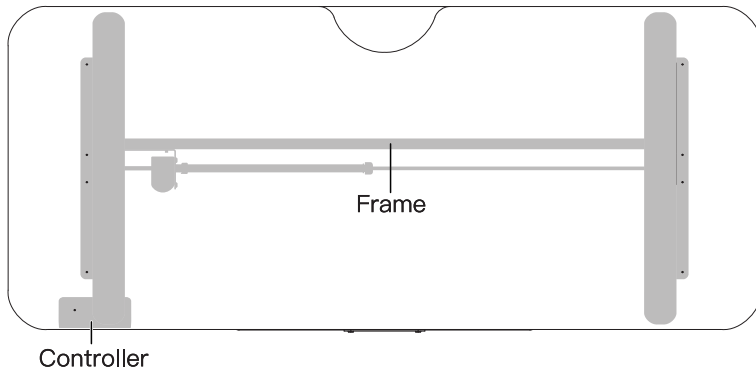
Some pre-drilled hole locations may vary between desks of different sizes. The illustrations demonstrate assembly steps using one desk size, but should remain similar for each installation process.

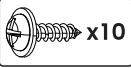
If you have any issues, please contact us.


For 48" long desk

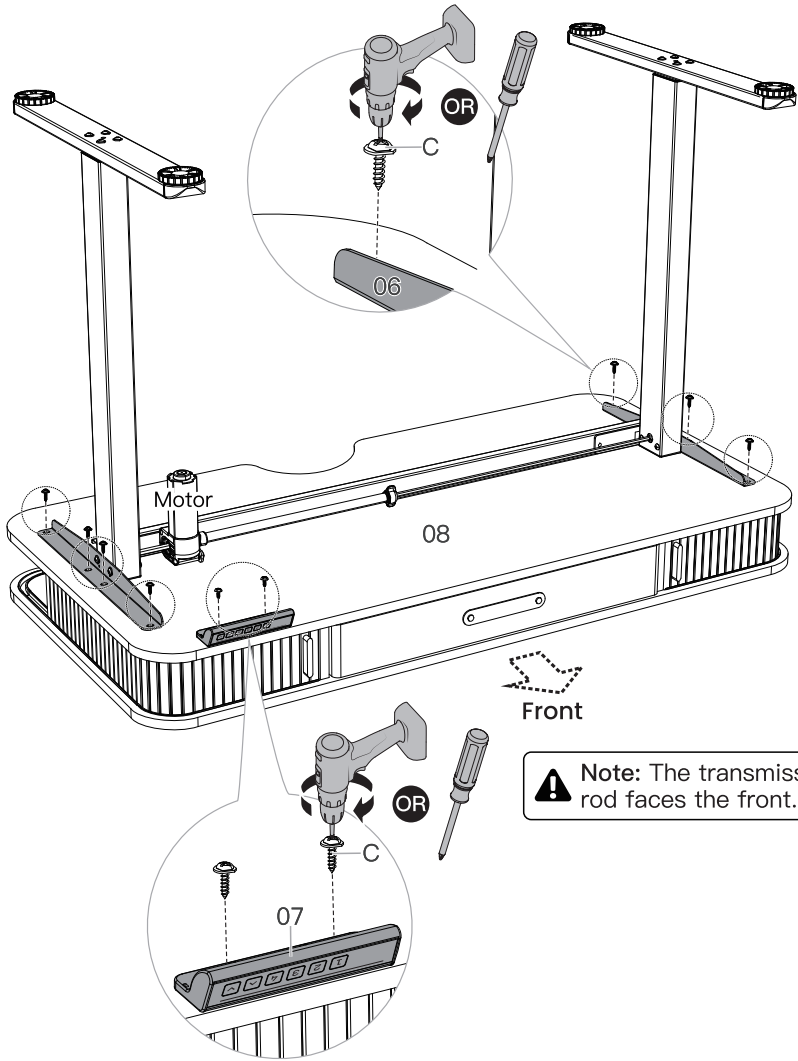


For 55" long desk





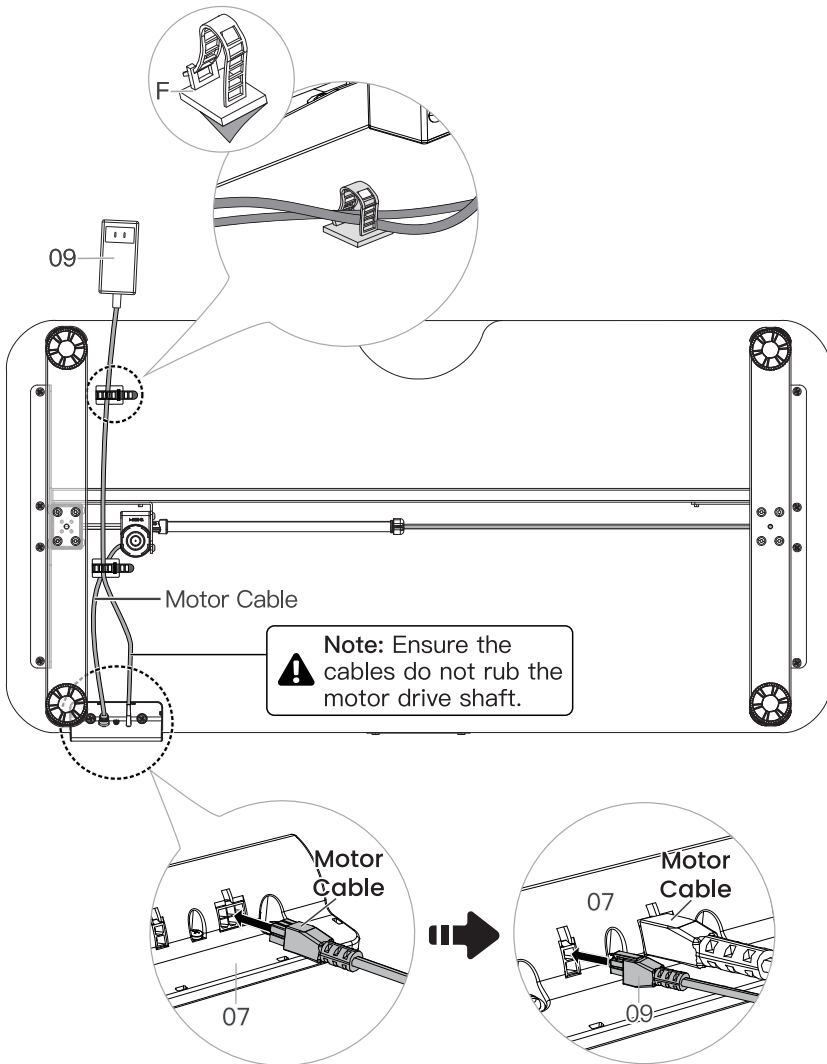
Drill with suitable torque and speed **OR** 
not included



Step 3 Connecting the Cables



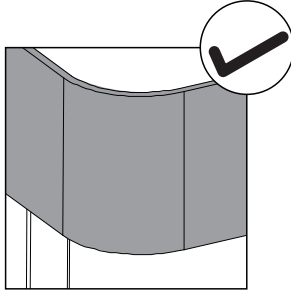
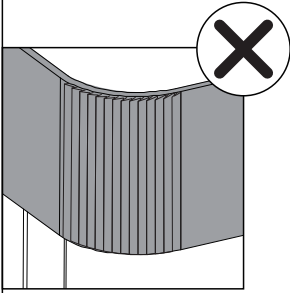
Tip: An example of a cable clip layout is indicated below. However, the cable clips can be arranged according to your needs.



Note: When flipping the desk over, do not allow the controller to collide with the ground, which could cause damage.

Step 4 Attaching the Backstops

Attach the backstops on the back of the desk as demonstrated below.



Drill with suitable torque and speed



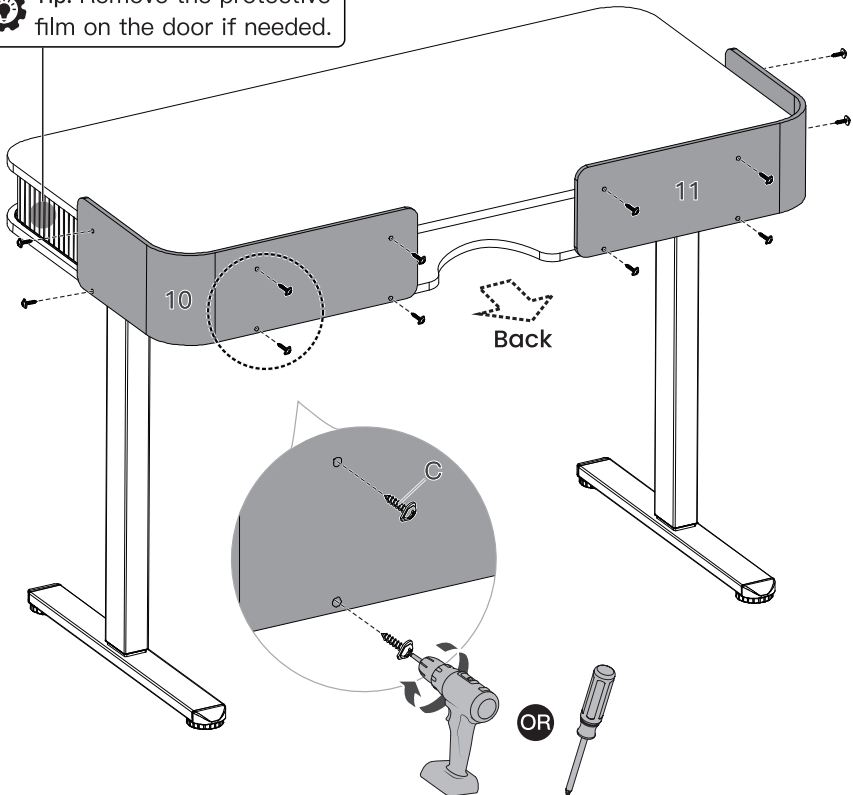
OR

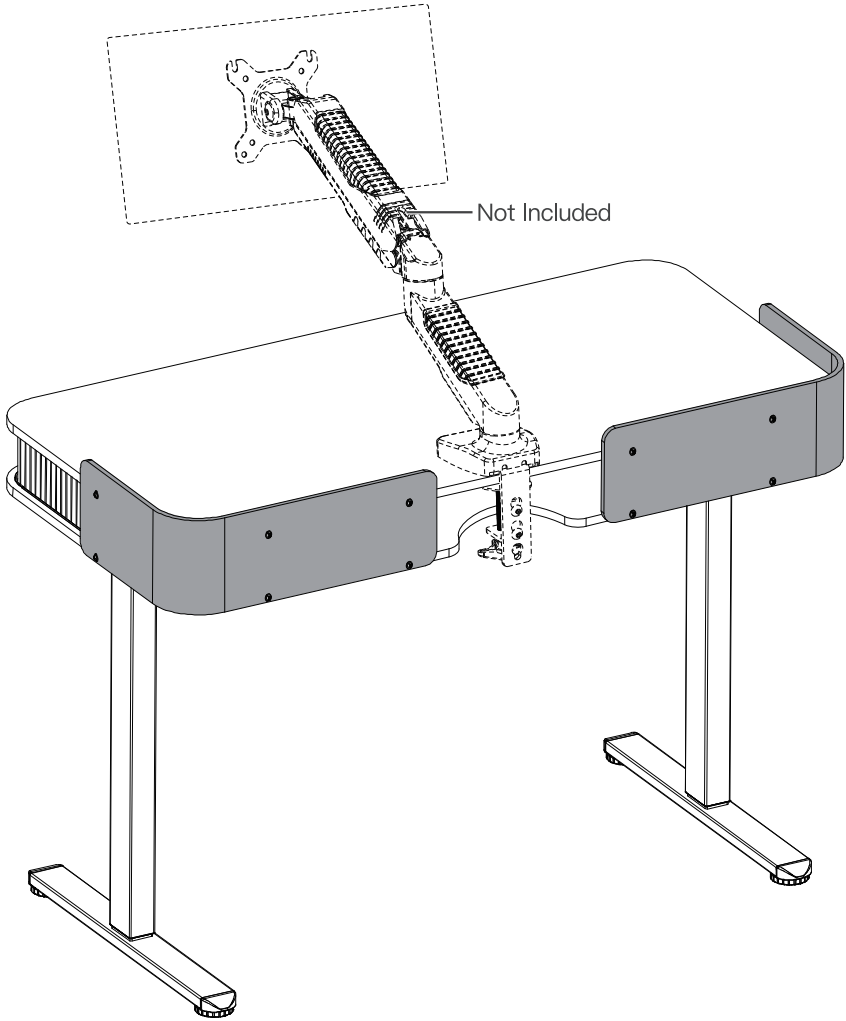


not included



Tip: Remove the protective film on the door if needed.

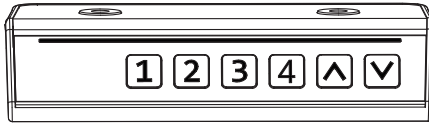




Using the Controller



Tip: Reset before first use.



Note: Ensure that there are no obstacles when using the desk, that the desktop is not too close to the wall, and that all cables are long enough for the desk to move up and down freely. When the controller screen is off (power-saving mode), press any button to wake it before operation.

Suggestion: Set the most comfortable height when you sit down to **[1]** and the most comfortable height when you stand up to **[2]**. The other two presets can be set for another user or for other heights you want to use.

• Save Current Height Setting

Four heights can be saved. Press and hold the **[1]**, **[2]**, **[3]**, or **[4]** button for 5 seconds until 'H1,' 'H2,' 'H3,' or 'H4' displays and flashes. The screen will display the current height, which will be saved to that button.

• Select Height Setting 1

Press the **[1]** button. The desk will move to the height that was previously set for that button.

• Select Height Setting 2

Press the **[2]** button. The desk will move to the height that was previously set for that button.

• Select Height Setting 3

Press the **[3]** button. The desk will move to the height that was previously set for that button.

• Select Height Setting 4

Press the **[4]** button. The desk will move to the height that was previously set for that button.

• Raise the Desk

Press the **[^]** button to raise the desk continuously until it reaches the highest position of 46.5" (118cm) or the button is released.

• Lower the Desk

Press the **[v]** button to lower the desk continuously until it reaches the lowest position of 30.7" (78cm) or the button is released.

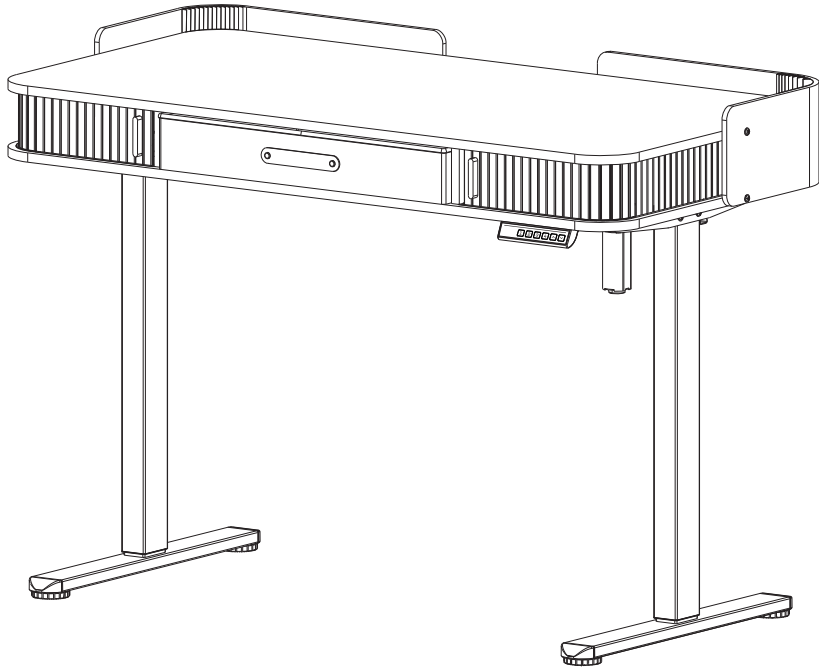
Settings

Reset	<p>1. Press and hold the <input type="checkbox"/> button until the desk goes down to its lowest level, then release the button.</p>
'RES' displays as <input type="checkbox"/> on the screen.	<p>2. Press and hold the <input type="checkbox"/> button for 5 seconds, and the screen will display 'RES.' Continue holding until the desk goes down to its lowest level and comes back up slightly. Reset is complete.</p>

Protection Mode Error Codes

Hot	<p>Overheating Protection: When the motor has been working continuously for 5 minutes, it will stop operating to prevent damage from overheating. Wait for at least 15 minutes before making any further height adjustment.</p>
E10	<p>Motor safety sensor cannot be detected. Power off, disconnect the controller cable, wait for 5 minutes, reconnect the cable, then power back on. Follow the reset procedure detailed above.</p>
E20	<p>Overload Warning: Max load exceeded. If raising the desk, remove all items from the desk and try again. If lowering the desk, power off, remove all items from the desk, power back on, then try again. If error code persists, follow the reset instructions.</p>
E02	<p>Operation Status Warning: The desk stops moving if vibration, impact, or incline are detected. If this detection is incorrect, follow the reset instructions before continuing use.</p>
E32	<p>Overvoltage Protection: Input voltage too high. If the correct AC adapter is being used, power off, disconnect the controller cable, wait for 5 minutes, reconnect the cable, then power back on. Follow the reset procedure detailed above.</p>
E31	<p>Undervoltage Protection: Input voltage too low. If the correct AC adapter is being used, power off, disconnect the controller cable, wait for 5 minutes, reconnect the cable, then power back on. Follow the reset procedure detailed above.</p>
—	<p>Cable Disconnection Warning: Power off, disconnect the controller cable, wait for 5 minutes, reconnect the cable, then power back on. Follow the reset procedure detailed above.</p>

Thank you again for
choosing this product!



All of us do appreciate your product purchase. We hope that you are as happy with your product as we are designing and manufacturing it for you. We strive to provide you with the best quality products and services in the industry. Should you have any issues, please don't hesitate to contact us.