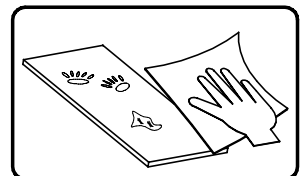
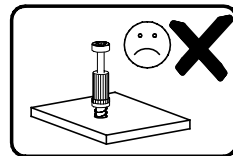
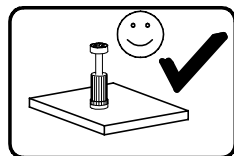
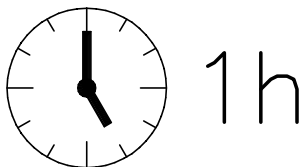
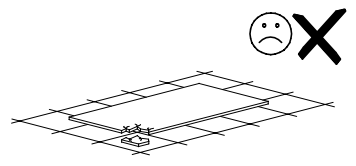
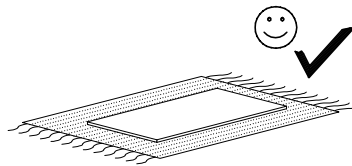
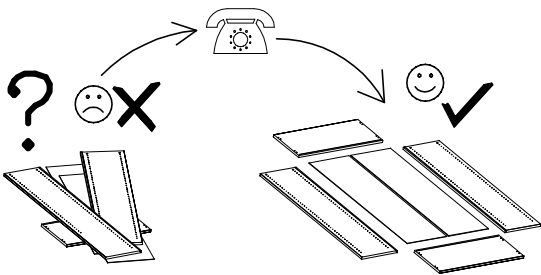
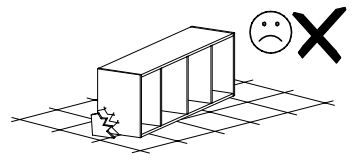
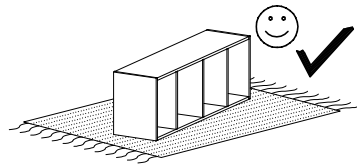
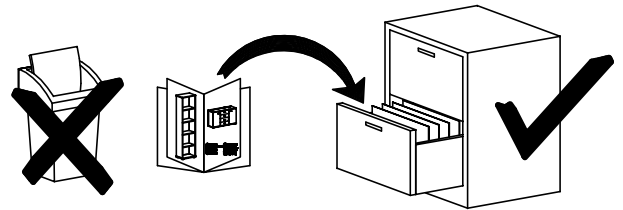
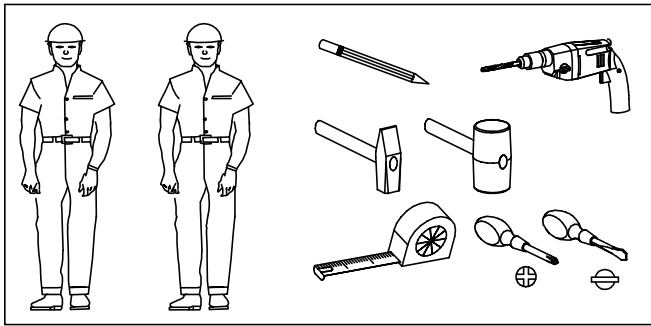
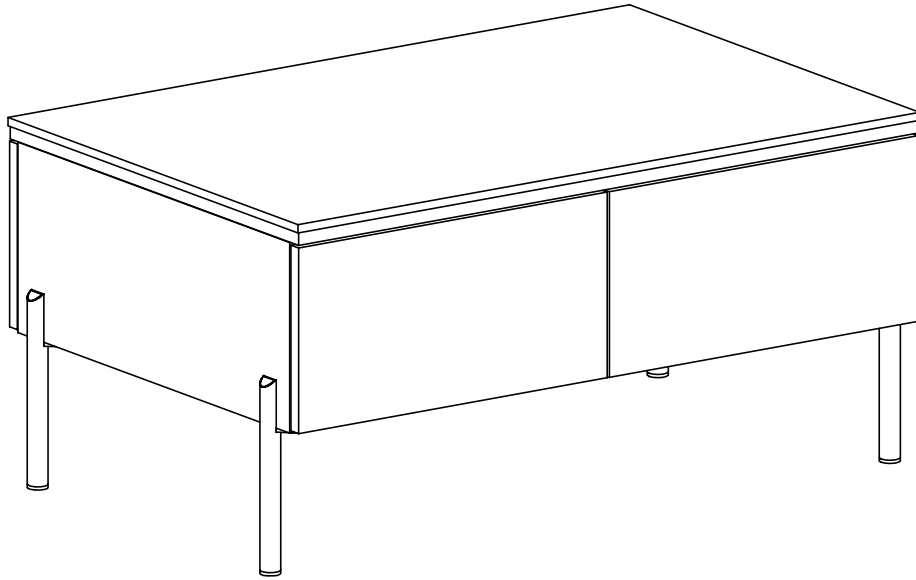
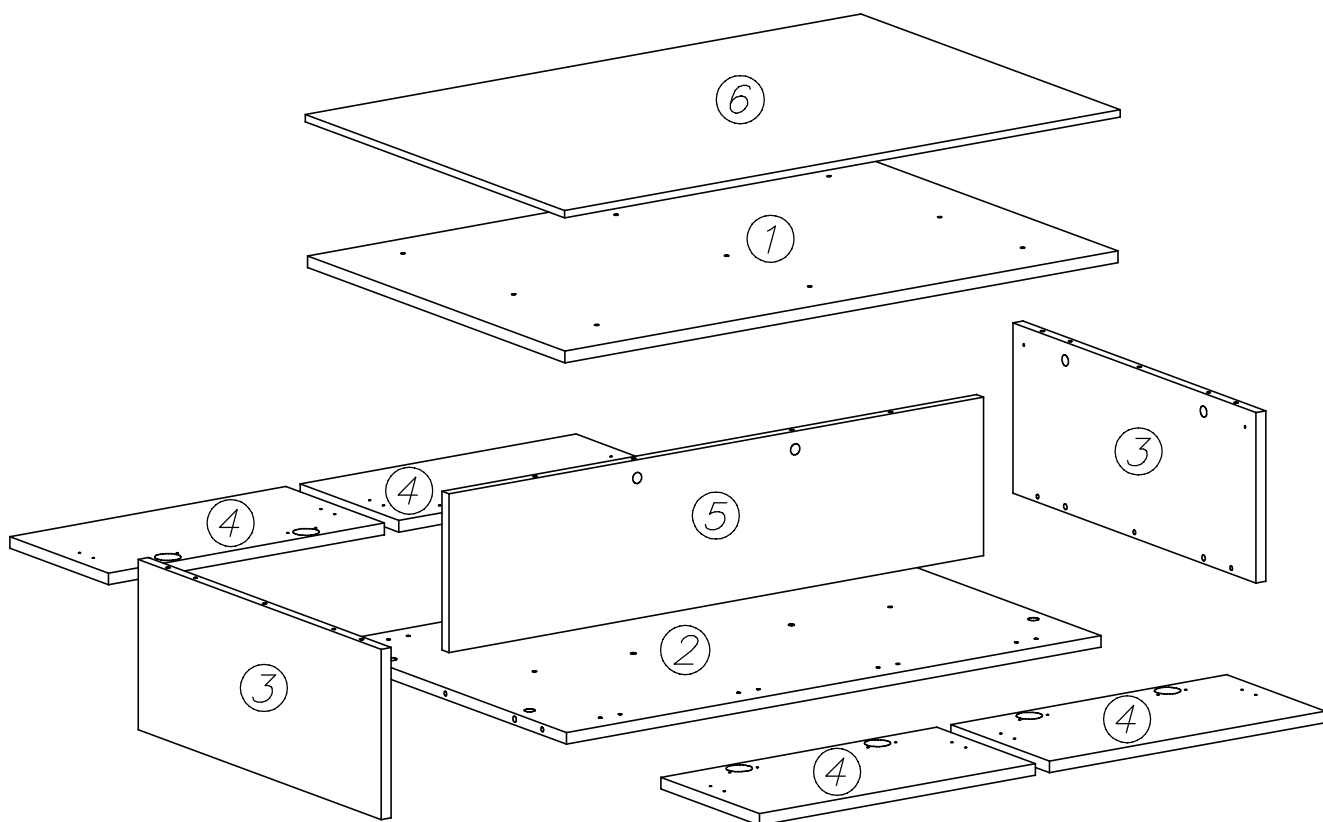
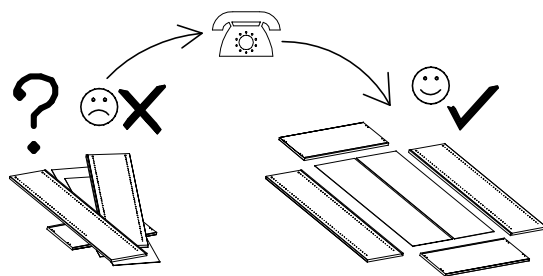
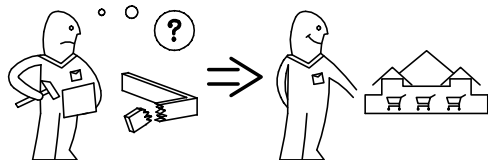
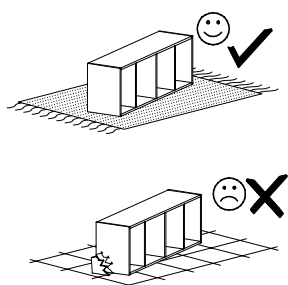


INSTALLATION & ASSEMBLY



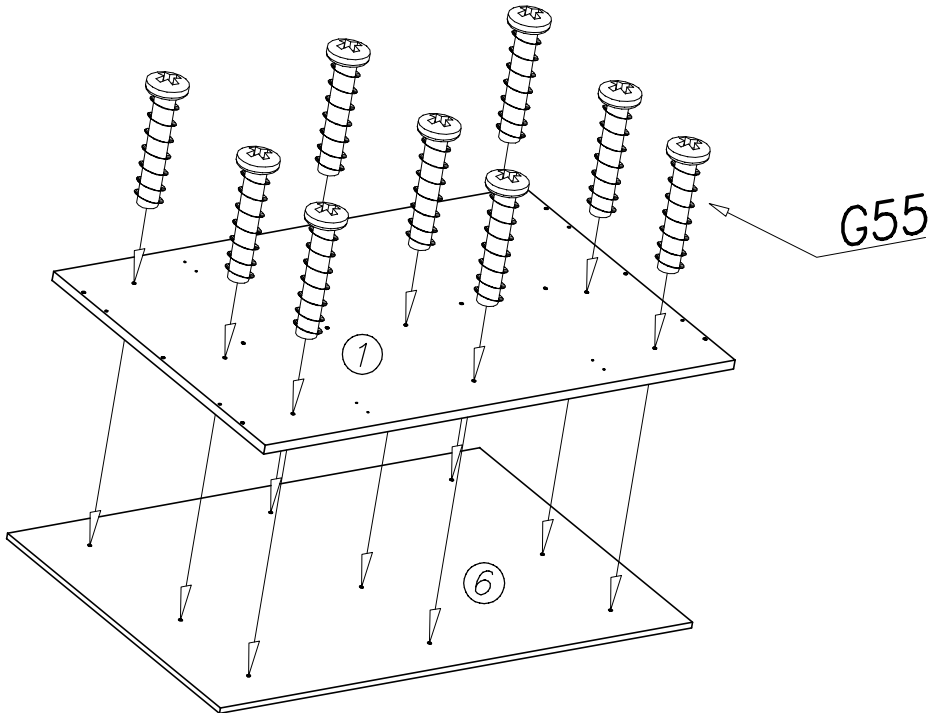
INSTALLATION & ASSEMBLY



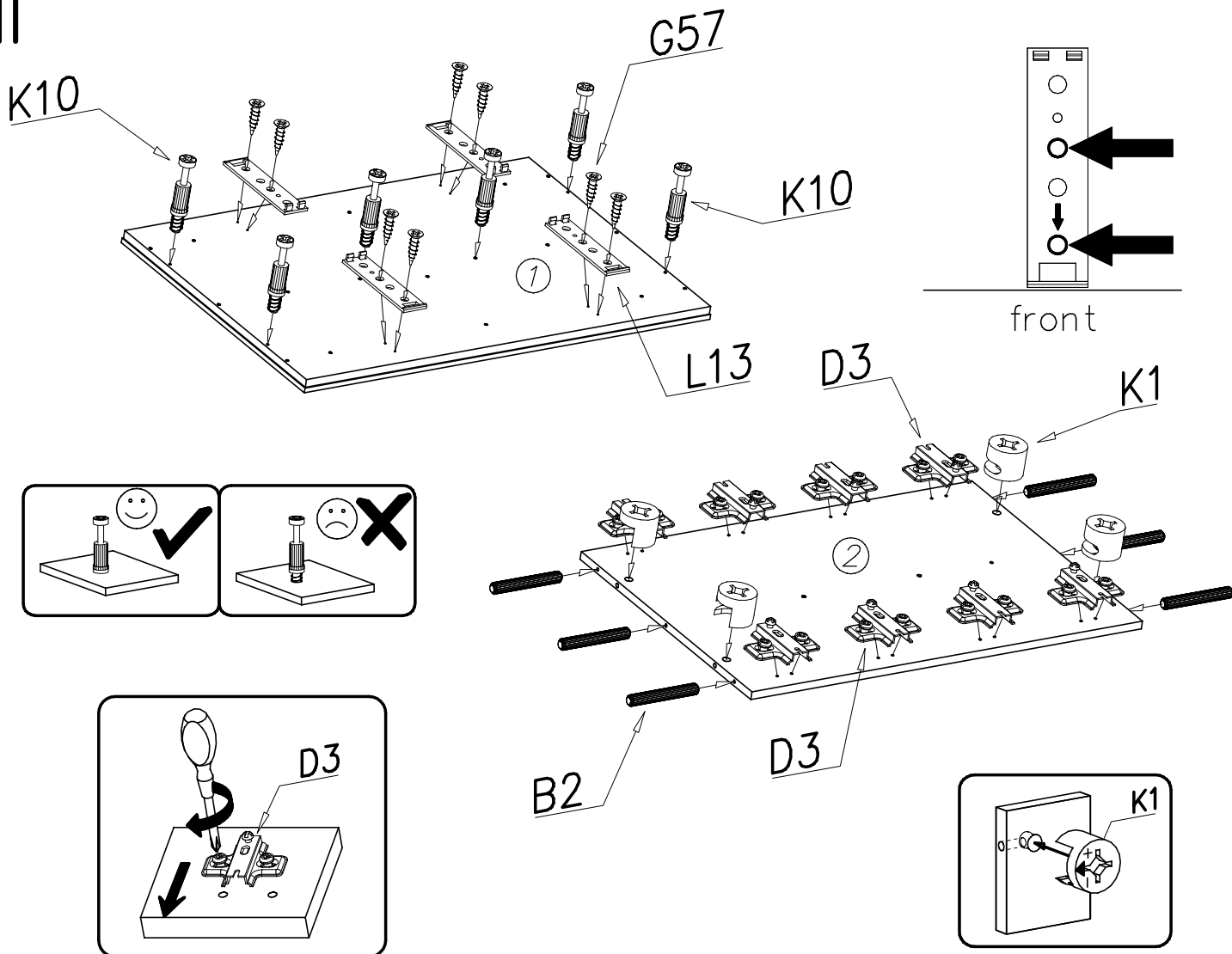
G57 3,5x16 x...(8)	C3 Z35PR x...(8)	G43 5x20 x...(4)	S13 x...(4)	A1 ø7x50 x...(2)
L13 x...(4)	D3 PZ35PR x...(8)	P47 x...(4)	L8 x...(4)	W1 GLUE, LEIM, LEPIDLO, LIM x...(1)
K1 ø15x12 x...(10)	G55 6x22 x...(9)			
K10 x...(10)	G4 4x16 x...(24)	W2 x...(1)	G32 3,5x16 x...(20)	B2 ø6x35 x...(16)

INSTALLATION & ASSEMBLY

I

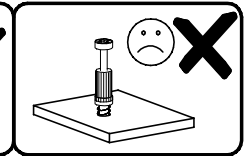
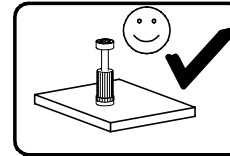
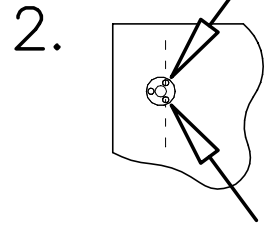
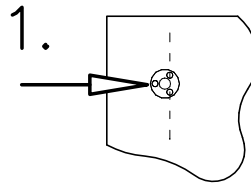
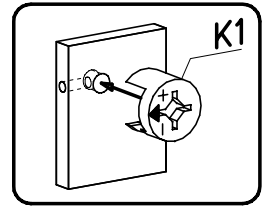
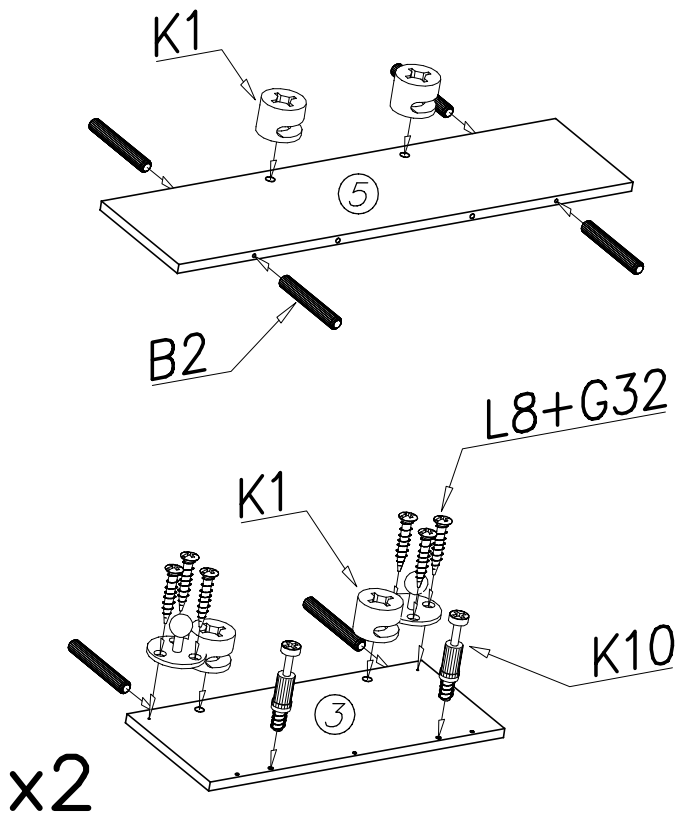


II

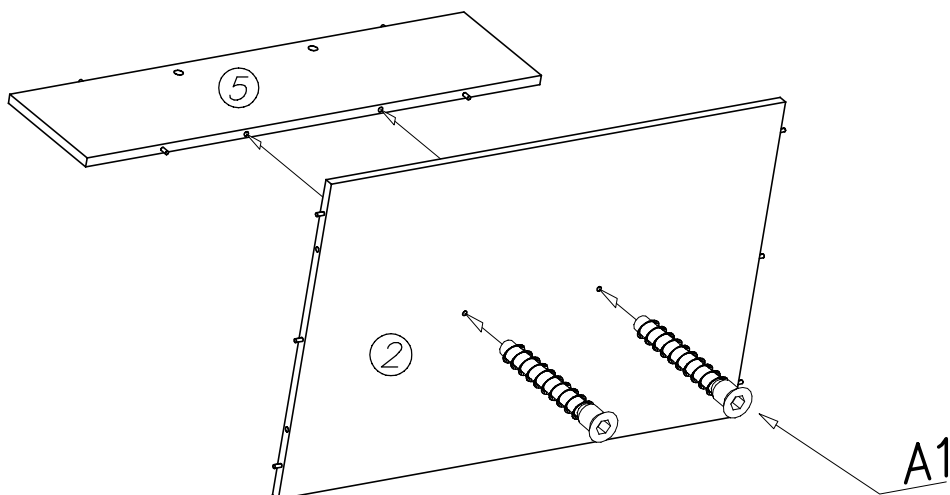
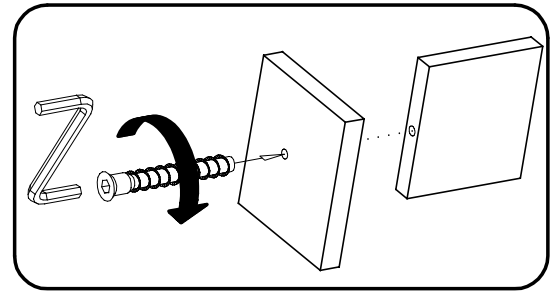


INSTALLATION & ASSEMBLY

III

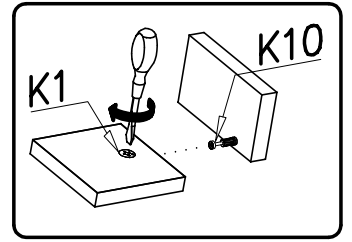
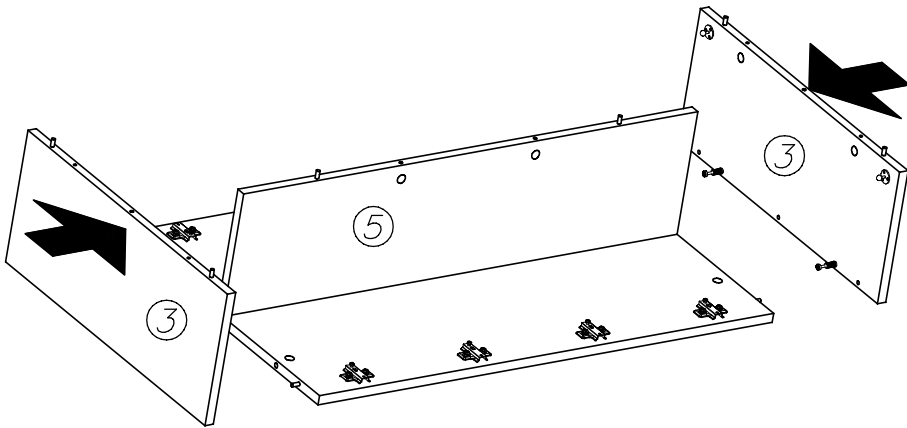


IV

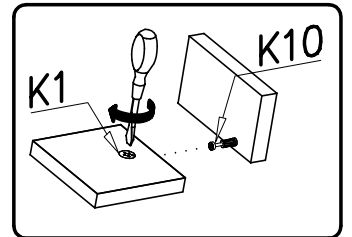
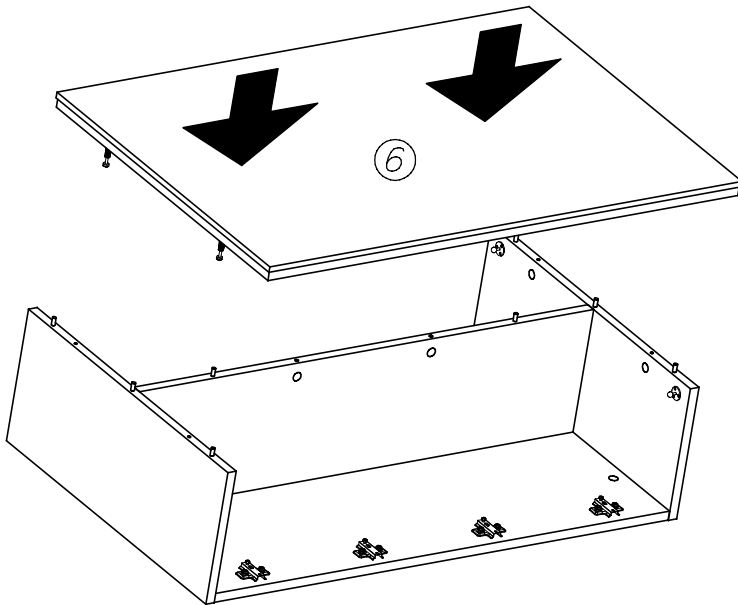


INSTALLATION & ASSEMBLY

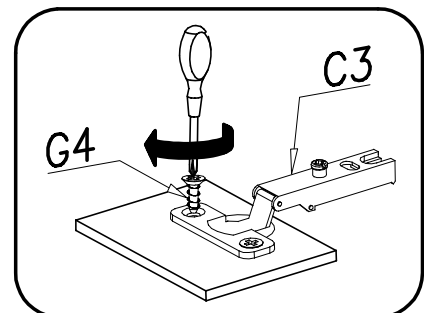
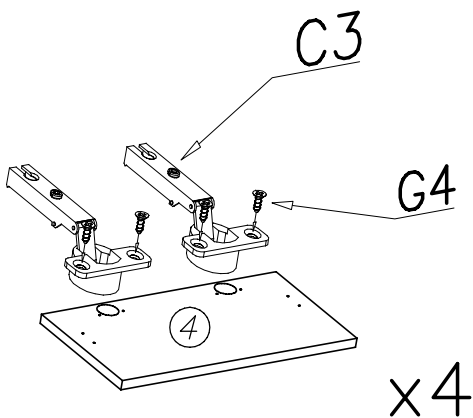
V



VI

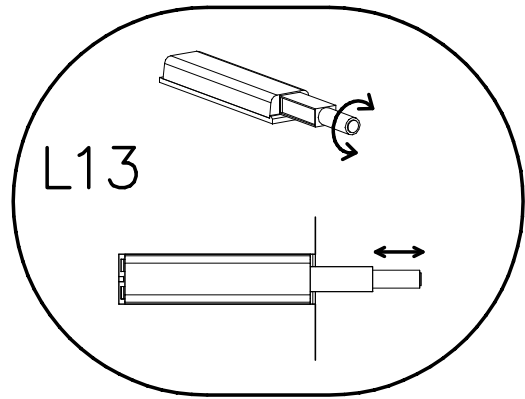
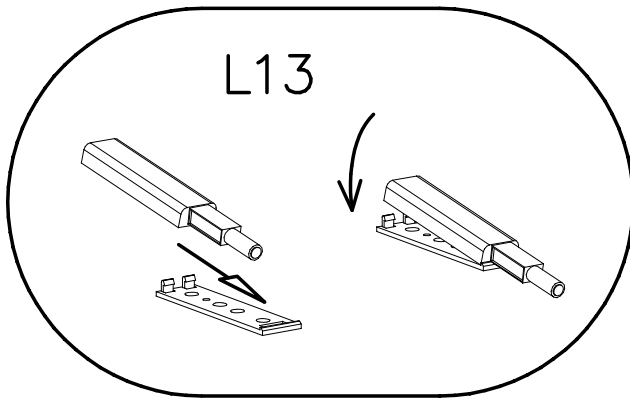
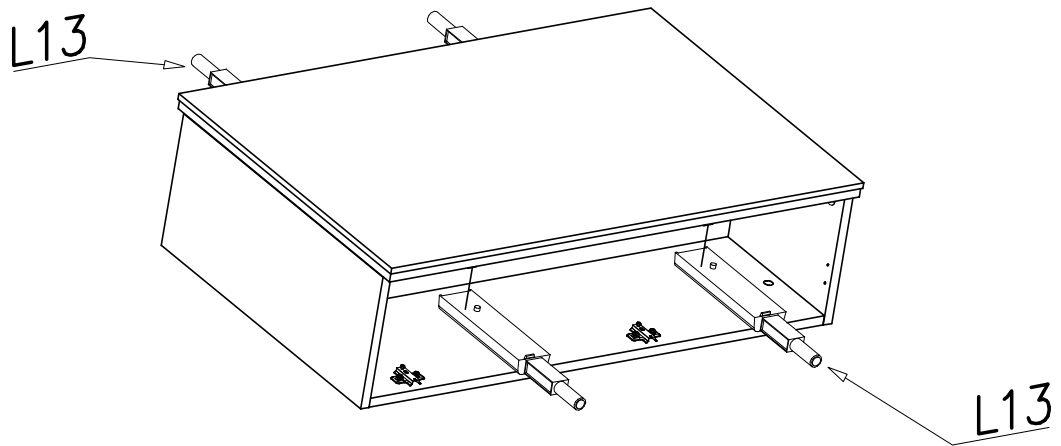


VII

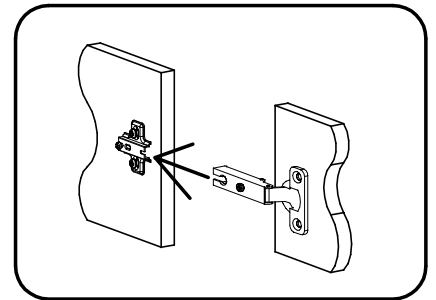
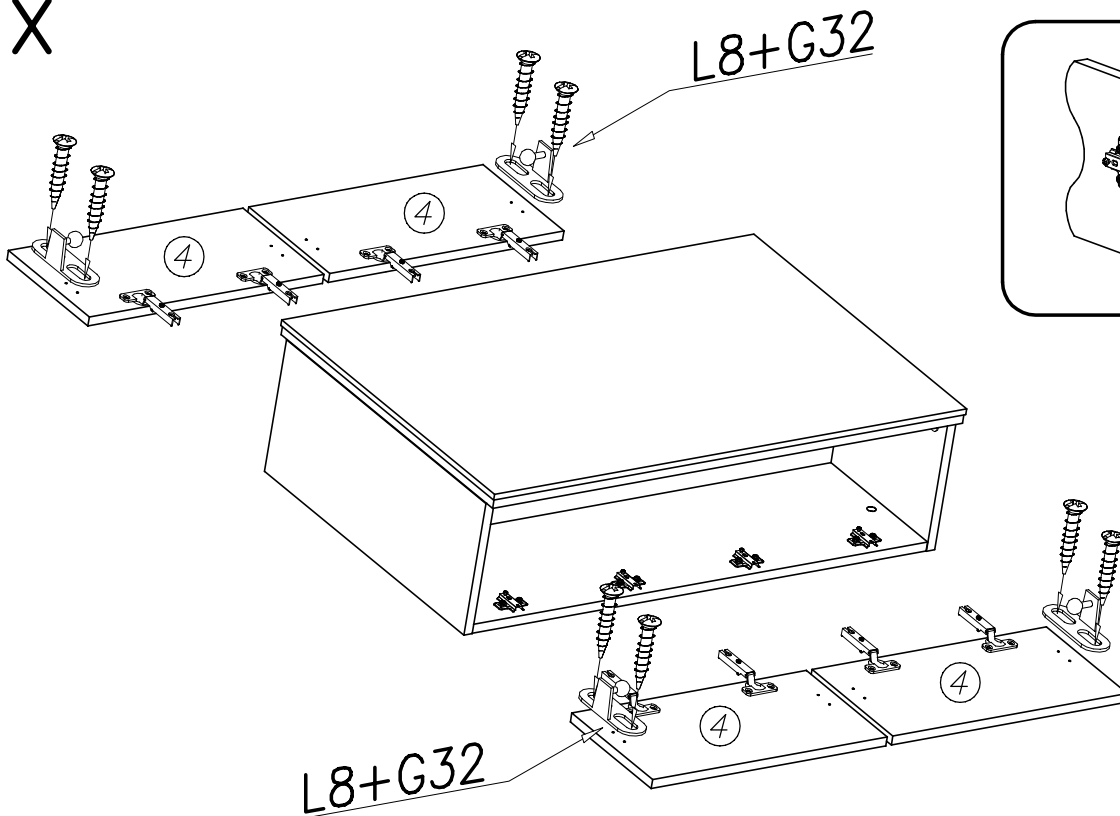


INSTALLATION & ASSEMBLY

VIII

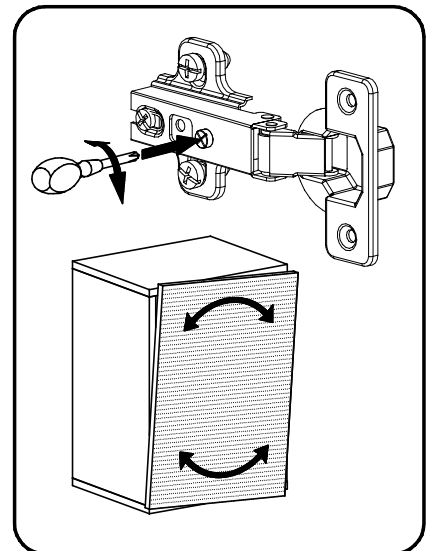
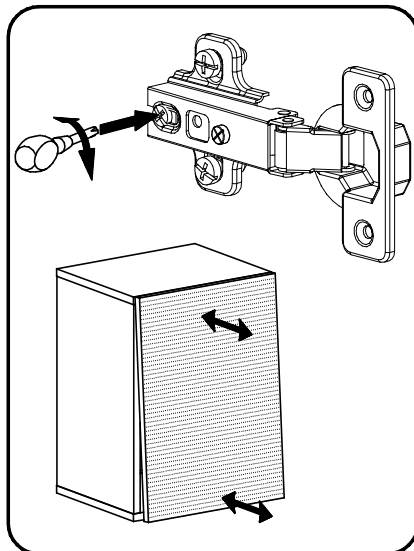
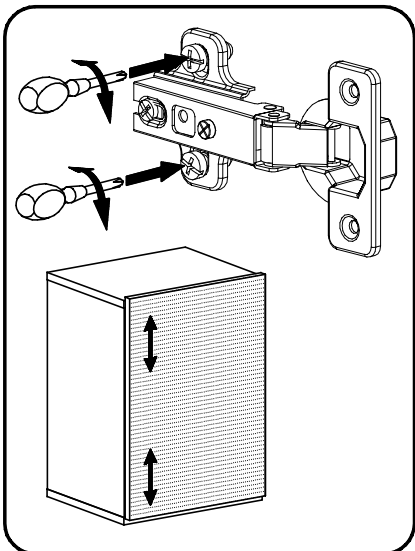
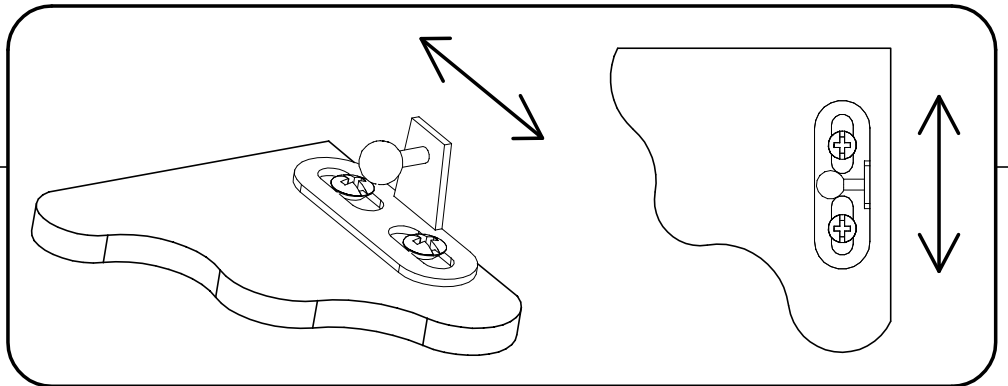
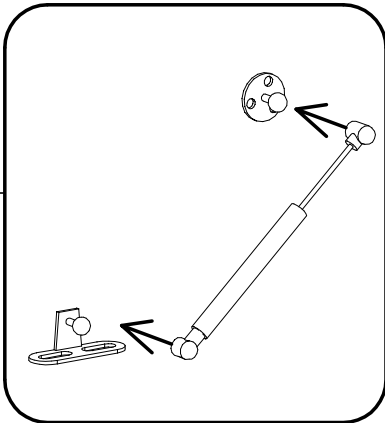
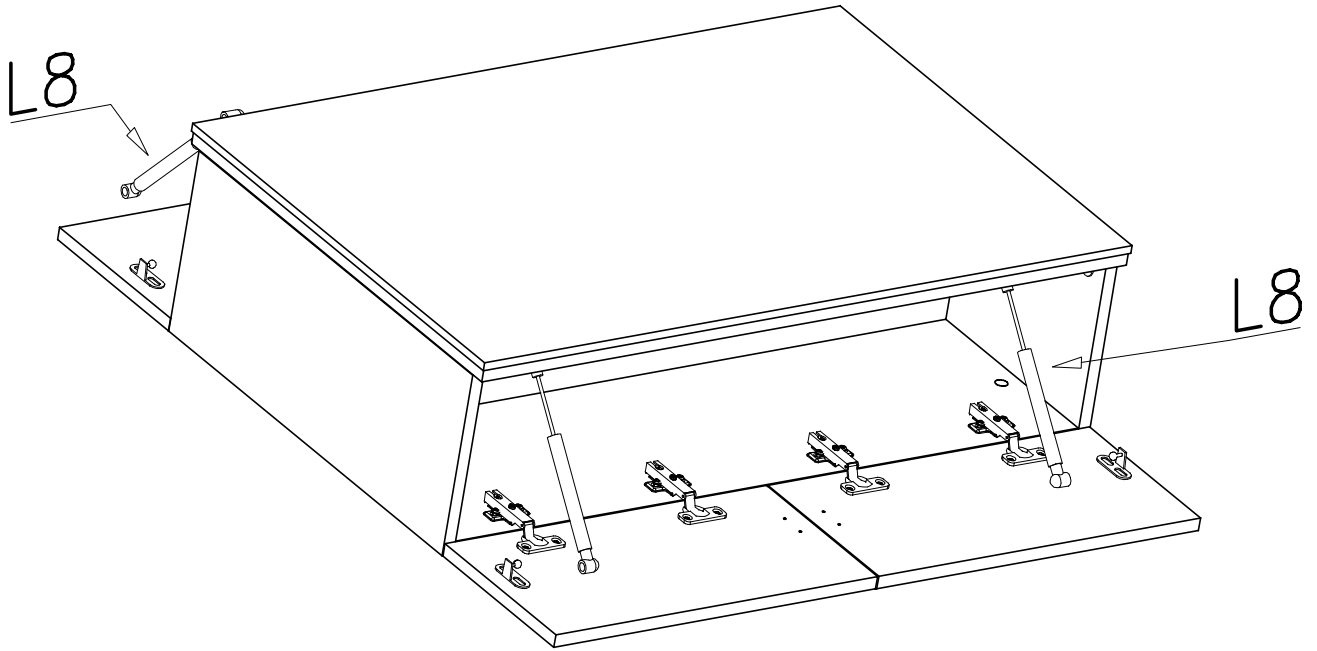


IX



INSTALLATION & ASSEMBLY

X



INSTALLATION & ASSEMBLY

XI

