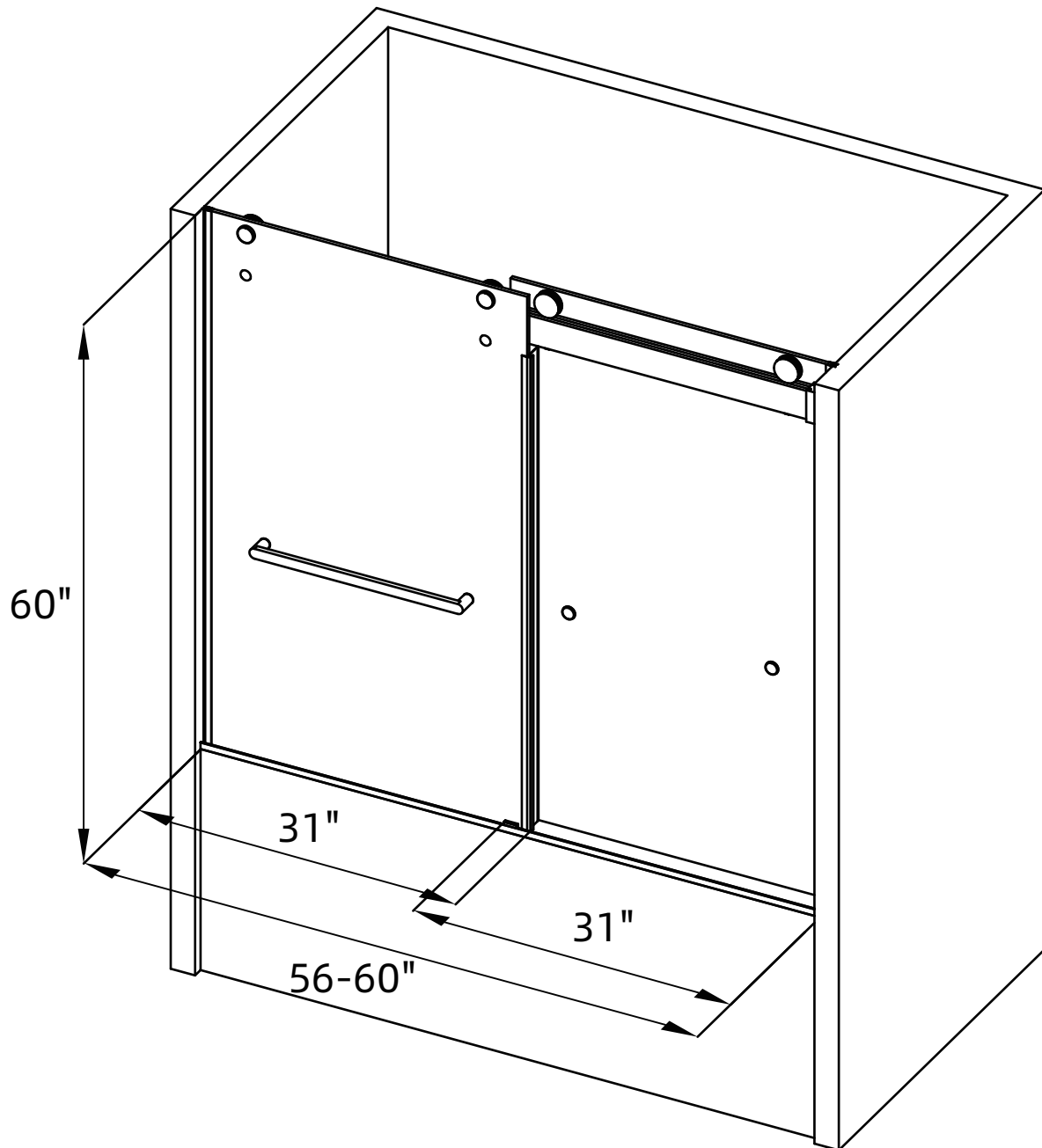


# Dimension/Specification



**RX-SD03-6065BN**