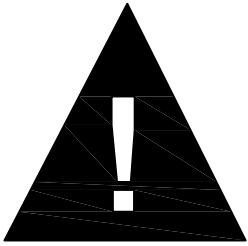


ASSEMBLY INSTRUCTION

V2421 - V 3621



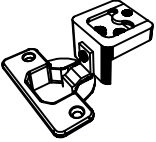






Warning: Excessive weight hazard!

Use two or more people to move, assemble, or install cabinets to avoid back injury. do not leave children unattended near cabinets. high risk of tipping if cabinets are installed incorrectly: securely attach cabinets to the wall to avoid serious injury.

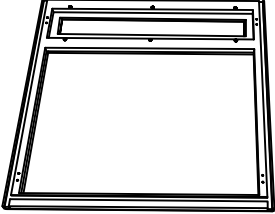
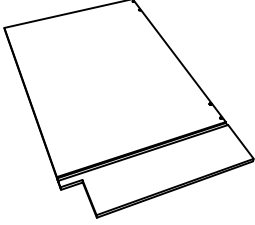
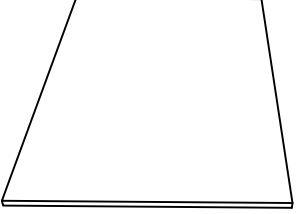
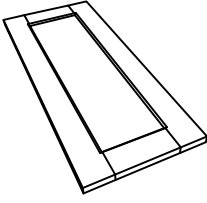
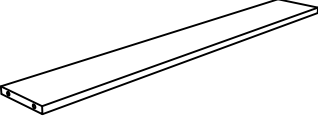



ASSEMBLY INSTRUCTION

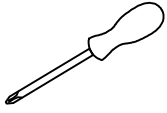
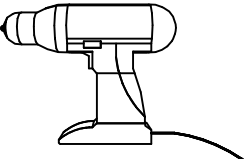


INCLUDED HARDWARE

a	HINGE	b	L-BRACKET	c	SCREW $\Phi 3 \times 12$	d	SCREW $\Phi 4 \times 16$
							
	4PC(S)		10PC(S)		40PC(S)		20PC(S)
e	DOOR BUMPER	f	CORNER SUPPORT BRACKET	g	WOODEN DOWEL $\Phi 6 \times 30$		
							
	4PC(S)		4PC(S)		8PC(S)		

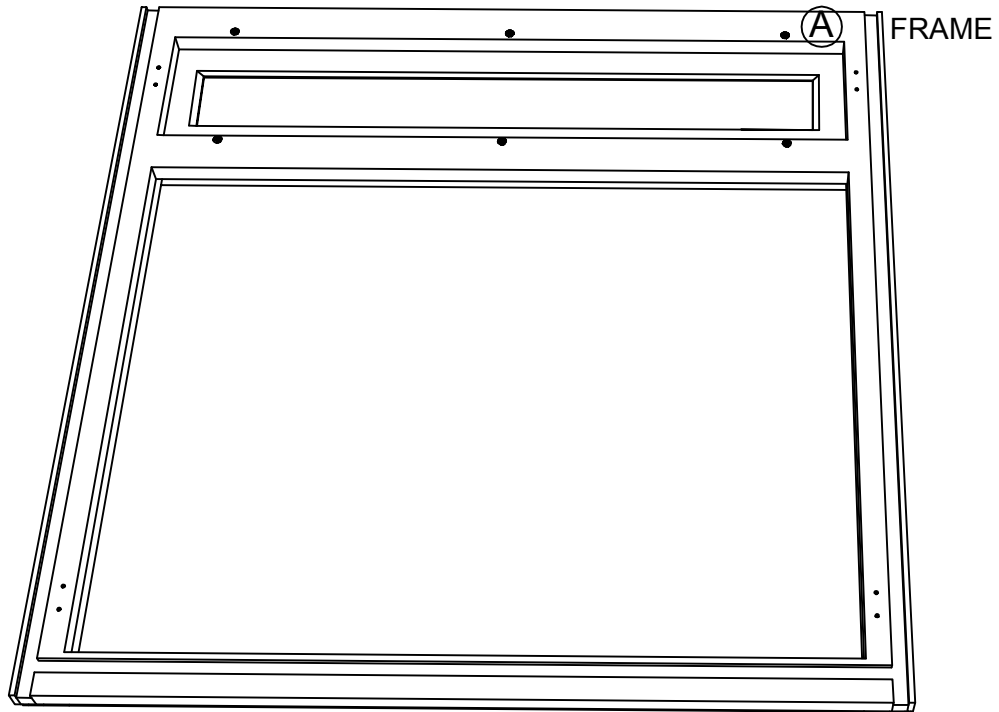
PRODUCT PARTS

A	FRAME	B	SIDE PANEL	C	DECK
					
	1PC(S)		2PC(S)		1PC(S)
D	DOOR	E	CONNECTING PANEL	F	BASEBOARD
					
	2PC(S)		2PC(S)		1PC(S)

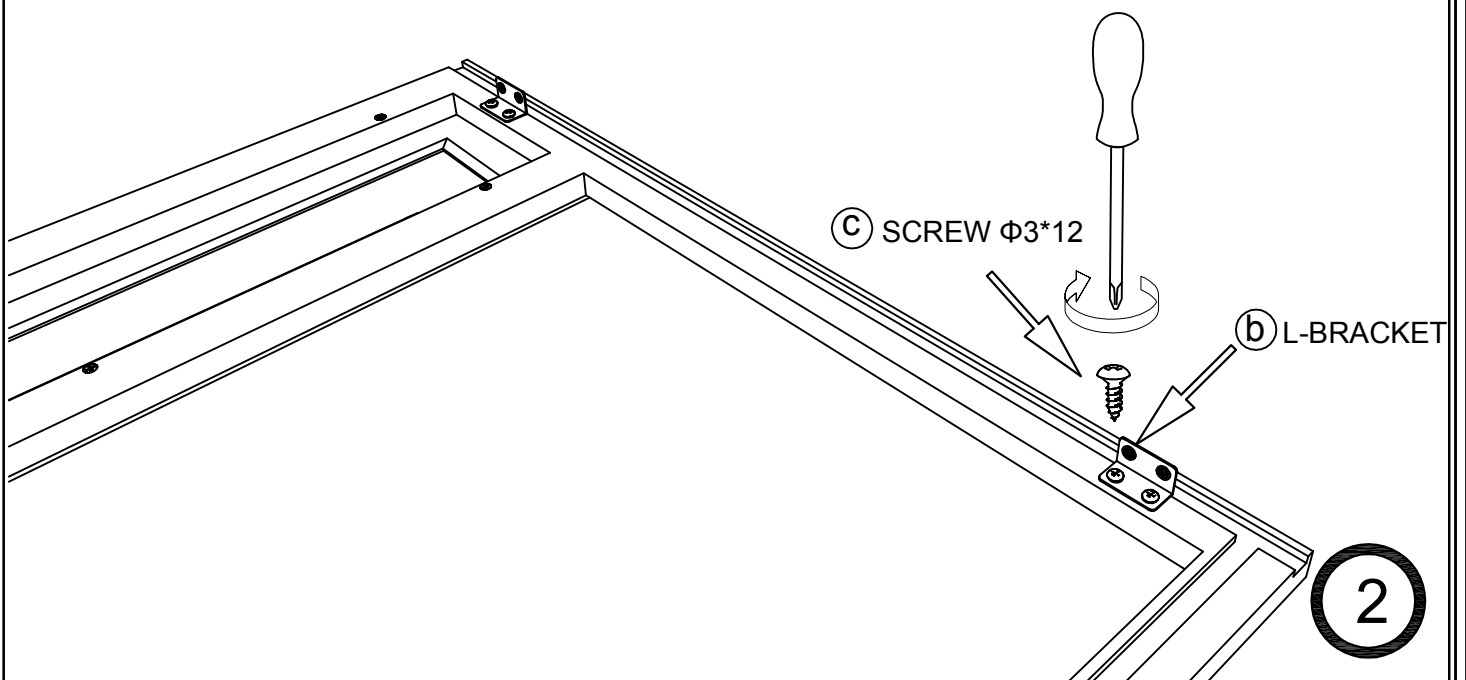
RECOMMENDED TOOLS

SCREWDRIVER	DRILL	RUBBER Mallet	GLUE
			

ASSEMBLY INSTRUCTION

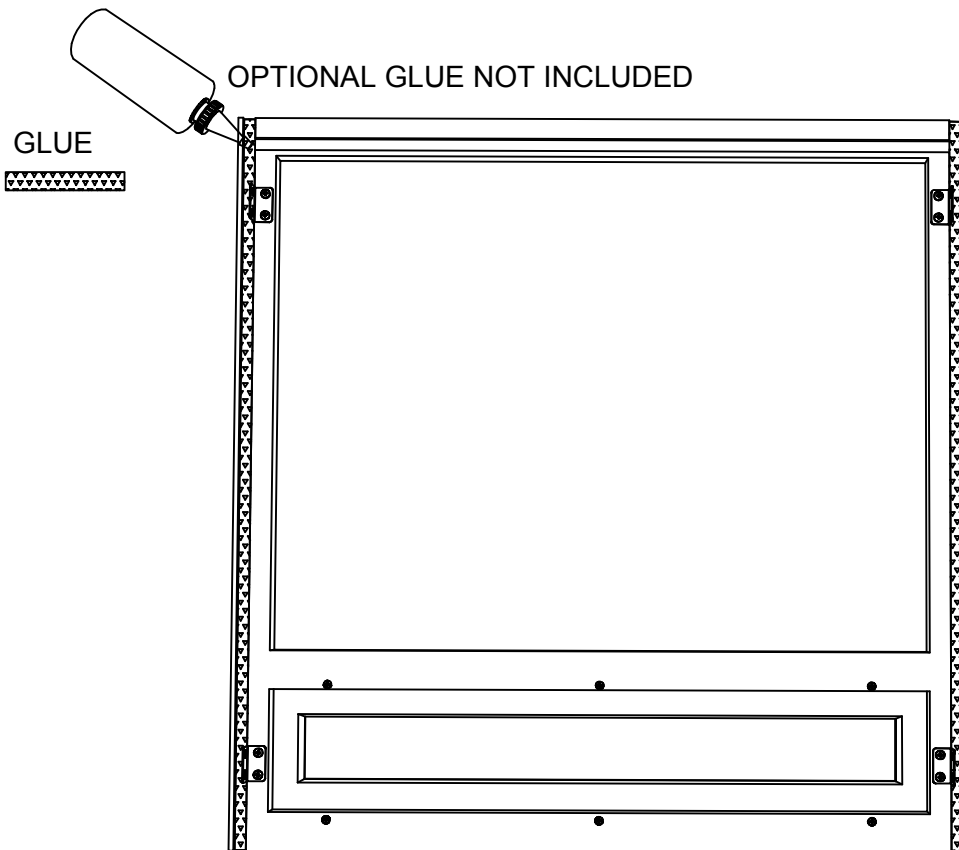


1

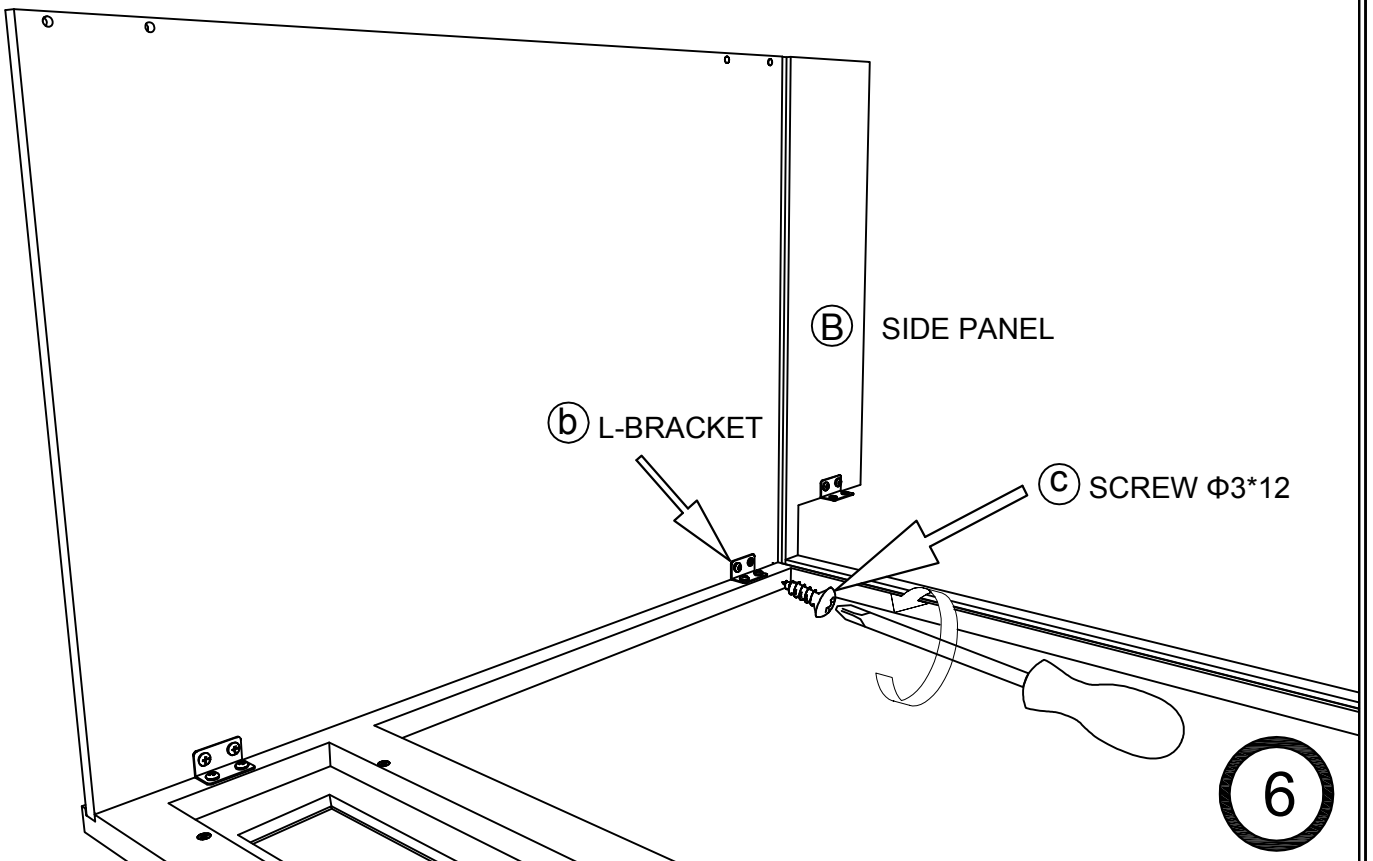
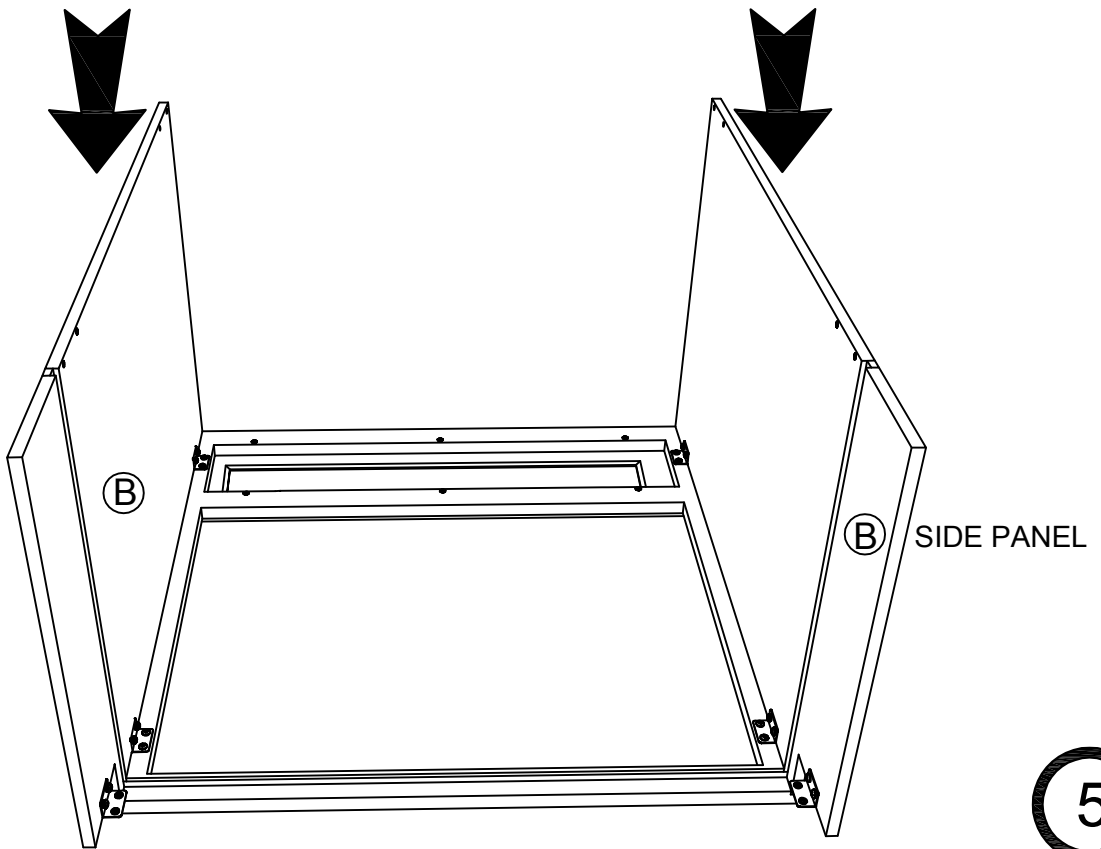


2

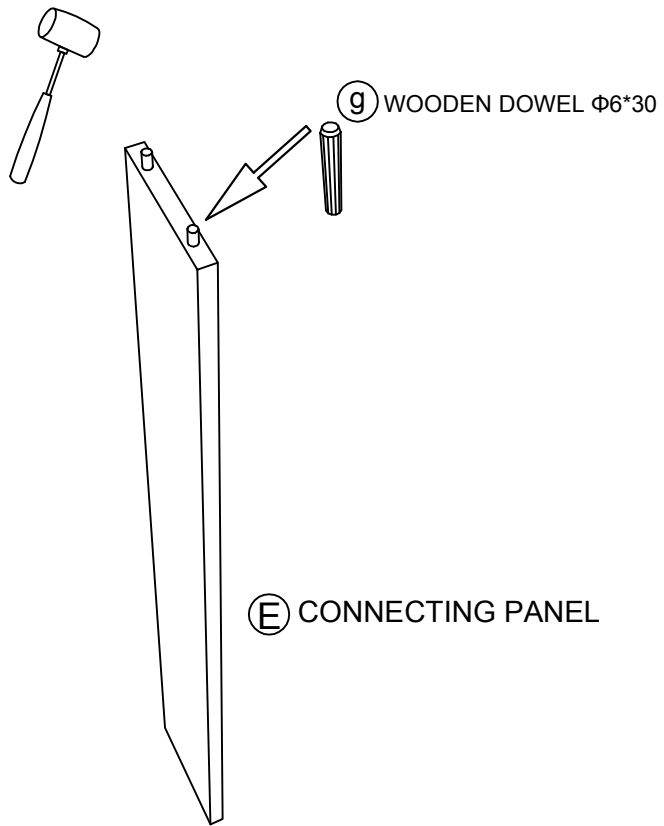
ASSEMBLY INSTRUCTION



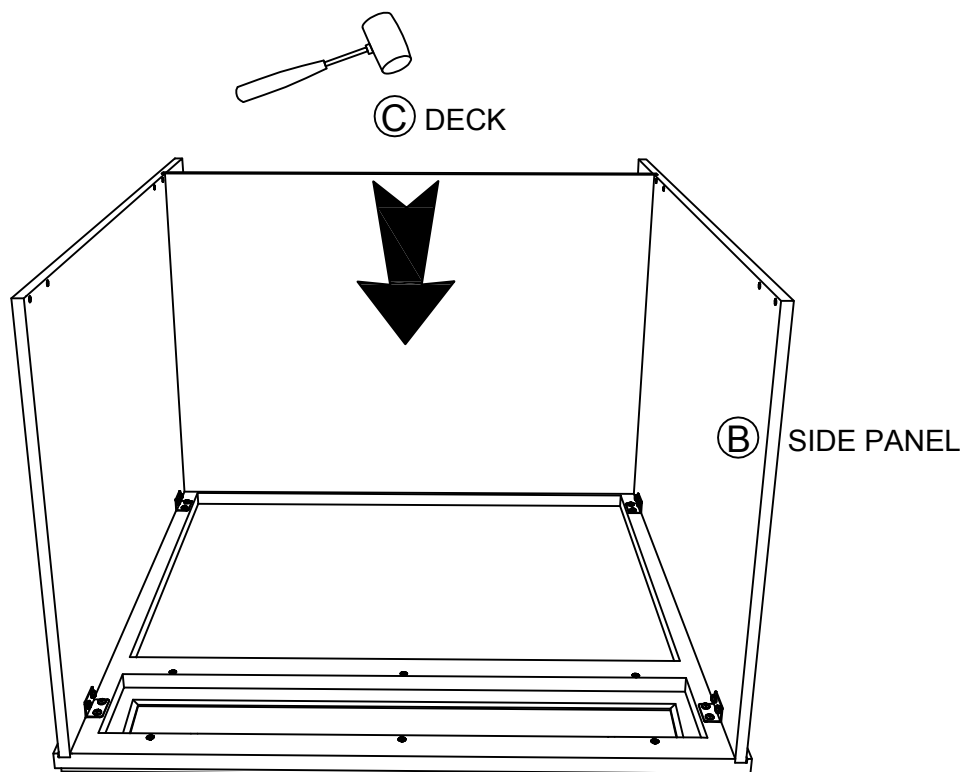
ASSEMBLY INSTRUCTION



ASSEMBLY INSTRUCTION

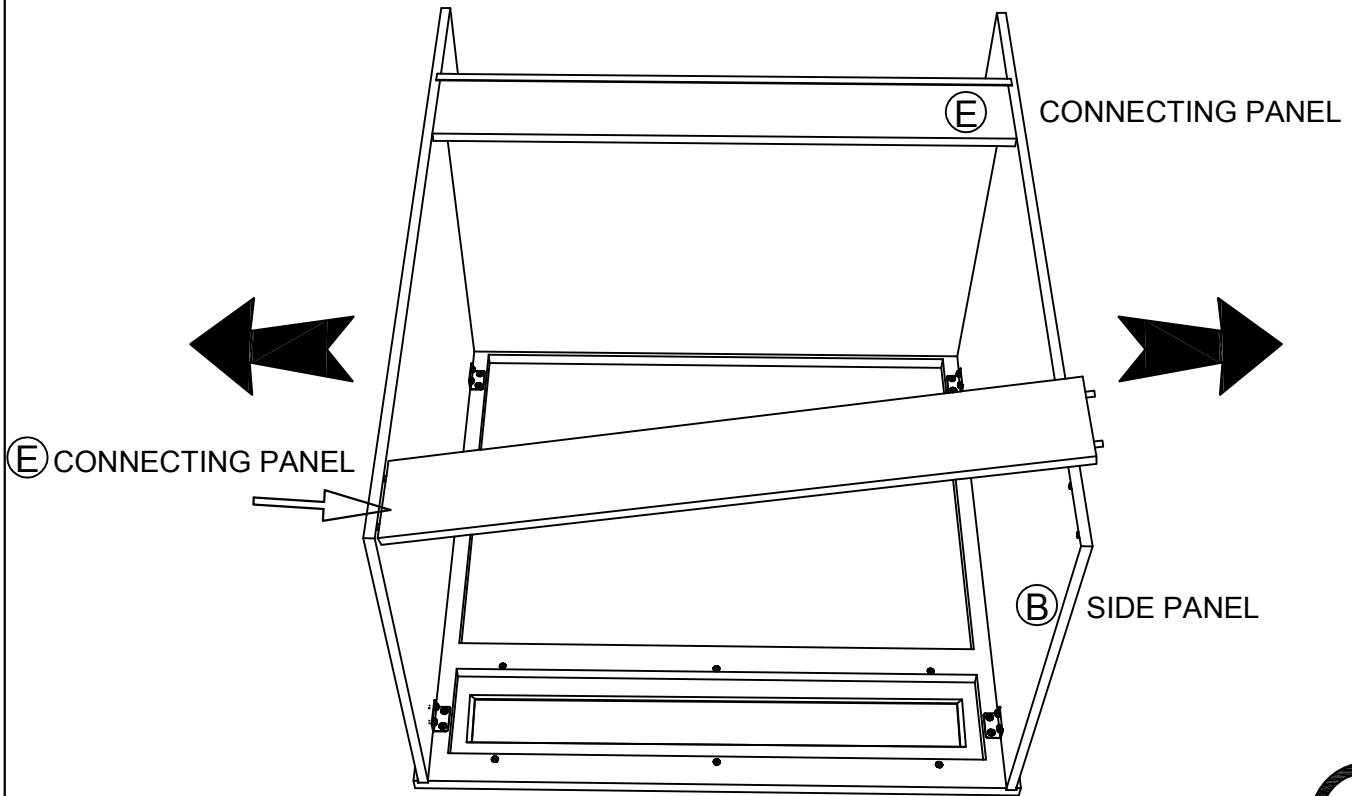


7

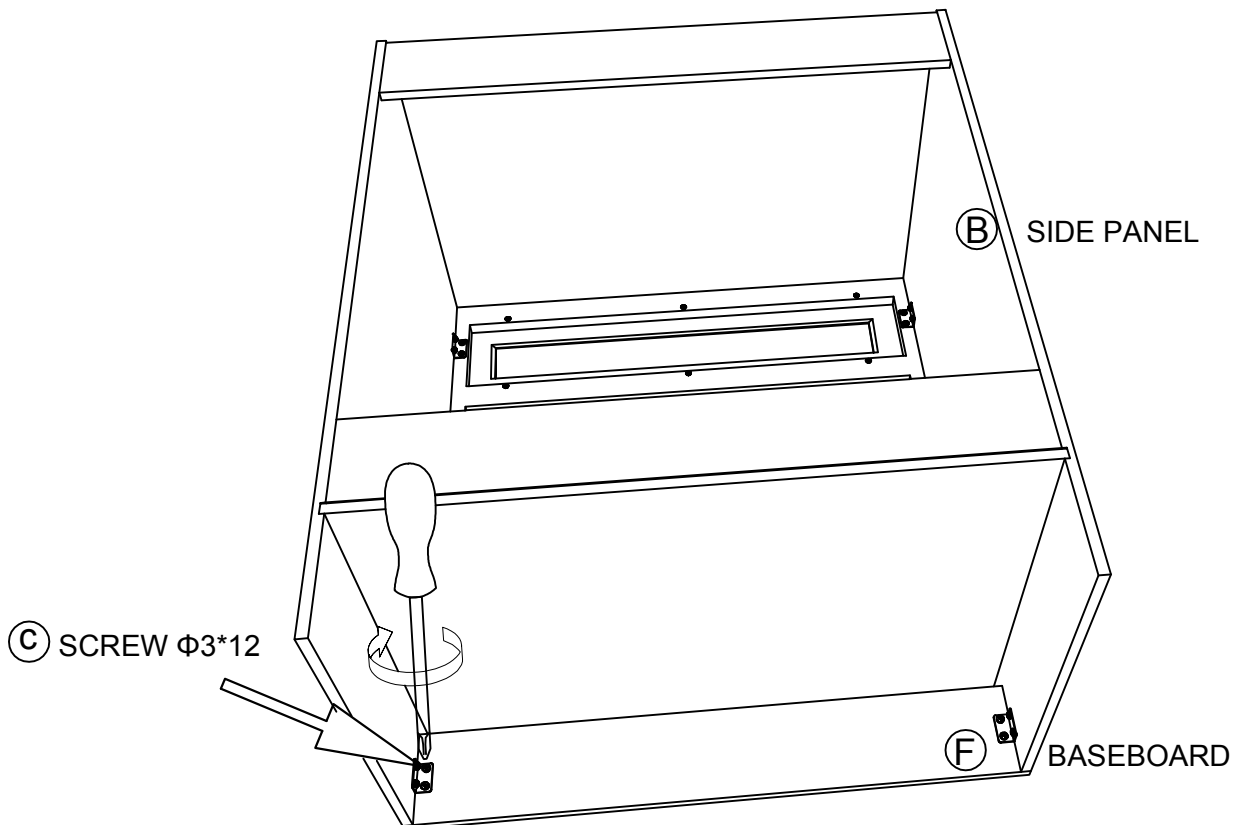


8

ASSEMBLY INSTRUCTION

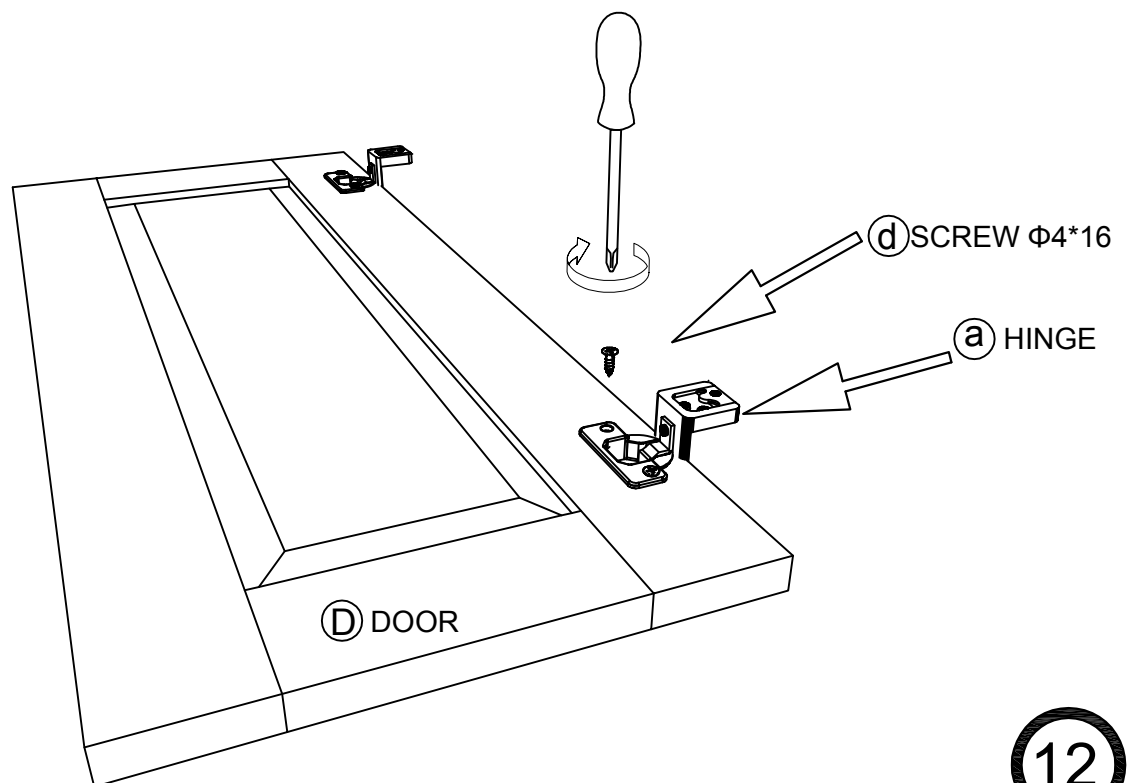
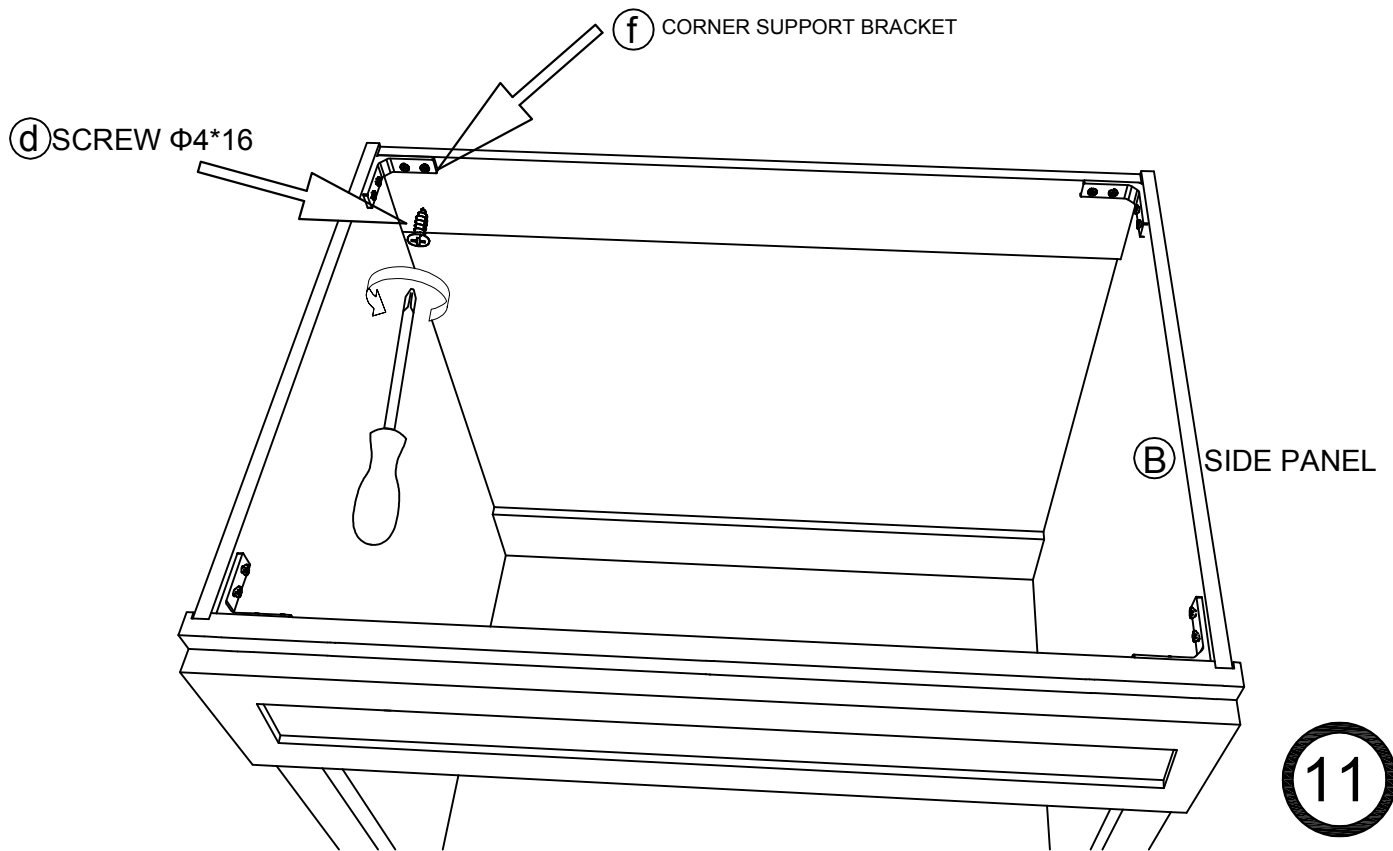


9

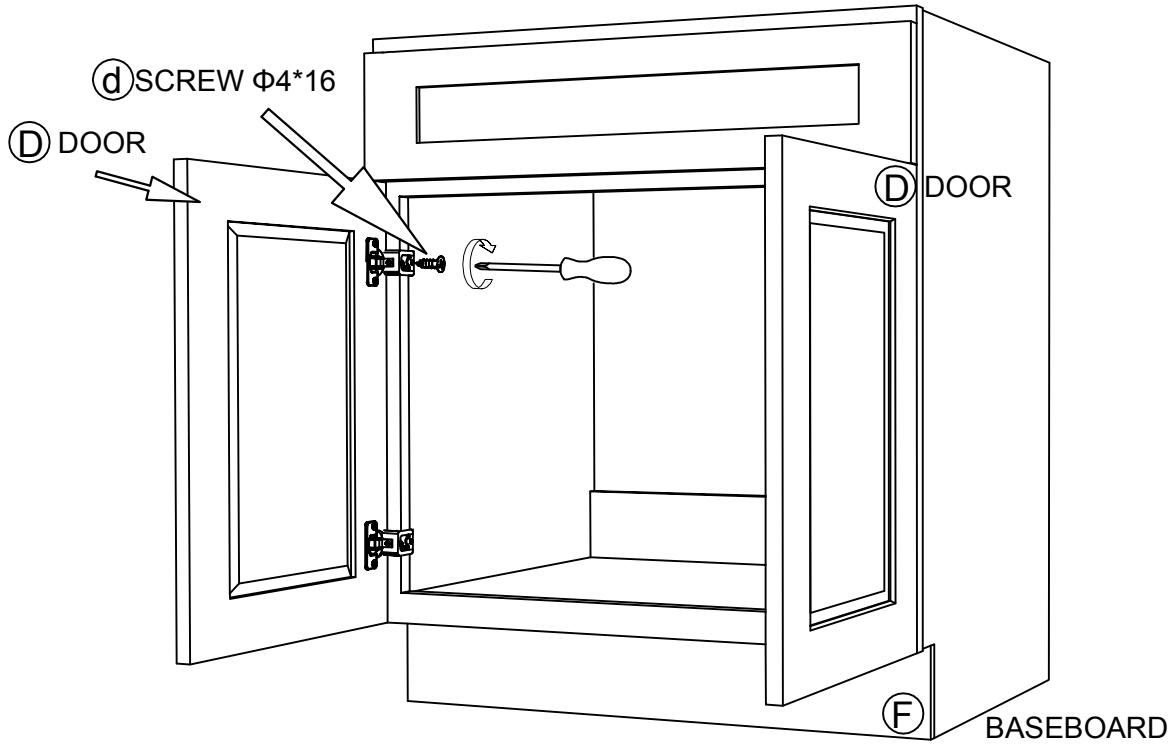


10

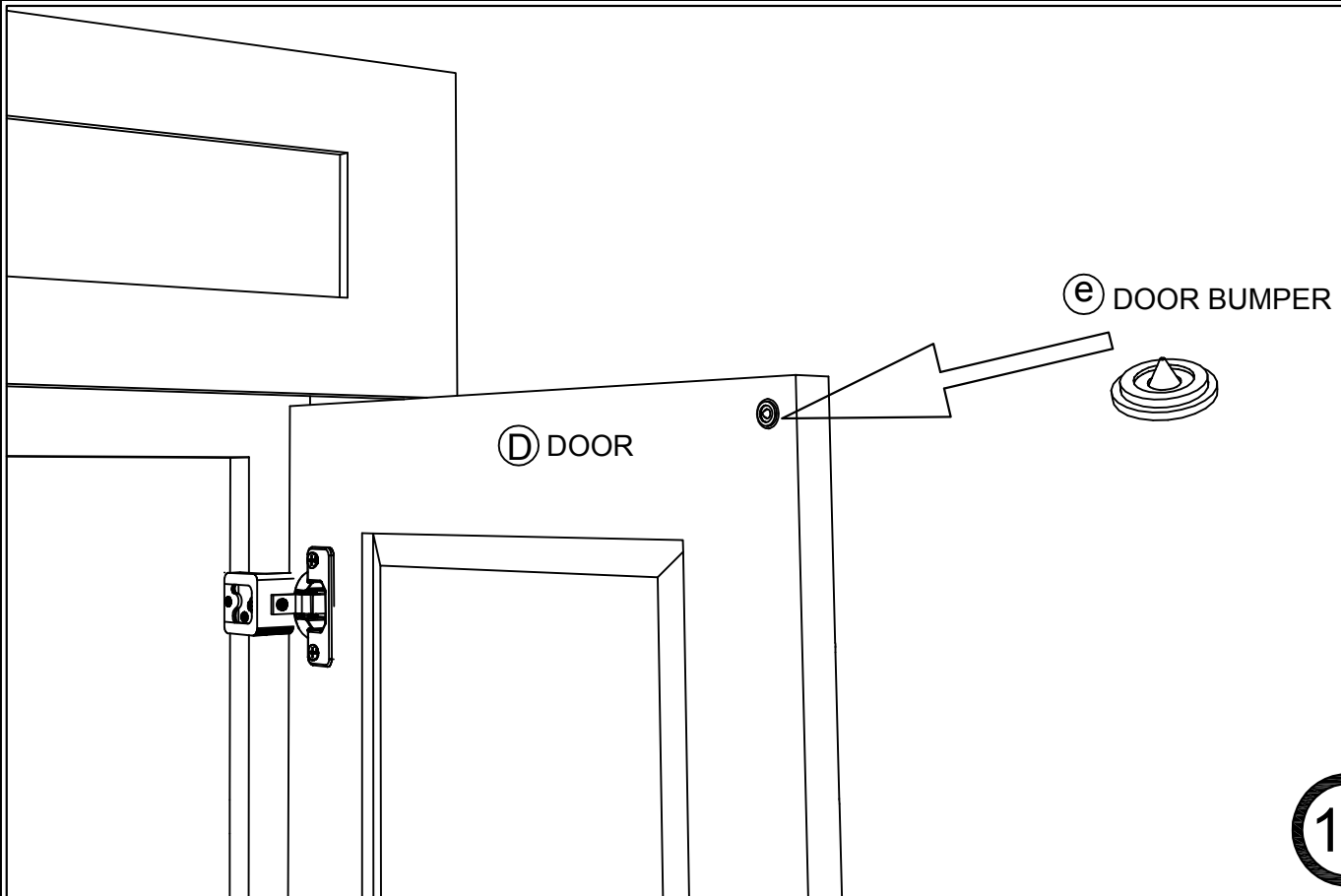
ASSEMBLY INSTRUCTION



ASSEMBLY INSTRUCTION

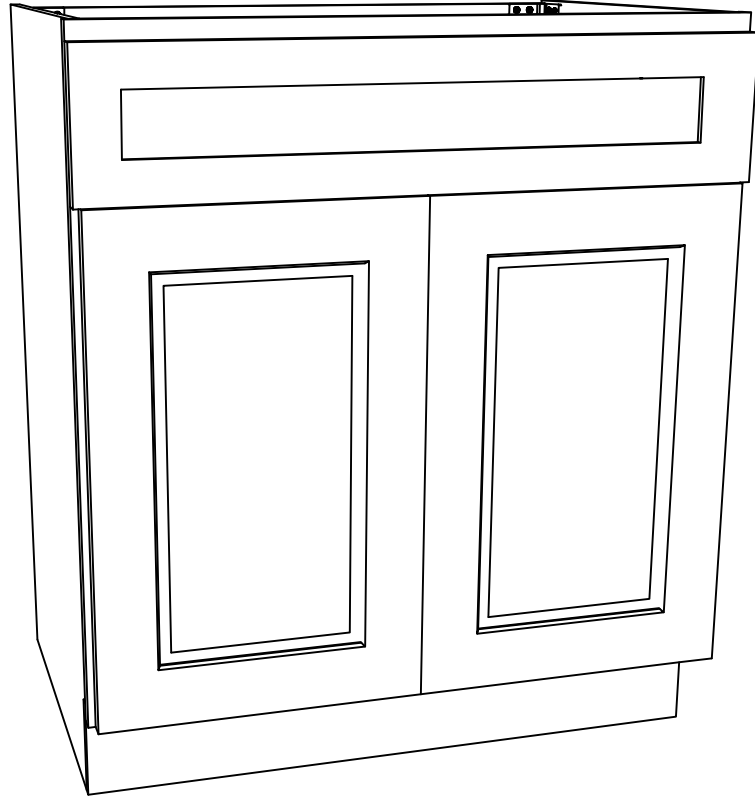


13



14

ASSEMBLY INSTRUCTION



15