

Vanity Mirror With LED Lighting User Manual

INTRODUCTION

Dear Valued Customer,

Thank you for selecting our Vanity Mirror with LED lighting. Please take a moment to carefully read these instructions before using your new mirror, and keep this manual for future reference.

If you need any further assistance, please don't hesitate to reach out to our dedicated online customer service team.

We sincerely hope you enjoy your new vanity mirror!

PACKAGE CONTENTS

1x Vanity Mirror
1x Power Adapter
1x User Manual

PRODUCT STRUCTURE

① Lighting Color Switch: Press to select bulb color.



①



②

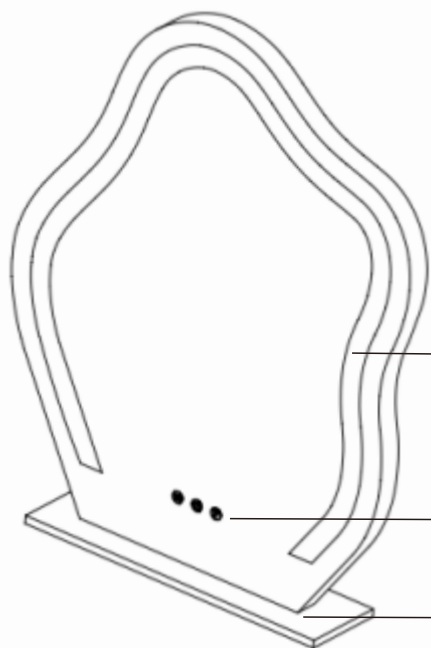


③

② Power Button (ON/OFF): Use to turn lights on/off.

③ Brightness Adjustment Button: Long press and hold to adjust bulb brightness.

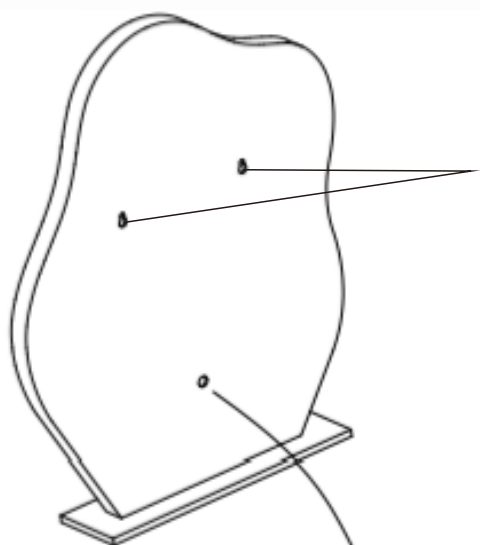
PRODUCT STRUCTURE



Luminescent Zone

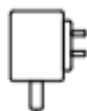
Smart Touch Button

PVC Base

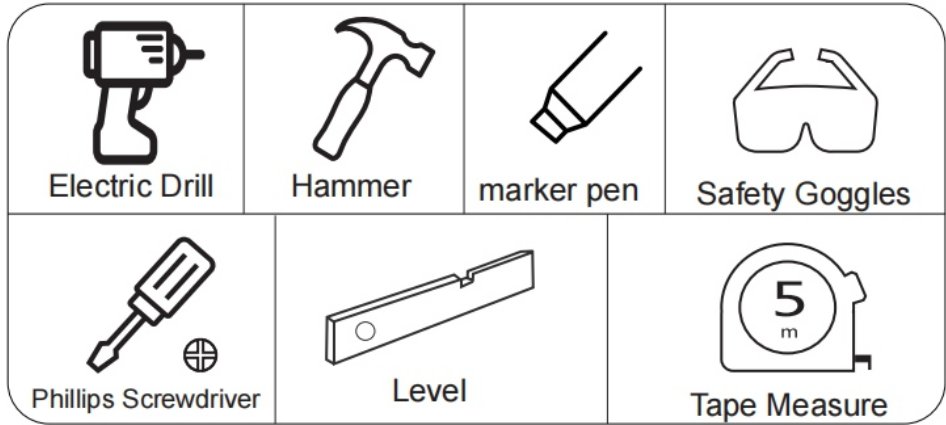


Suspension holes

Power Adapter

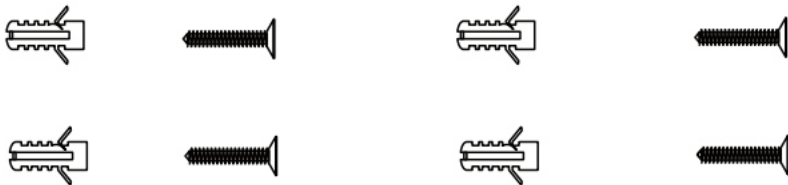


Installation tools



Accessories

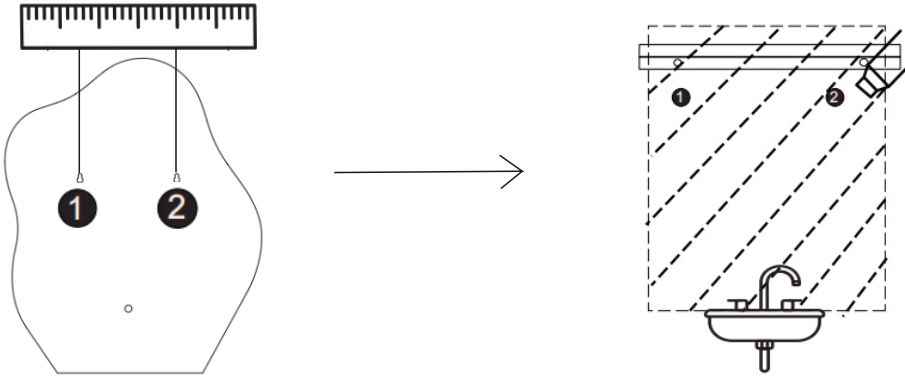
1. Check the accessories in the package as below:



Installation step

1. Measure the distance between the mirror hooks on the back of the mirror
2. After measure the distance, use the level ruler and maker pen to mark the hole positions and on the wall.
Choose the hanging method according to your preference (Vertical or Horizontal)
3. Drill pilot holes on the marked spots
Use an electric drill to punch two 1/4" (6mm) holes at the marked spots, and then apply wall anchors with hammer.
(1/4" (6mm) drill bit, drilling depth in 15/8" (40mm))

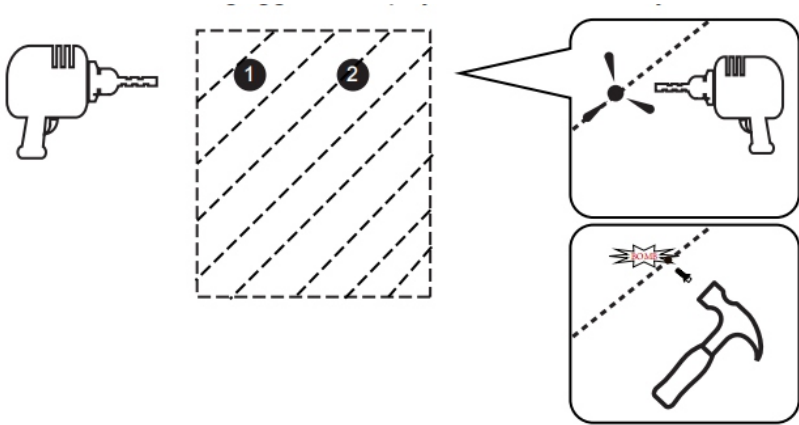
For example:



4. Drill pilot holes on the marked spots

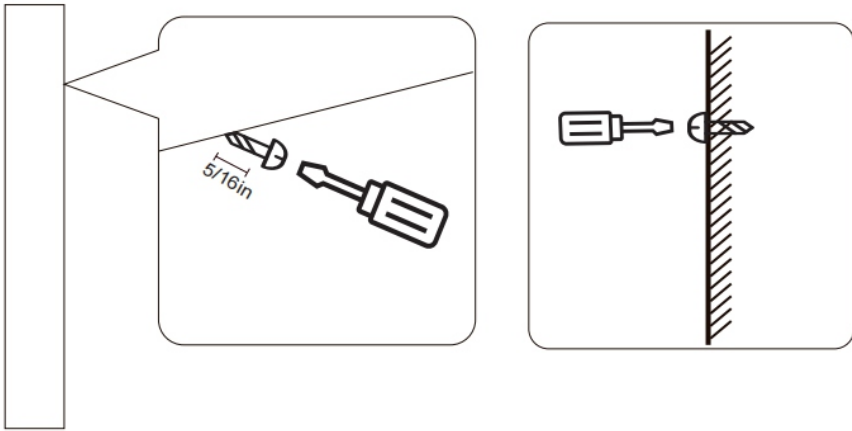
Use an electric drill to punch two 1/4" (6mm) holes at the marked spots, and then apply wall anchors with hammer.

(1/4" (6mm) drill bit, drilling depth in 15/8" (40mm))

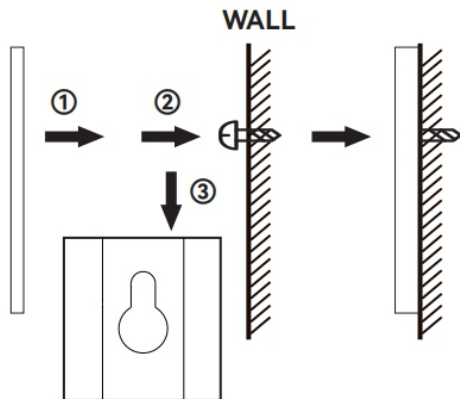
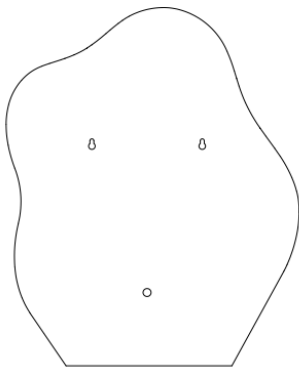


5. Insert the screw

Use the screwdriver to tighten the screw on the wall anchors, set aside 5/16" (7mm) distance to wall.



6. Mount the mirror on the wall and ensure it is sturdy
Hang the mirror on the wall (please confirm the hook is hanging on the screw safely when viewed from the side).



SAFETY INSTRUCTIONS

1. This product contains fragile glass components. Please handle with care and avoid knocking against or squeezing them.
2. Before using the vanity mirror, carefully inspect it for any signs of damage that may have occurred during transport. If you notice any damage, refrain from using or installing the mirror and contact our customer support.
3. Do not attempt to disassemble or replace any components of the mirror by yourself. Contact our authorized service center for any maintenance or repair needs.
4. Prior to cleaning, ensure that the vanity mirror is disconnected from the power supply to avoid electrical hazards.
5. Use a non-abrasive cleaner to wipe the mirror surface when cleaning to prevent damage. Avoid abrasive materials or harsh chemicals that could harm the mirror's finish.

WARRANTY

The Vanity Mirror with Lights is covered by our warranty for 2 years from the original date of purchase. In the event of any manufacturing defects or issues, please contact our customer service team via email, providing your order number and a detailed description of the problem. Our customer service representatives will promptly assist you and provide further instructions on the return or exchange process. Your satisfaction is our priority.