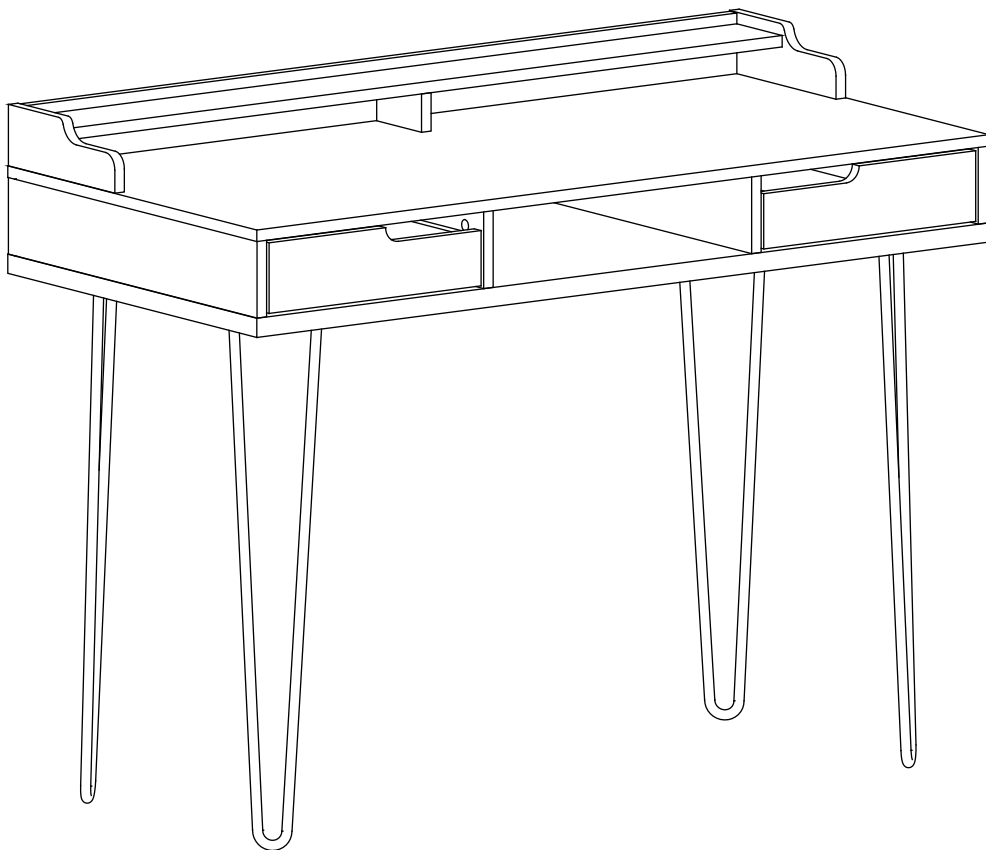


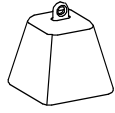


dg casa

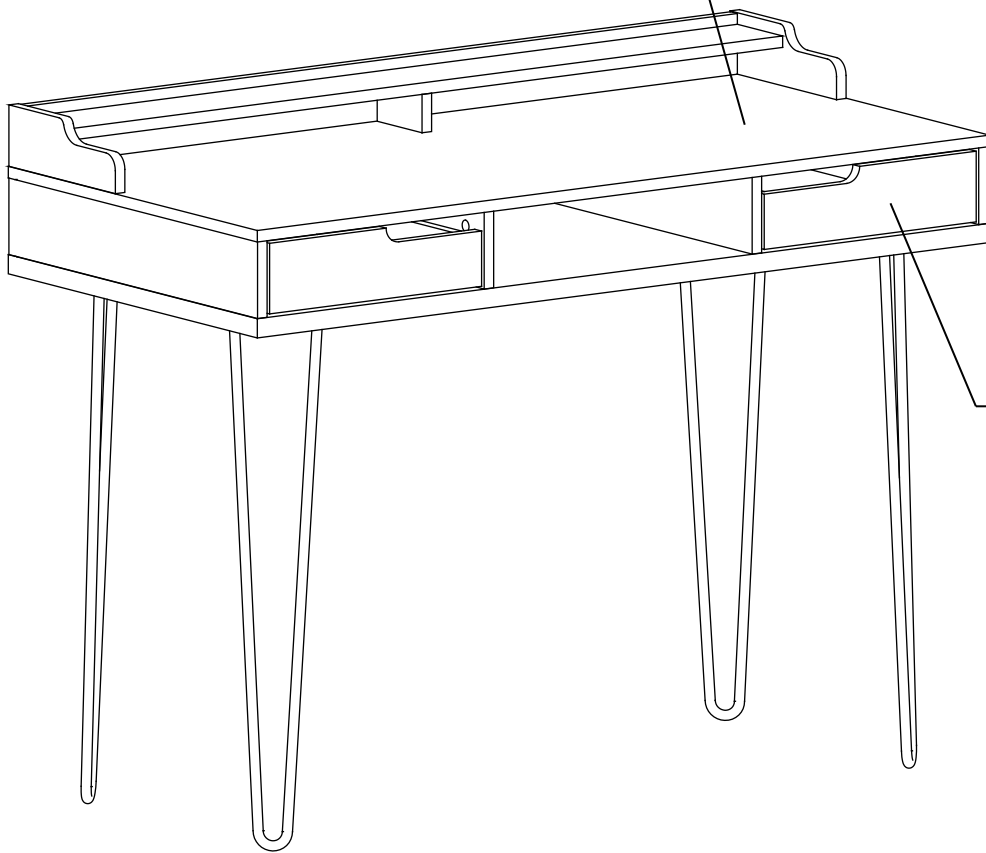
FURNITURE FOR YOUR LIFE



HUTCH DESK WITH METAL LEG



MAX : 66 lbs



MAX : 11 lbs



IMPORTANT INFORMATION

Seller and Manufacturer disclaim all and any liability for property damage, personal injury, or loss, direct, indirect, or incidental, resulting from the incorrect assembly, inadequate maintenance, improper use, or neglect of this product.

NOTICE

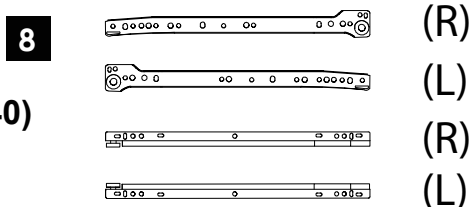
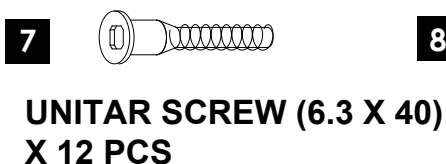
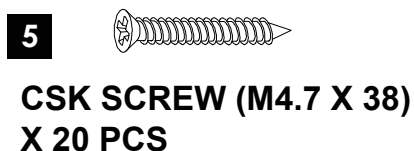
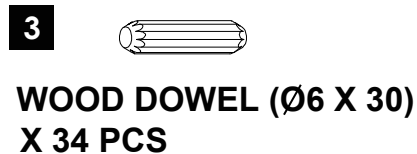
- Keep these assembly instructions for future reference.
- Do not use this product if there are missing, damaged, or broken parts until repairs are made and/or factory replacement parts are installed.
- Check all packing material carefully for small hardware that may have become loose inside the carton during shipment.
- Identify and count all hardware and parts to compare with parts and hardware list.
- Follow assembly instructions closely. Improper assembly can result in personal or property damage.
- Secure all bolts before use.
- Every 90 days check all bolts are secured.
- Some parts may have a sharp corner or edge and may be heavy.
- Do not use or store this product near open flames or around flammable chemicals.
- When placing contents on non-carpeted flooring, it's recommended to use floor protection such as an area rug or furniture pads. These are not included with the purchase.

REPLACEMENT PART OR HARDWARE REQUEST:

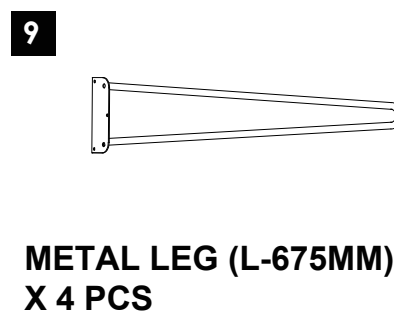
- Request a replacement by logging into the marketplace account in which the purchase was made and sending a message to the seller. To assist in expediting the request attach applicable images relevant to the request and/or part number and quantity.

HARDWARE & TOOL PARTS

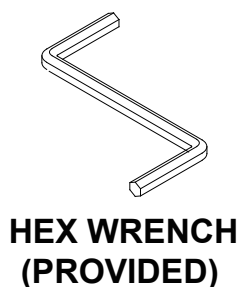
HARDWARE REQUIRED:



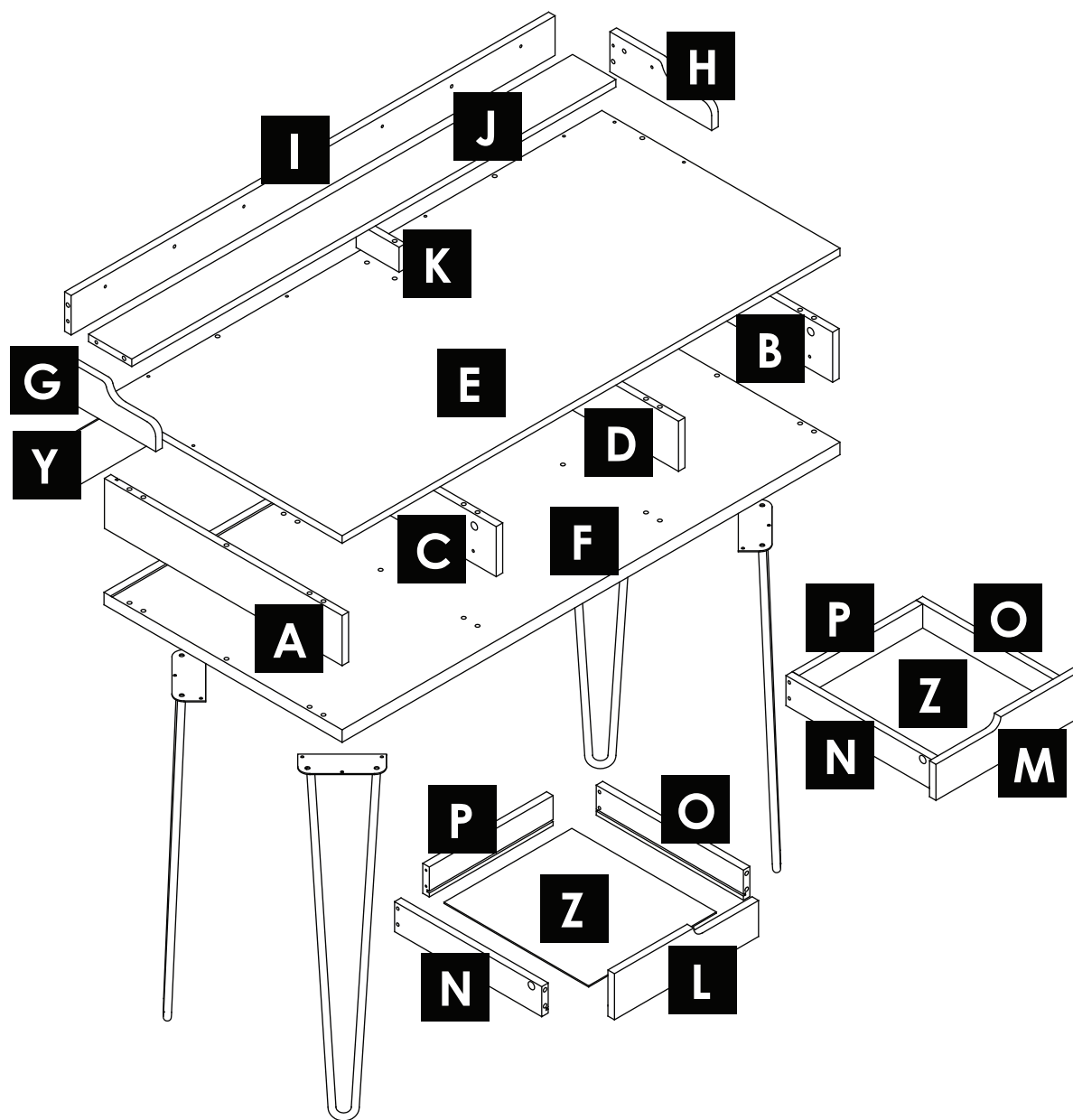
**DRAWER SLIDE (350MM)
X 2 SETS**



TOOLS REQUIRED:



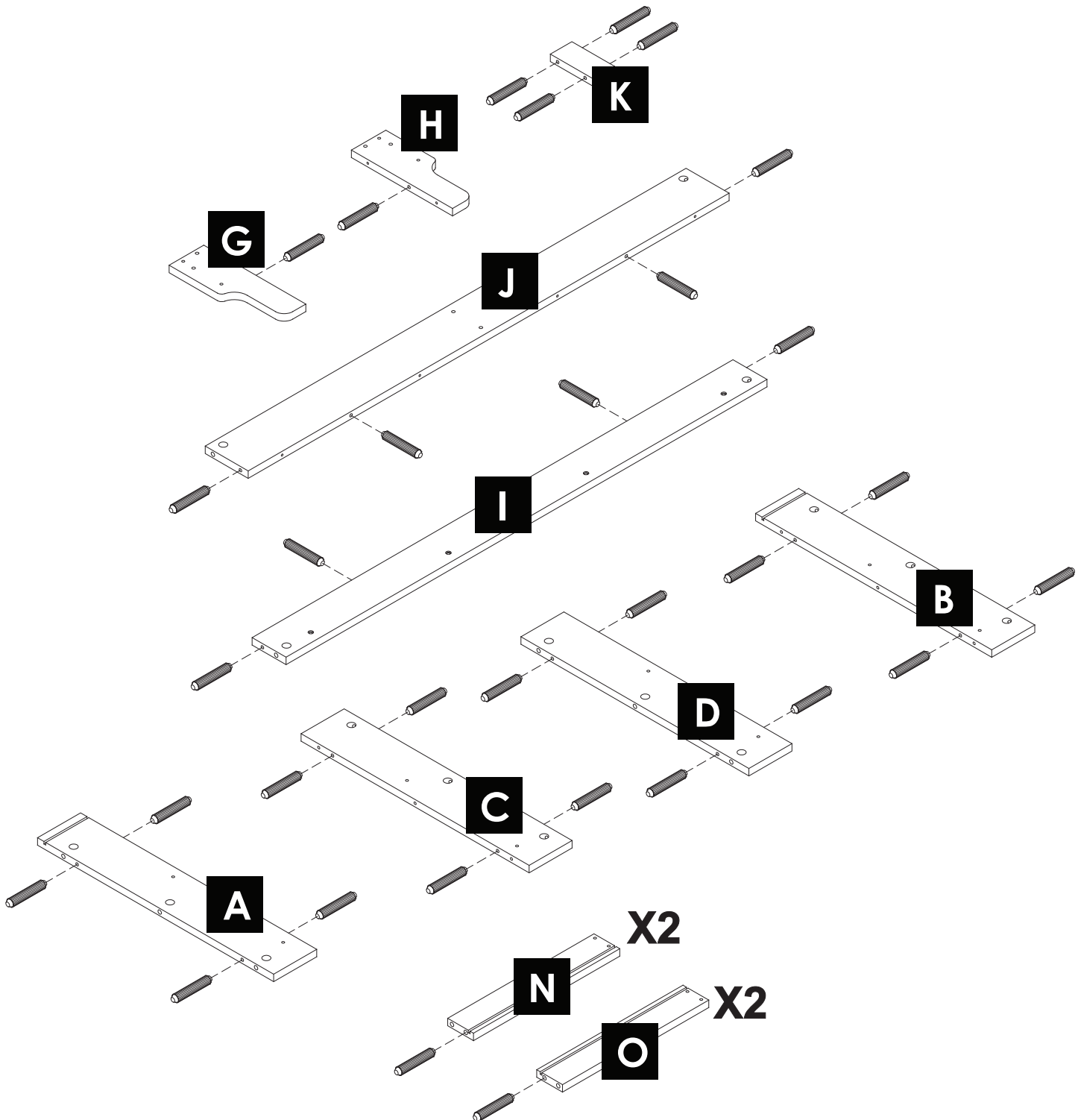
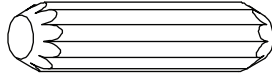
HUTCH DESK WITH METAL LEG ASSEMBLY PARTS



- | | |
|-------------------------------|--------------------------------|
| A.....Side Panel.....x 1 | J.....Top Shelf.....x 1 |
| B.....Side Panel.....x 1 | K.....Support Panel.....x 1 |
| C.....Partition Panel.....x 1 | L.....Drawer Front (L).....x 1 |
| D.....Partition Panel.....x 1 | M.....Drawer Front (R).....x 1 |
| E.....Top Panel.....x 1 | N.....Drawer Side (L).....x 2 |
| F.....Bottom Panel.....x 1 | O.....Drawer Side (R).....x 2 |
| G.....Side Top (L).....x 1 | P.....Drawer Back.....x 2 |
| H.....Side Top (R).....x 1 | Y.....Backply.....x 1 |
| I.....Top Back Panel.....x 1 | Z.....Drawer Bottom.....x 2 |

HUTCH DESK WITH METAL LEG - STEP 1

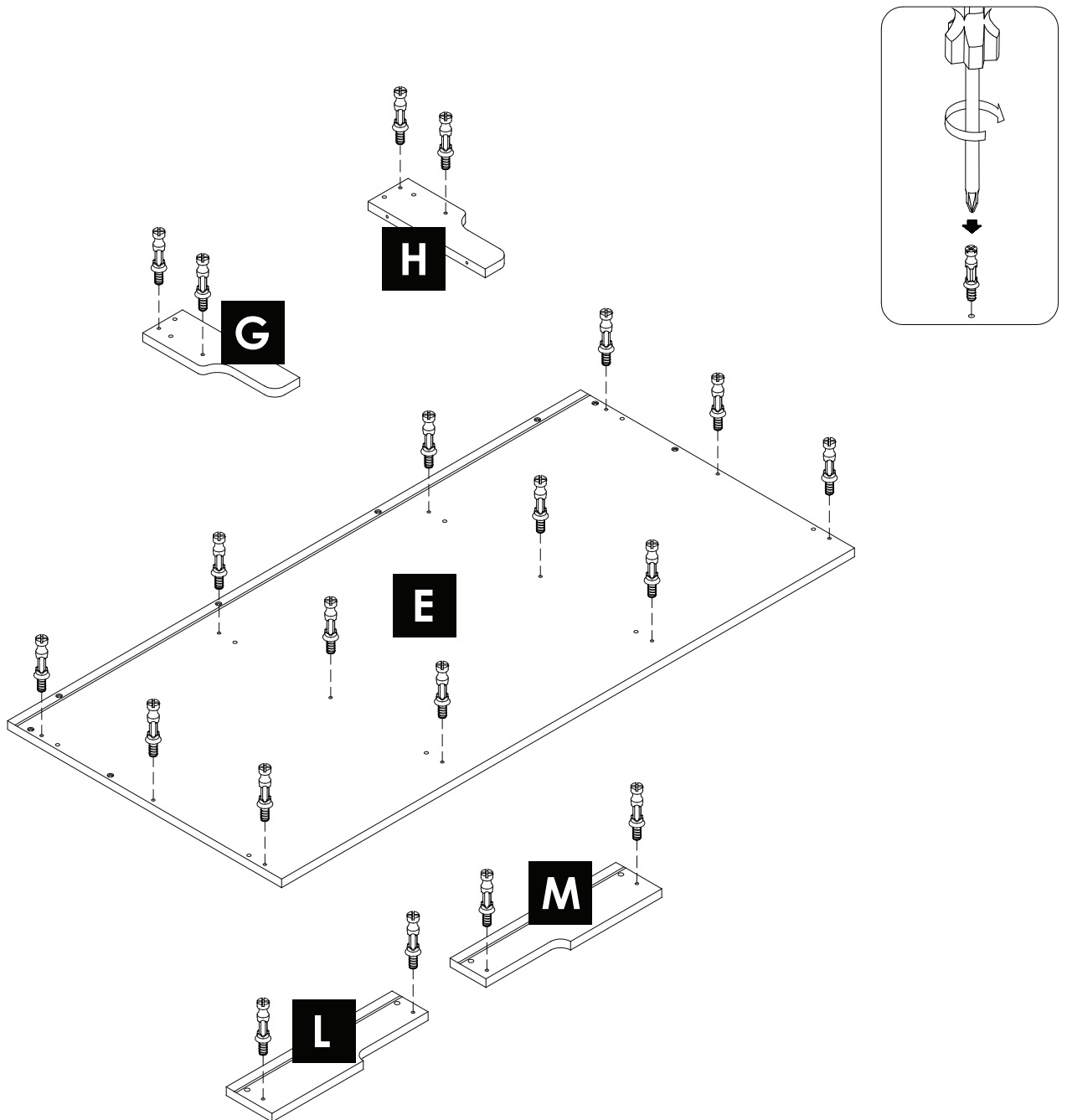
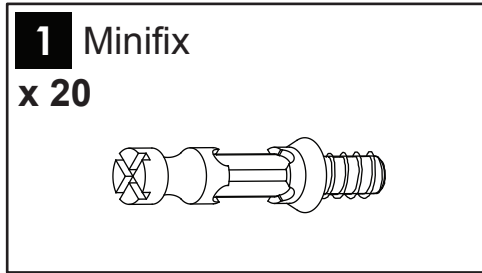
3 Wood Dowel (Ø6x30mm)
x 34



Insert all wood dowel in each panel as shown.

Note: Make sure all the dowel are insert into all panel without missing any hole.

HUTCH DESK WITH METAL LEG - STEP 2

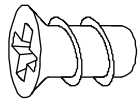


Insert Minifix on each panel and then use a screw driver to tighten up all.

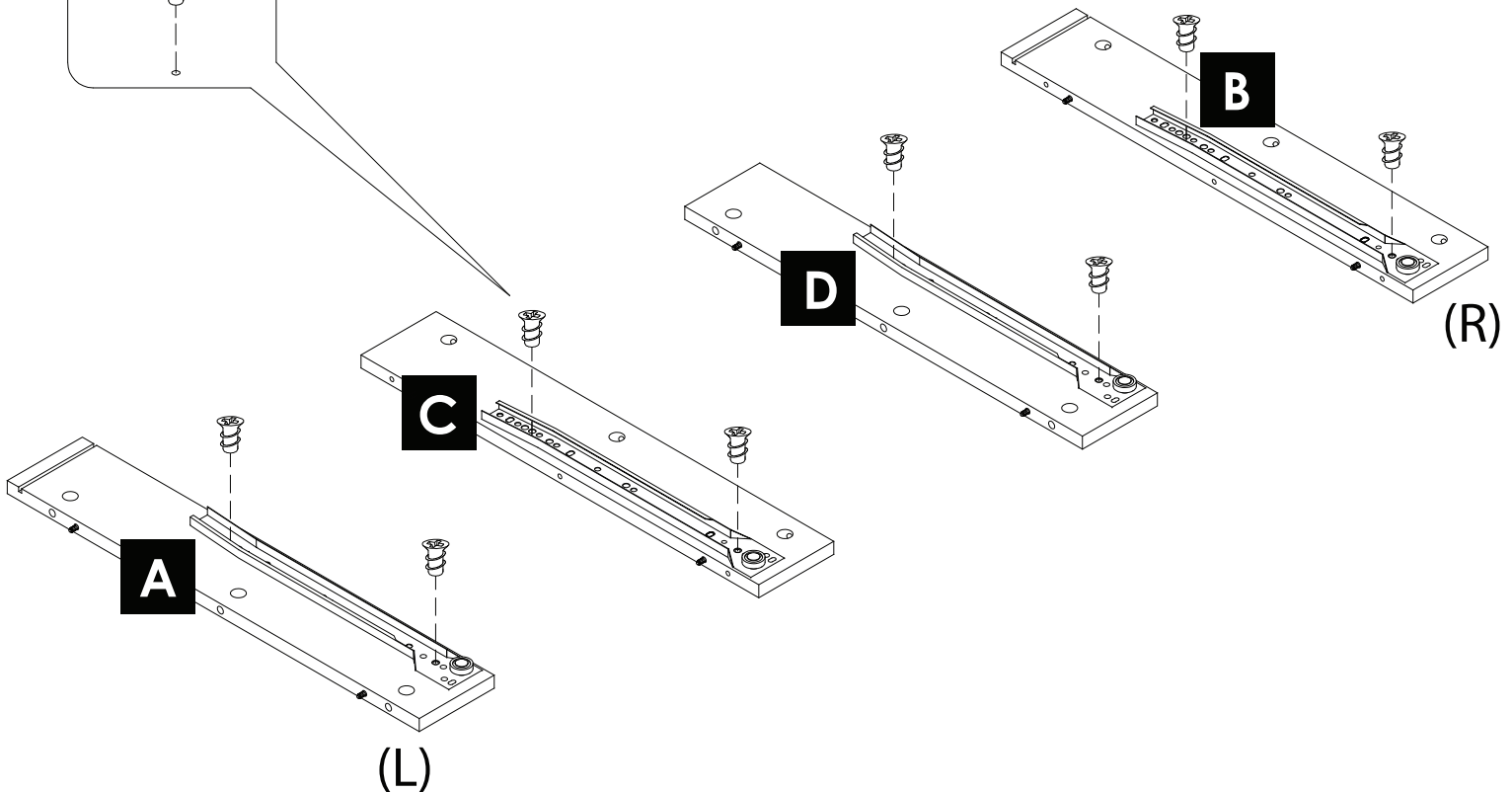
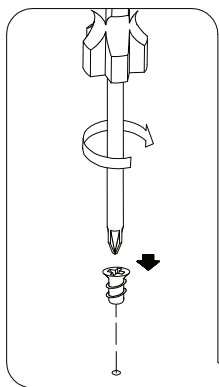
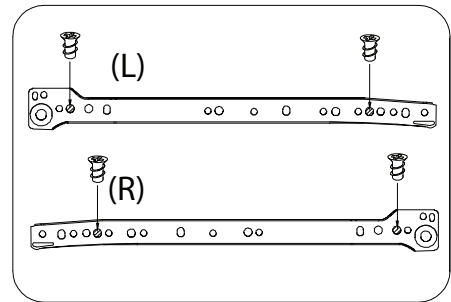
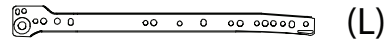
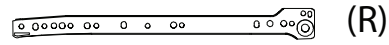
Note: Do not over tighten the Minifix it will cause issues when assemble all panel.

HUTCH DESK WITH METAL LEG - STEP 3

6 Euro Screw (6 x 9)
x 8



8 Drawer Slide (350mm)
x 2 SETS

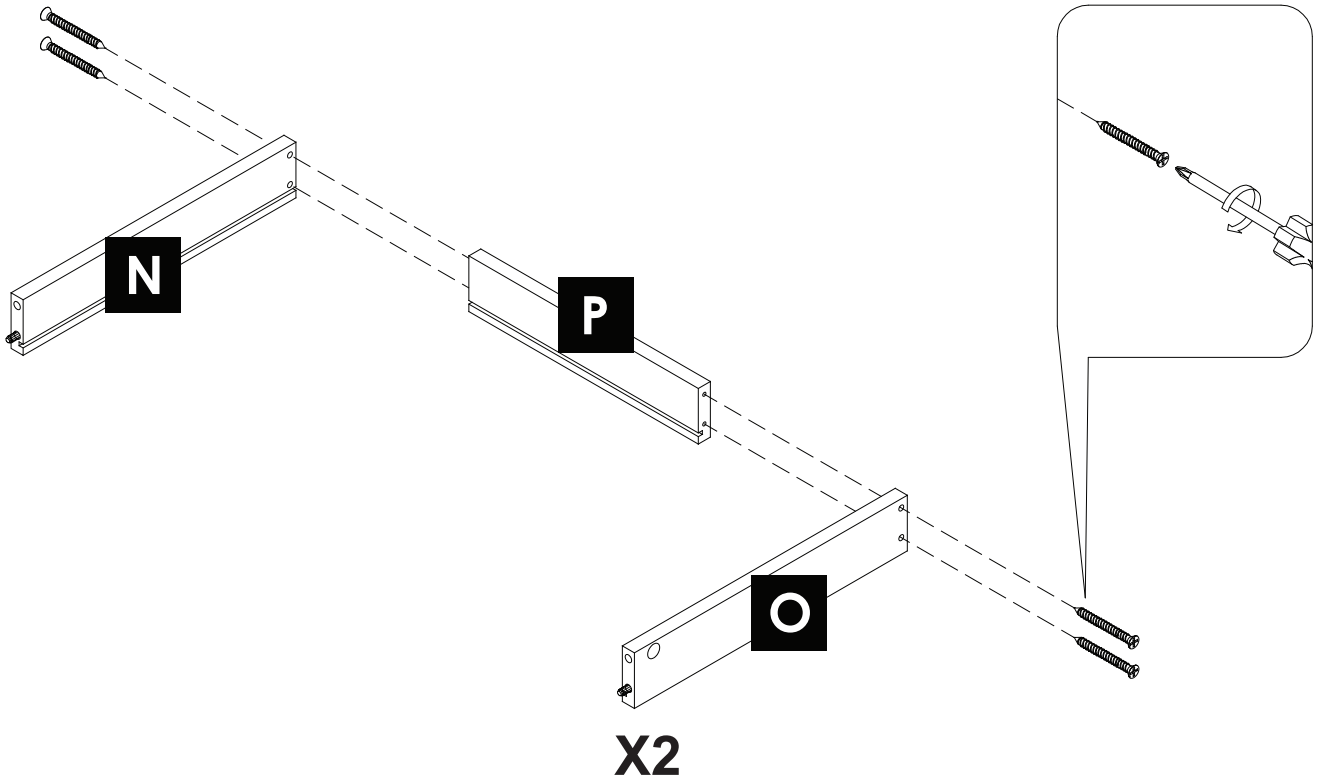
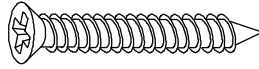


Attached drawer slide on Side panel A and B also Partition panel C and D then insert Euro screw and tighten using a screw driver.

Note: Make sure to insert the euro screw into the right hole so the drawer slide is in correct position.

HUTCH DESK WITH METAL LEG - STEP 4

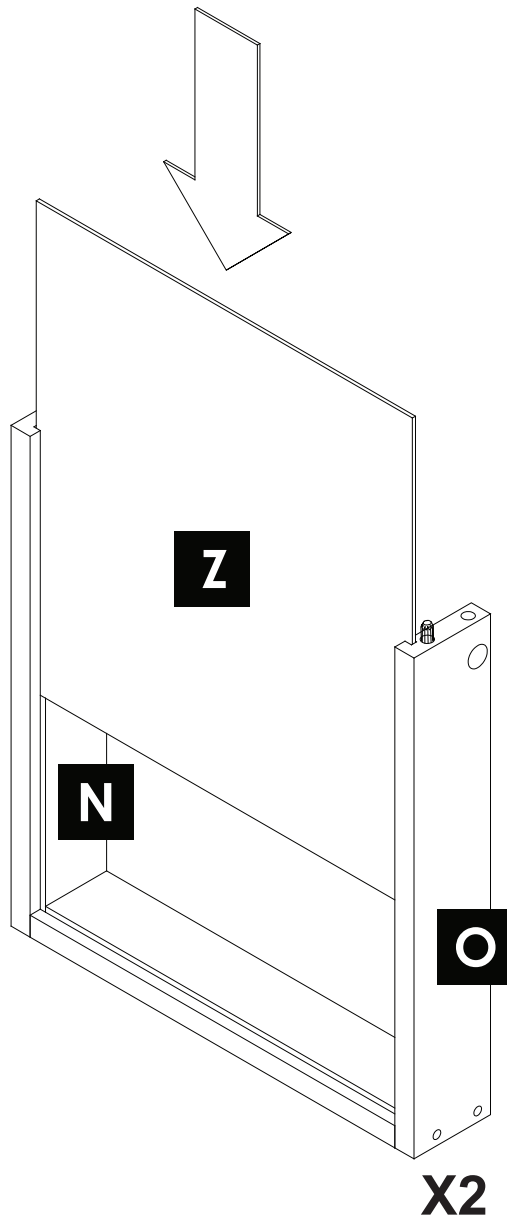
5 Csk Screw (M4.7 X 38)
x 8



Attached drawer side N to drawer back P and use Csk screw and tighten it with a screw driver and repeat for drawer side O.

IMPORTANT: Fully tighten all Csk screw on all 2 drawer.

HUTCH DESK WITH METAL LEG - STEP 5

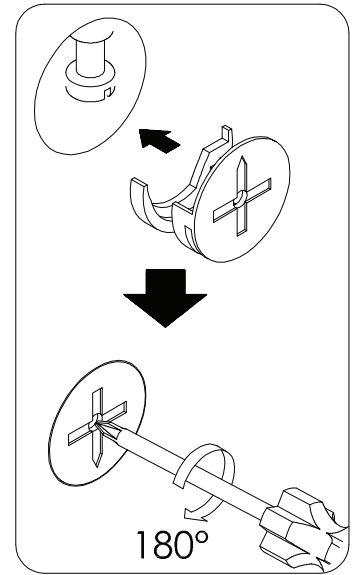
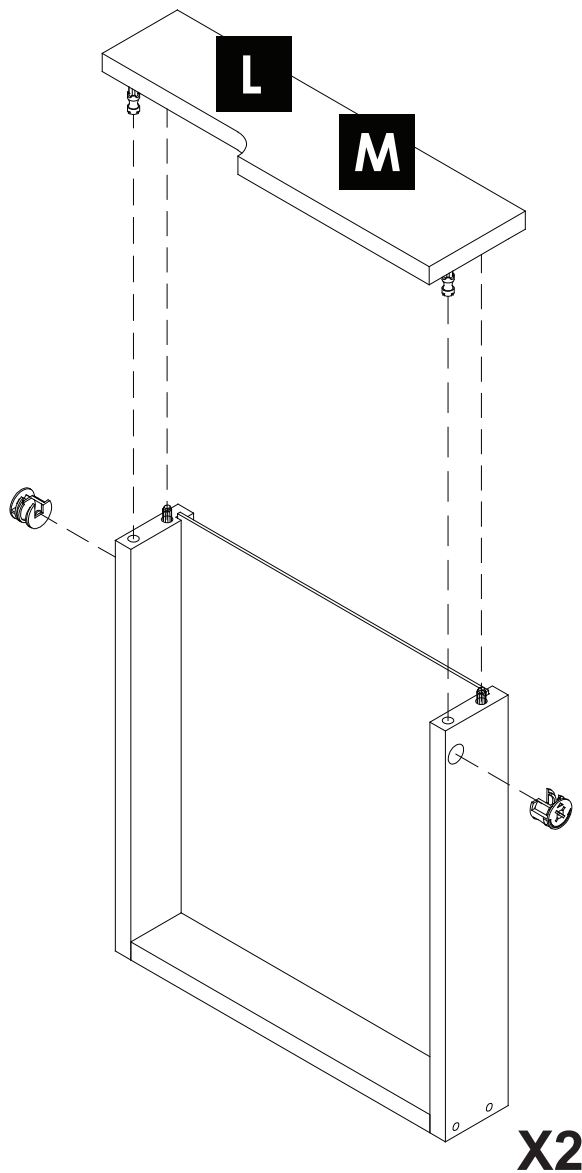
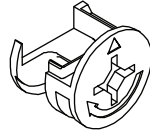


Insert the Drawer bottom Z between Drawer side N and O.

IMPORTANT : Make sure Drawer bottom Z were inserted onto drawer back for all 2 drawer.

HUTCH DESK WITH METAL LEG - STEP 6

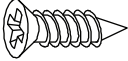
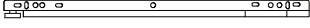
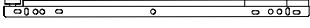
2 Cam (12/15)
x 4

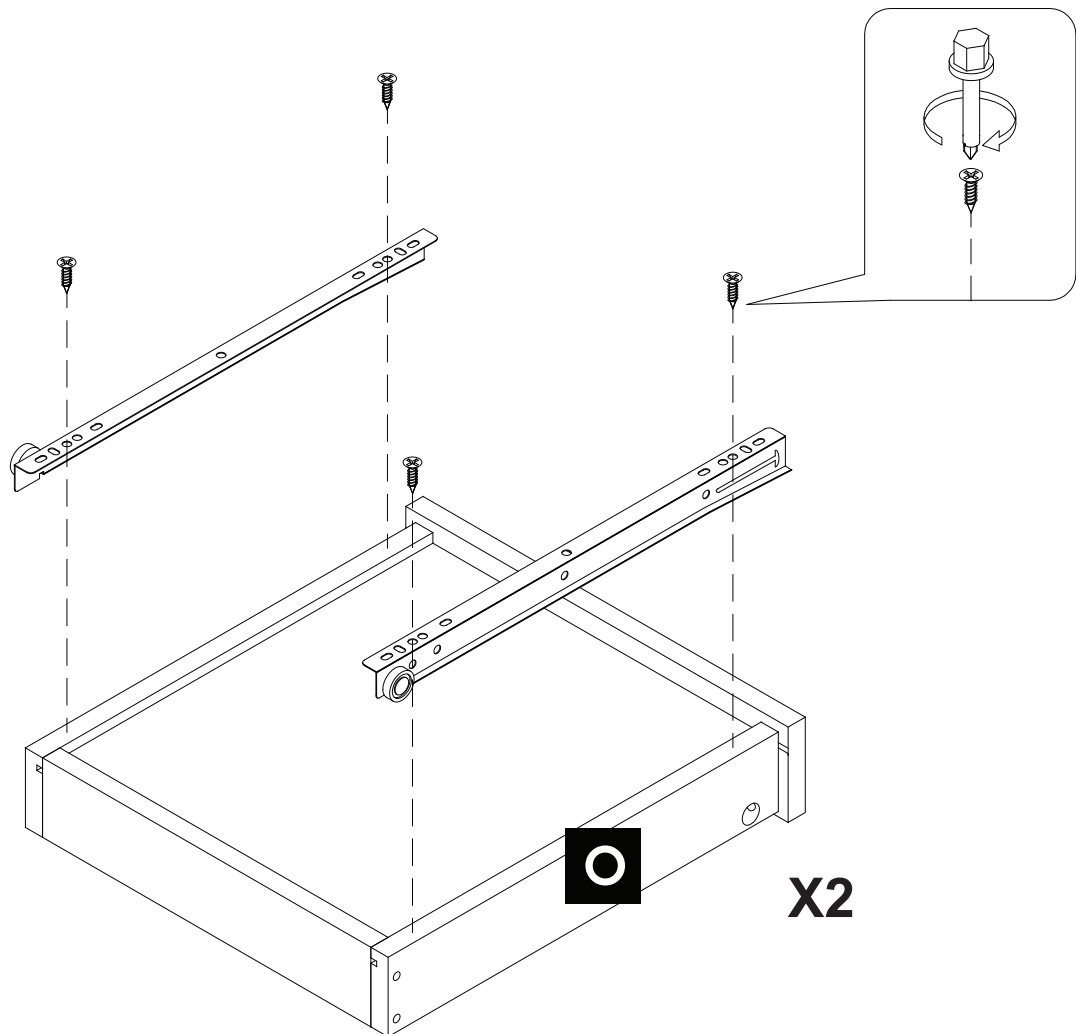
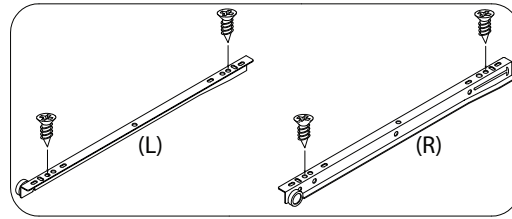


Attach Drawer Front L & M on the drawer and insert Cam (12/15) on each side of the drawer side and tighten it with screw driver.

Note: Make sure to refer the picture were shown how to position the Cam correctly.

HUTCH DESK WITH METAL LEG - STEP 7

4 Csk Screw (3.5 X 15) x 8	8 Drawer Slide (350mm) x 2 Sets
	 (R)  (L)



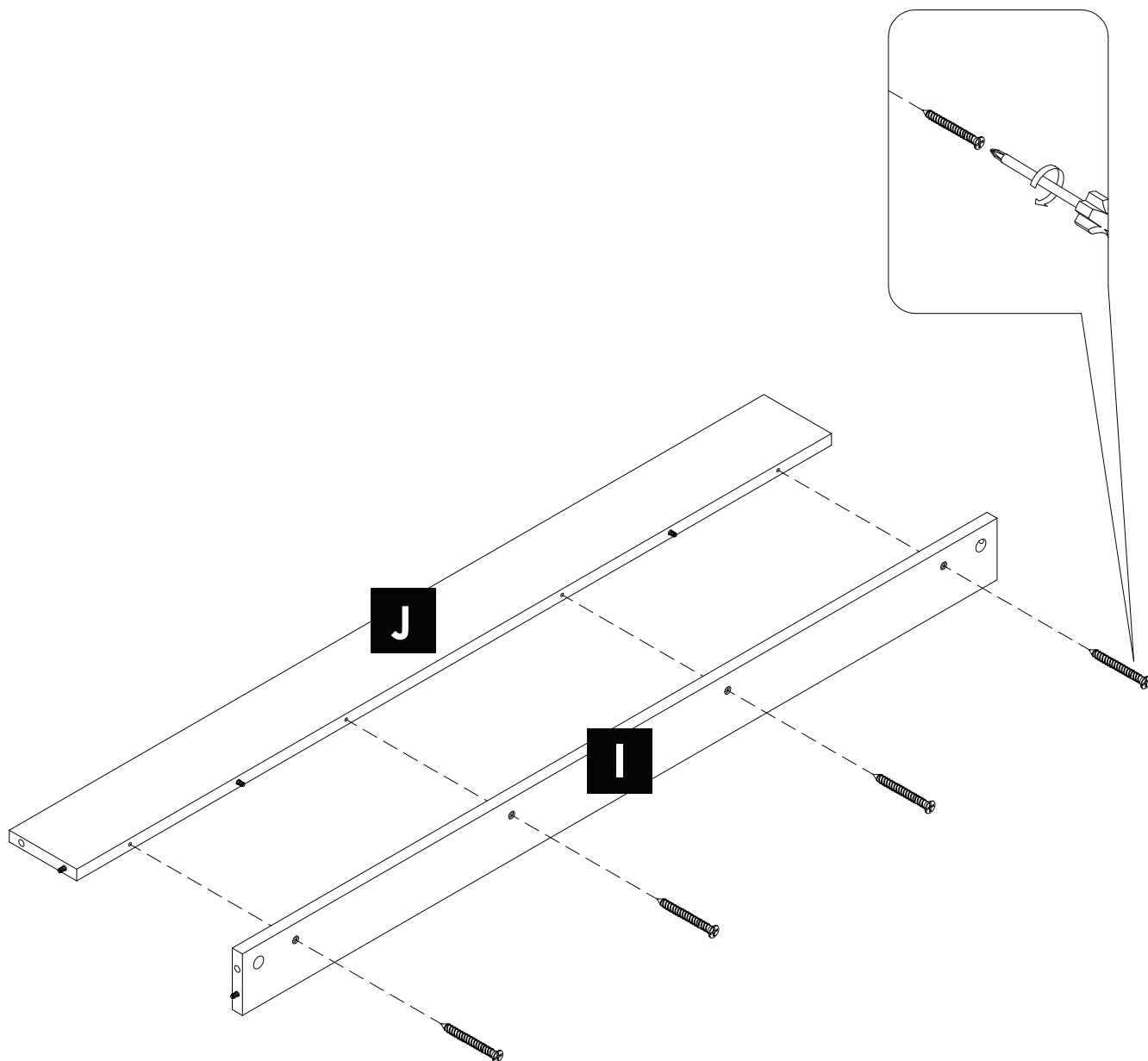
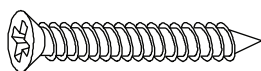
Attach Drawer slide (350mm) and then use ph1 screw driver to tighten Csk screw (3.5 X 15).

Note: Repeat the same step for all 2 drawer and make sure to put the drawer slide in the right position.

HUTCH DESK WITH METAL LEG - STEP 8

5 Csk Screw (M4.7 X 38)

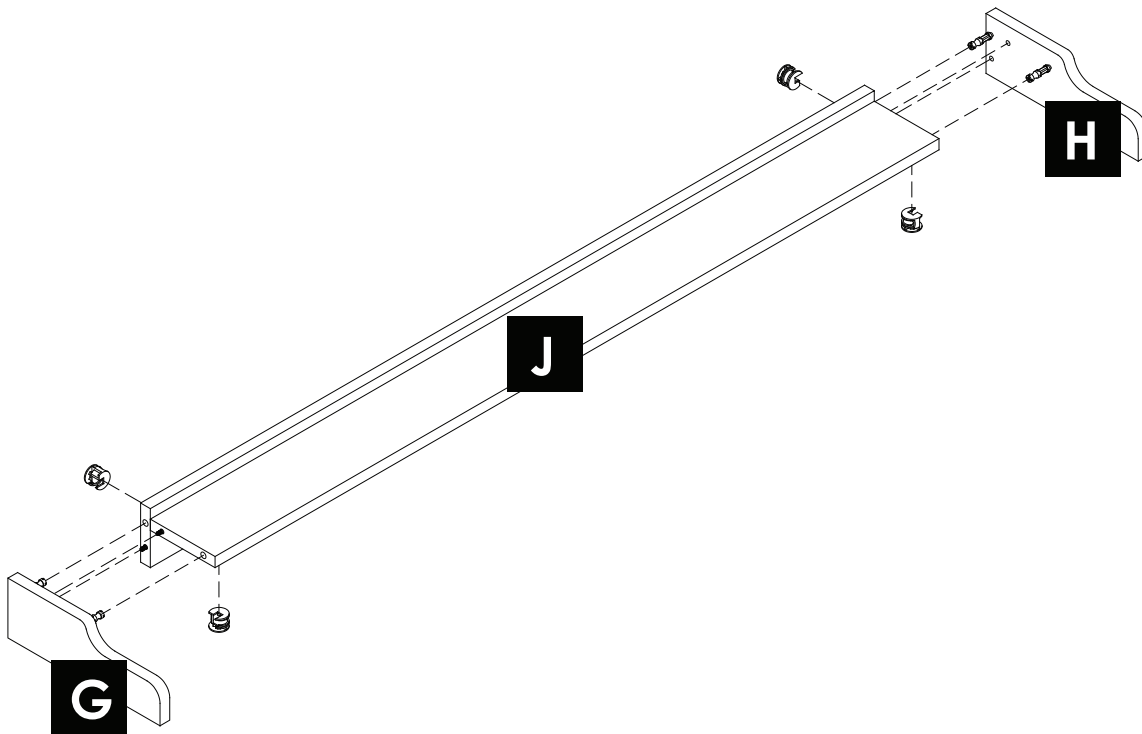
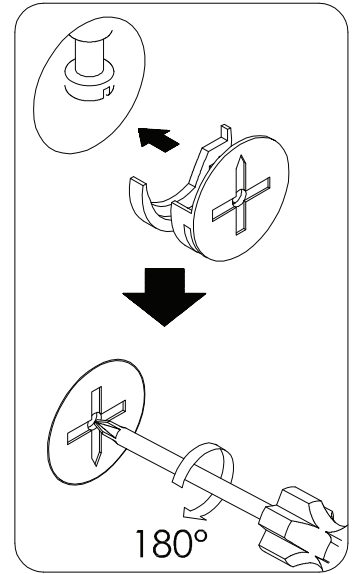
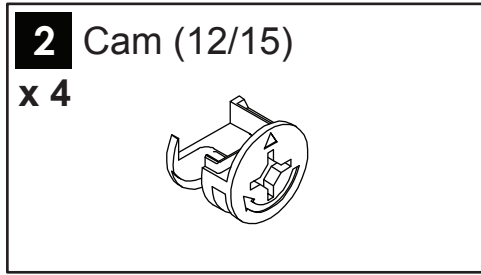
x 4



Attached the Top shelf J to Top back panel I and Insert Csk screw and tighten it with a screw driver.

IMPORTANT: Fully tighten all Csk screw on that panel.

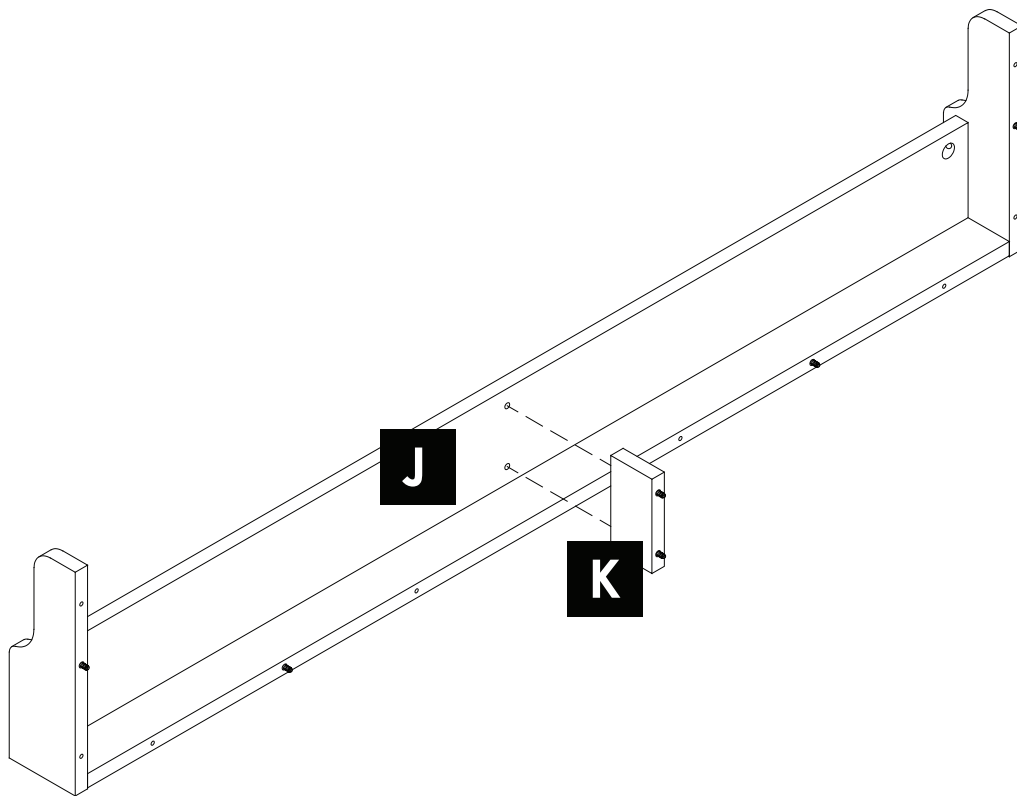
HUTCH DESK WITH METAL LEG - STEP 9



Attach Side Top G and H to Top shelf J and insert Cam (12/15) then use a screw driver to tighten it.

Note: Make sure to refer the picture were shown how to position the Cam correctly.

HUTCH DESK WITH METAL LEG - STEP 10

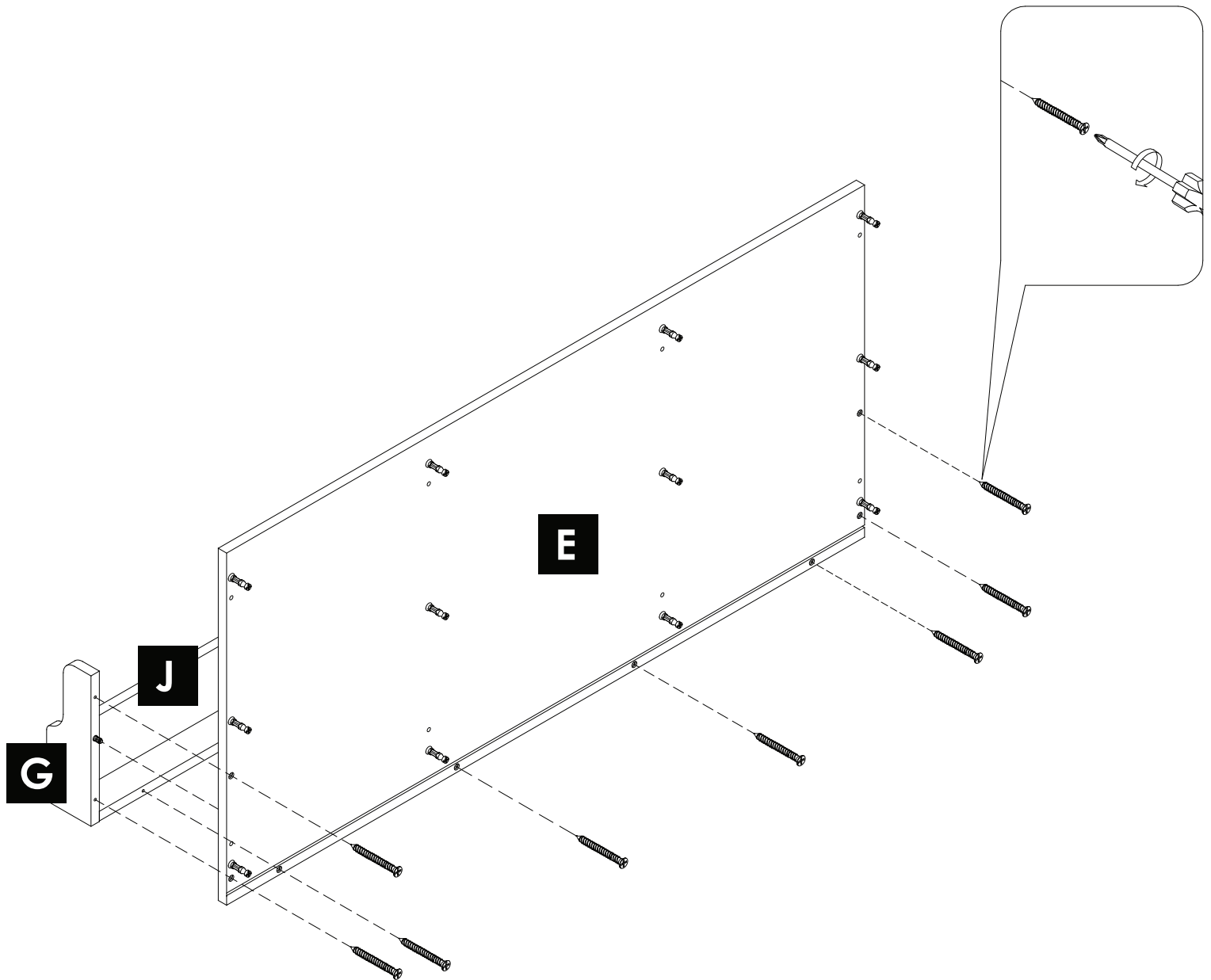
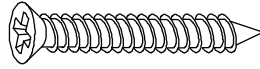


Attach Support panel K to Top shelf J.

Note: Make sure to attach panel K on to Panel J correctly.

HUTCH DESK WITH METAL LEG - STEP 11

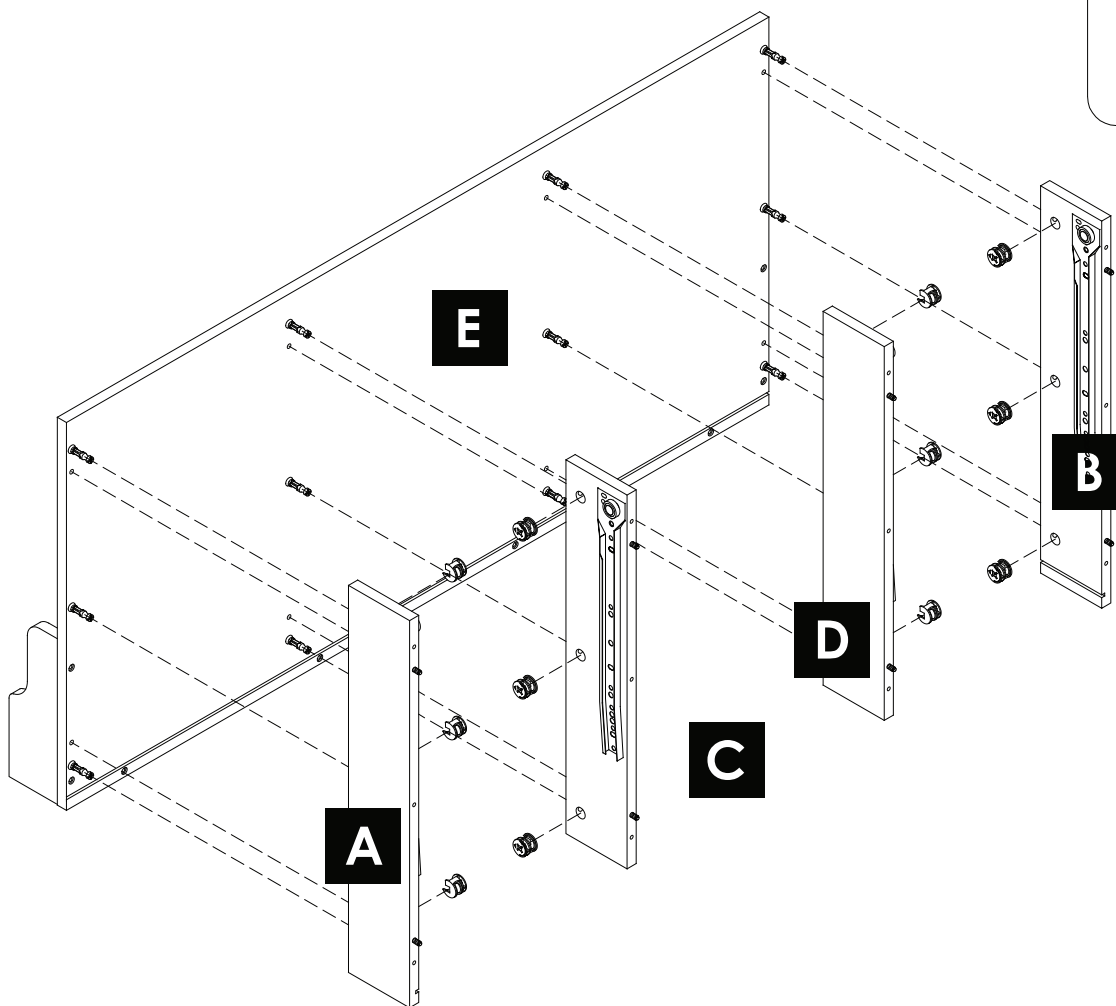
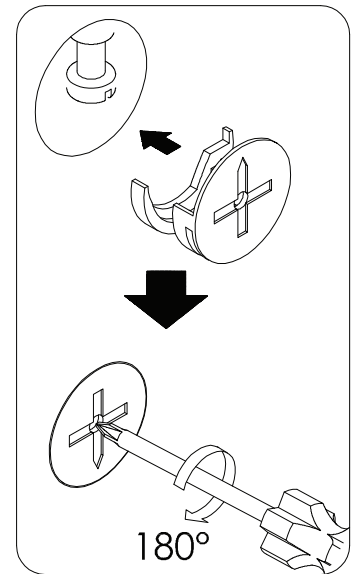
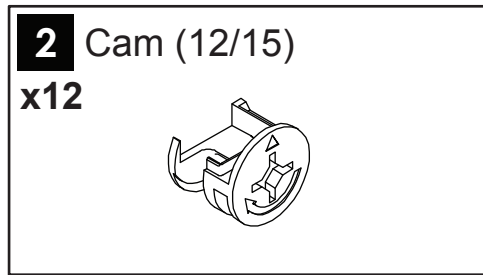
5 Csk Screw (M4.7 X 38)
x 8



Attached panel G,H,I,J and K that already assemble to Top panel E and insert Csk screw then tighten it with a screw driver.

IMPORTANT: Fully tighten all Csk screw on that panel.

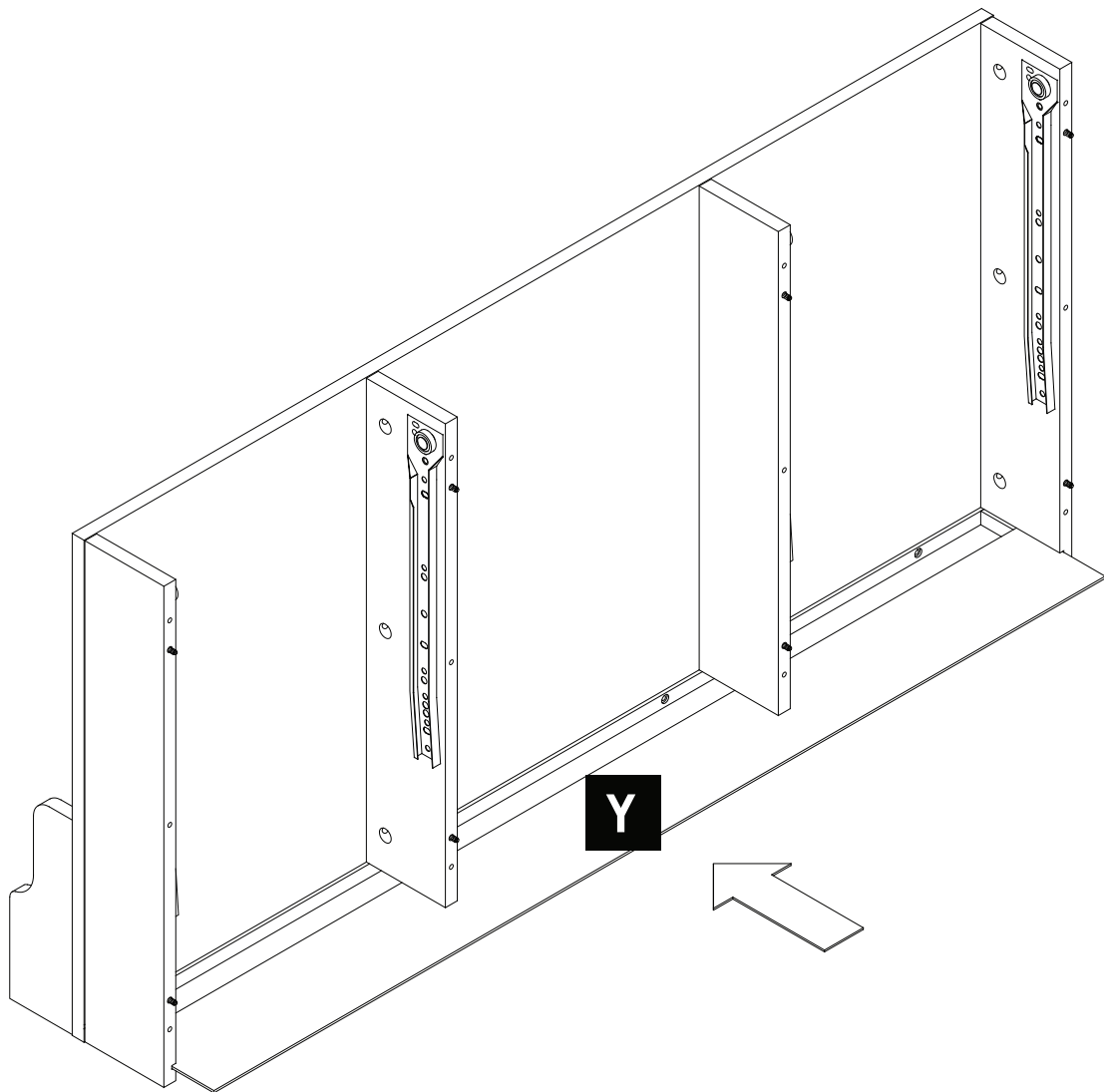
HUTCH DESK WITH METAL LEG - STEP 12



Attach Side panel A,B and Partition panel C and D to Top panel E and insert Cam (12/15) on each panel then tighten it with screw driver.

Note: Make sure to refer the picture were shown how to position the Cam correctly.

HUTCH DESK WITH METAL LEG - STEP 13

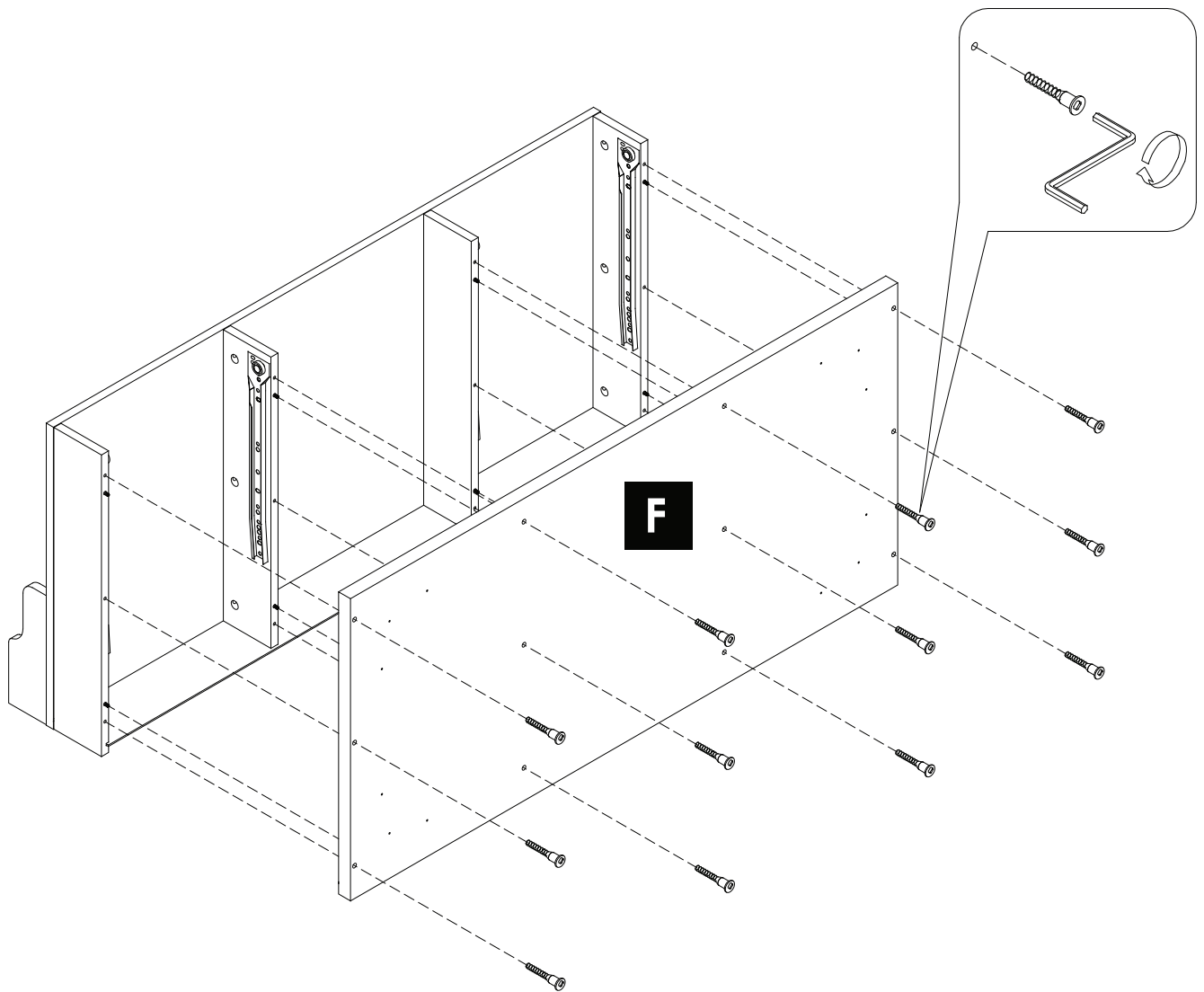
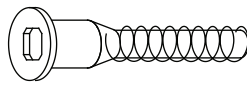


Insert the Backply Y on back side of the panel as shown.

Note: Make sure to put the backply according to the groove at the back side.

HUTCH DESK WITH METAL LEG - STEP 14

7 Unitar Screw (6.3 X 40)
x 12

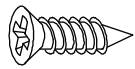


Attach Bottom panel F to the other panel that already assemble, then insert Unitar screw and tighten it with a Hex wrench.

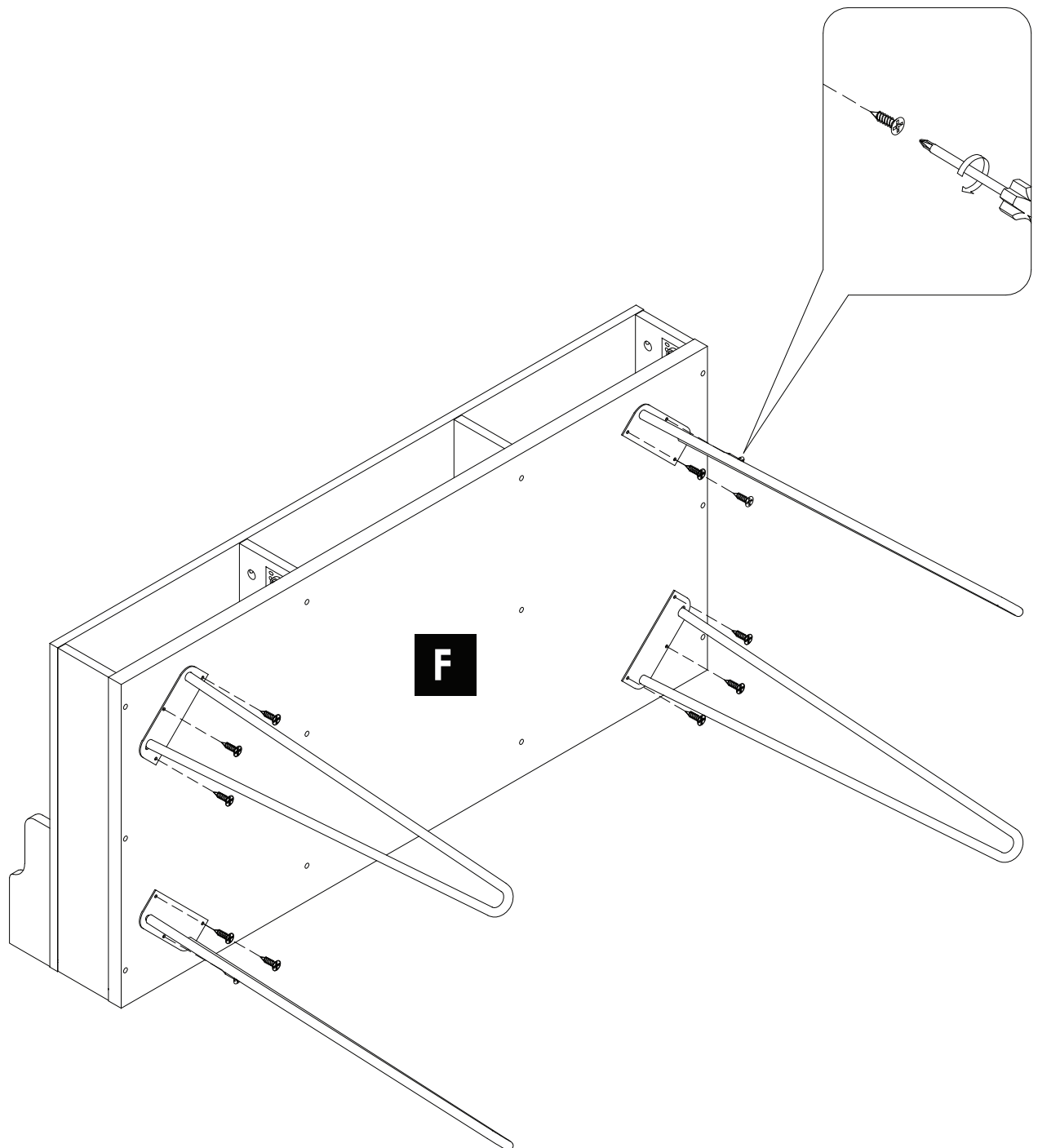
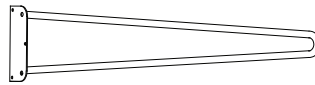
Note: Make sure do not over tighten the unitar screw.

HUTCH DESK WITH METAL LEG - STEP 15

4 Csk Screw (3.5 X 15)
x 12



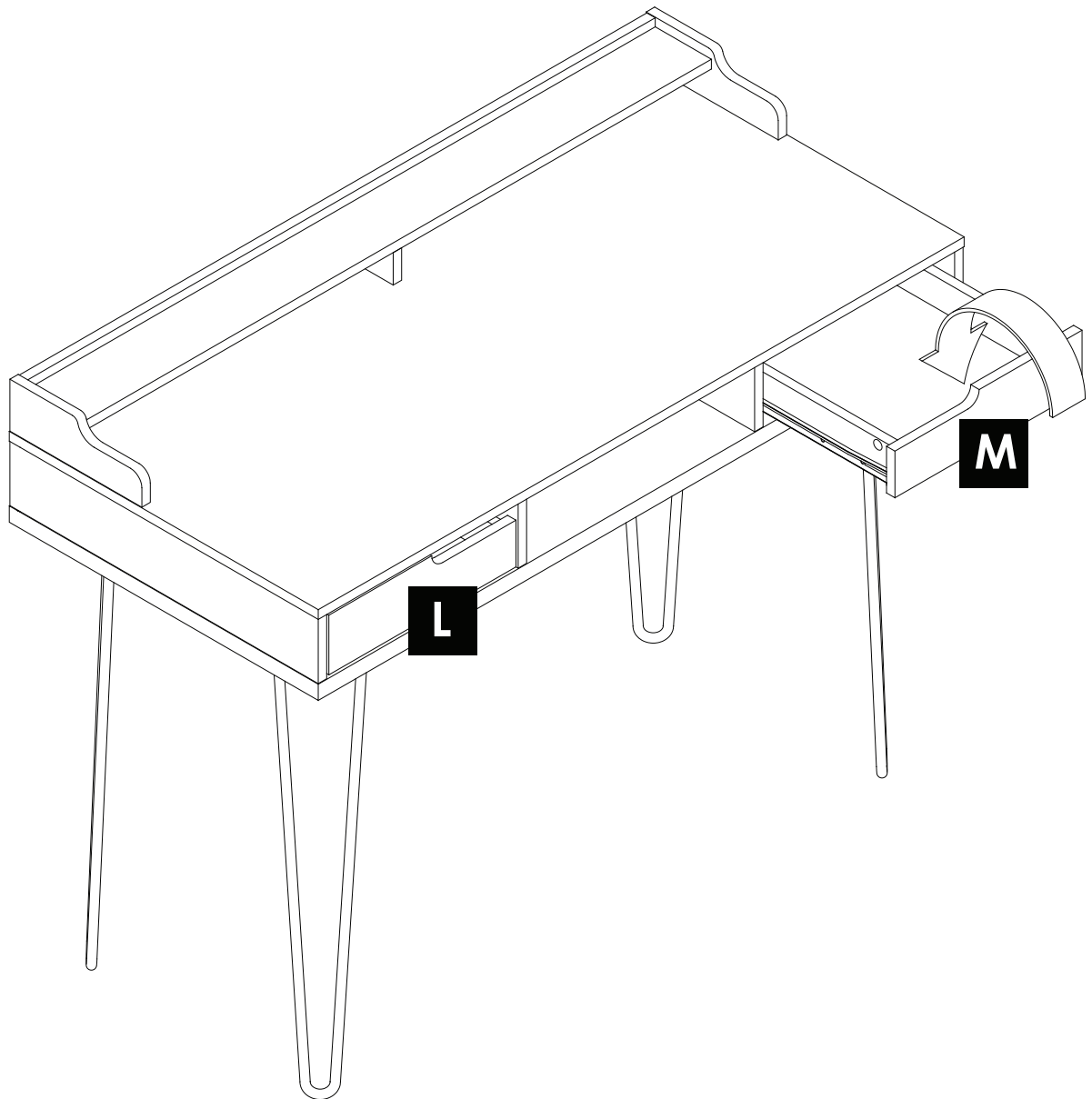
9 Metal Leg (L-675mm)
x 4



Attach the Metal leg to Bottom panel F and insert Csk screw (3.5 x 15) then tighten it with a screw driver.

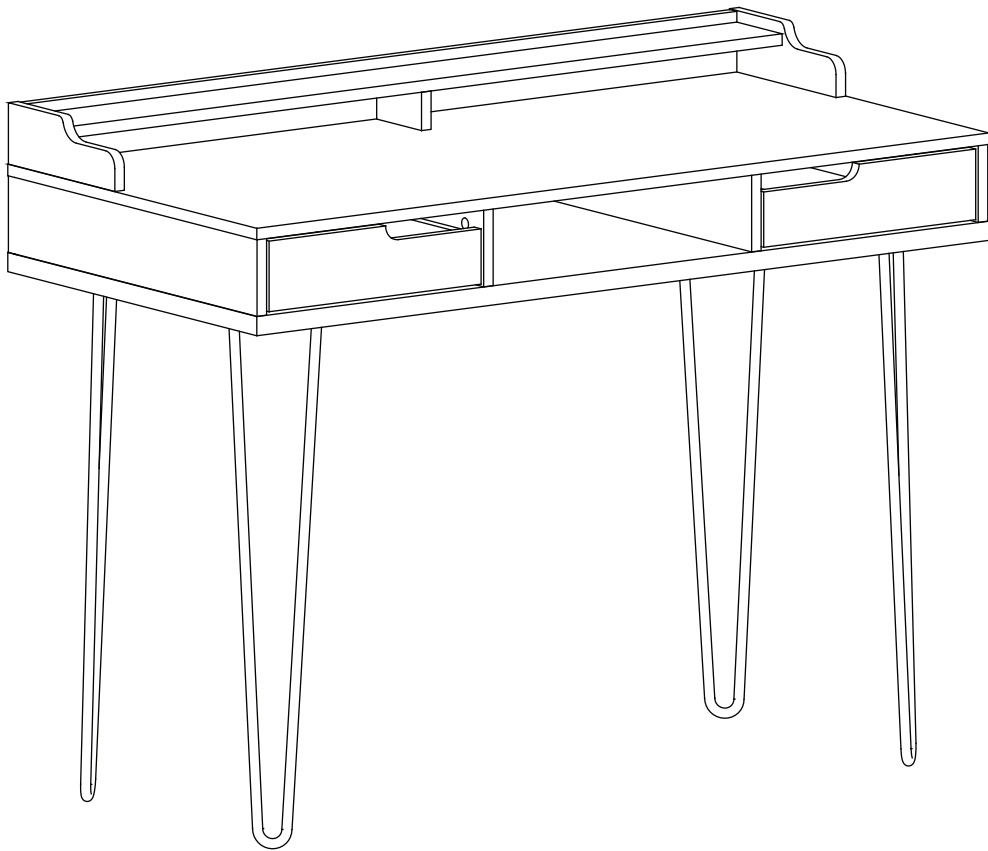
Note: Make sure to tighten all csk screw.

HUTCH DESK WITH METAL LEG - STEP 16



Carefully insert the drawer one by one in the Hutch Desk With Metal Leg by referring the picture.

ASSEMBLY COMPLETE



Enjoy your new Hutch Desk With Metal Leg!