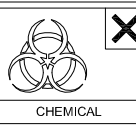
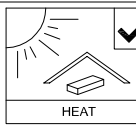




SOFT, DRY CLOTH



CHEMICAL



HEAT



KEEP DRY



HANDLE WITH CARE



DO NOT USE KNIFE

# ASSEMBLY INSTRUCTION

DESCRIPTION : STORAGE CABINET

## HARDWARE

**A**  
WOOD DOWEL  
8 X 25  
1X8

**B**  
CB SCREW  
M3.5X16MM  
1X32

**C**  
CSK CAP  
WOOD  
M6X50MM  
1X4

**D**  
NAIL 6/8  
1X22

**E**  
ALLEN KEY  
1X1

**F**  
METAL SHELF  
SUPPORT  
1X4

**G**  
MINIFIX (HOUSING)  
MINIFIX (EURO 24)  
MINIFIX CAP  
4 SETS

**H**  
2 PIN  
STOPPER  
1X1

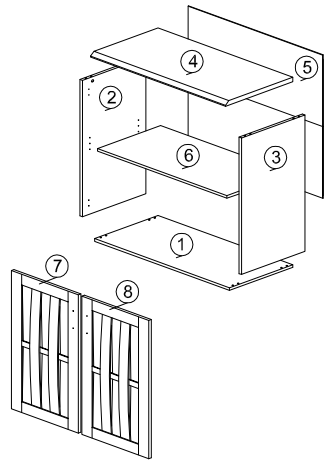
**I**  
HANDLE 1106  
-96  
1X2

**I2**  
HANDLE  
SCREW  
M4X19MM  
1X4

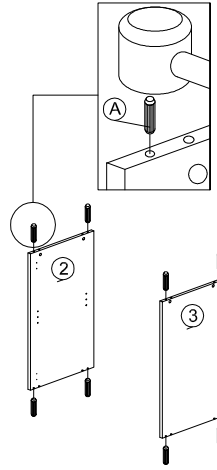
**J**  
HINGES 5/8  
4 SETS

**K**  
38100 PVC  
LEG  
1X4

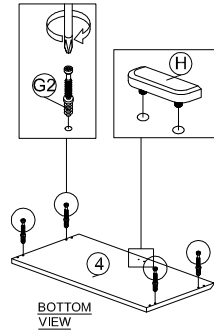
## PART LIST



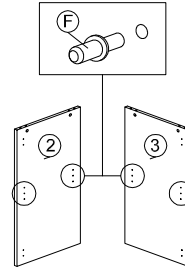
## STEP 1



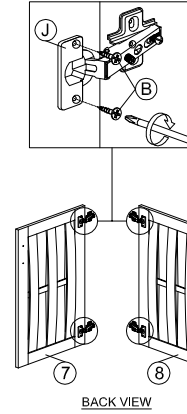
## STEP 2



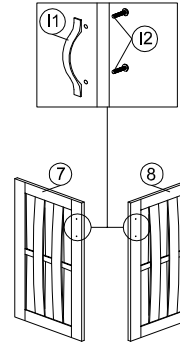
## STEP 3



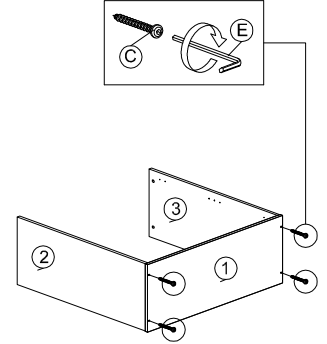
## STEP 4



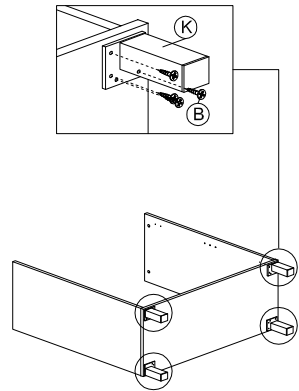
## STEP 5



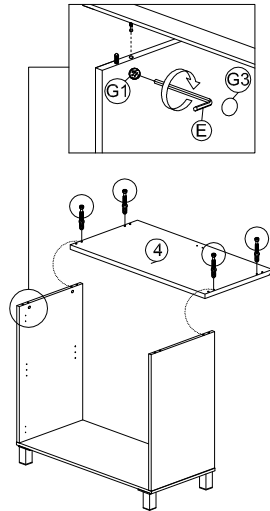
## STEP 6



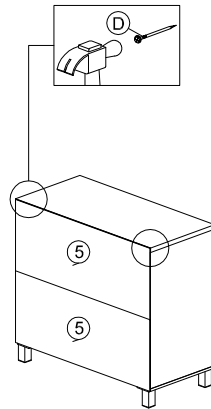
## STEP 7



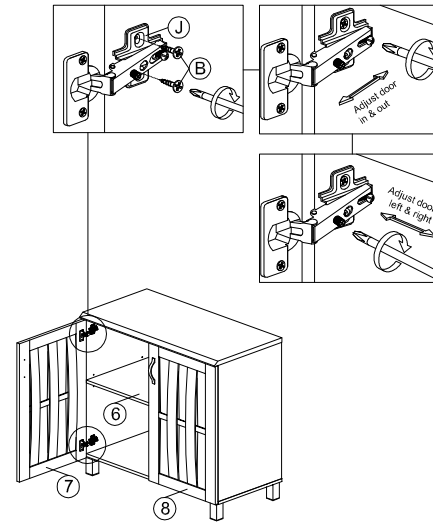
## STEP 8



## STEP 9



## STEP 10



## COMPLETED

