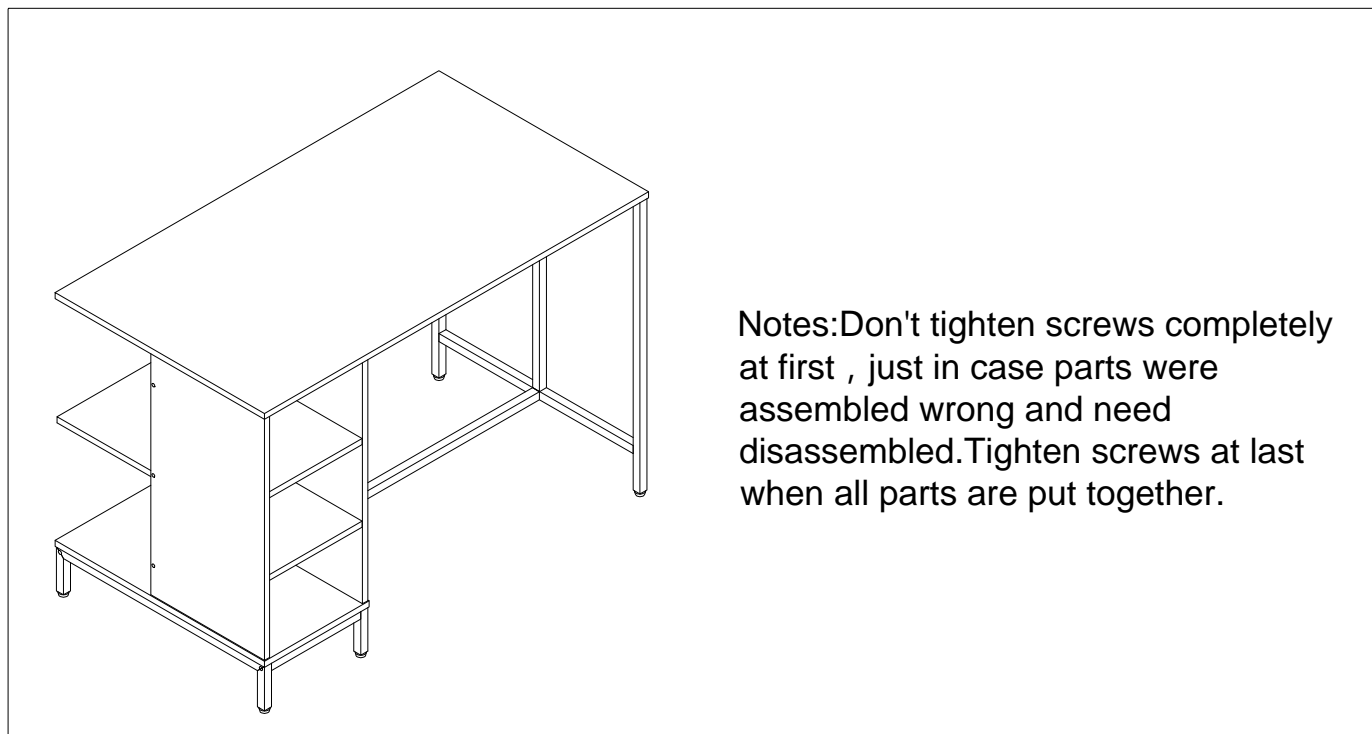
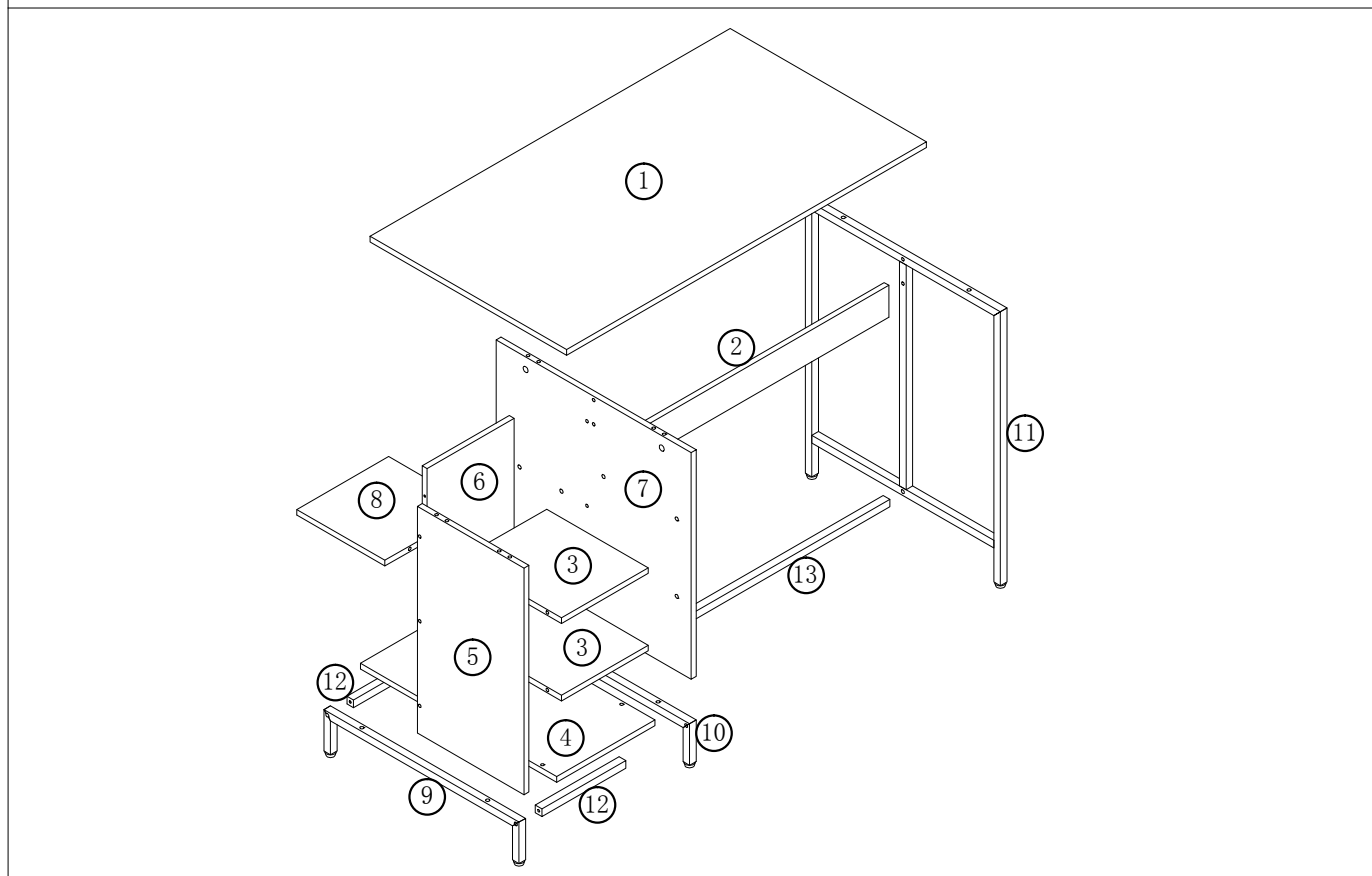






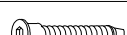

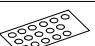
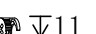





ASSEMBLY INSTRUCTION

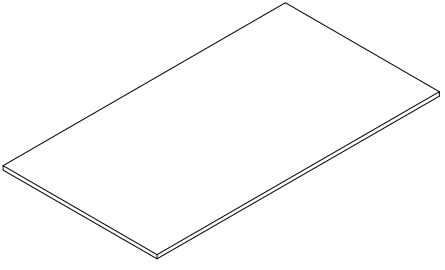
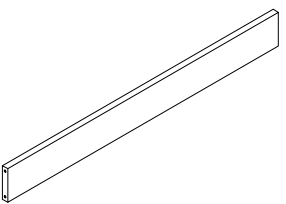
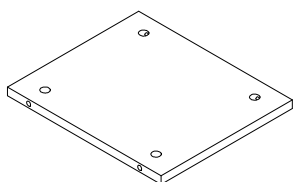
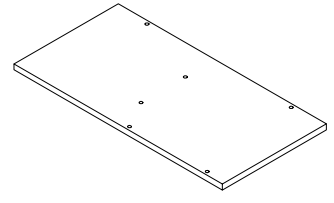
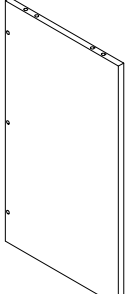
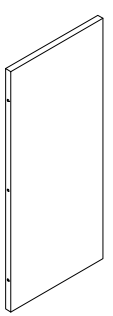
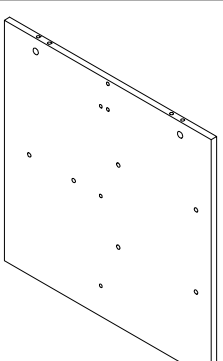
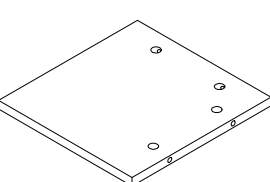
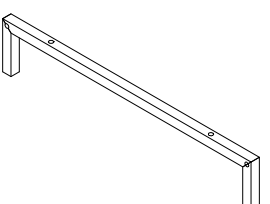
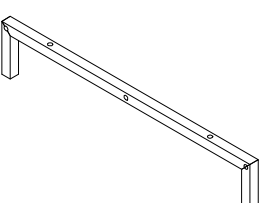
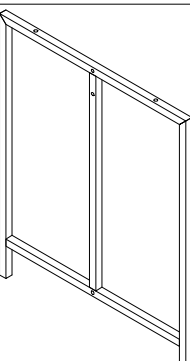
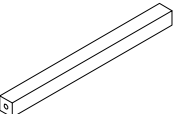
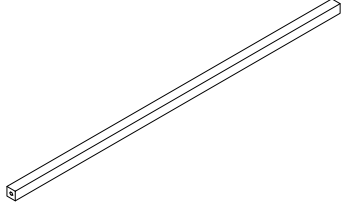


Notes: Don't tighten screws completely at first, just in case parts were assembled wrong and need disassembled. Tighten screws at last when all parts are put together.



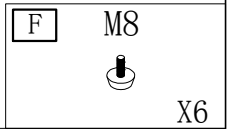
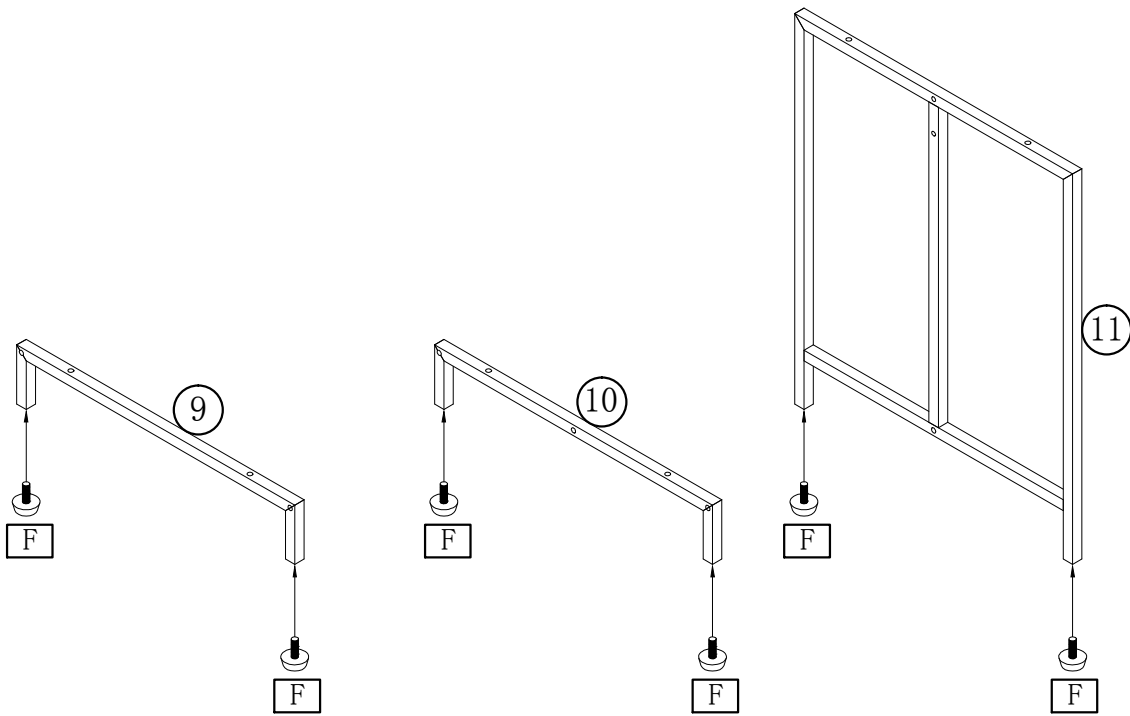
No.	PICTURE	SIZE	QTY	No.	PICTURE	SIZE	QTY
A		 M6*30	6	E		M8*35	4
B		 M6*40	6	F		M8	6
C		 ST7*40	16		 → 16		1
D	 11	 M6*40	16		 		1

ASSEMBLY INSTRUCTION

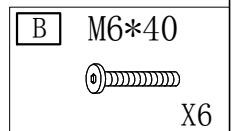
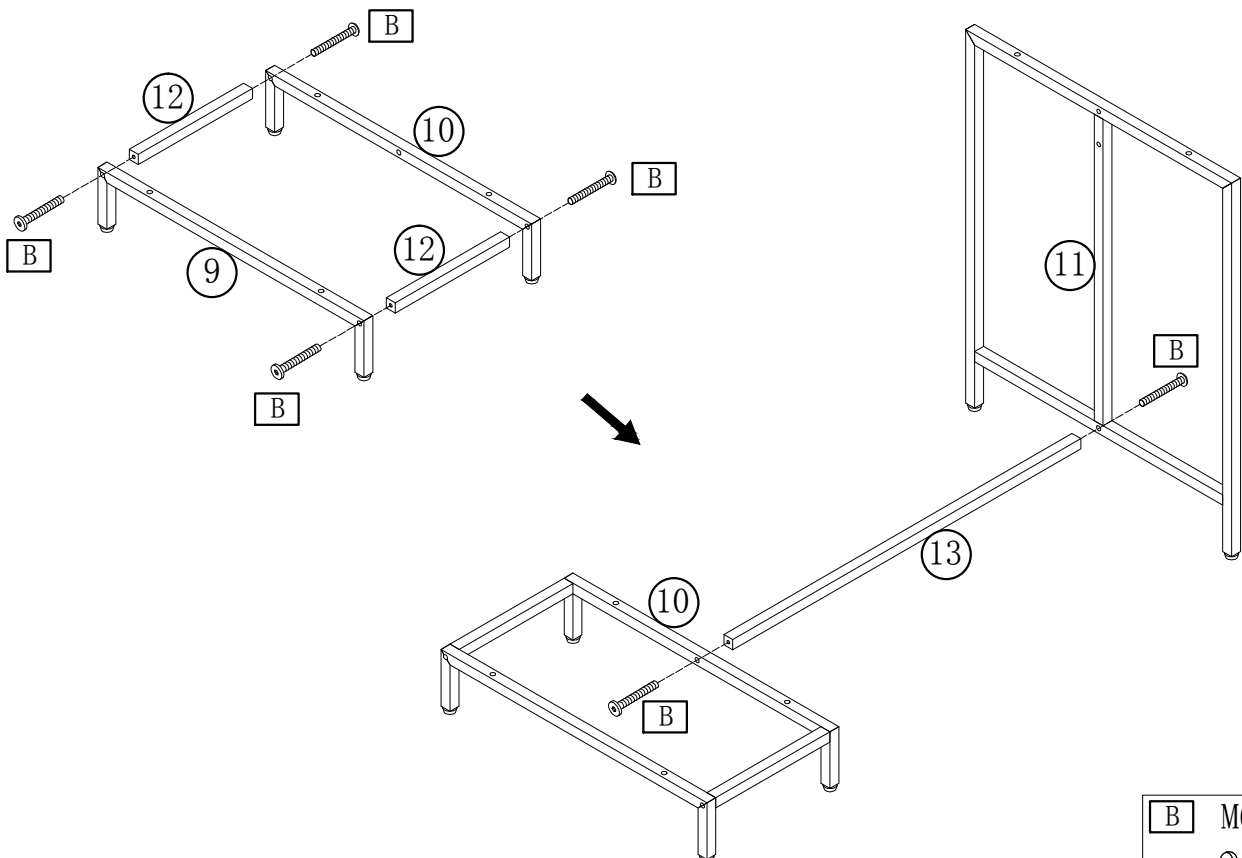
<p>①</p>  <p>X1</p>	<p>②</p>  <p>X1</p>	<p>③</p>  <p>X2</p>
<p>④</p>  <p>X1</p>	<p>⑤</p>  <p>X1</p>	<p>⑥</p>  <p>X1</p>
<p>⑦</p>  <p>X1</p>	<p>⑧</p>  <p>X1</p>	<p>⑨</p>  <p>X1</p>
<p>⑩</p>  <p>X1</p>	<p>⑪</p>  <p>X1</p>	<p>⑫</p>  <p>X2</p>
<p>⑬</p>  <p>X1</p>		

ASSEMBLY INSTRUCTION

STEP 1

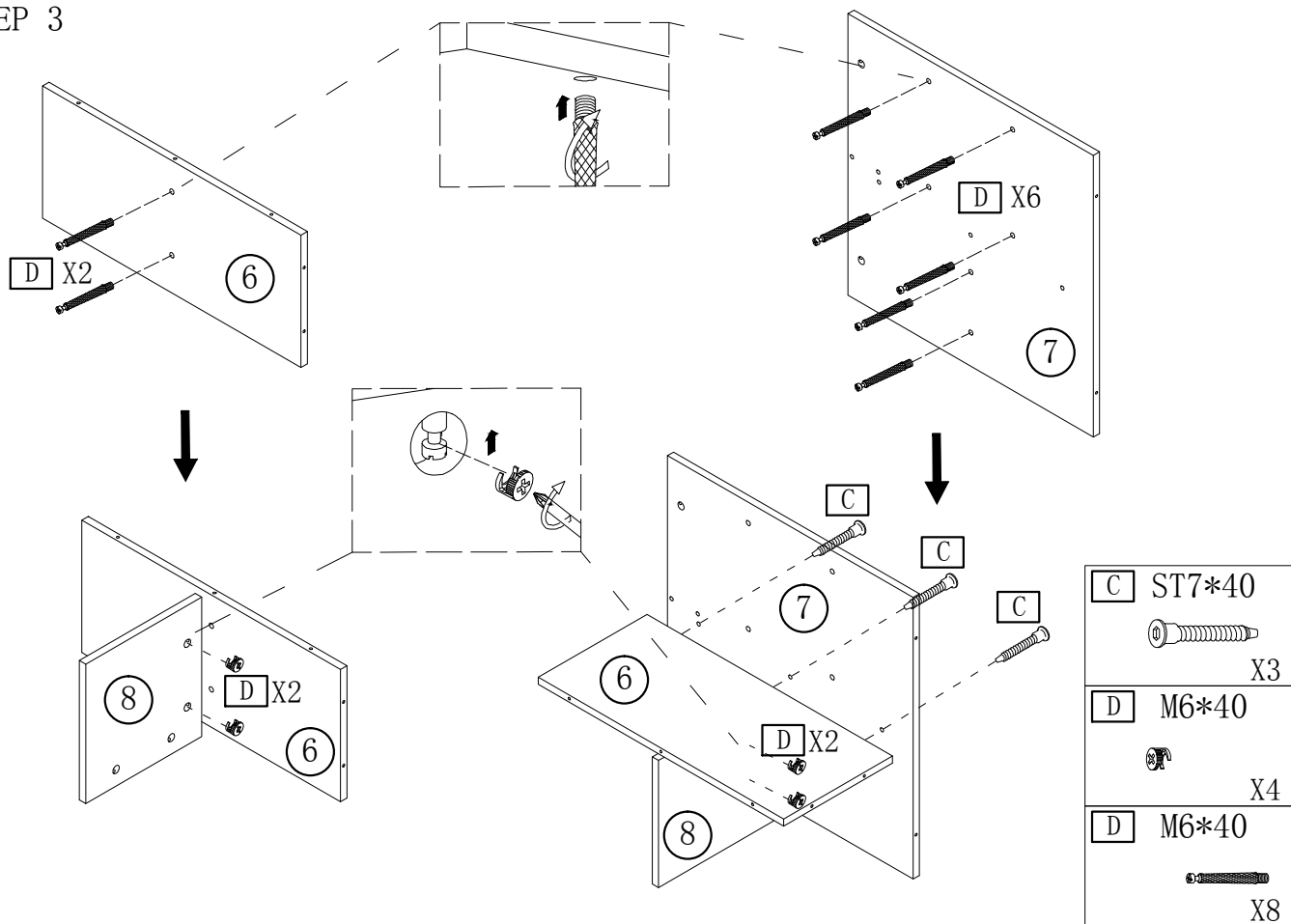


STEP 2

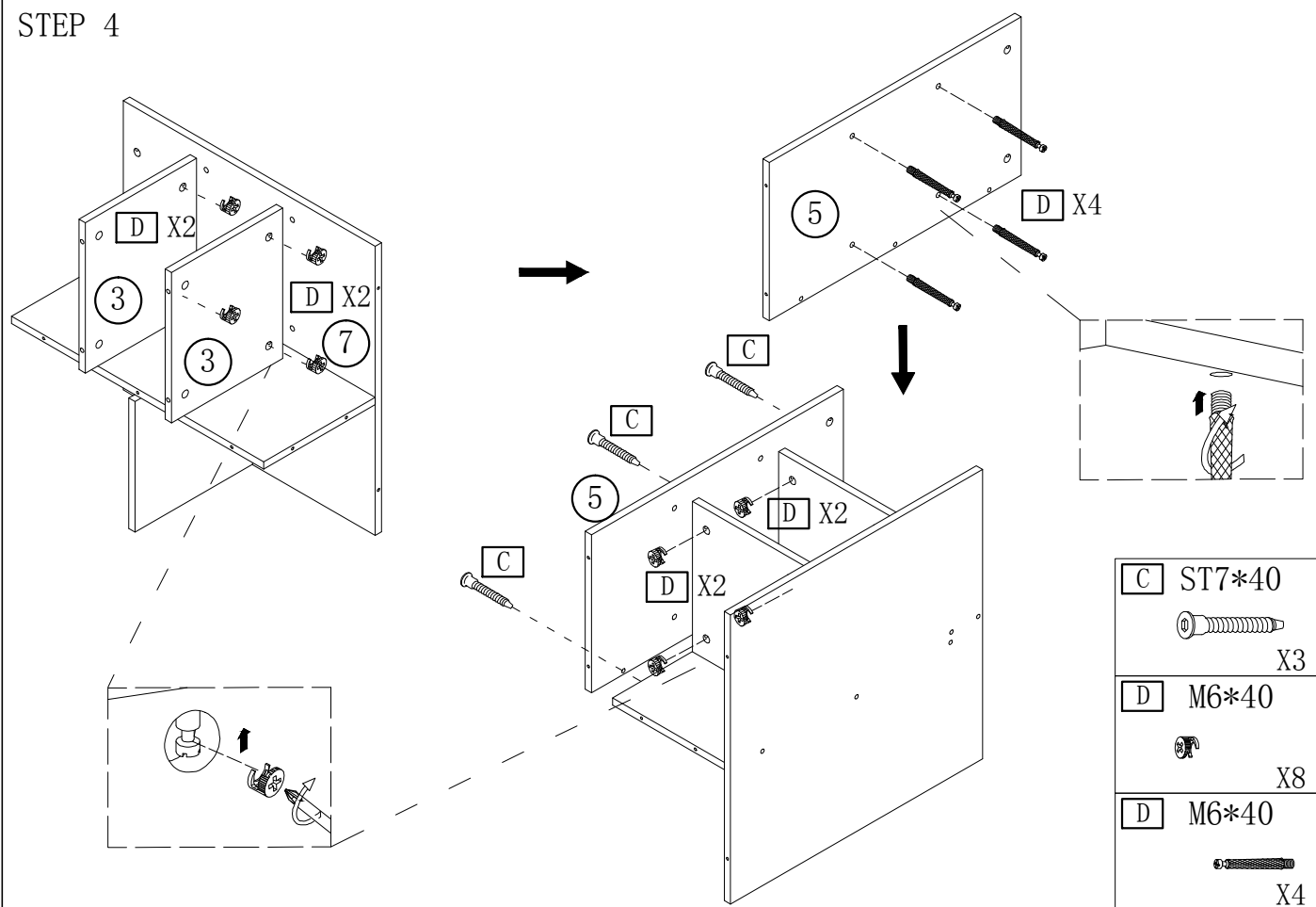


ASSEMBLY INSTRUCTION

STEP 3

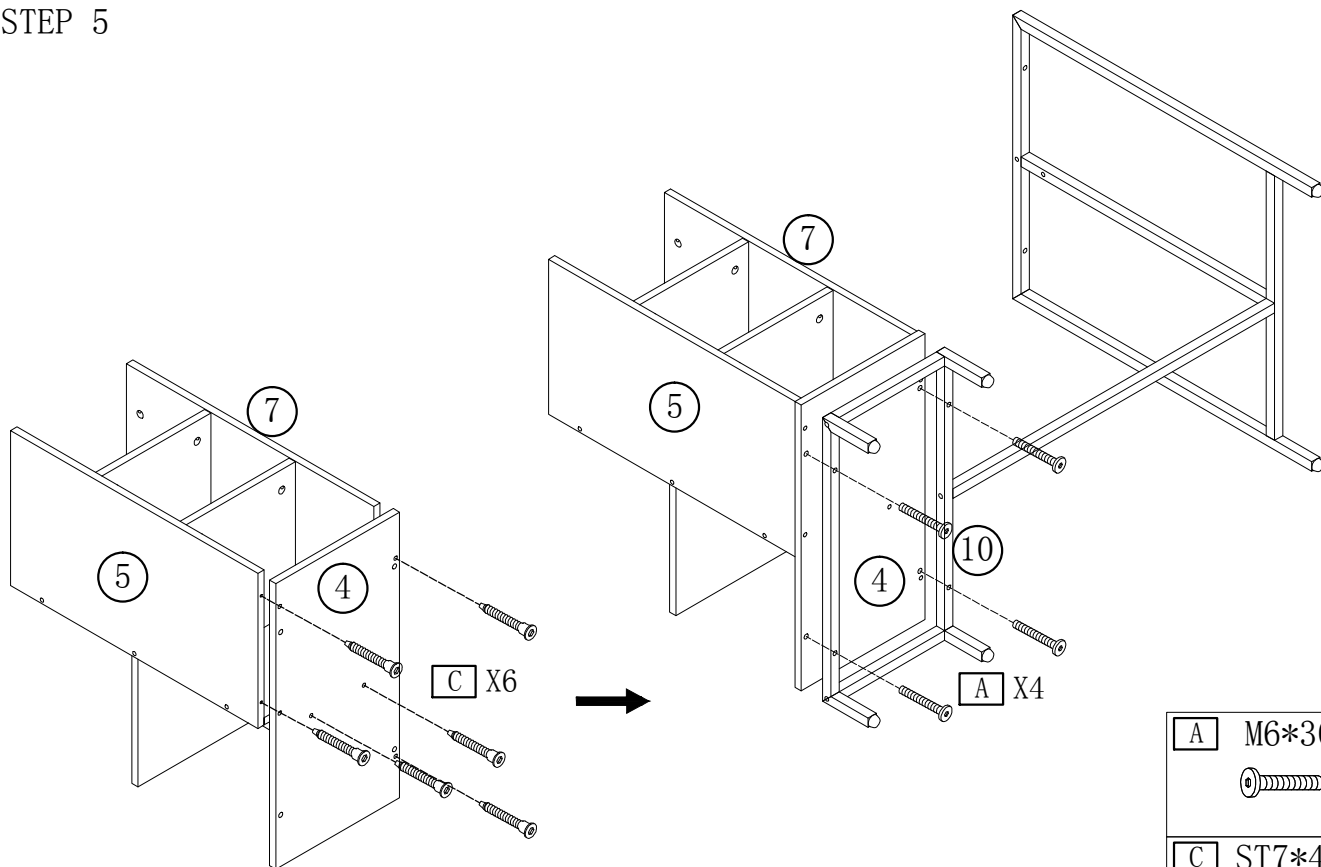


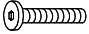
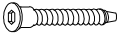
STEP 4



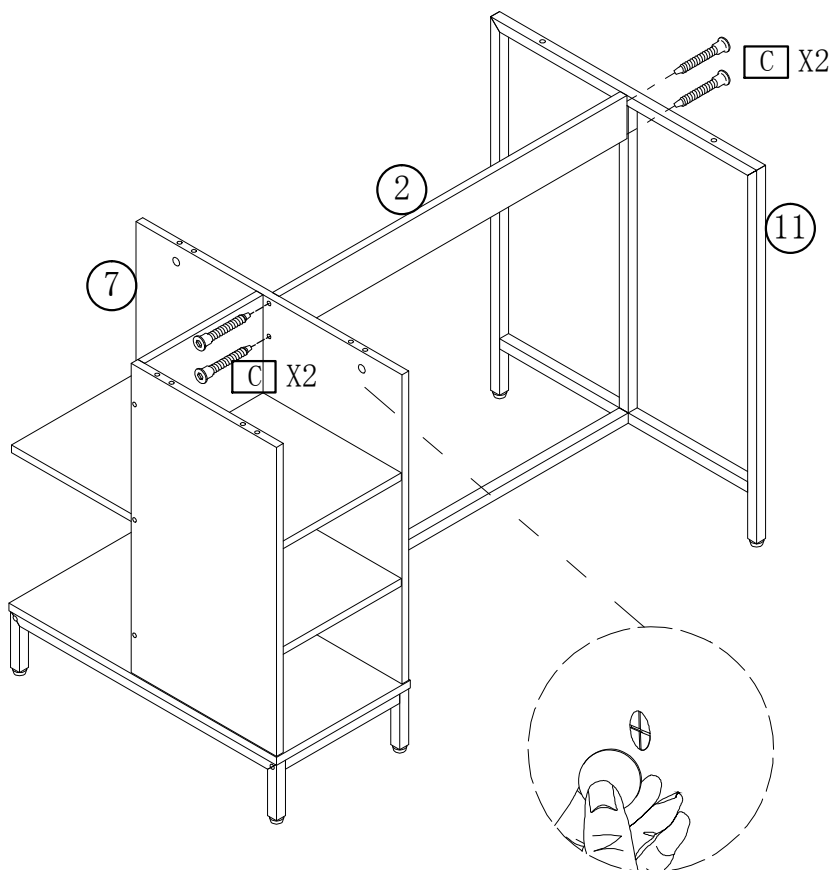
ASSEMBLY INSTRUCTION

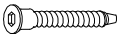
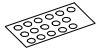
STEP 5



A	M6*30
	X4
C	ST7*40
	X6

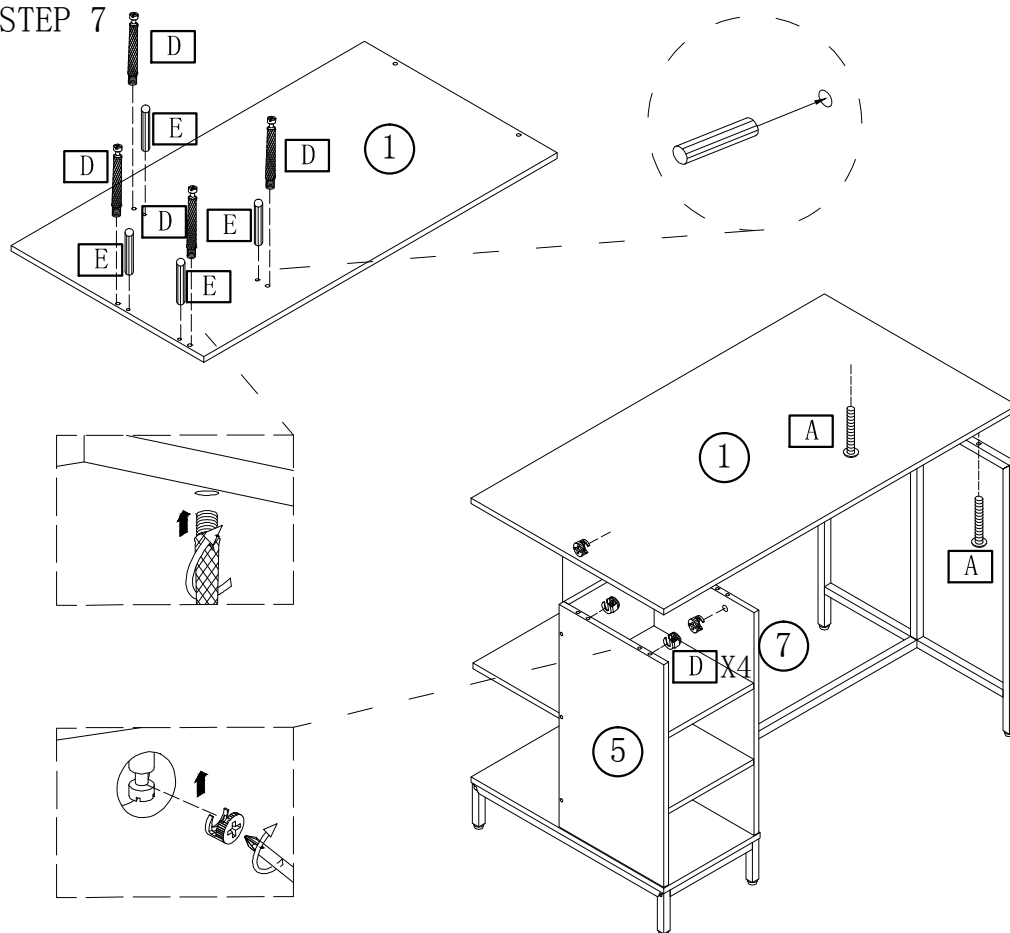
STEP 6

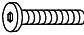




C	ST7*40
	X4
	X1

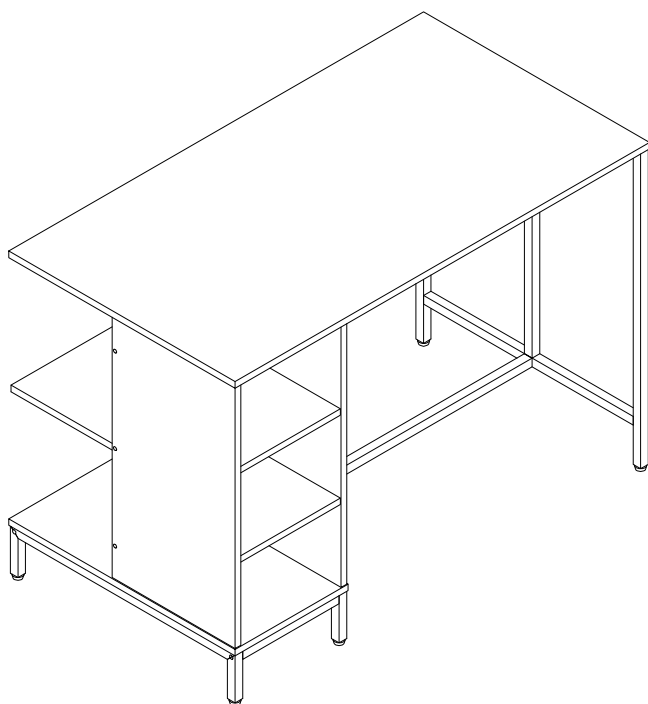
ASSEMBLY INSTRUCTION

STEP 7



A	M6*30
	X2
D	M6*40
	X4
E	M8*35
	X4

STEP 8



We genuinely appreciate your purchase of our product. Any problem (installation or damage caused by shipping), please feel free to contact us. Our customer service will help to solve the problem for your ASAP.

Email: support@tribesigns.com
customer service hotline : +14242206888