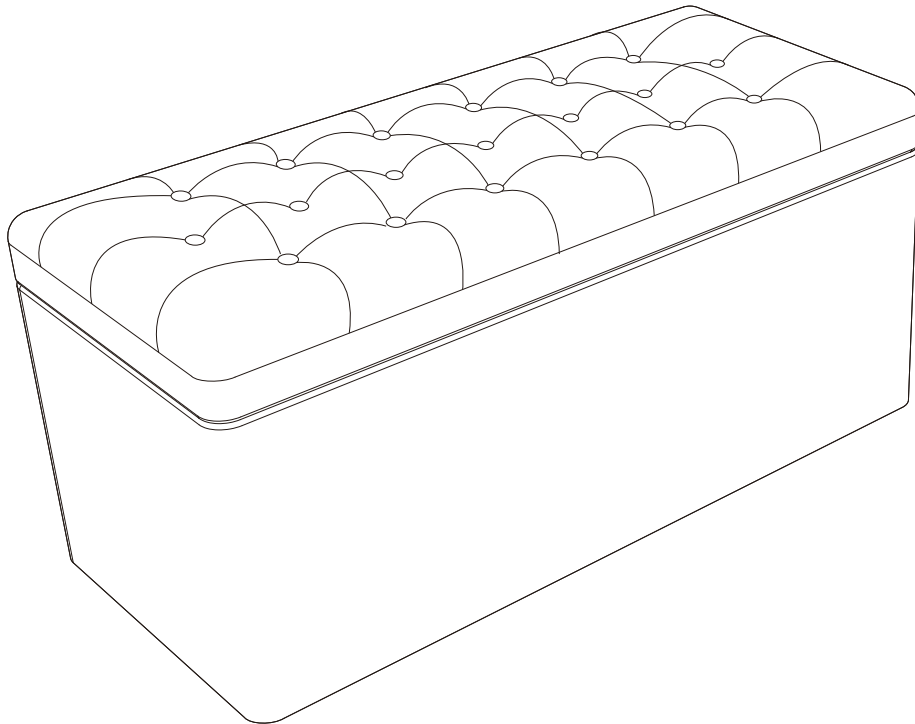


# Storage Ottoman Bench

## USE AND CARE GUIDE



### Storage Ottoman Bench x 1

---

#### Questions, problems, missing parts?

Before returning to the store, please contact our Customer Service

---

#### THANK YOU

We appreciate the trust and confidence you have placed in our store by purchasing this Storage Ottoman Bench. We strive to continually create quality products designed to enhance your home. Visit us online to see our full line of products available for your home improvement needs.

---

# Table of Contents

<b>Table of Contents</b> .....	<b>01</b>
<b>Important Safety Information</b> .....	<b>02</b>
- Product Caution .....	<b>02</b>
- Safety Warnings .....	<b>02</b>
<b>Warranty</b> .....	<b>03</b>
<b>Pre-Installation</b> .....	<b>03</b>
- Planning Installation .....	<b>04</b>
- Hardware Included .....	<b>04</b>
<b>Installation</b> .....	<b>06</b>
<b>Care and Cleaning</b> .....	<b>09</b>

# Important Safety Information

## Product Caution

### Before You Start

- Important: Retain these instructions for future reference.
- When you are ready to start, make sure that you have the right tools, plenty of space and a clean, dry area for assembly.
- Unwrap all packaging materials and place the components on top of the carton box or on a clean floor to prevent it from scratching.
- Check the pack and make sure you have all the parts listed.
- Do not use power tools to construct this product.
- Ensure that this product is fully assembled as illustrated before use.

## Safety Warnings

- Use this furnishing only for its intended use as described in these instructions. Do not use attachments not recommended by the manufacturer.
- Do not move the furniture set while it is occupied. Failure to obey this caution could result injury.
- When placing in the desired location, ensure that all legs are resting on the same surface.
- To prevent damage, place all parts on a soft surface during assembly.
- This set was made for the explicit purpose of providing outdoor functions and is not to be used as a toy. This product is intended for normal outdoor use; However, the manufacturer recommends storing and/or covering this product when any formidable/severe weather is approaching.
- If any parts are missing, broken, damaged, or worn, stop using this product until repairs are made and/or factory replacement parts are installed.
- Reconfirm that all bolts, screws, and knobs are secure every 90 days.
- This product should only be used on firm, level ground.
- Keep small parts out of reach of children.
- Do not tighten screws until fully assembled.
- Do not overtighten screws or bolts.

# Warranty

## 1 YEAR FRAME, WEAVE AND FABRIC WARRANTY

### What Is Covered

We warrant the frame, weave and fabric to be free of manufacturing defects to the original purchaser for 1 year.

### What Is Not Covered

This warranty does not cover commercial use, hardware, acts of nature, reuse, freezing and abusive use. In addition, purchased parts are not covered under this warranty. We reserve the right to make substitutions with similar merchandise, if the model in question is no longer in production.

# Pre-Installation

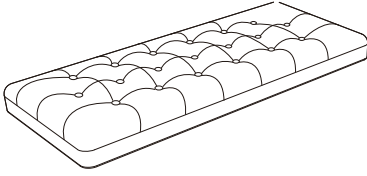
## Planning Installation

To prevent damage, place all parts on a soft surface during assembly. Remove all protective caps before beginning assembly.

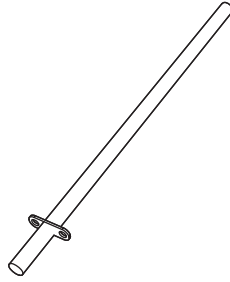


RECOMMENDED  
FOR 2 PEOPLE  
ASSEMBLY

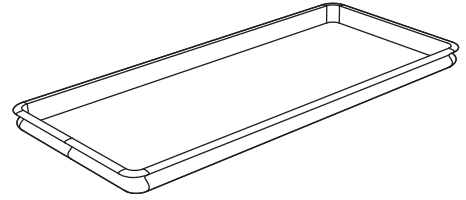
## Hardware included



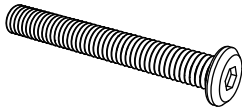
**A**  
(1PC)



**B**  
(6PCS)



**C**  
(1PC)

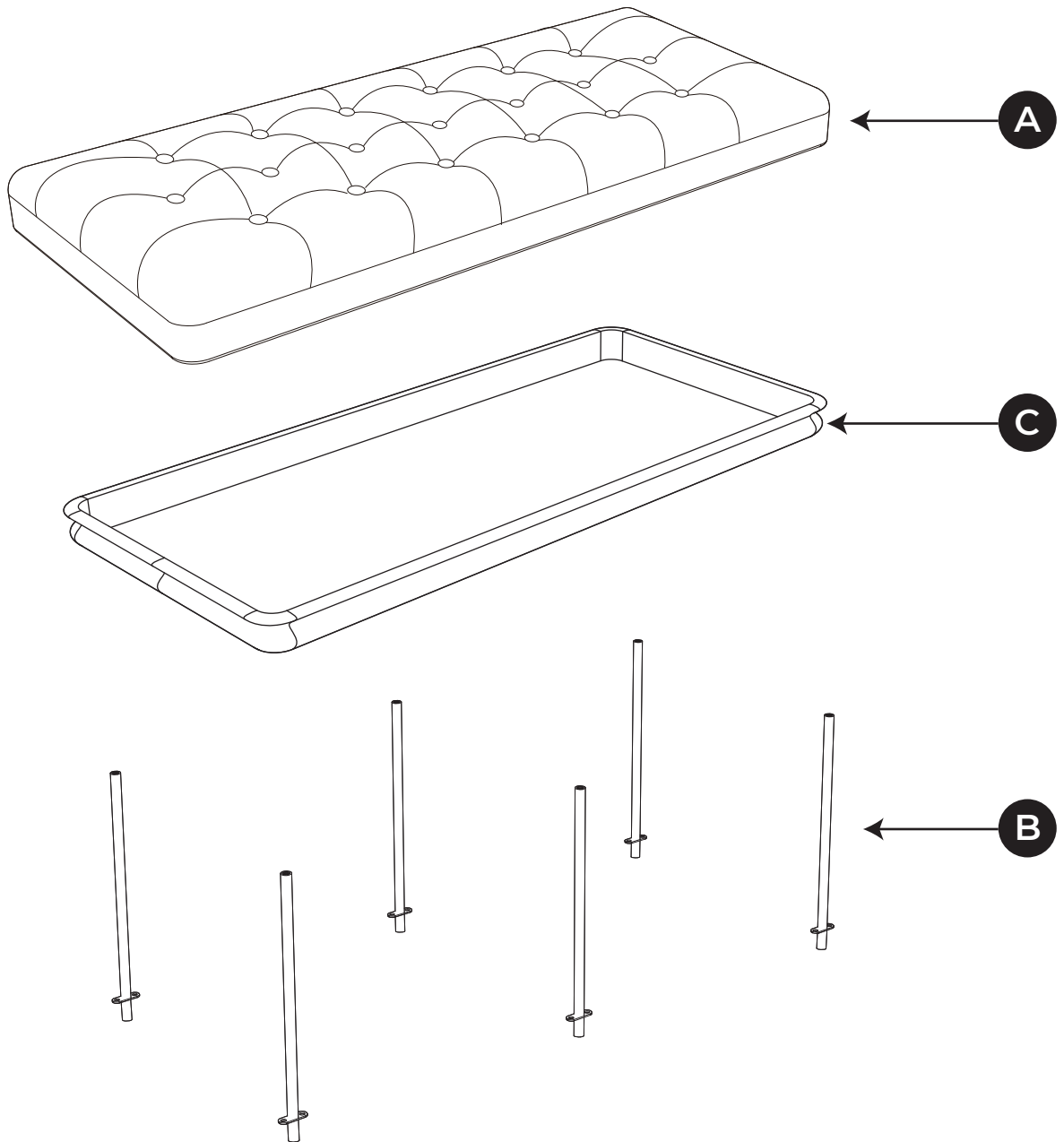


**1**  
(12PCS)  
(1/4"×40mm)

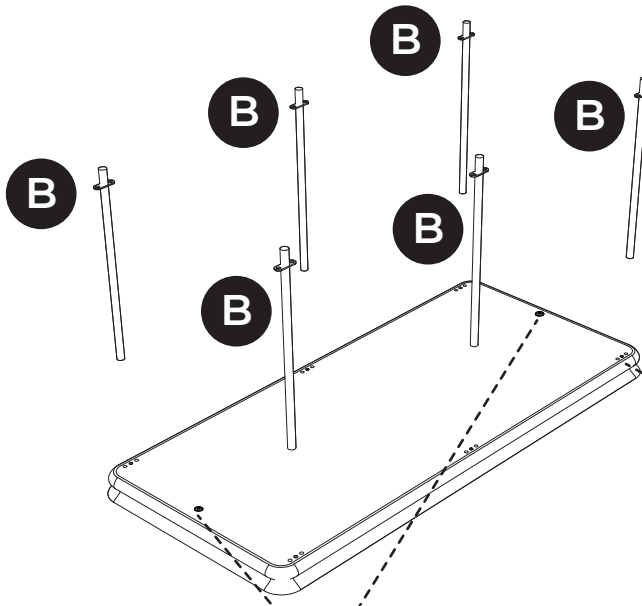
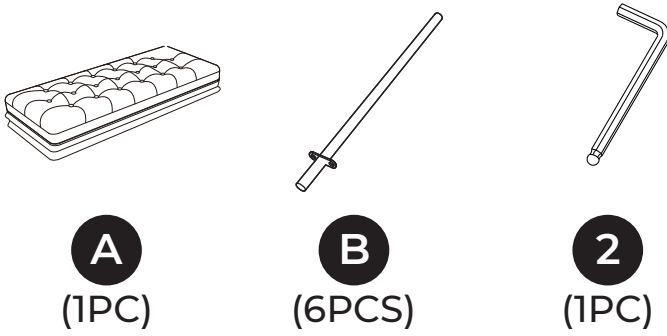


**2**  
(1PC)

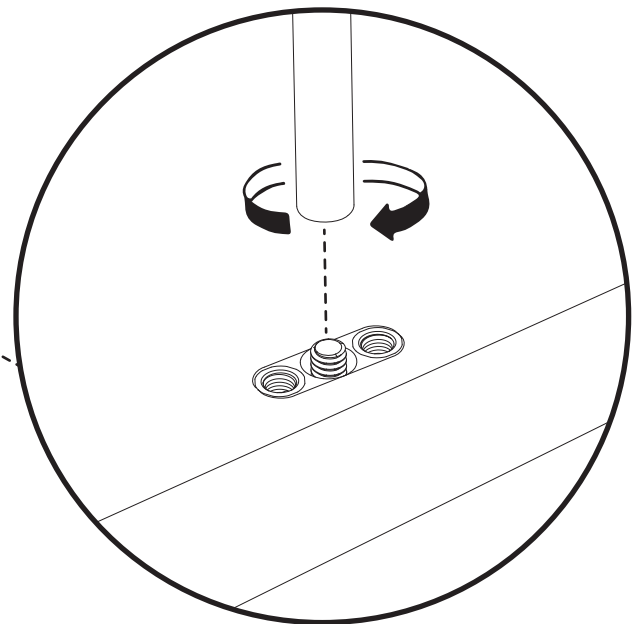
Part	Description	Quantity
A	Top	1
B	Legs	6
C	Main Body	1
1	Bolt(1/4"×40mm)	12
2	Allen key	1



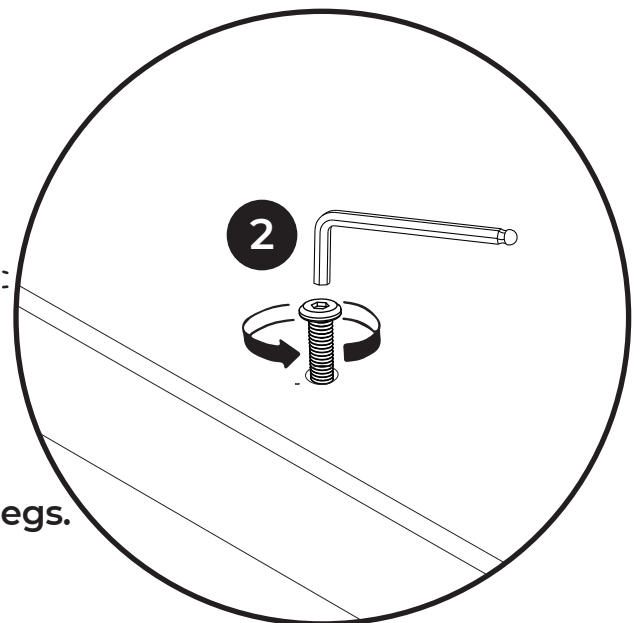
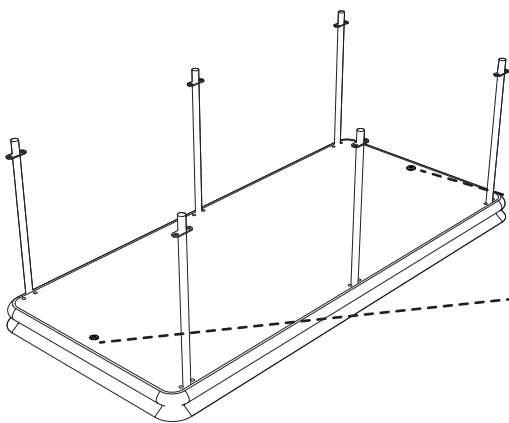
# STEP 1



**Warning: Please tighten the legs completely.**

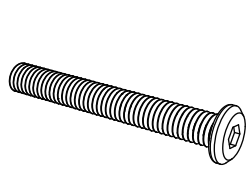


**Warning: please do not loosen these bolts before installing all 6 legs.**



**Warning: Loosen these bolts after installing all 6 legs.**

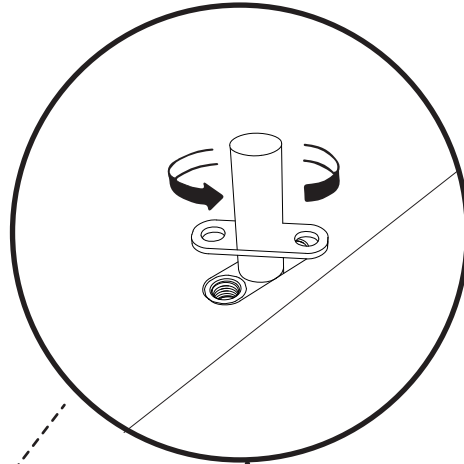
## STEP 2



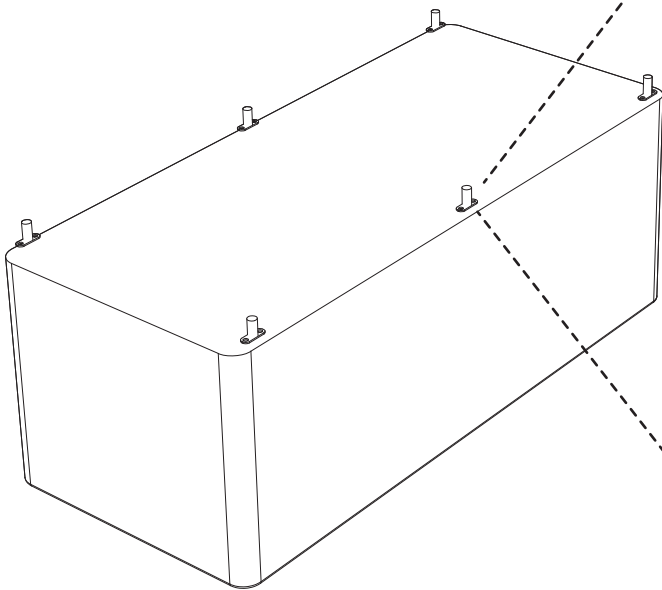
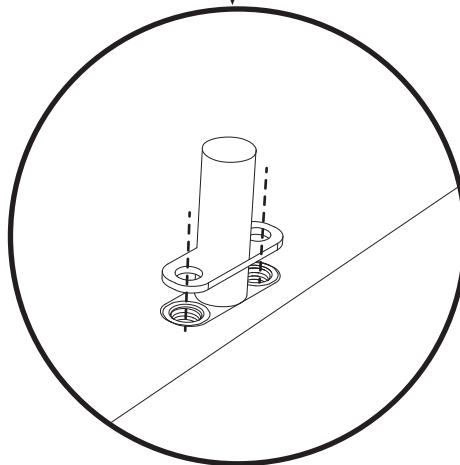
**1**  
(12PCS)  
(1/4"×40mm)



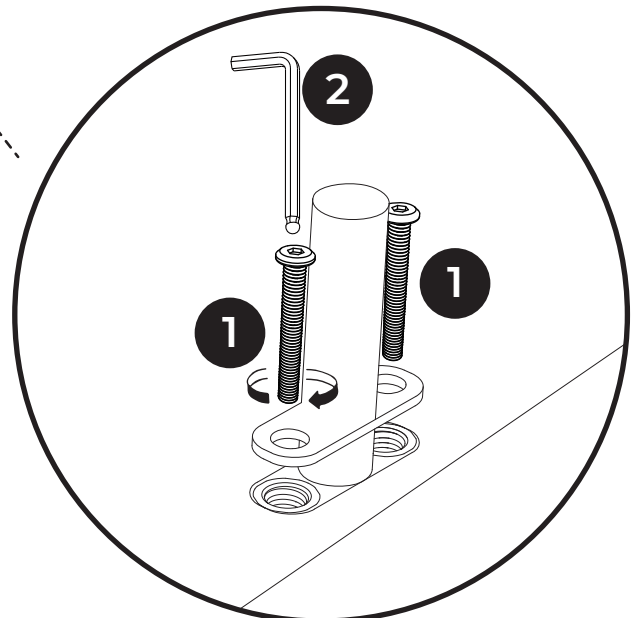
**2**  
(1PC)



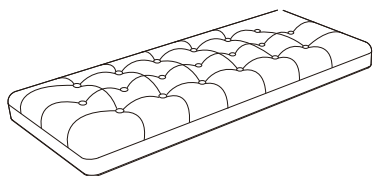
Warning: If holes don't line up, rotate the leg to align them.



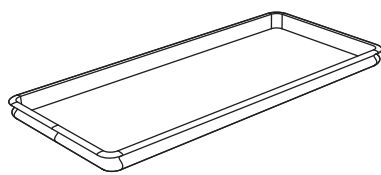
Warning: Make sure all screws are in place before fully tightening them.



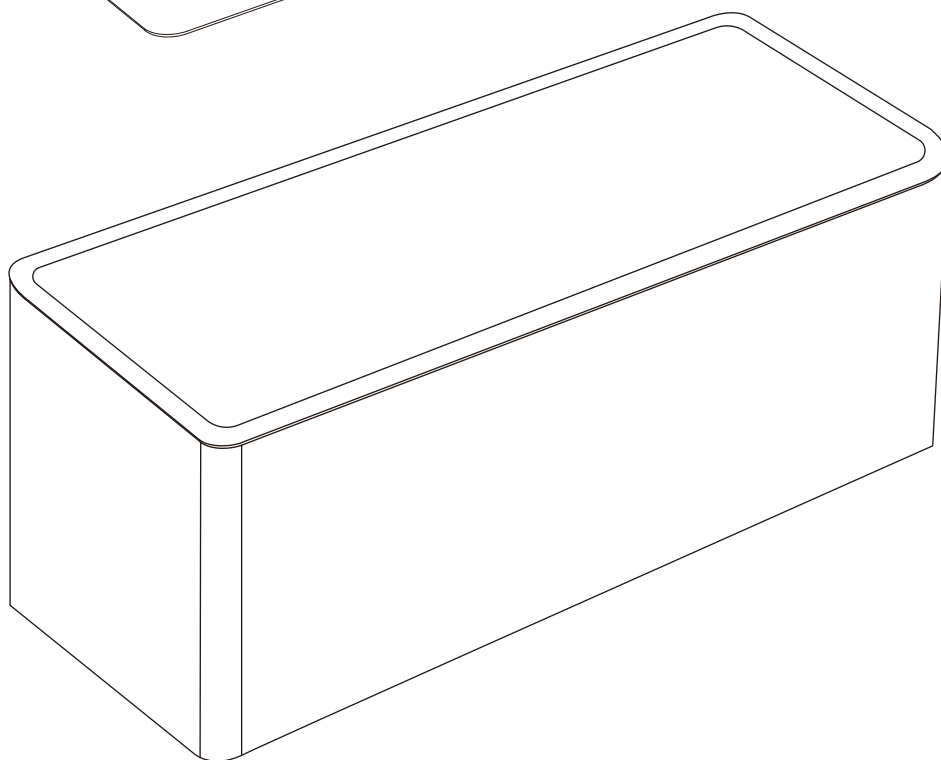
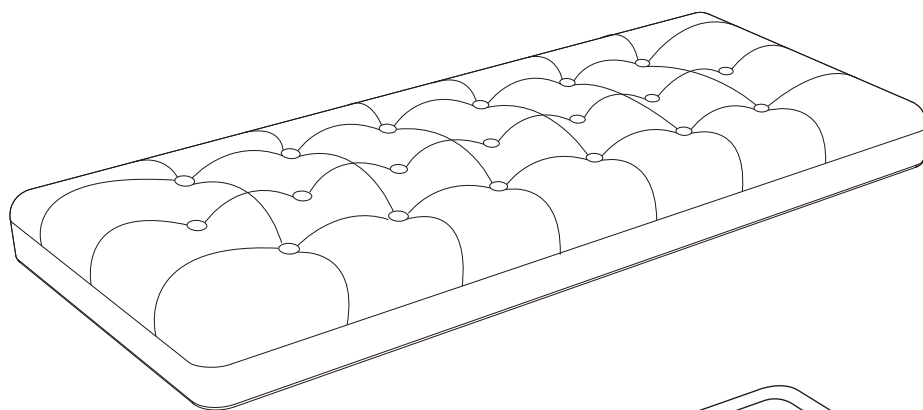
### STEP 3



**A**  
(1PC)



**C**  
(1PC)



---

## Care and Cleaning

- To clean wipe with a sponge and warm soapy water then wipe with a dry, clean cloth.
- Do not use solvent based cleaners or detergents as they can bleach or damage the product.
- Clean the fabric using warm soapy water only. The product must be thoroughly dried afterwards to prevent mildew or mould stains from forming. Most stains can be removed with a mild soap.
- Never use a pressure hose or washer to clean the product.
- Never use scourers, abrasives or chemical cleaners.
- Wipe clean with a soft dry cloth.
- Store the product in a cool dry place. Before storage ensure that it is clean and dry.
- We recommend the use of furniture covers to protect your product when not in use. During bad weather and winter months the product should be stored in a cool dry place.
- To clean metal frame, use a soft cloth moistened in lukewarm soap and water. Then buff with a dry clean cloth.