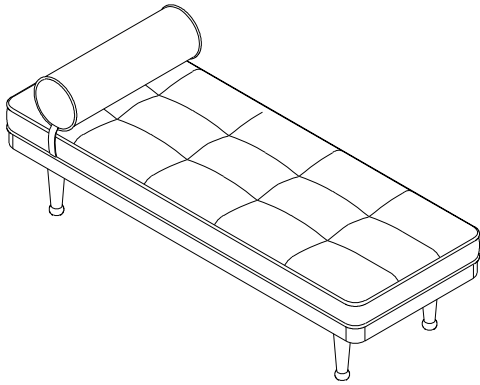

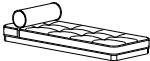



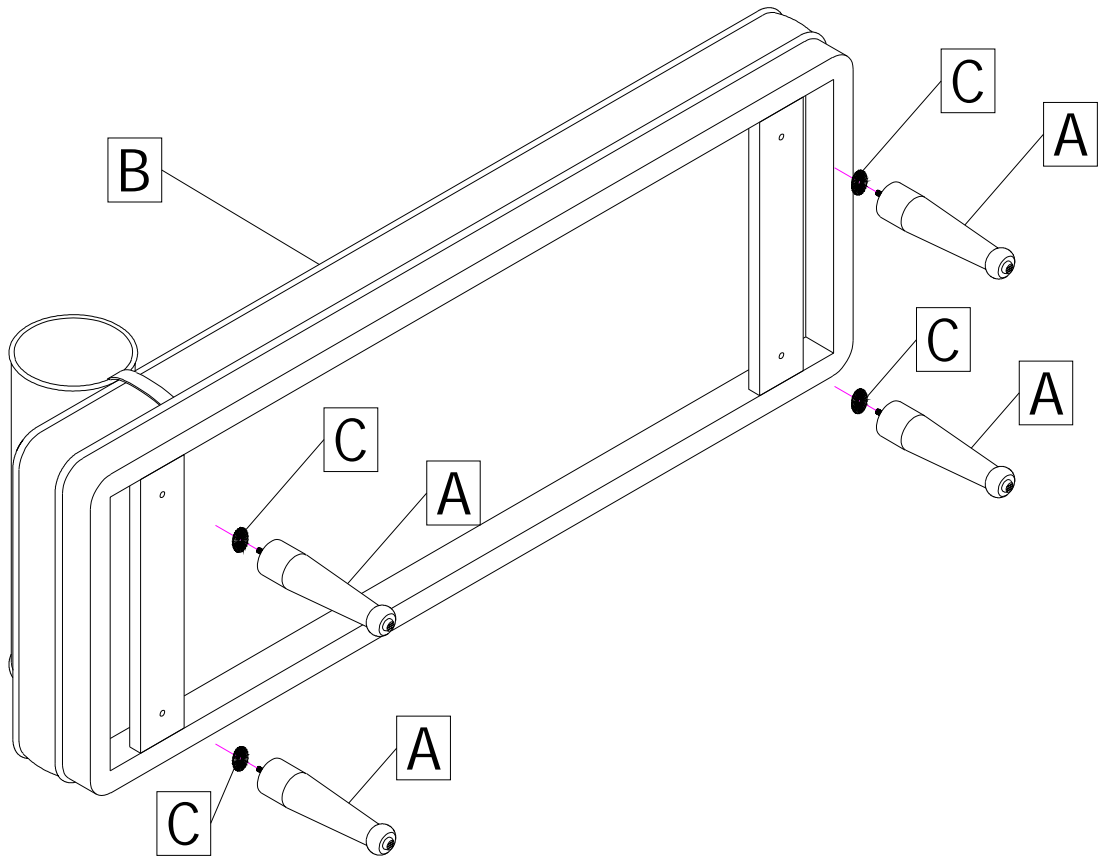
# ASSEMBLY INSTRUCTION

## Nellan Accent Bench



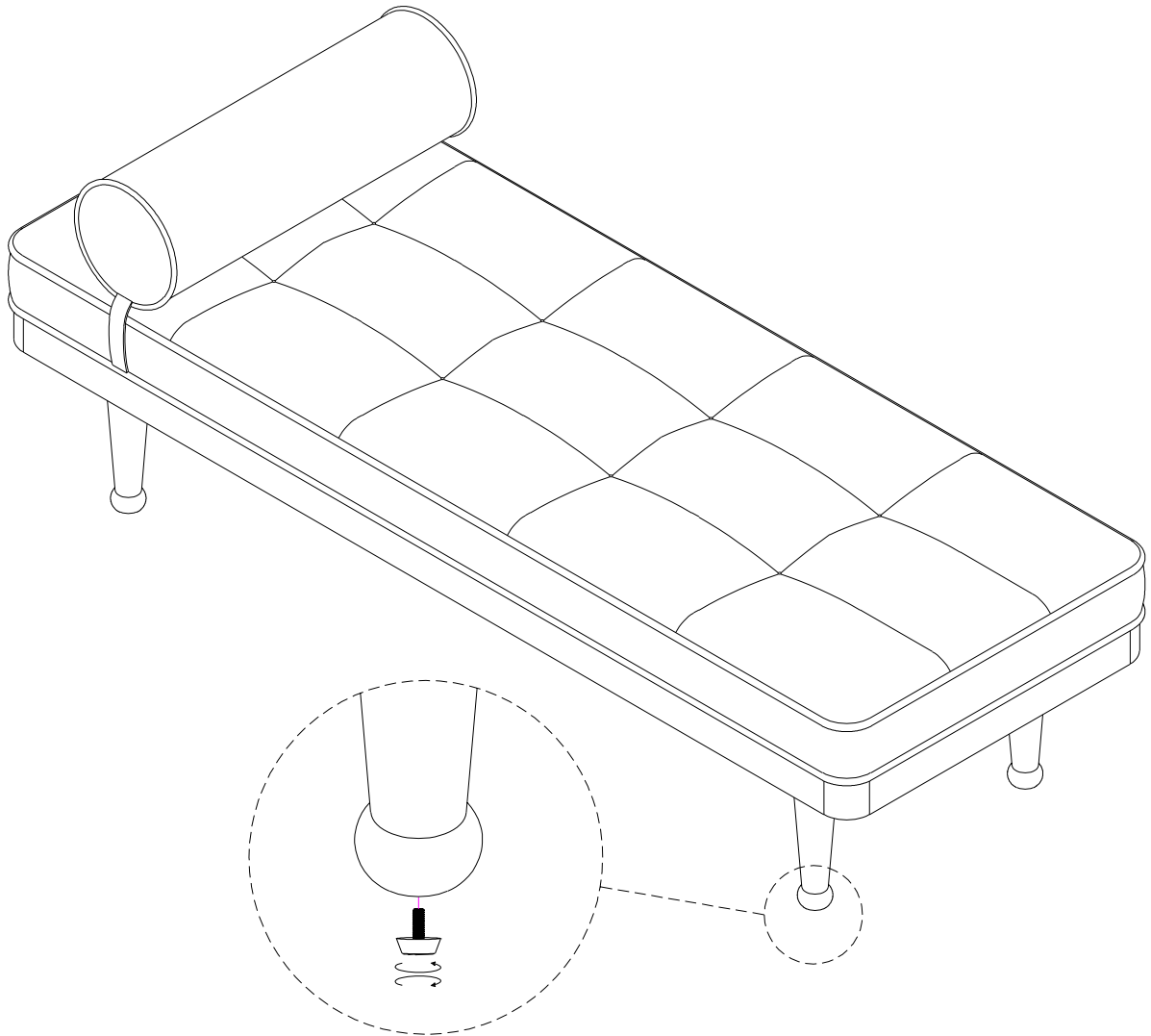
PART LIST			
A		Legs	4
B		Body	1
C		Lock Washers Ø40mm	4

Tighten the legs properly to make sure legs align with frame.



# ASSEMBLY INSTRUCTION

## Nellan Accent Bench



### Adjusting Floor Levelers

Your furniture has been expertly crafted and pre-adjusted by professionals. However, slight shifts can occur during transportation. If you notice that the doors are not perfectly aligned or the furniture wobbles, a quick adjustment can help ensure stability and a seamless look.

### Adjust the Floor Levelers

**Check for Stability** - Place the furniture in its final position on a level surface. If it wobbles or doesn't sit evenly, the floor levelers need adjusting.

**Locate the Levelers** - These are small adjustable feet found at the bottom corners of your furniture.

**Adjust as Needed** - Using your hand or a wrench, turn the levelers clockwise to raise or counterclockwise to lower the furniture. Make small adjustments and check stability after each turn.

# ASSEMBLY INSTRUCTION

## Nellan Accent Bench

---

