

# 10×15FT Metal Carport Manual

Dear Customer,

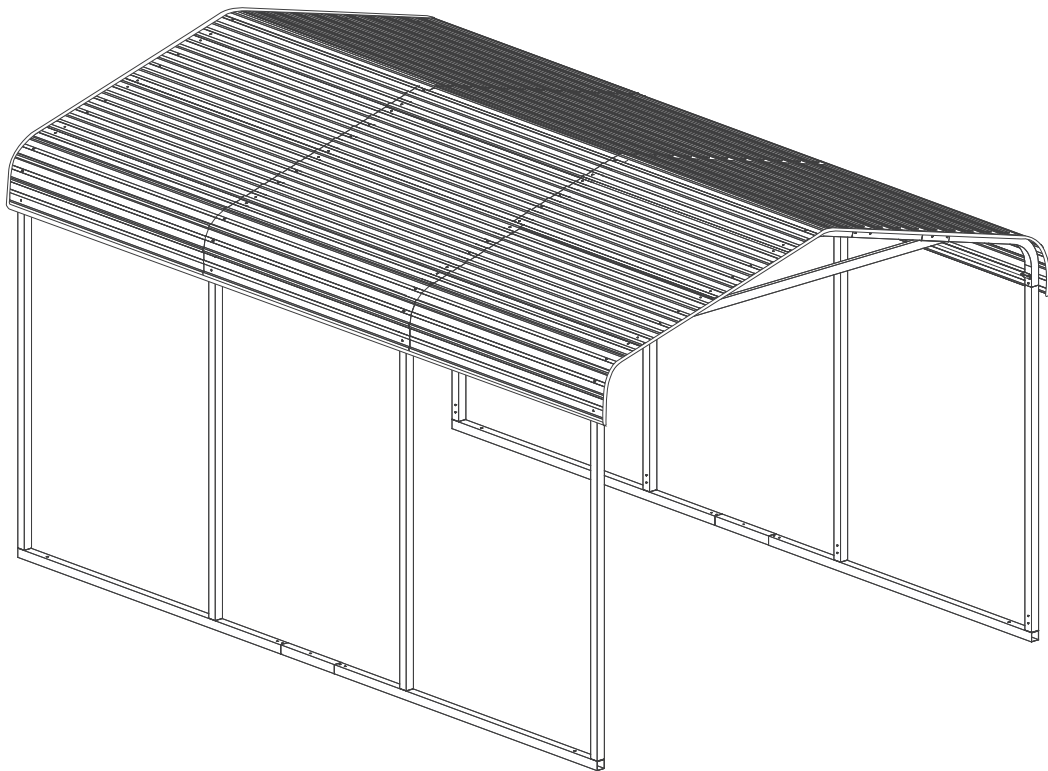
Thank you for choosing our product! To ensure the safe and secure delivery of your items, we have opted for a split-box delivery method. We appreciate your patience as you await the arrival of all the packages before proceeding with the installation. Additionally, please follow the important recommendations below during the installation and usage of our product:

1. Secure the product using sandbags: To enhance the stability and safety of the product, it is imperative to use sandbags during installation. Sandbags effectively prevent unintended movement or tilting of the product, providing additional support and stability.

2. Avoid installing near or directly on air vents: Air vents can cause airflow variations that may adversely affect the normal operation of the product. Choose a location away from air vents to ensure the product's stability under various environmental conditions.

Our objective is to provide you with the highest quality and safest product experience. If you have any questions regarding installation or usage, please feel free to contact our customer service team.

Once again, thank you for choosing our product, and we wish you a delightful user experience!



## 10×15FT Metal Carport

Street: 8 The Green Suite A

City: Dover State: DE

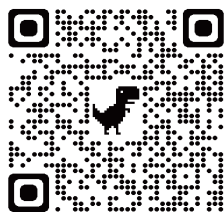
Post code: 19901

phone: 3022415039/

6605538327

Email: [mail@sannwsg.com](mailto:mail@sannwsg.com)

Scan the code on your phone and  
contact us via email



After-sales phone service hours:

US Central Time: 19:00-23:00

Seattle time: 17:00-21:00

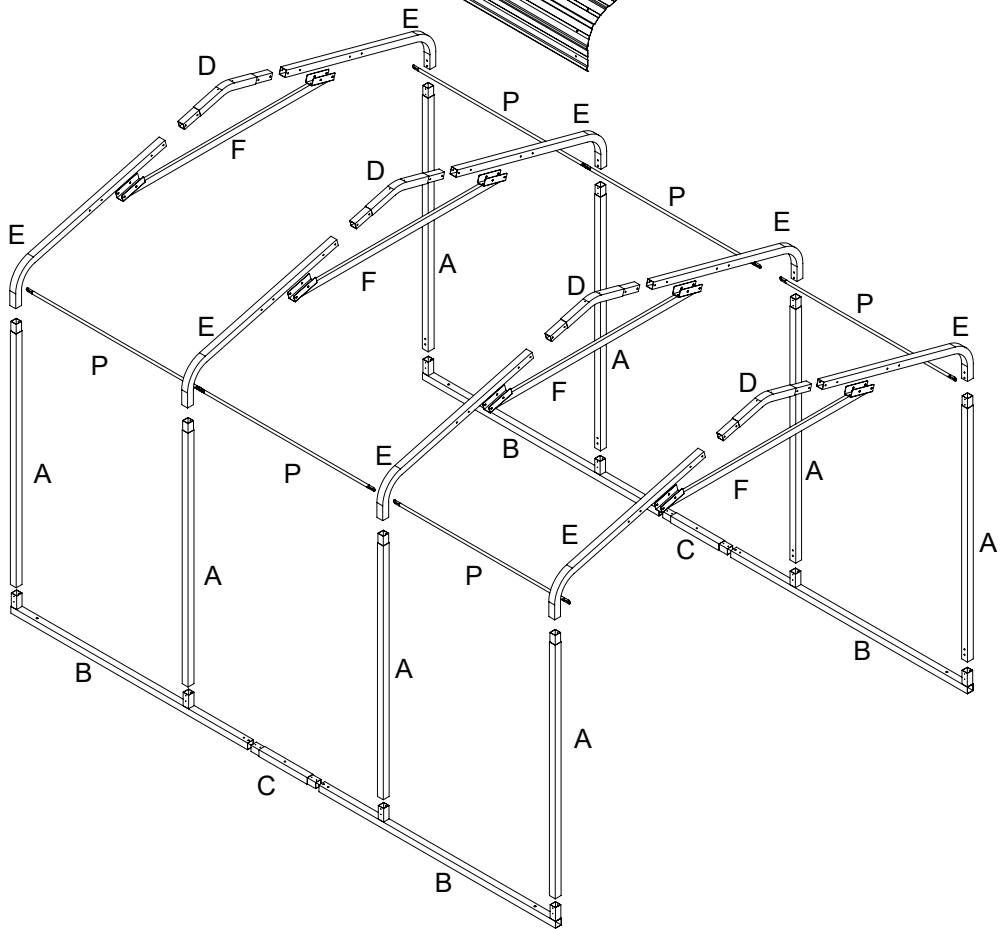
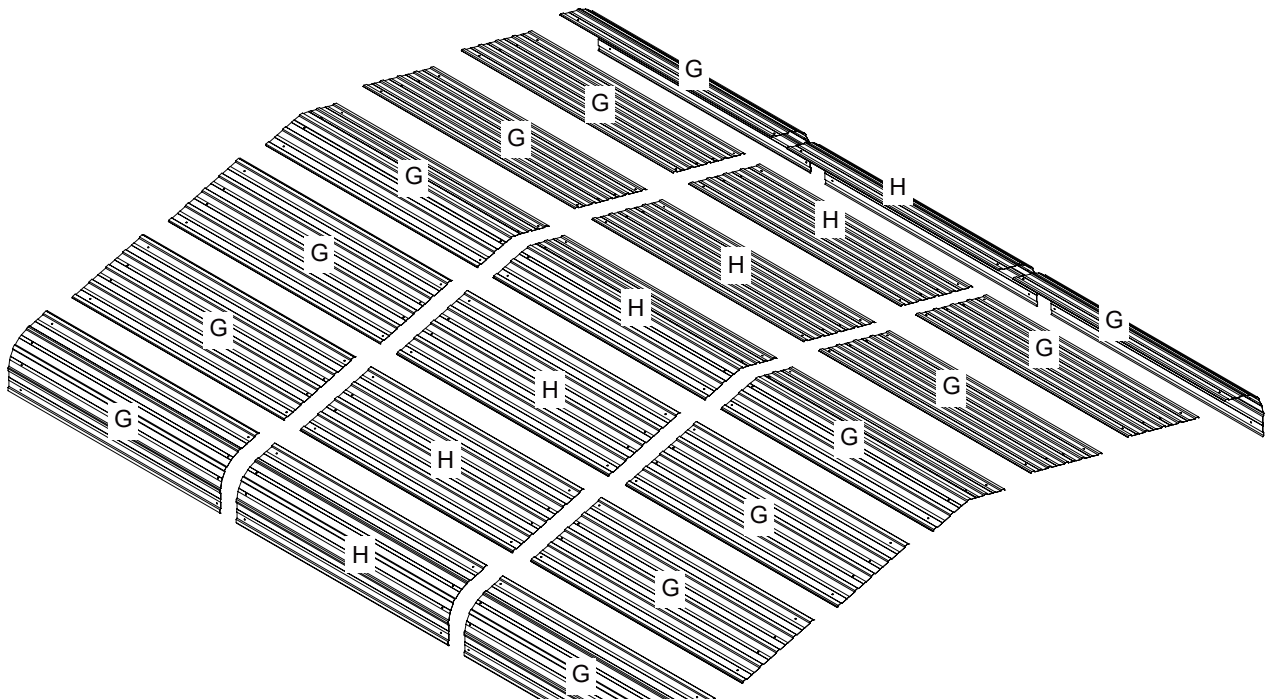
US Eastern Time: 20:00-00:00

Toronto time: 20:00-00:00

Germany time: 8:00-11:00

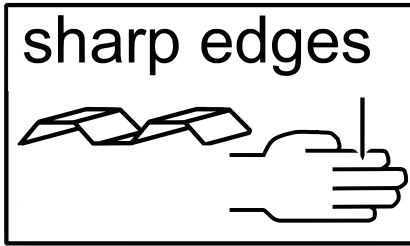
After-sales mailbox service time: 7\*24 hours  
[sannwsg.com](http://sannwsg.com)

# Parts Layout



# Safety Protection

Safety precautions **MUST** be followed at all times throughout the construction of your building!



Care must be taken when handling various pieces of your building since many contain sharp edges. Please wear work gloves, eye protection and long sleeves when assembling or performing any maintenance on your building.



Practice caution with the tools being used in the assembly of this building. Be especially familiar with the operation of all power tools.



Do NOT attempt to assemble your building on a windy day. The large panels can catch the wind like a "sail", causing them to be whipped around making construction difficult and unsafe.

Do NOT attempt to assemble your building before double checking that you have all the parts indicated on the parts list as well as all hardware. Any building left partially assembled may be seriously damaged by even light winds.



NEVER concentrate your weight on the roof of the building. When using a step ladder make sure that it is fully open and on even ground before climbing on it.



Keep children and pets away from the worksite during construction and until the building is completely assembled. This will help avoid distractions and any accidents which may occur.

## Exterior Care:

For a long lasting finish, clean and wax the exterior surface. We recommend washing with a mild soap solution. DO NOT use power washing to clean your shed. Using a spray automotive type wax periodically on the exterior is highly recommended if you are in a high humidity or coastal climate region. Combustibles and corrosives must be stored in air tight containers designed for chemical and/or combustible storage. Corrosive chemicals such as fertilizers, pesticides and herbicides should be cleaned off the interior and exterior surfaces immediately. Rust caused by chemical damage is not covered by the warranty.

Rust protection precautions may help to stop rust from developing, or stop it quickly as soon as it appears.

- Avoid nicking or scraping the coating surface, inside and out.
- Keep roof and base perimeter free of debris and leaves which may accumulate and retain moisture.

These can do double damage since they give off acid as they decay.

- Touch up scrapes or nicks and any area of visible rust as soon as possible. Make sure the surface is free of moisture, oils, dirt or grime and then apply an even film of high quality touch-up paint.
- Various paint manufacturers provide products for rust treatment and coverage. If surface rust does appear on your shed we recommend treating those areas as soon as possible, following the paint supplier of your choice instructions.

**Roof:** Keep the roof clear of leaves and snow. Heavy amounts of snow on the roof can damage the building making it unsafe to enter.

**Fasteners:** Regularly check fasteners and retighten as necessary.

**General:** Wash off inked part numbers on coated panels with soap and water.

Please note, Manufacturer cannot be held responsible for any consequences due to buildings that are not installed per these instructions, or for damage due to weather conditions or acts of God.

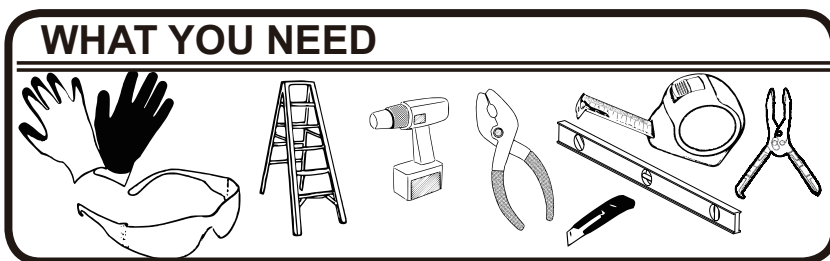
**Keep these assembly instructions and owner's manual for future reference.**

# ASSEMBLY TIPS & TOOLS

**Watch the Weather Closely:** Be sure the day you choose to install your building is dry and calm. Do **NOT** attempt to assemble your building on a windy day. Be careful on wet or muddy ground.

**Use Teamwork:** Two or more people are required to assemble your building. One person can hold the parts or panels in place while the other person fastens them together and handles the tools. This makes the process of assembling your building faster and safer.

**Tools and Materials:** Here is a list of some basic tools and materials you will need to assemble your building. Decide which method of anchoring and the type of base you will use to make a complete list of the materials you will need.


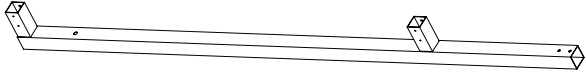

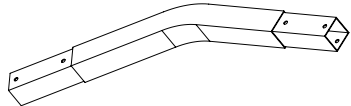
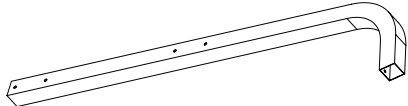
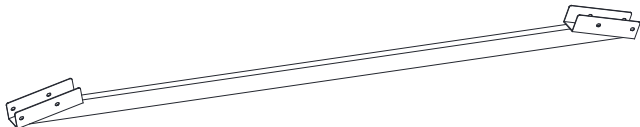
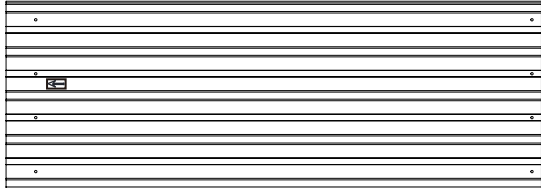
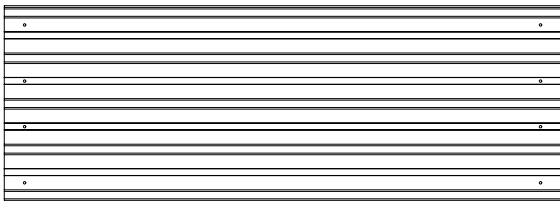




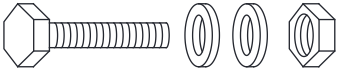

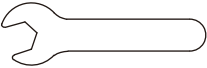
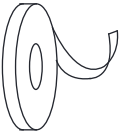
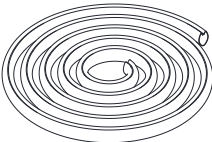
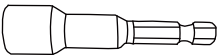

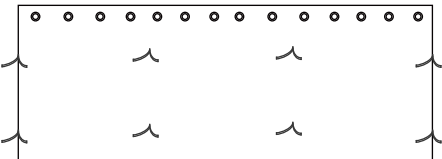
- Work Gloves
- Safety Glasses
- Power Drill (Cordless, Variable Speed)
- Pliers
- Utility Knife or Scissors
- Carpenter's Level
- Tape Measure
- Clamp



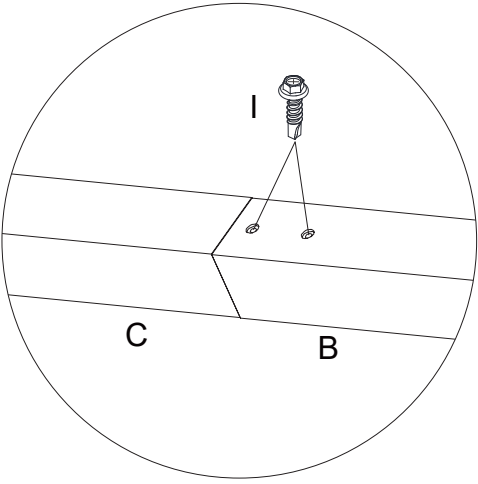
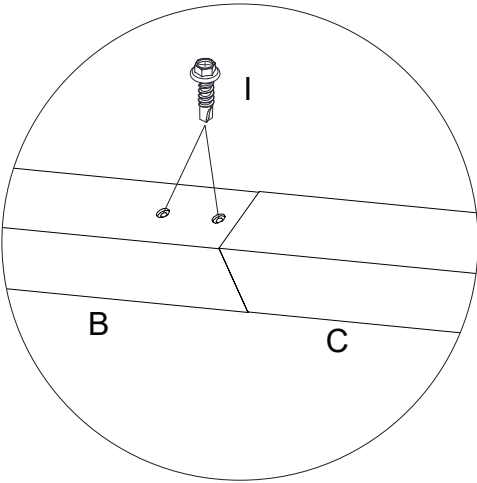
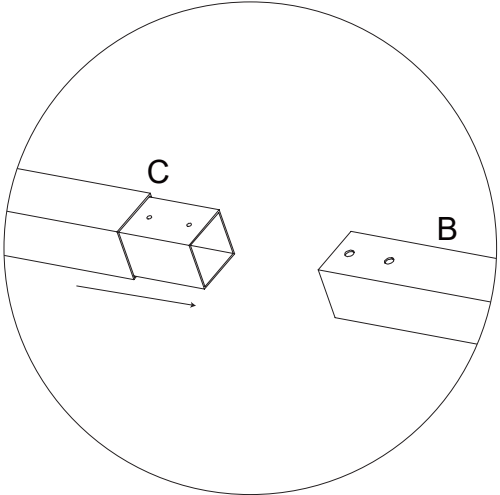
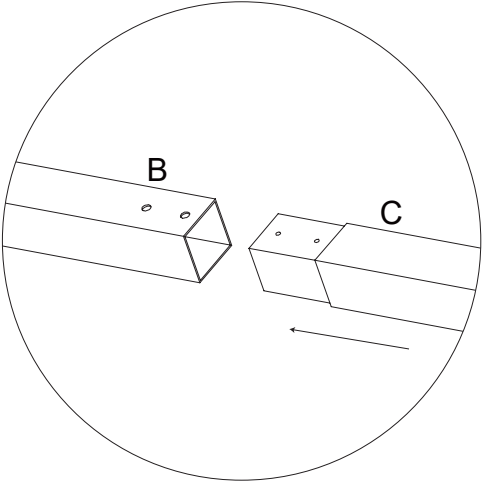
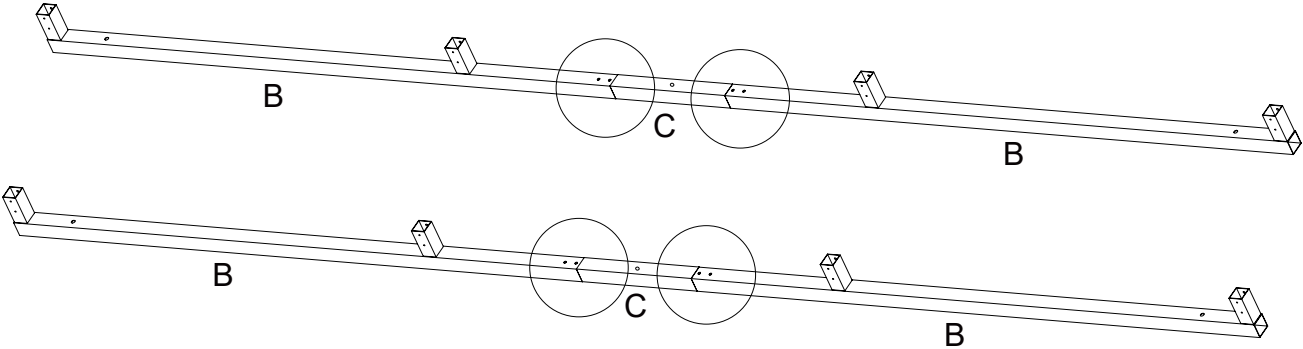
- Square

**Before you start to assemble your building, you will want to decide on a good location. The best location is a level area with good drainage.**

Letter	Illustration	Description	Q'ty
A		Post	8
B		Bottom Tube	4
C		Bottom Tube	2
D		Top Tube	4
E		Side Tube	8
F		Support Tub	4
G		Bilateral Roof	14
H		Middle Roof	7
P		Support Pole	6

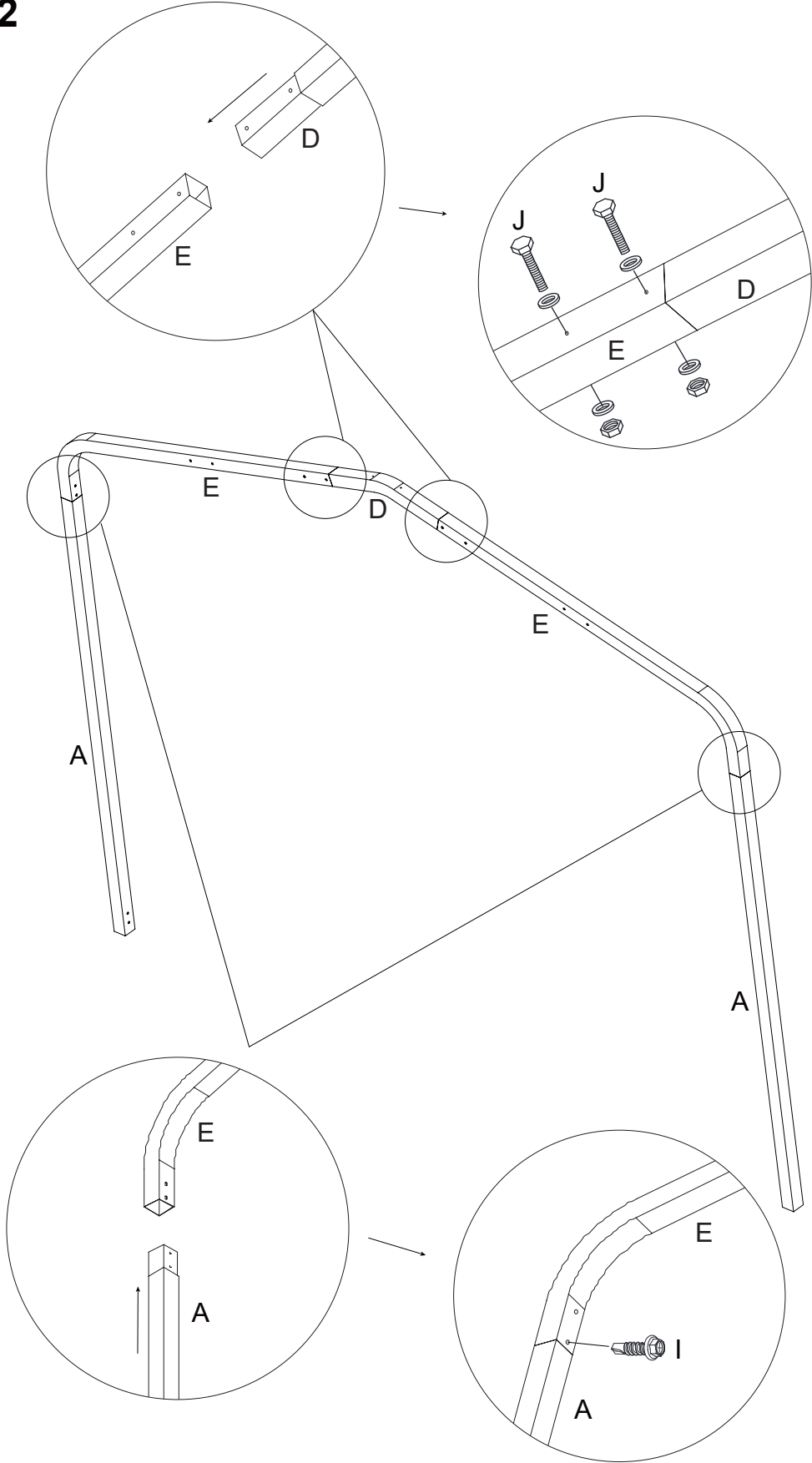
Letter	Illustration	Description	Q'ty
I		Bolt M5*20	152
J		Bolt M6*63	32
K		Stake	6
L		Wrench	2
N		Weather Strip	1
O		Edge Banding	1
M		Sleeve	1
S		Ring	22
R		Curtain	2

# Step 1



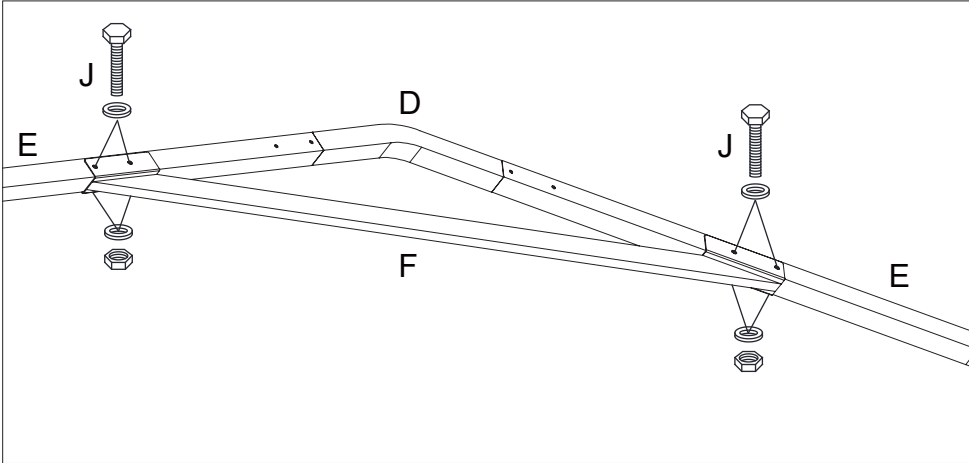
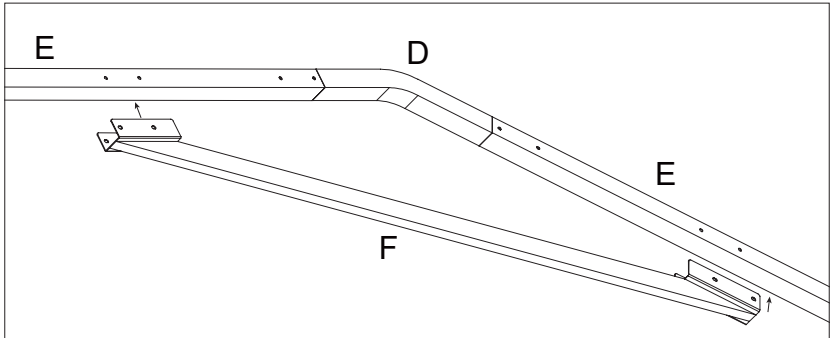
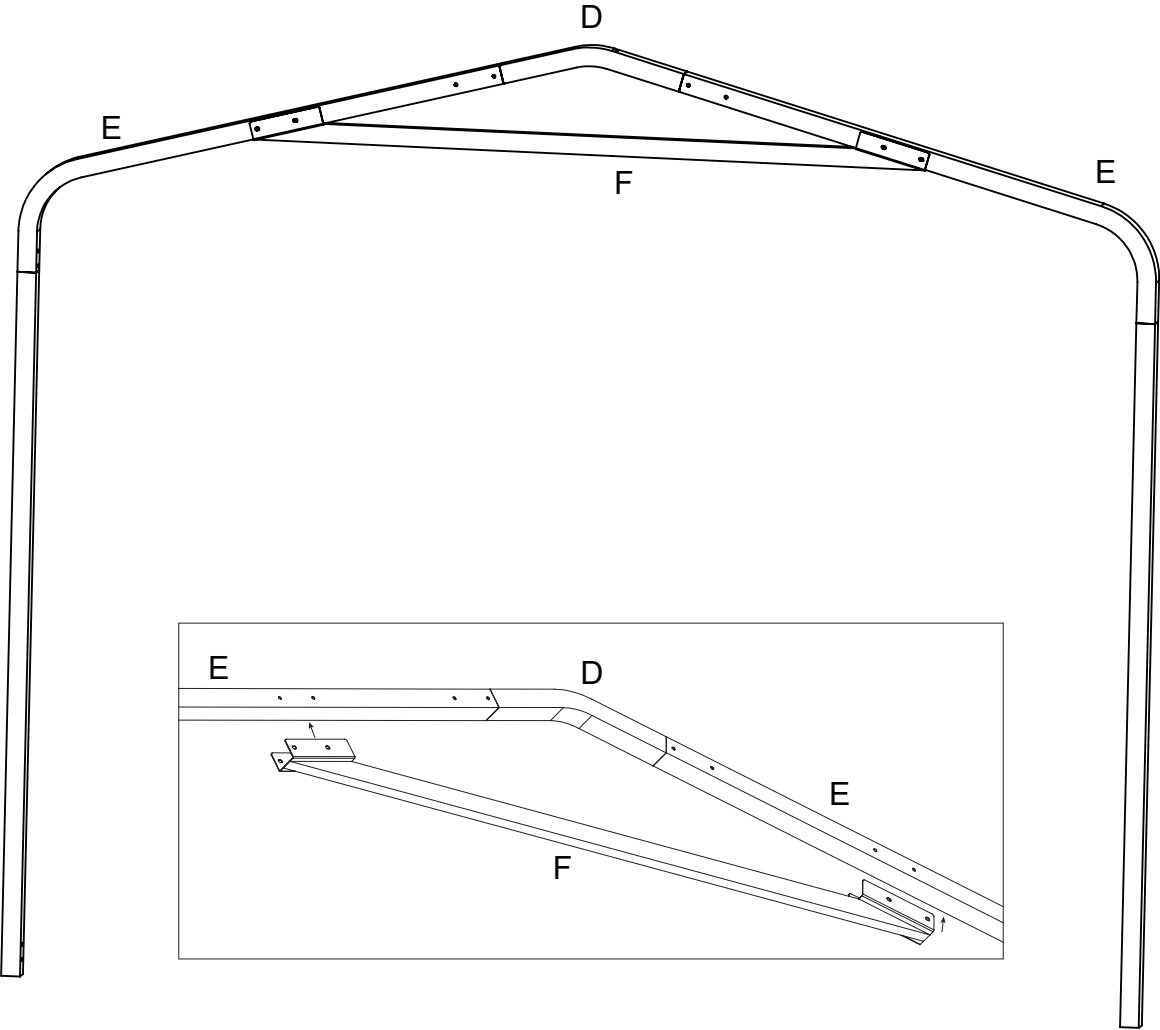
1. Connect the Bottom Tube (B) with the Bottom Tube (C) by using bolts (I).

# Step 2



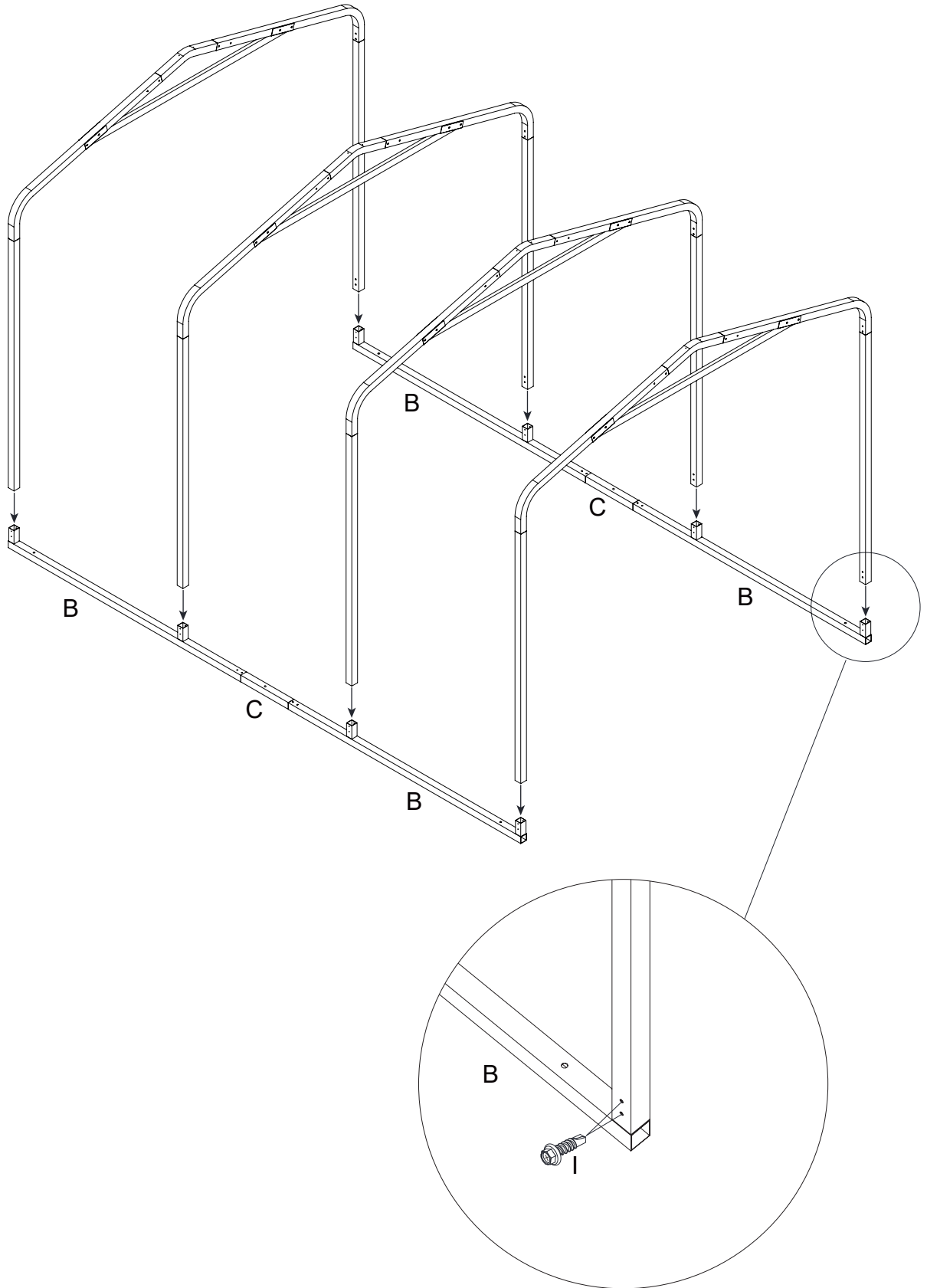
2. Connect the Post (A), Side Tube (E) and the Top Tube (D) together by using bolts (I/J).

# Step 3



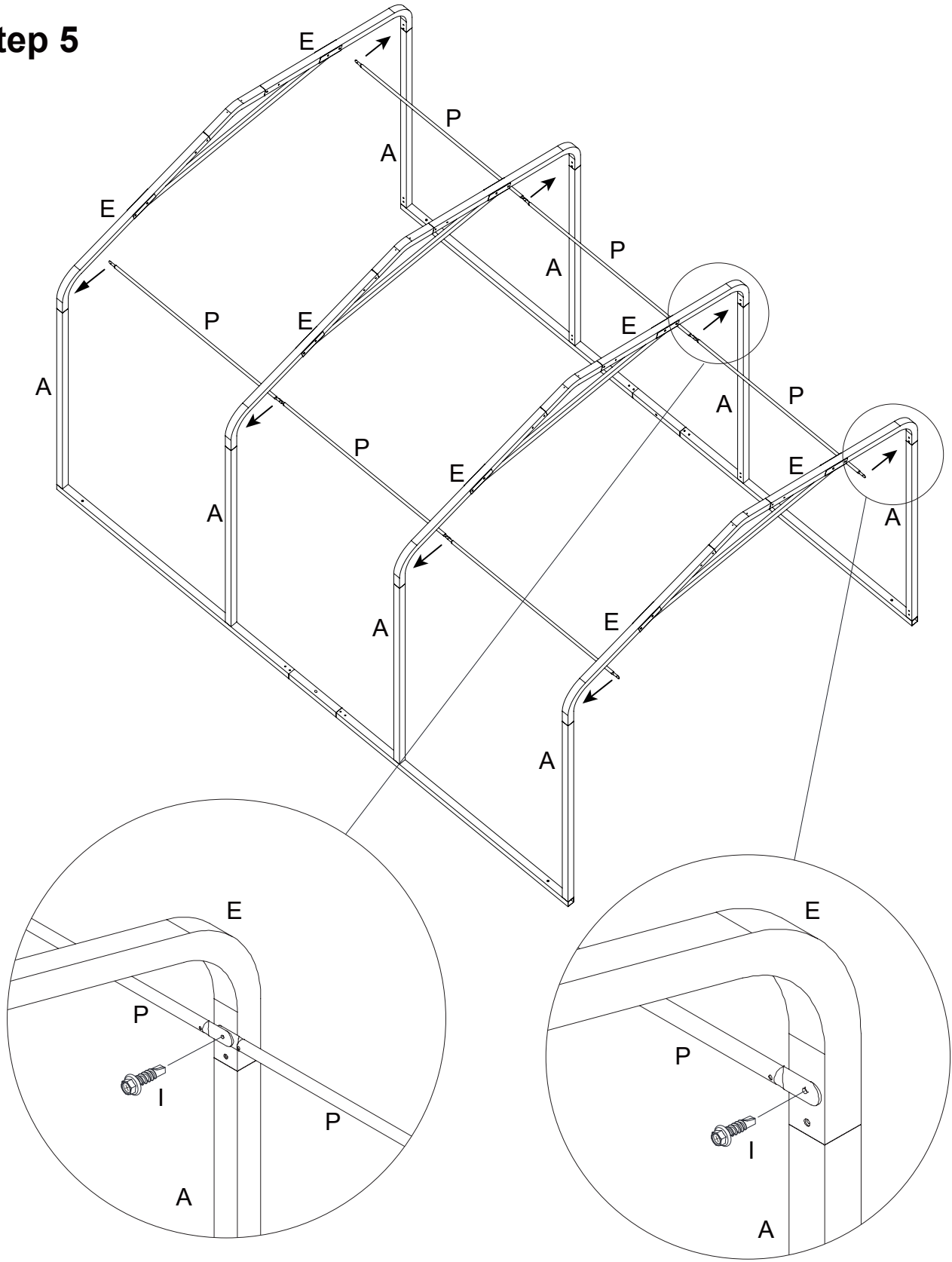
3.Connect the Support Tube (F) to the Side Tube (E) by using bolts (J).

# Step 4



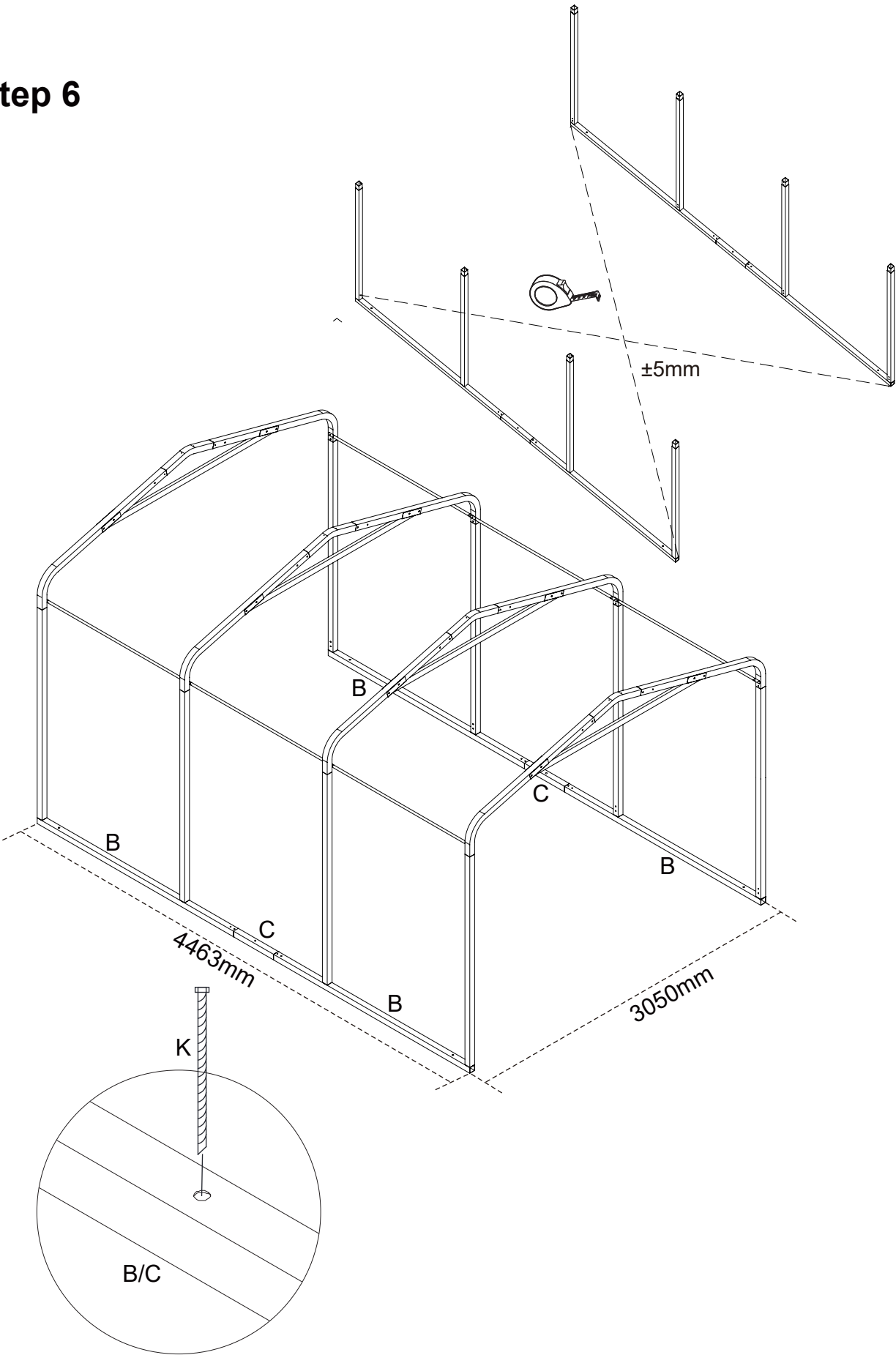
4. Slide the herringbone assembly into the bottom tube assembly (B/C) by using bolts (I).

# Step 5



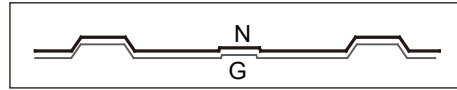
5. Connect the Support Pole (P) and the Side Tube (E) together by using bolts (I).

# Step 6

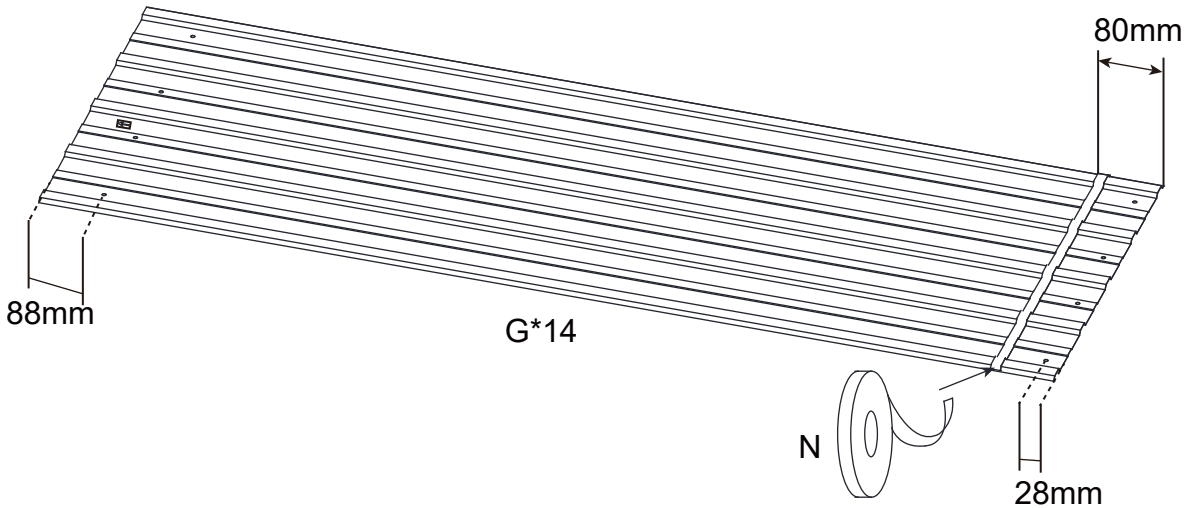


6. Slide the Stake (K) into the Bottom Tube (B/C) to fix it into the ground.  
Note: Be sure measurements diagonally across the overall frame are within 5mm of the same distance after completing this step.

## Step 7

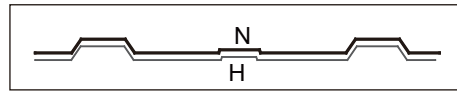


Tips: Use Weather Strip (N) and Bilateral Roof (G) to afix them closely.

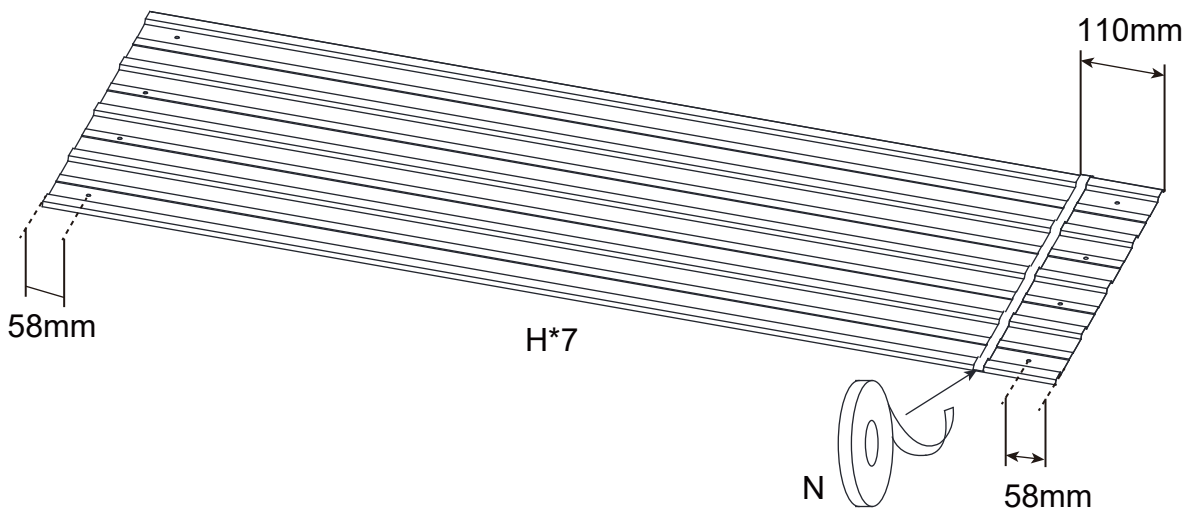


7. Affix the Weather Strip (N) onto the Bilateral Roof (G).  
(Tips: Pay attention to the direction and distance for the strip)

## Step 8

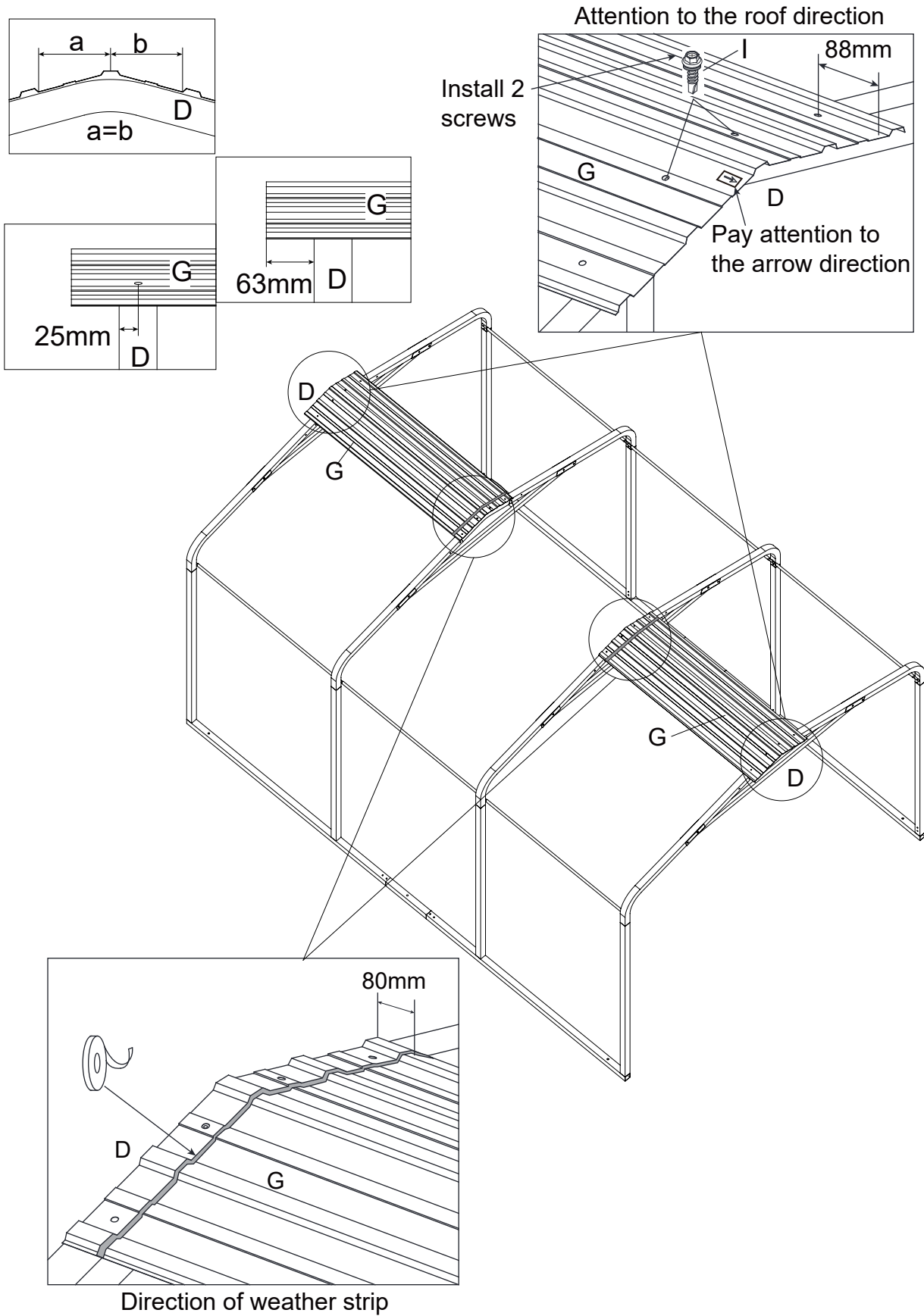


Tips: Use Weather Strip (N) and Bilateral Roof (G) to afix them closely.



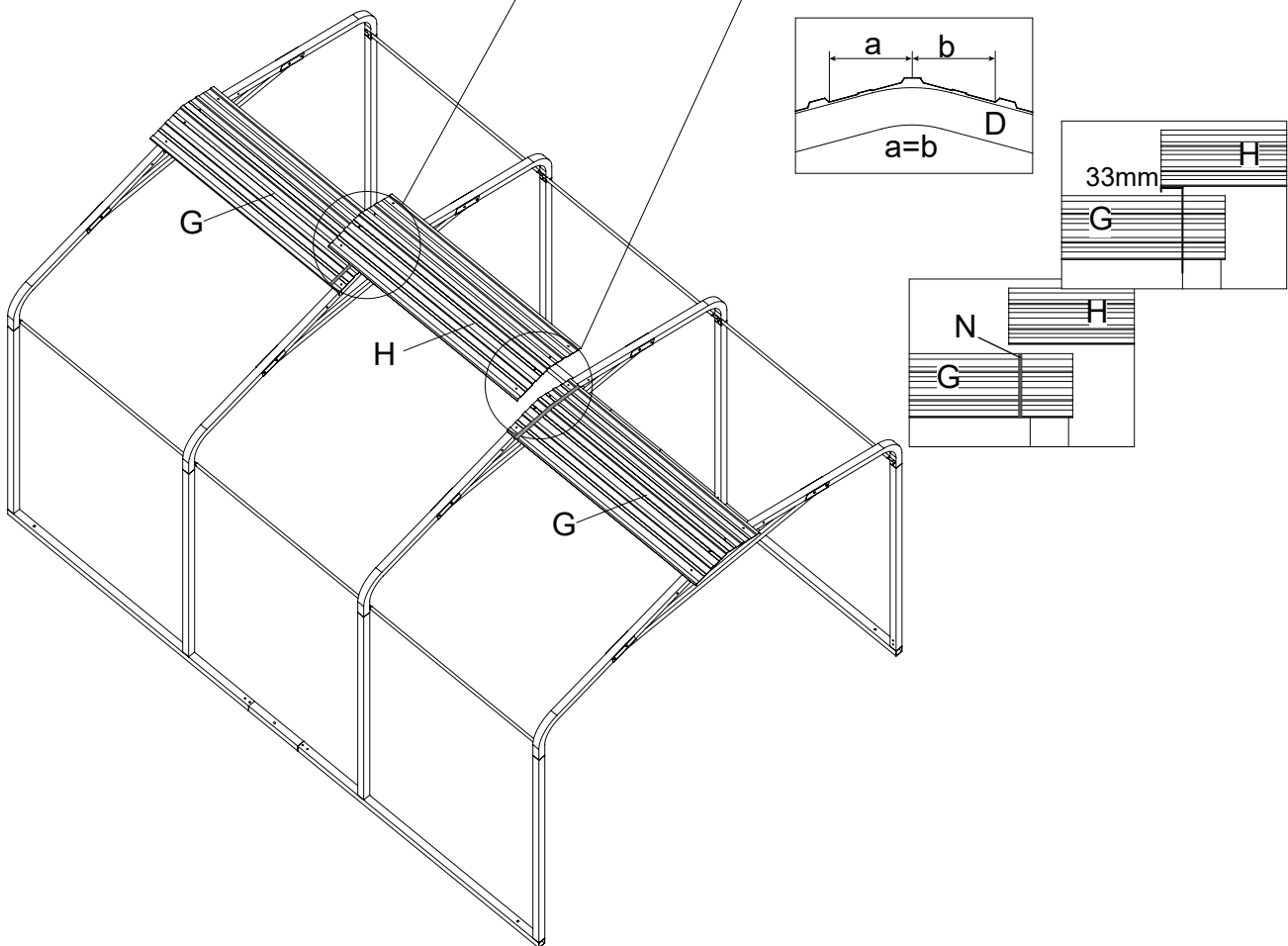
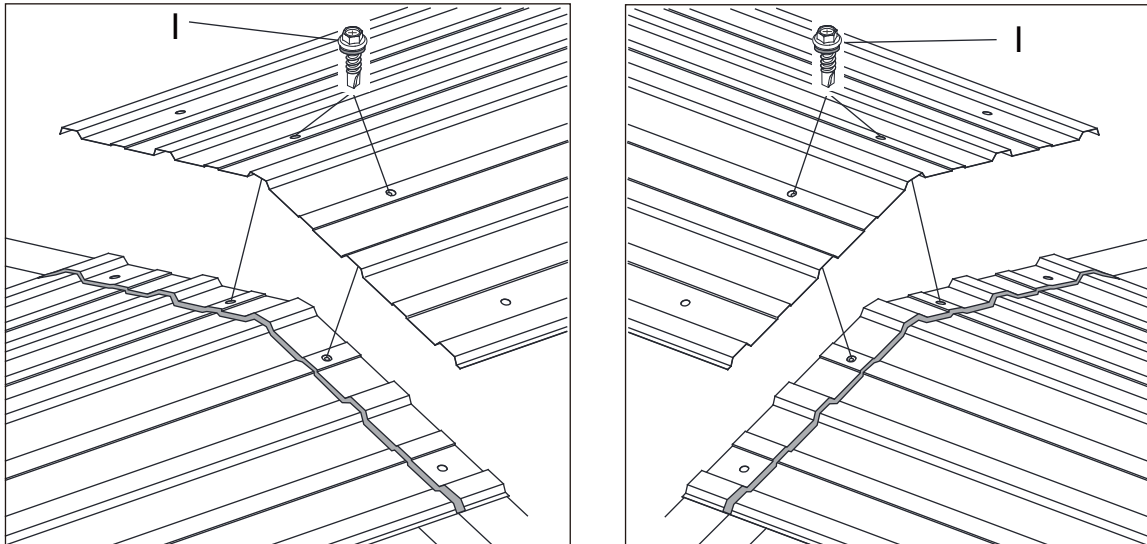
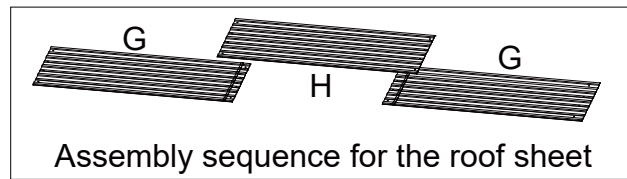
8. Affix the Weather Strip (N) onto the Middle Roof (H) for 7 pieces of roof.  
(Tips: Pay attention to the direction and distance for the strip)

## Step 9



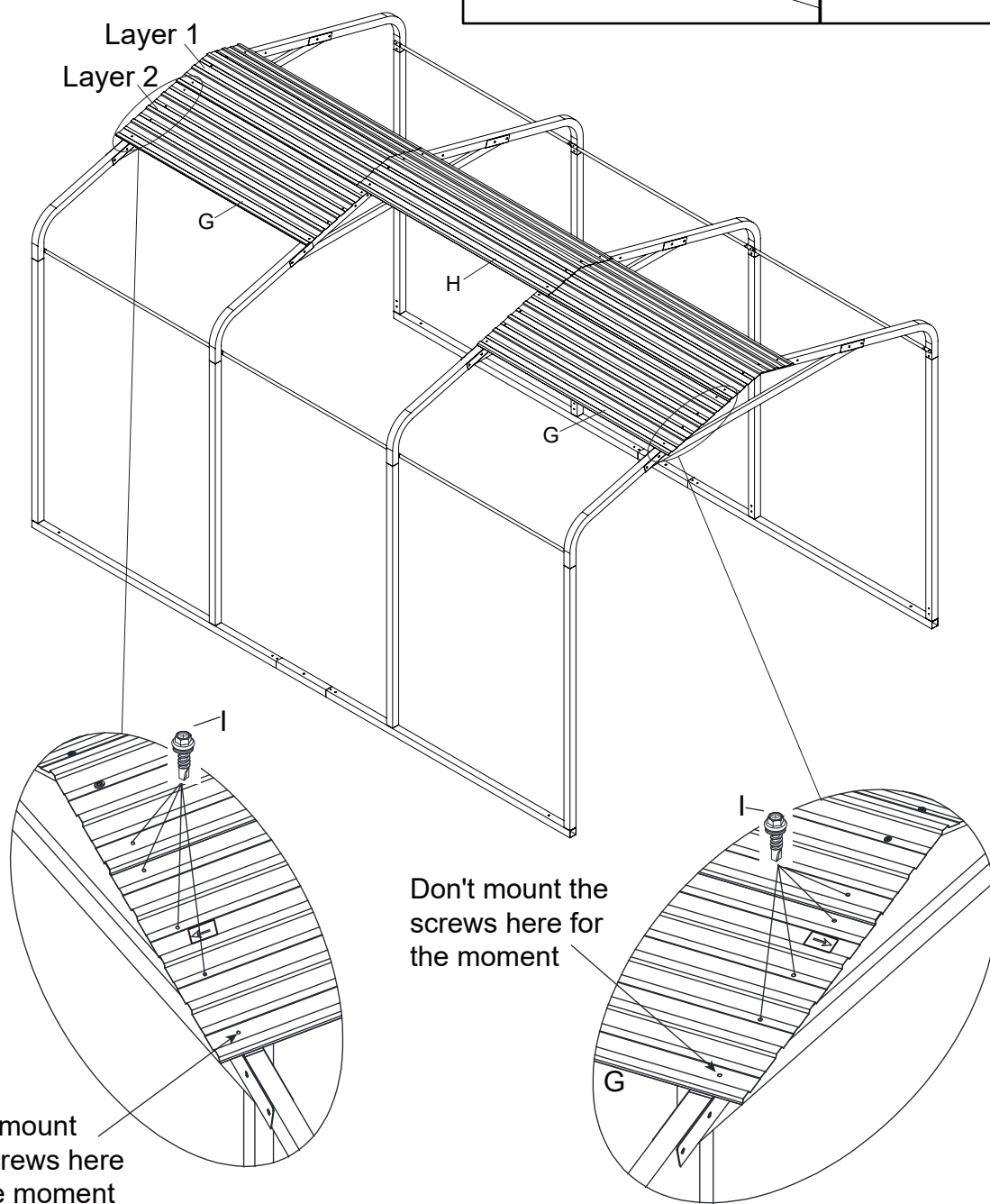
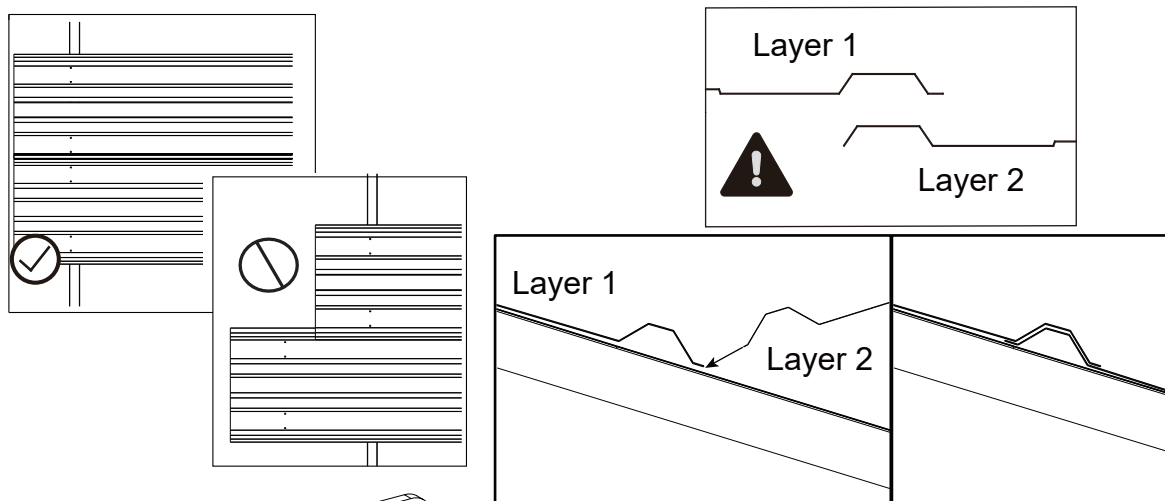
9. Mount the Bilateral Roof (G) onto the Top Tube (D) and fix by using bolts (I).  
Tips: Fix one end of the panels by screws and leave the other end unfixed.

# Step 10



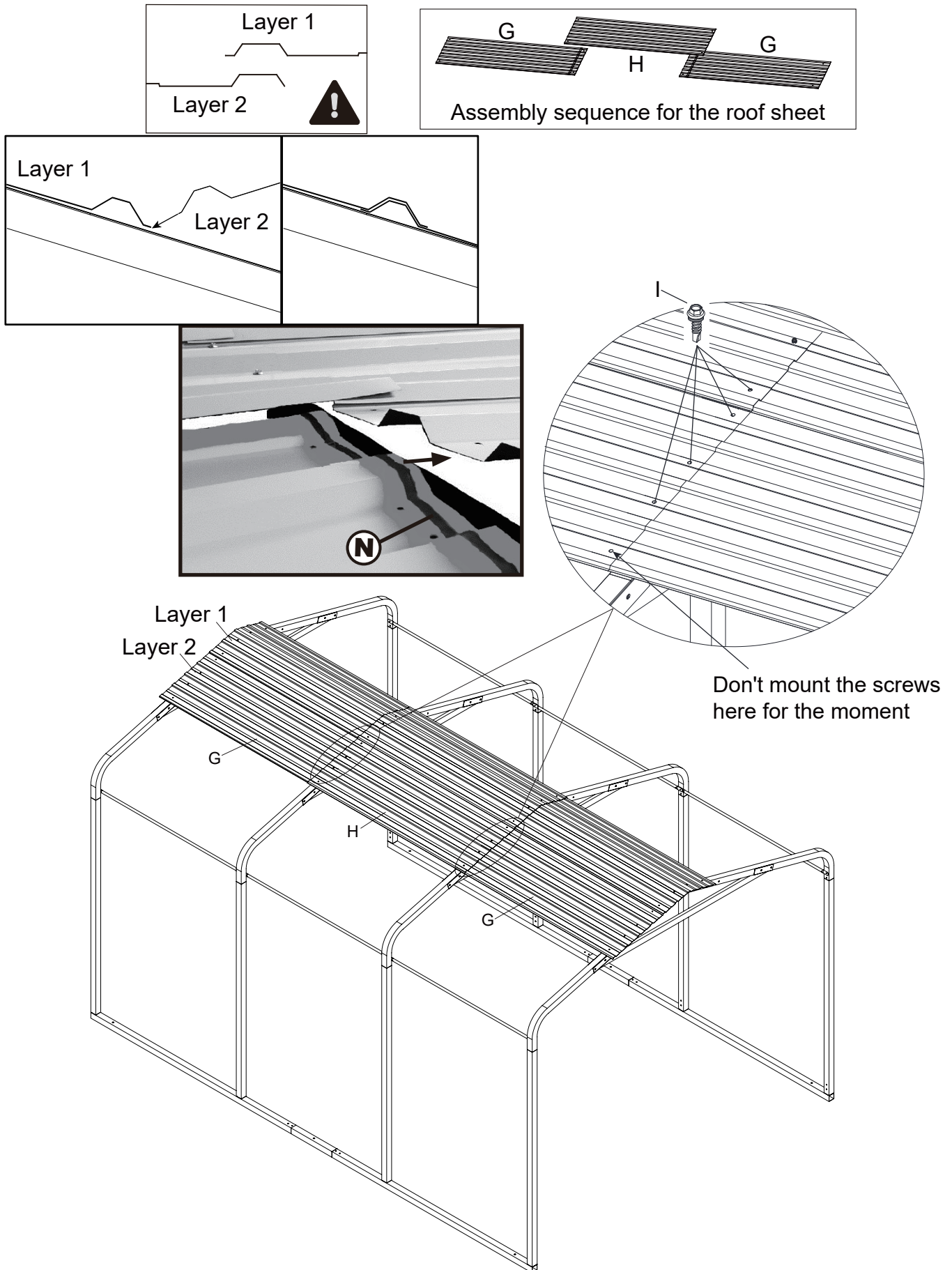
10. Mount the Middle Roof (H) in the order shown in the fig, and fix them onto the Top Tube (D) by using bolts (I).

# Step 11



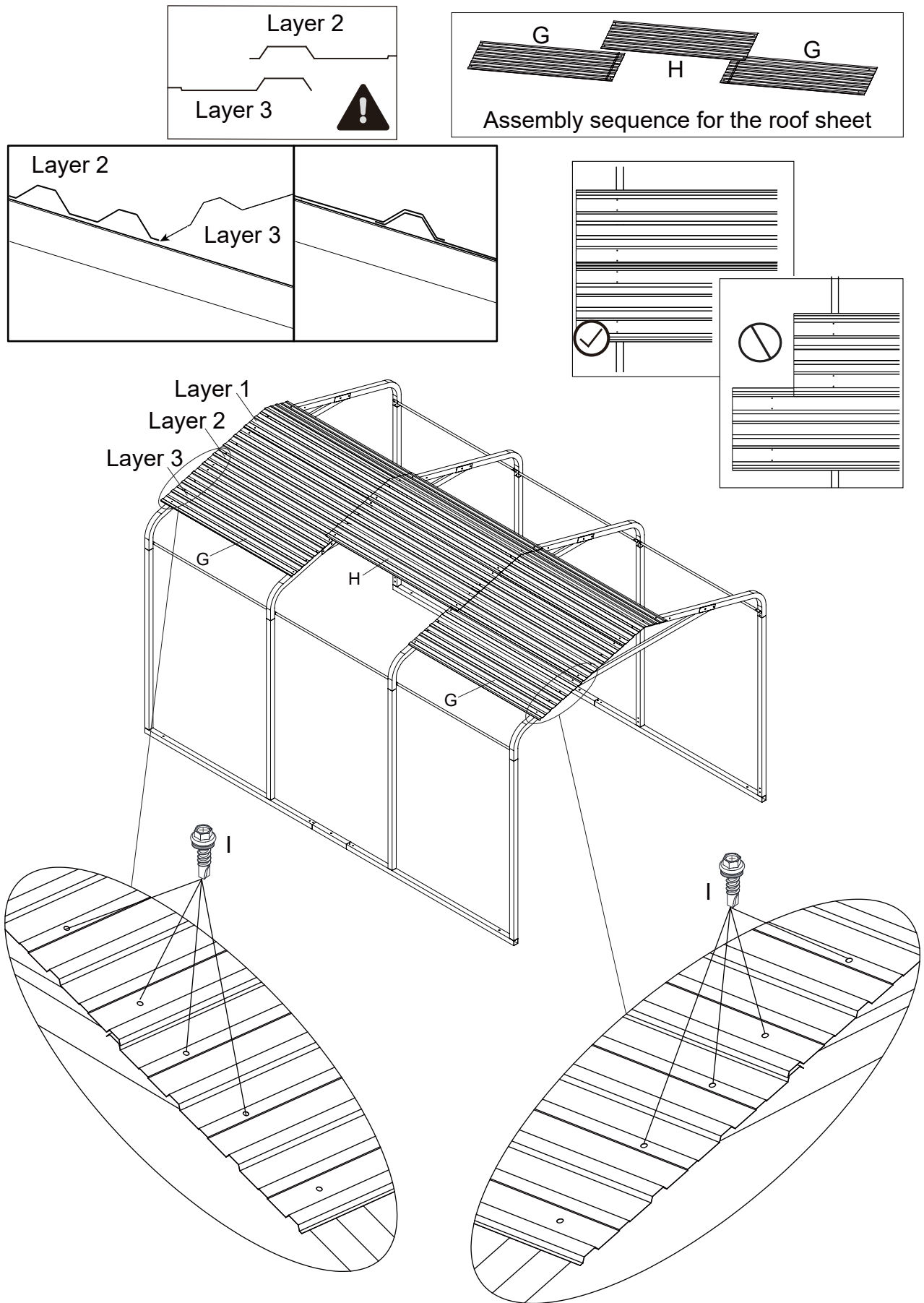
11. Slide the second layer of the roof below the first layer of roof assembly and fix them onto the Top Tube (D) by using bolts (I).  
Tips: Attention to the direction of the weather strip.

## Step 12



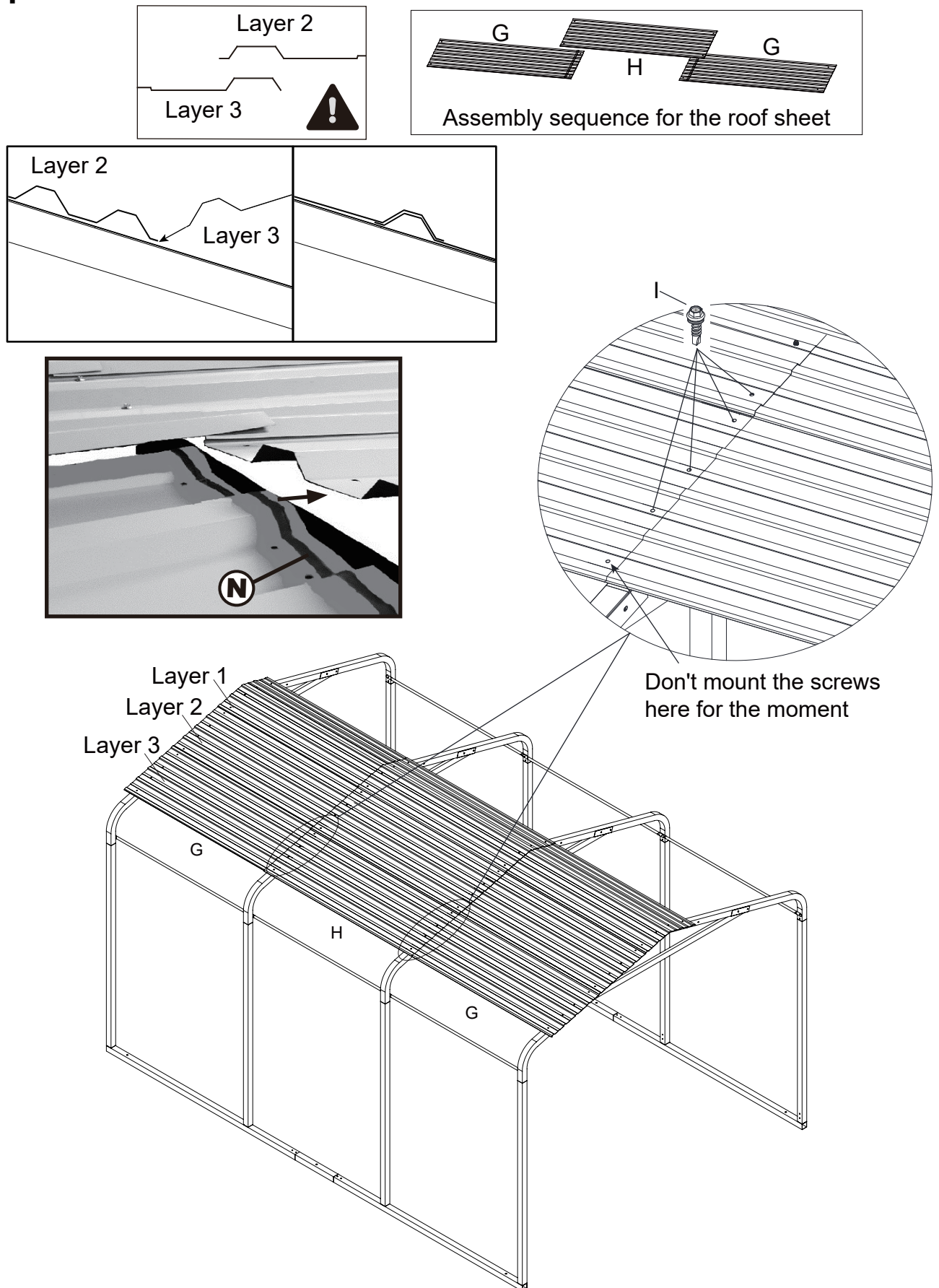
12. Slide the Middle Roof (H) below one side of the previous layer of roof and fix them onto the Top Tube (D) by using bolts (I) based on the order shown above.  
Tips: Attention to the direction of the weather strip.

# Step 13



13. Slide the third layer of the roof below the second layer of roof assembly and fix them onto the Side Tube (E) by using bolts (I).  
Tips: Attention to the direction of the weather strip.

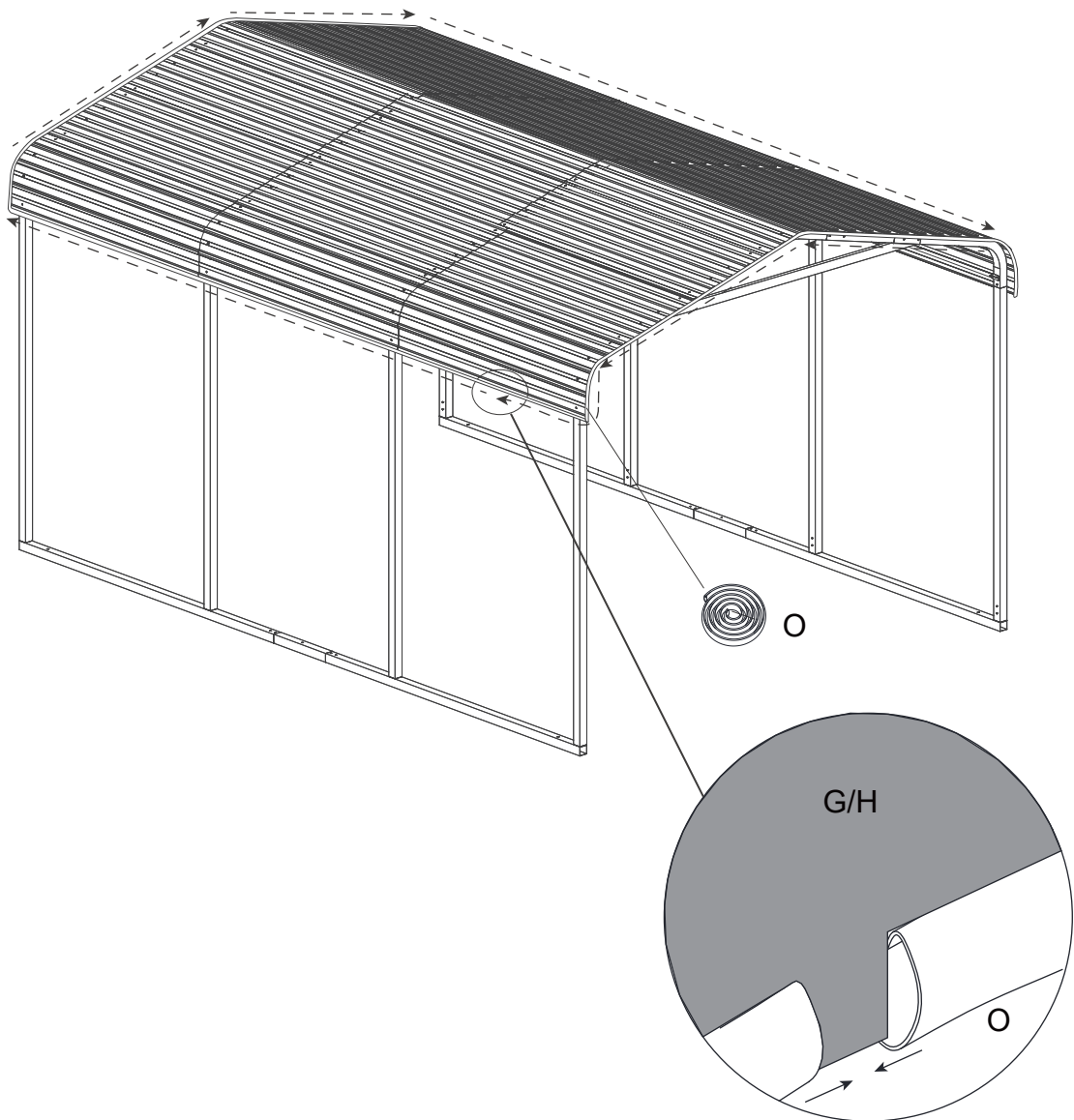
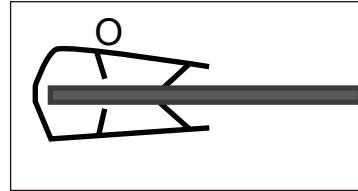
## Step 14



14. Slide the Middle Roof (H) below one side of the previous layer of roof and fix them onto the Side Tube (E) by using bolts (I) based on the order shown above  
Tips: Attention to the direction of the weather strip.

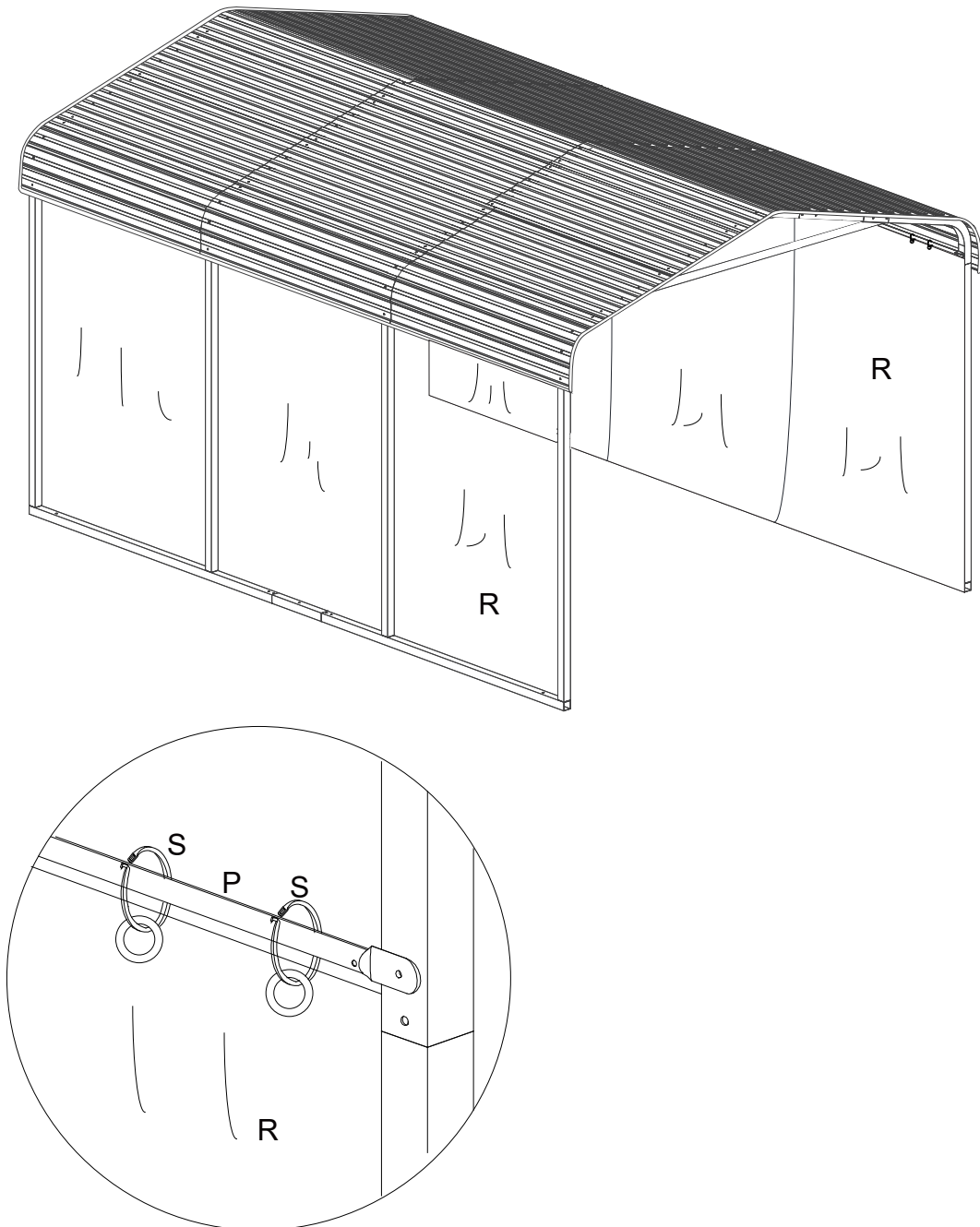


## Step 17



17. Cap the Edge Banding (O) over the roof, after cap the outer round of roof, cut off the Edge Banding (O).

## Step 18



18. Hang the Curtain (R) on the Support Pole (P) through Ring (S), and fix the Curtain (R) on the post by using the felt of the Curtain (R).