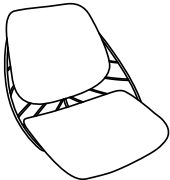
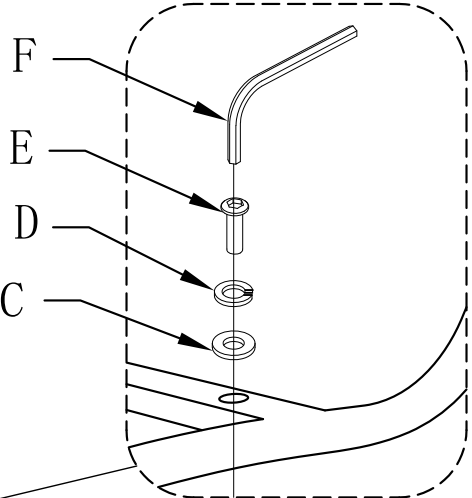
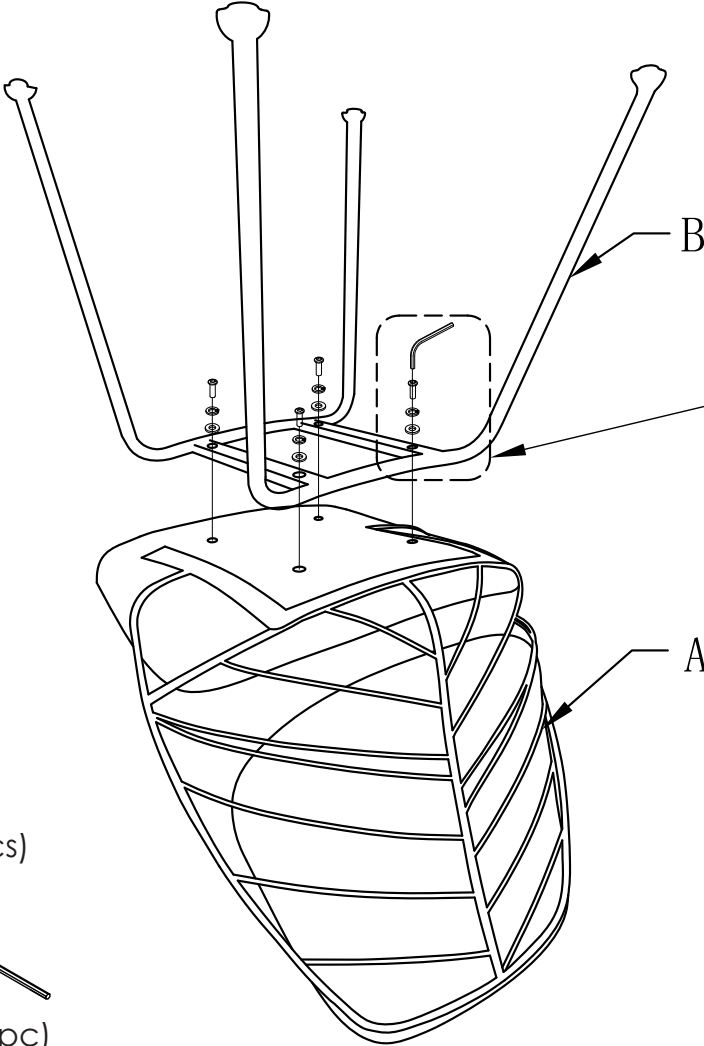
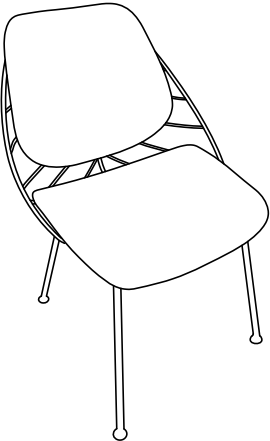
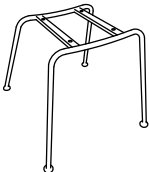


PLEASE NOTE: Check that you have received all components and hardware before assembling.

# Assembly Instructions Side Chair



A (1 pc)



B (1 pc)



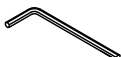
C (4 pcs)



D (4 pcs)



E (4 pcs)  
M6 x 30mm



F (1 pc)  
4mm

During assembly, hand tighten screws only. When the screws are in place, tighten completely.