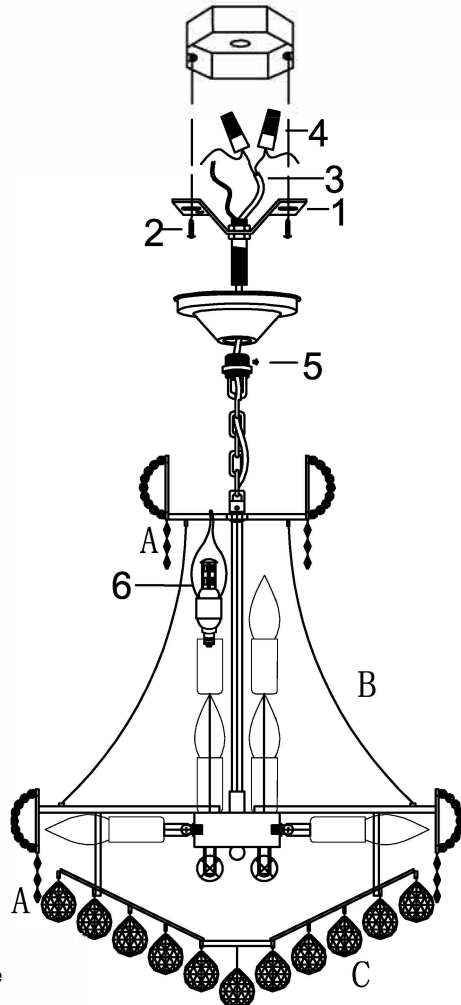


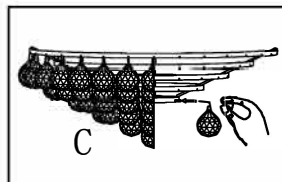
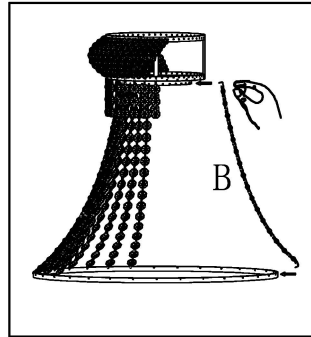
## ASSEMBLY INSTRUCTION

In order to ensure safety use, please notice the following items:

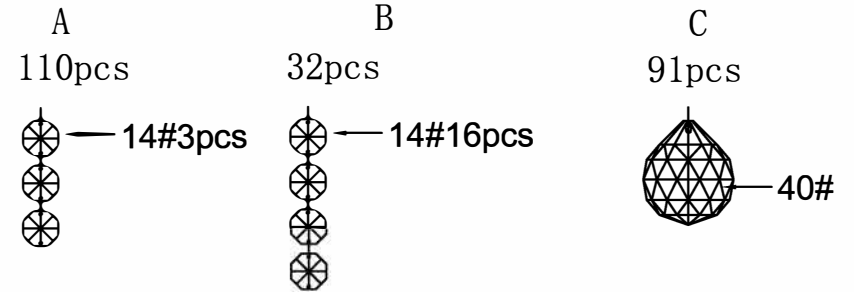
- Read and understand the whole specification .
- Suitable for the use of 110~130V and 60Hz .
- Please wear gloves as installment and avoid rot on the surface of plating .
- Must be installed on the fixed places and be checked annually .
- Please turn off the lighting source by soft cloth as cleaning prohibited to use of rotted detergent .



- 1 Mounting
- 2 Screw
- 3 Main wire
- 4 Junction pole
- 5 Screw
- 6 LED: E12/Max.: 3W
- Others: E12/Max.: 40W



**Caution: Pls bring out all cardboards from box before taking out ceiling lamp to avoid crystal chain breakage.**



**Thank you for buying the Chandelier!**

We hope you will find these instructions helpful in setting up your chandelier .  
If you have any questions with set up, parts replacement or warranty info, please give us a chance to help you , rather than returning your unit to the store.